

US00D549516S

(12) **United States Design Patent**
Since et al.

(10) **Patent No.:** **US D549,516 S**

(45) **Date of Patent:** **** Aug. 28, 2007**

(54) **ROASTER**

(76) Inventors: **Guillaume Jean Since**, 803, Block A, Po Lung Centre, 11, Wang Chiu Road, Kowloon Bay, Kowloon (HK); **Chung Kan Chau**, 803, Block A, Po Lung Centre, 11, Wang Chiu Road, Kowloon Bay, Kowloon (HK)

(**) **Term:** **14 Years**

(21) **Appl. No.:** **29/276,550**

(22) **Filed:** **Jan. 29, 2007**

(51) **LOC (8) Cl.** **07-02**

(52) **U.S. Cl.** **D7/352**

(58) **Field of Classification Search** D7/323, D7/328-332, 334-339, 352-363; 99/219, 99/331, 339-341, 349, 357, 369, 372-375, 99/385, 386, 389, 424, 425, 444, 446, 466, 99/601, 618, 620; 219/524, 525, 620-622, 219/732-734; 220/23.8

See application file for complete search history.

(56) **References Cited**

U.S. PATENT DOCUMENTS

D367,993	S	*	3/1996	McClellan	D7/352
5,845,562	A	*	12/1998	Deni et al.	99/375
5,848,567	A	*	12/1998	Chiang	99/375
D409,876	S	*	5/1999	Gruaz	D7/352
D413,760	S	*	9/1999	Tsai et al.	D7/352
6,016,741	A	*	1/2000	Tsai et al.	99/341
D446,074	S	*	8/2001	Barker	D7/352
D446,679	S	*	8/2001	Lin	D7/352
6,397,733	B1	*	6/2002	Lin	99/375
D462,228	S	*	9/2002	Wu	D7/352
D462,229	S	*	9/2002	Wu	D7/352
D462,230	S	*	9/2002	Wu	D7/352
D462,566	S	*	9/2002	Wu	D7/352
D464,230	S	*	10/2002	Wu	D7/352

D473,417	S	*	4/2003	Martres	D7/352
D475,237	S	*	6/2003	Lin	D7/352
D493,663	S	*	8/2004	Lin et al.	D7/347
D494,407	S	*	8/2004	Lin et al.	D7/347
D511,928	S	*	11/2005	Sawhney et al.	D7/352
D521,310	S	*	5/2006	Lin	D7/352
D522,306	S	*	6/2006	Wilgus et al.	D7/337
D522,802	S	*	6/2006	Dreimann et al.	D7/352
D526,153	S	*	8/2006	Weiwen	D7/352
D526,154	S	*	8/2006	Dreimann et al.	D7/352
D533,392	S	*	12/2006	Yeung	D7/352
2005/0139086	A1	*	6/2005	McHutchison	99/389

* cited by examiner

Primary Examiner—Cathron C. Brooks

Assistant Examiner—Ricky Pham

(74) *Attorney, Agent, or Firm*—Needle & Rosenberg, P.C.

(57) **CLAIM**

The ornamental design for the roaster, as shown.

DESCRIPTION

FIG. 1 is a front elevational view of a roaster of the present invention;

FIG. 2 is a back elevational view of the roaster of FIG. 1;

FIG. 3 is a left side elevational view of the roaster of FIG. 1;

FIG. 4 is a right side elevational view of the roaster of FIG. 1;

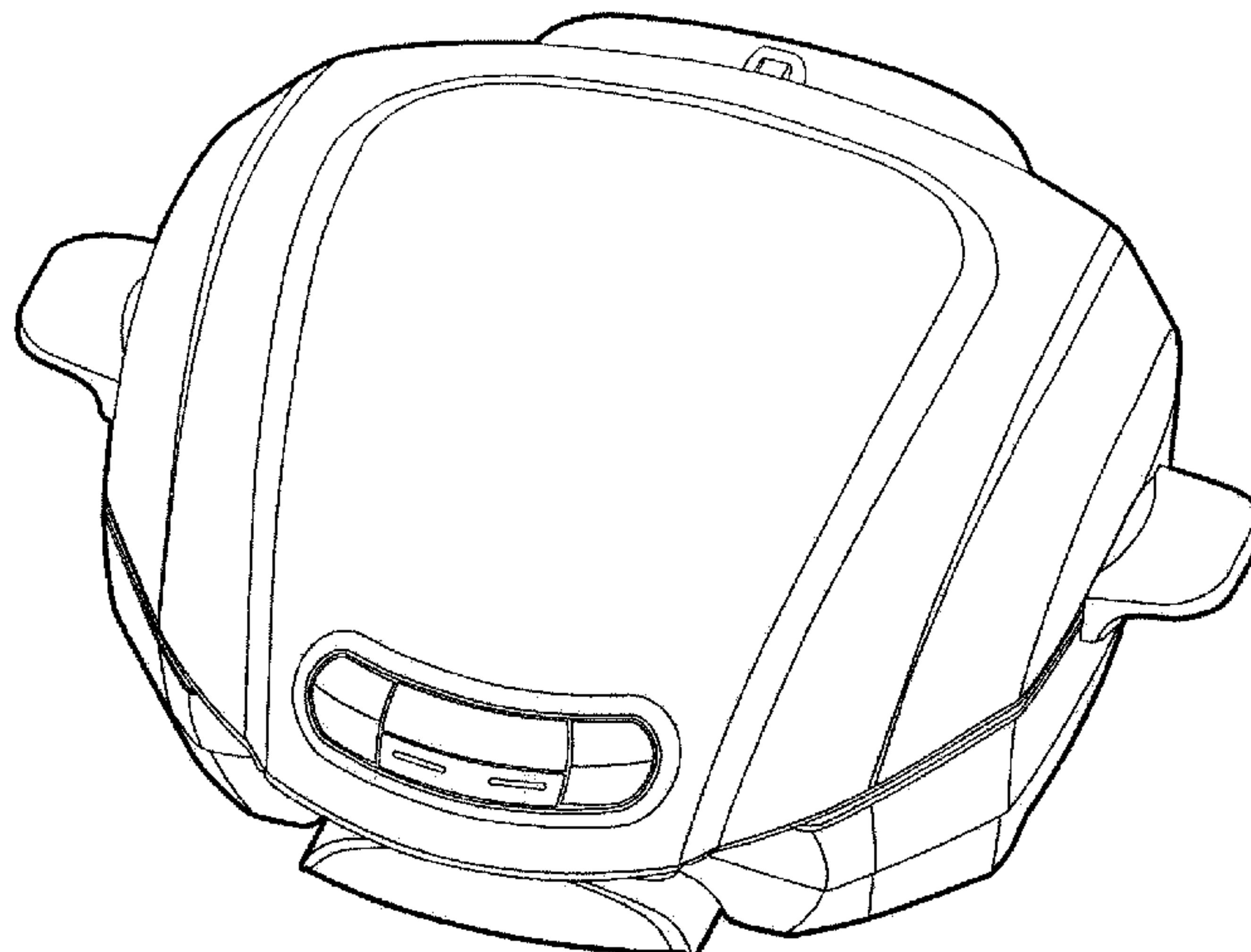
FIG. 5 is a top plan view of the roaster of FIG. 1;

FIG. 6 is a bottom plan view of the roaster of FIG. 1;

FIG. 7 is a front top perspective view of the roaster of FIG. 1; and,

FIG. 8 is a back top perspective view of the roaster of FIG. 1.

1 Claim, 6 Drawing Sheets



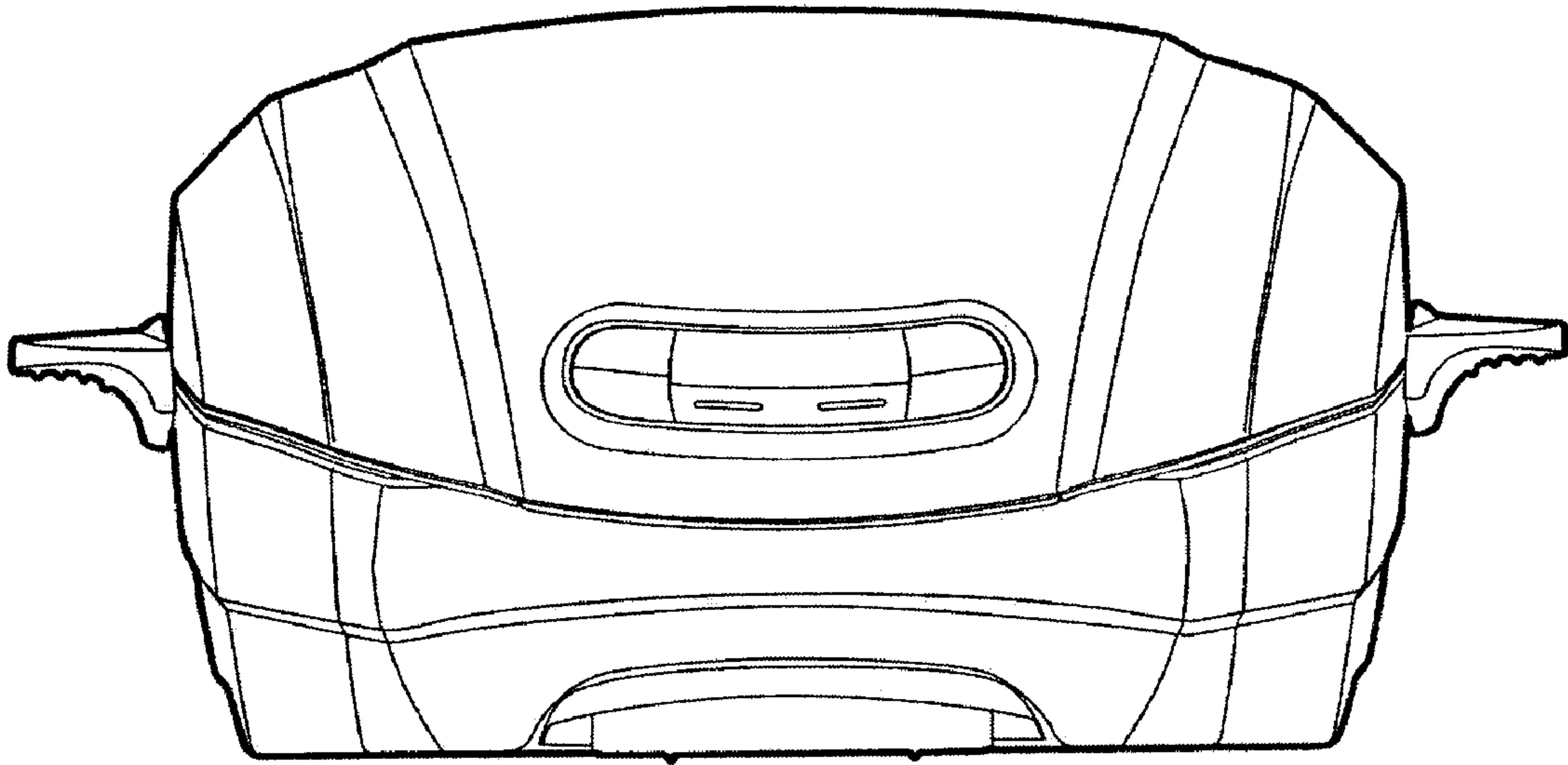


FIGURE 1

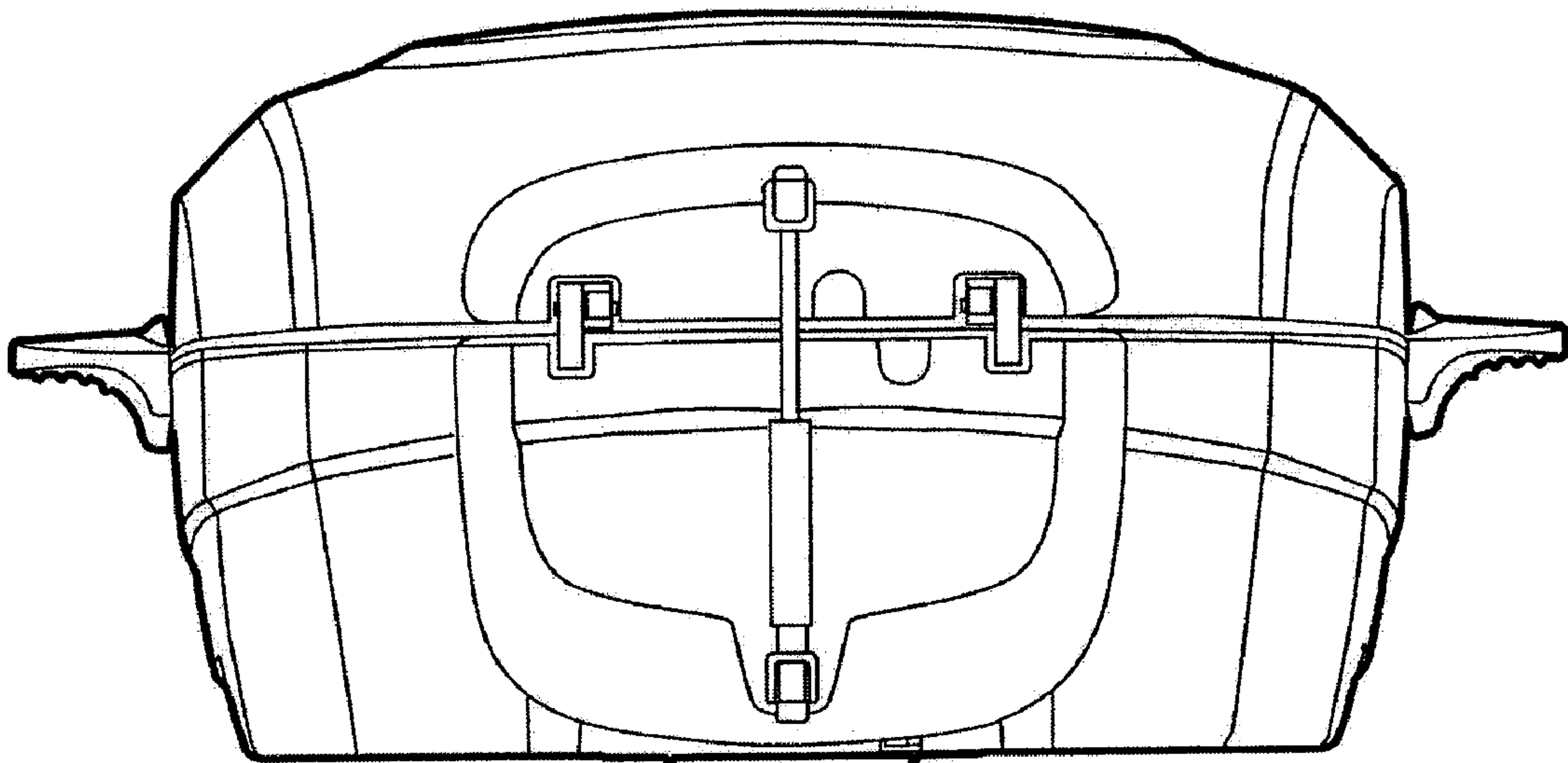


FIGURE 2

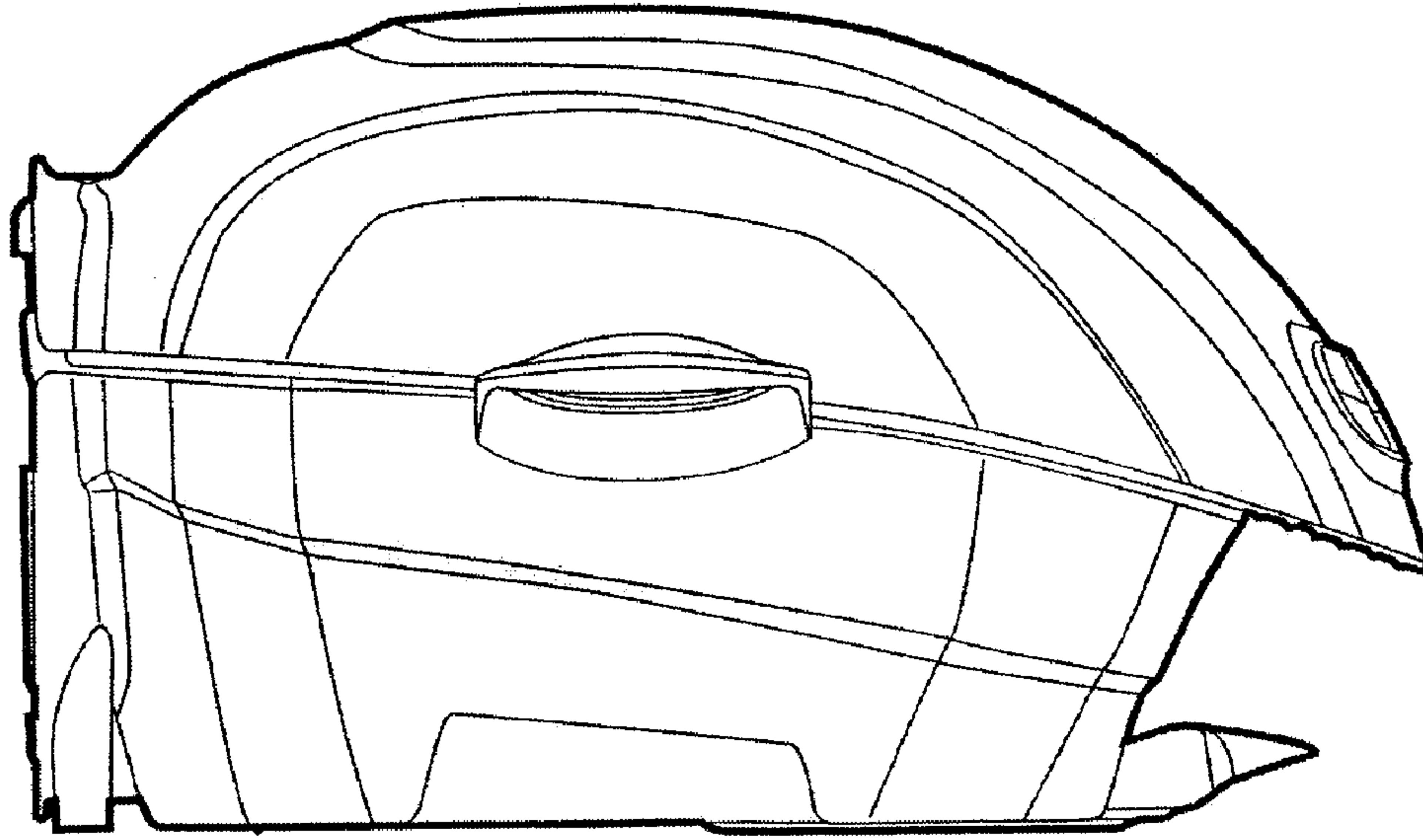


FIGURE 3

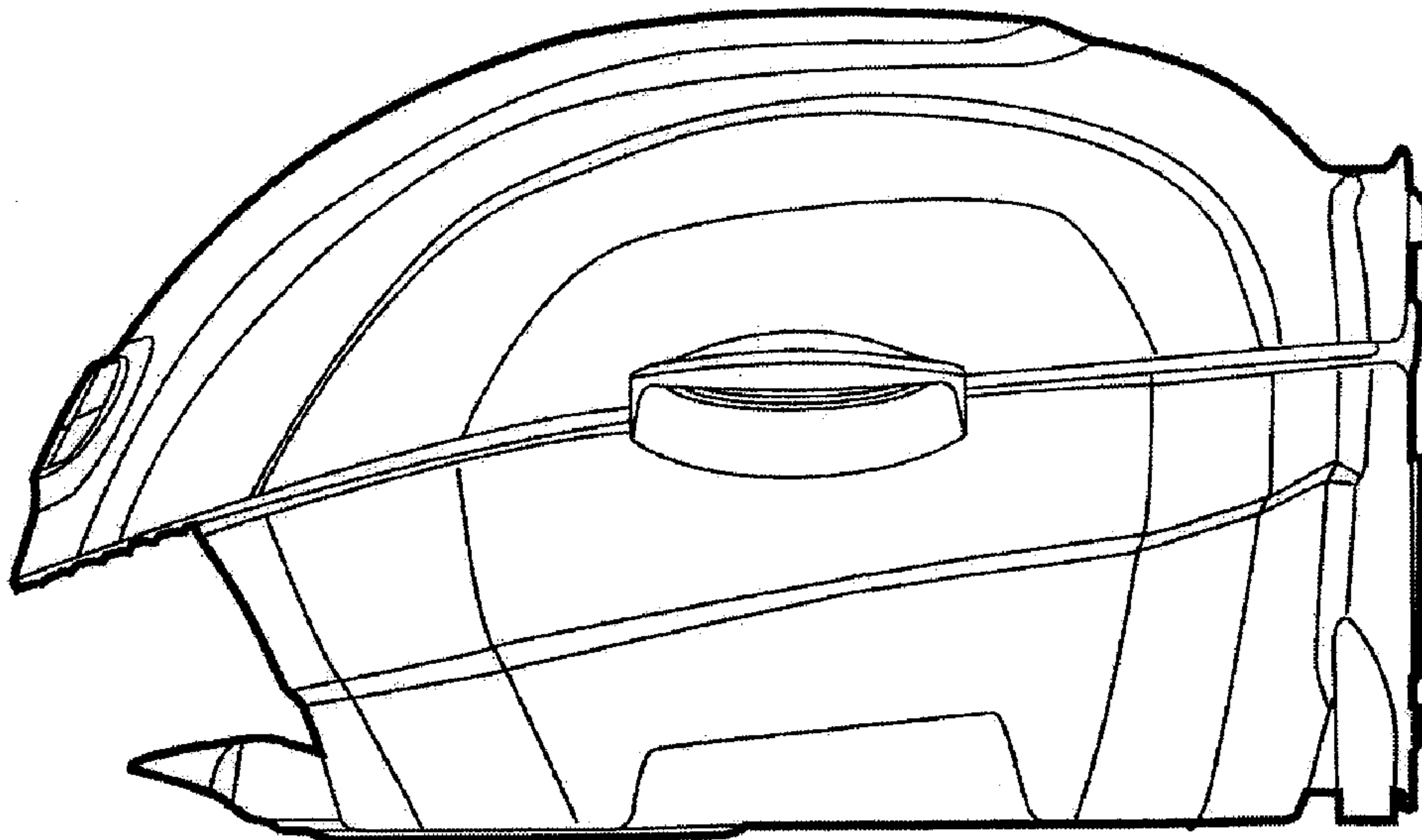


FIGURE 4

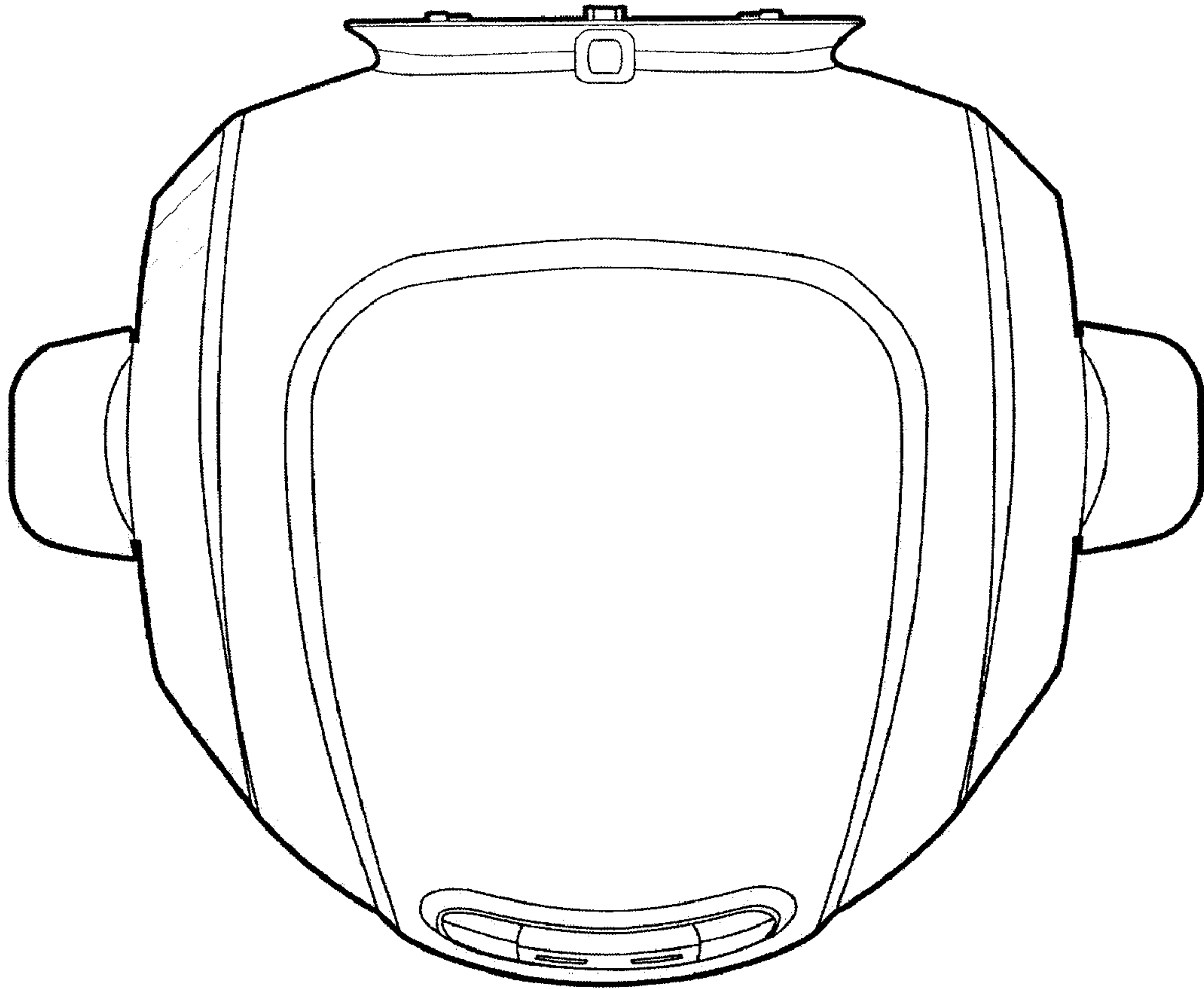


FIGURE 5

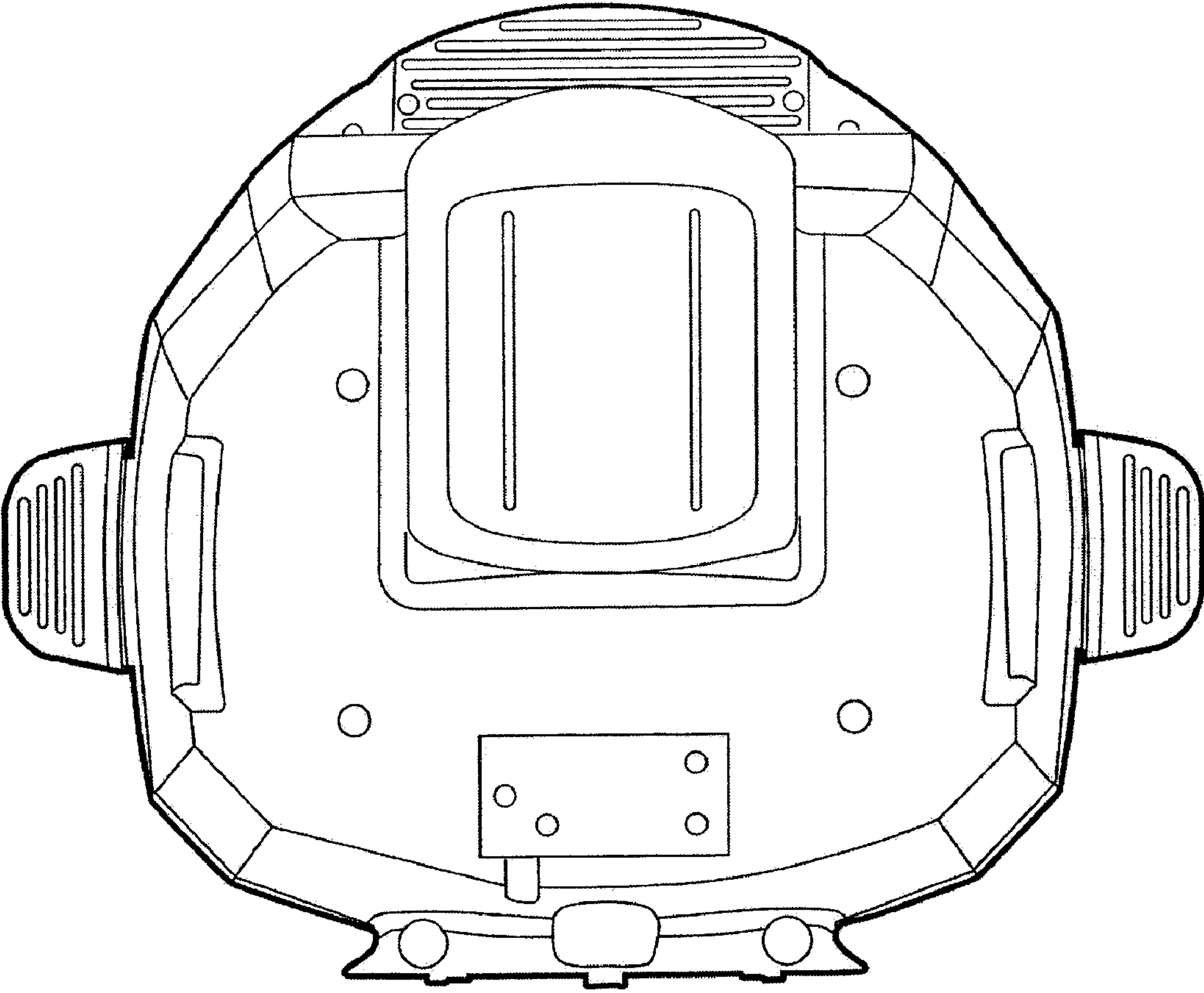


FIGURE 6

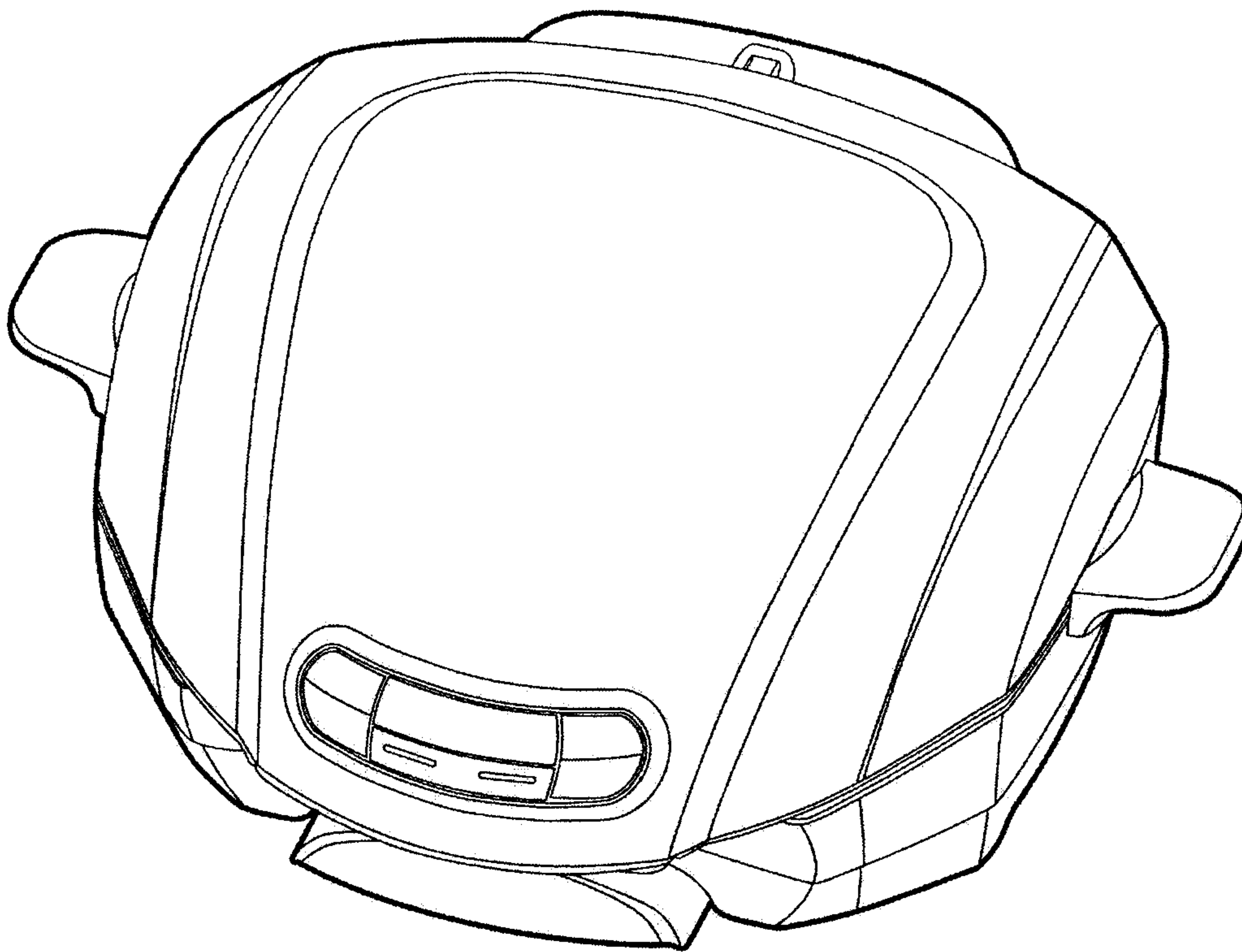


FIGURE 7

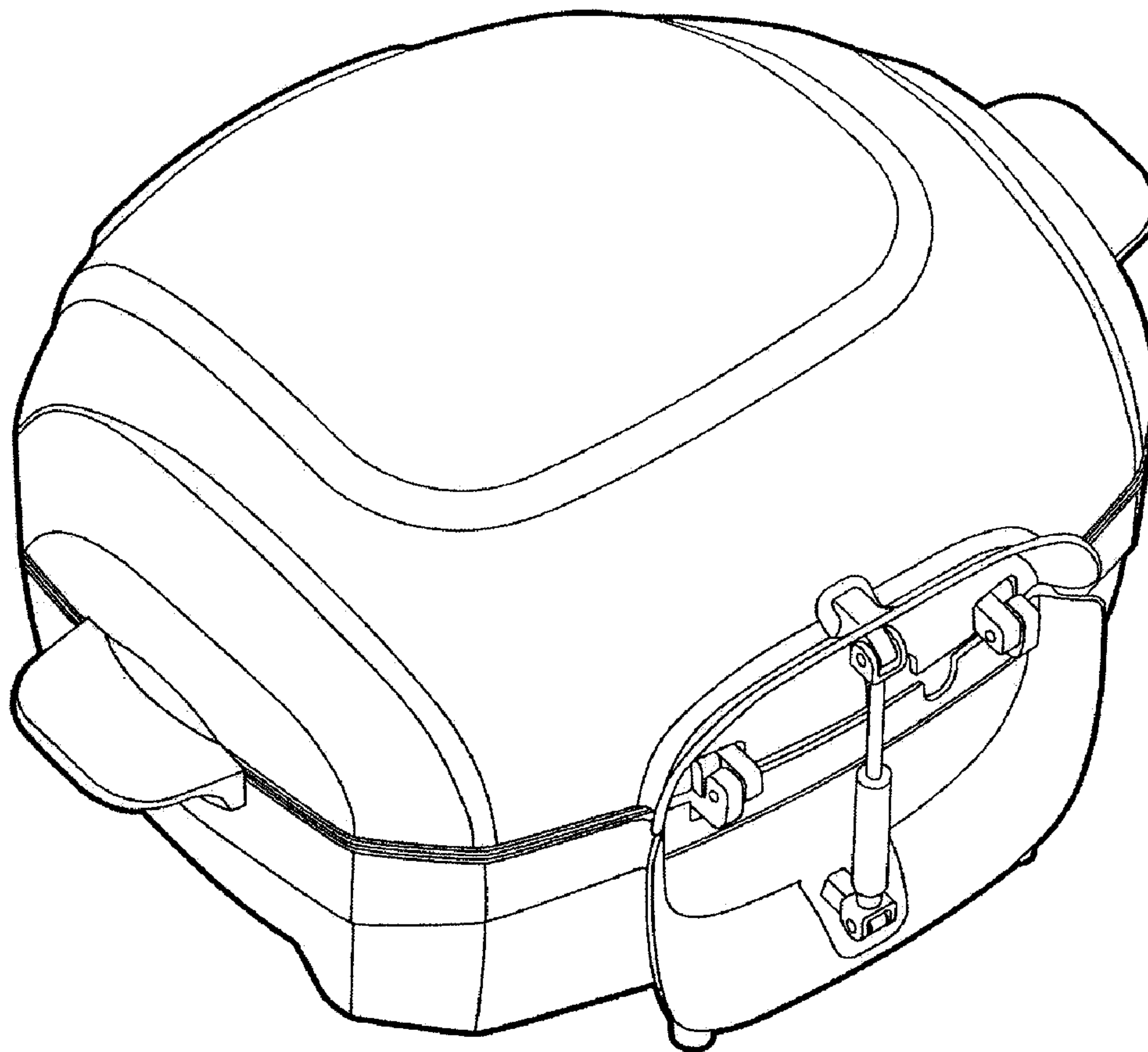


FIGURE 8