

US00D549515S

(12) **United States Design Patent**
Curtin et al.

(10) **Patent No.:** **US D549,515 S**

(45) **Date of Patent:** **** Aug. 28, 2007**

(54) **BREAKFAST SANDWICH MAKER**

D473,417 S * 4/2003 Martres D7/352
D533,392 S * 12/2006 Yeung D7/352

(75) Inventors: **Heather Curtin**, Renton, WA (US);
Kurt Maclaurin, Arlington, MA (US)

* cited by examiner

(73) Assignee: **Progressive International Corp.**, Kent,
WA (US)

Primary Examiner—Cathron C. Brooks

Assistant Examiner—Ricky Pham

(74) *Attorney, Agent, or Firm*—Black Lowe & Graham,
PLLC

(**) Term: **14 Years**

(21) Appl. No.: **29/249,199**

(57) **CLAIM**

(22) Filed: **Sep. 26, 2006**

I claim the ornamental design for the breakfast sandwich maker, as shown and described.

(51) **LOC (8) Cl.** **07-02**

(52) **U.S. Cl.** **D7/352**

(58) **Field of Classification Search** D7/323,
D7/328–332, 334–339, 352–363; 99/219,
99/331, 339, 349, 357, 369, 372–375, 385,
99/386, 389, 424, 425, 444, 446, 466, 601,
99/618, 620; 219/524, 525, 620–622, 732–734;
220/23.8

See application file for complete search history.

DESCRIPTION

FIG. 1 is a front view of a breakfast sandwich maker, showing the lid portion secured to the tray portion;

FIG. 2 is a top view of the breakfast sandwich maker;

FIG. 3 is a bottom view of the breakfast sandwich maker;

FIG. 4 is a back view of the breakfast sandwich maker;

FIG. 5 is a left side view of the breakfast sandwich maker;

FIG. 6 is a right side view of the breakfast sandwich maker;

FIG. 7 is a top perspective view of the breakfast sandwich maker;

FIG. 8 is a top view of the breakfast sandwich maker, showing the tray with the lid removed from completeness of illustration; and,

FIG. 9 is an exploded perspective view of the breakfast sandwich maker.

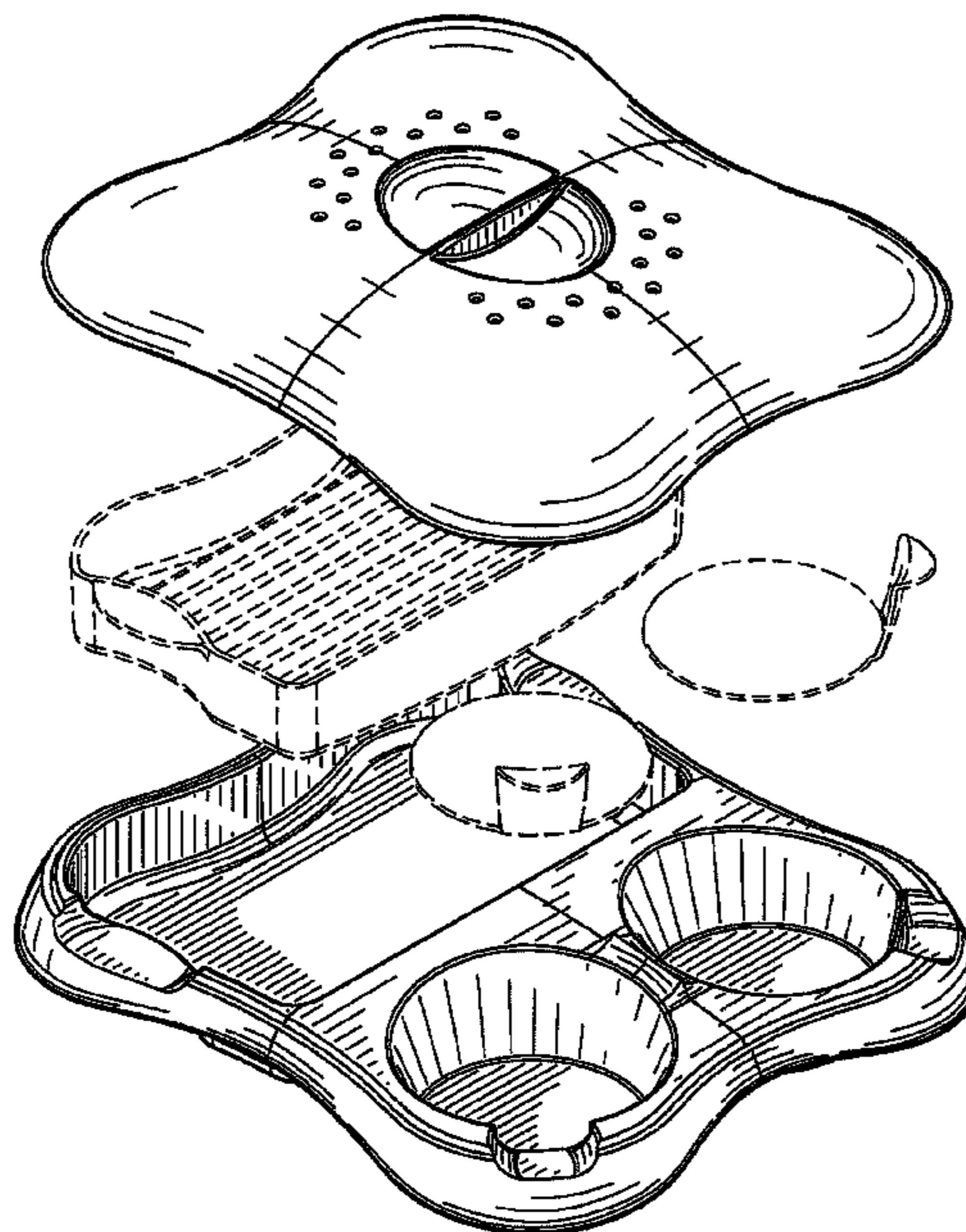
The broken lines shown in the drawings are for illustrative purposes only and form no part of the claimed design.

(56) **References Cited**

U.S. PATENT DOCUMENTS

323,887	A *	8/1885	Rutter	249/119
608,144	A *	7/1898	Porter	220/23.8
1,505,675	A *	8/1924	Stirn	99/339
1,609,201	A *	11/1926	Richmond et al.	99/424
1,918,051	A *	7/1933	McArdle	99/357
1,957,133	A *	5/1934	Davis	99/424
D346,304	S *	4/1994	Naft et al.	D7/352
D405,312	S *	2/1999	Hoare	D7/352
D445,630	S *	7/2001	Hsu	D7/352
D446,074	S *	8/2001	Barker	D7/352
D453,658	S *	2/2002	Brady et al.	D7/352

1 Claim, 5 Drawing Sheets



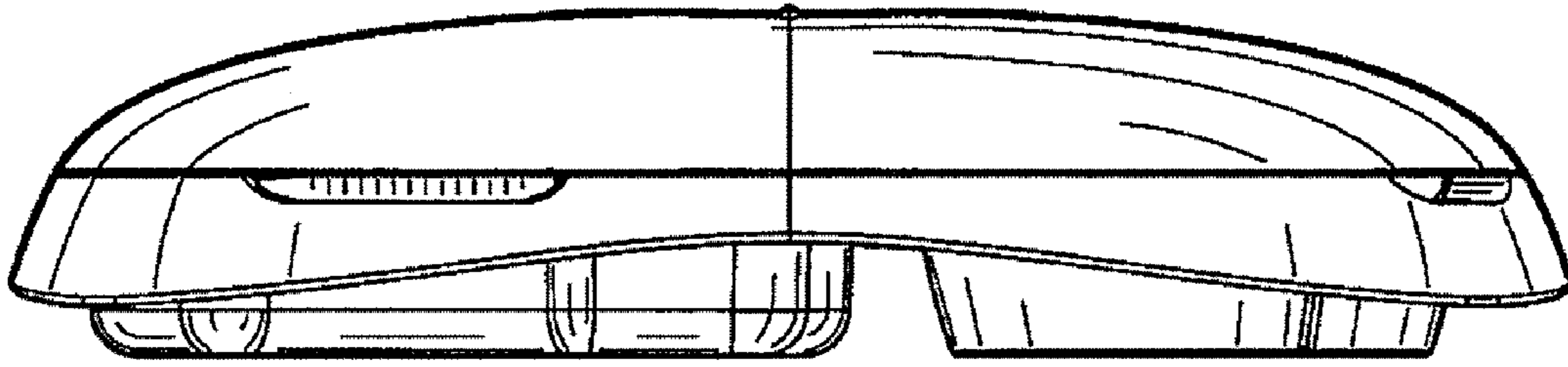


FIG.1

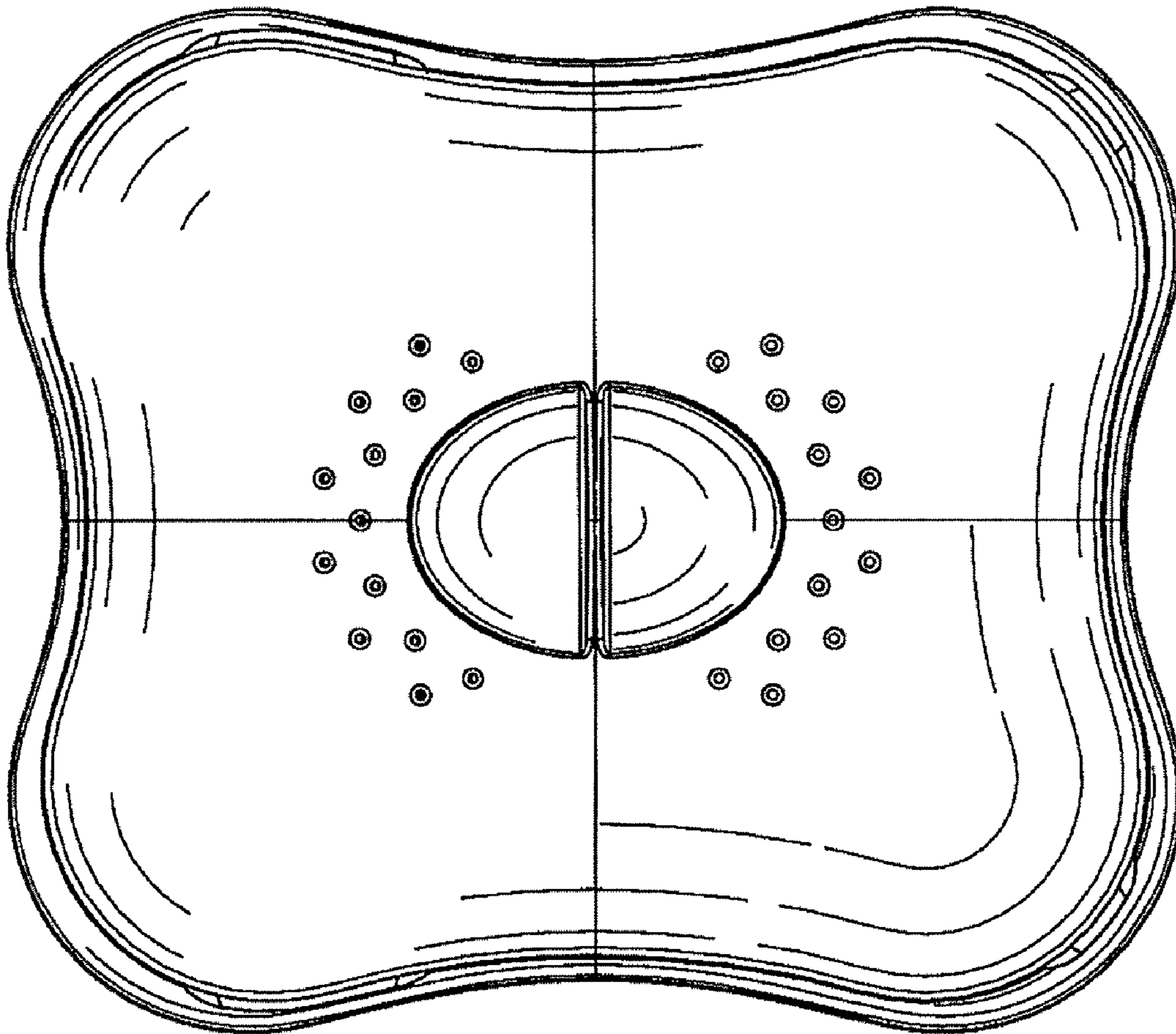


FIG.2

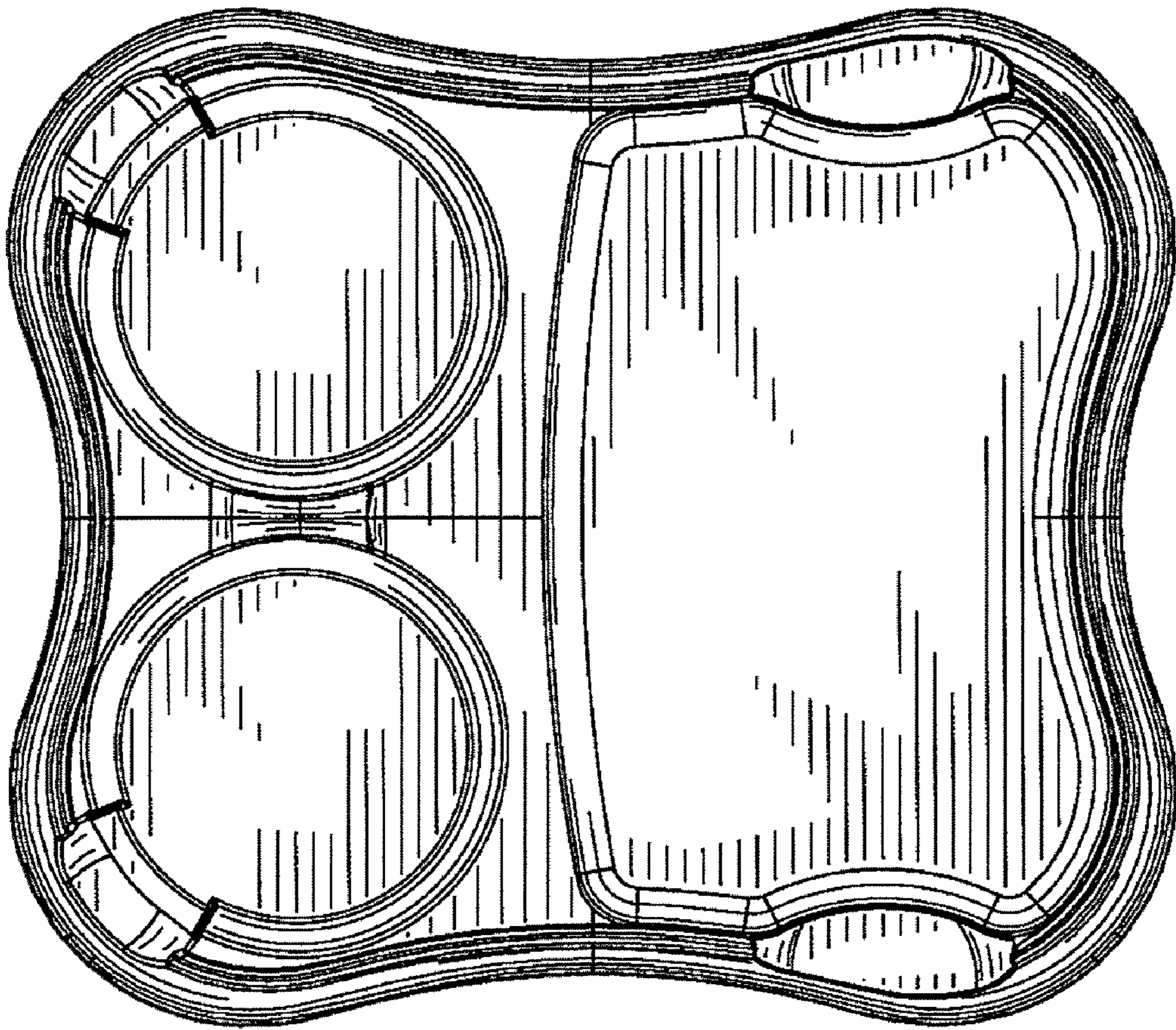


FIG. 3

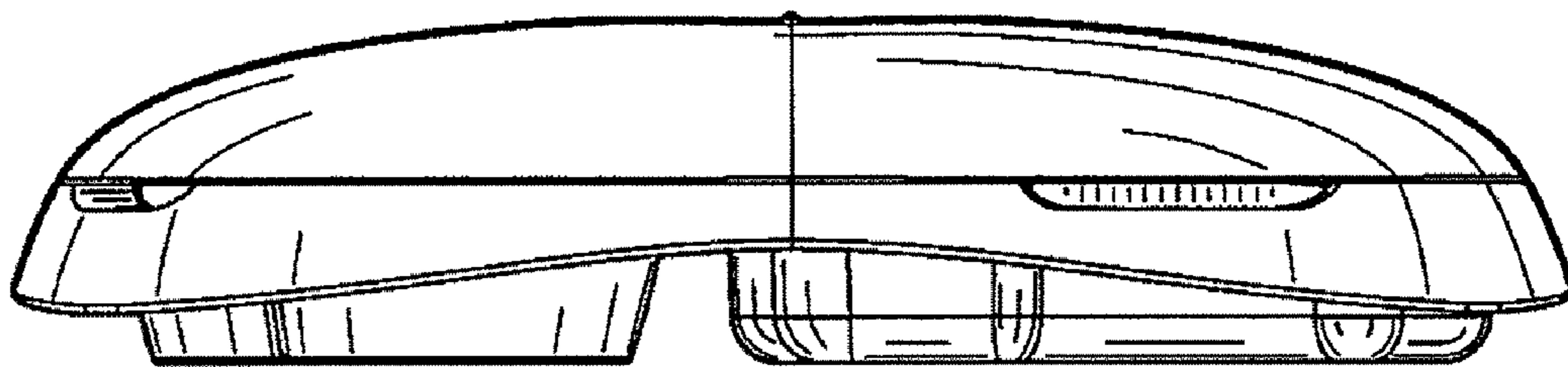


FIG. 4

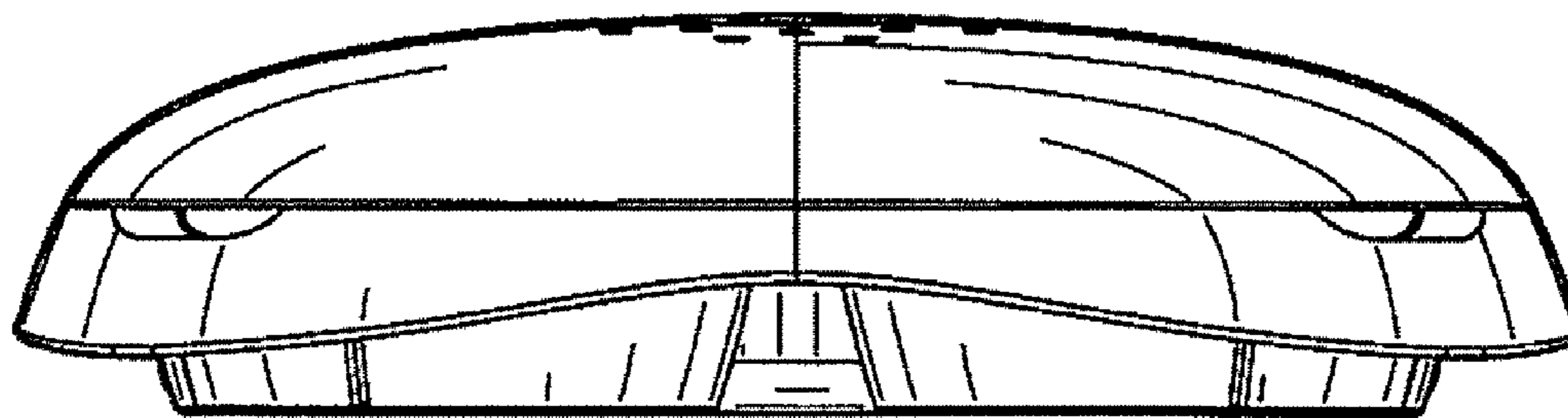


FIG. 5

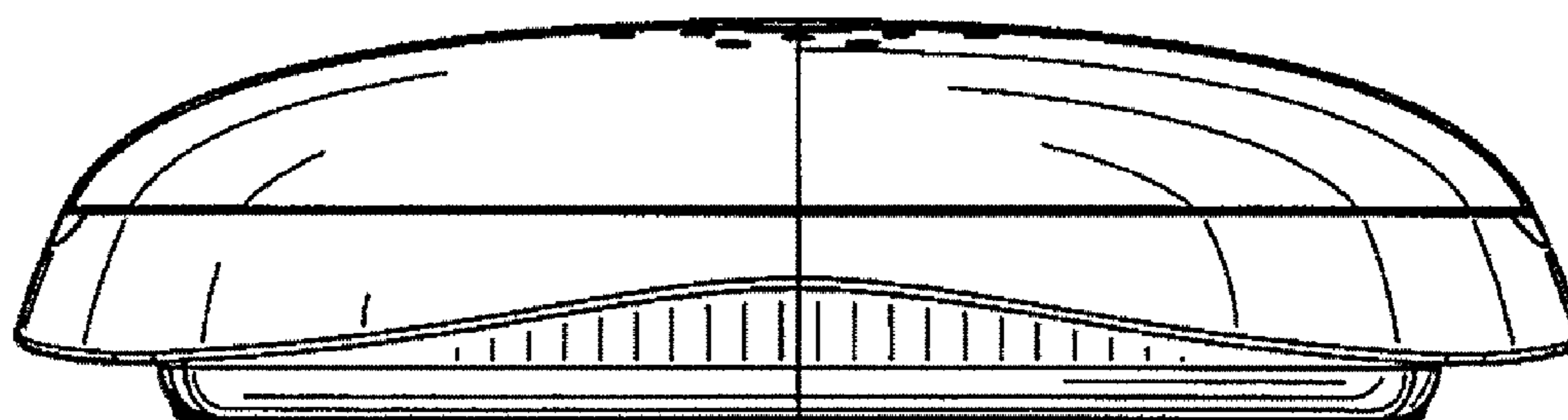


FIG. 6

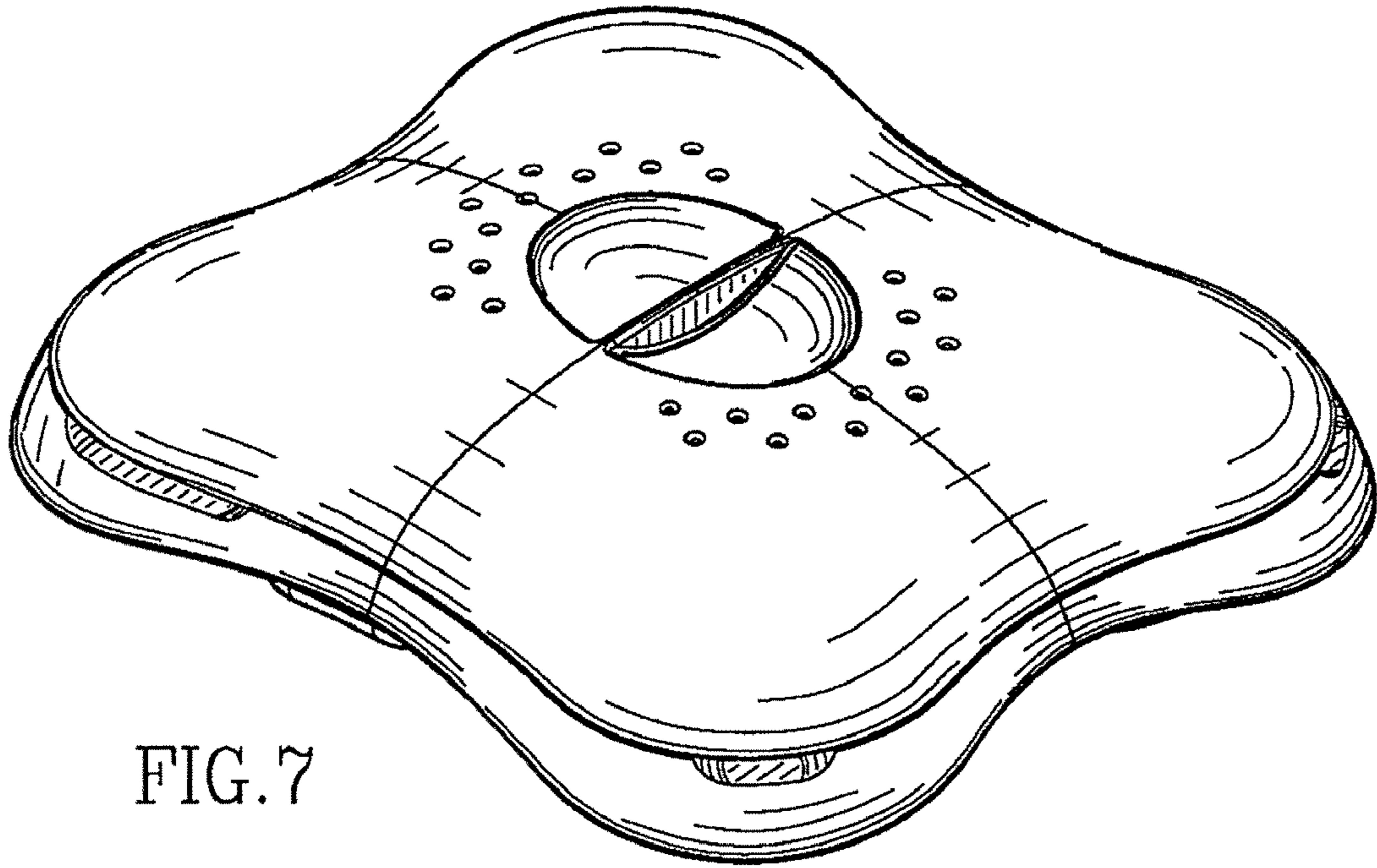


FIG. 7

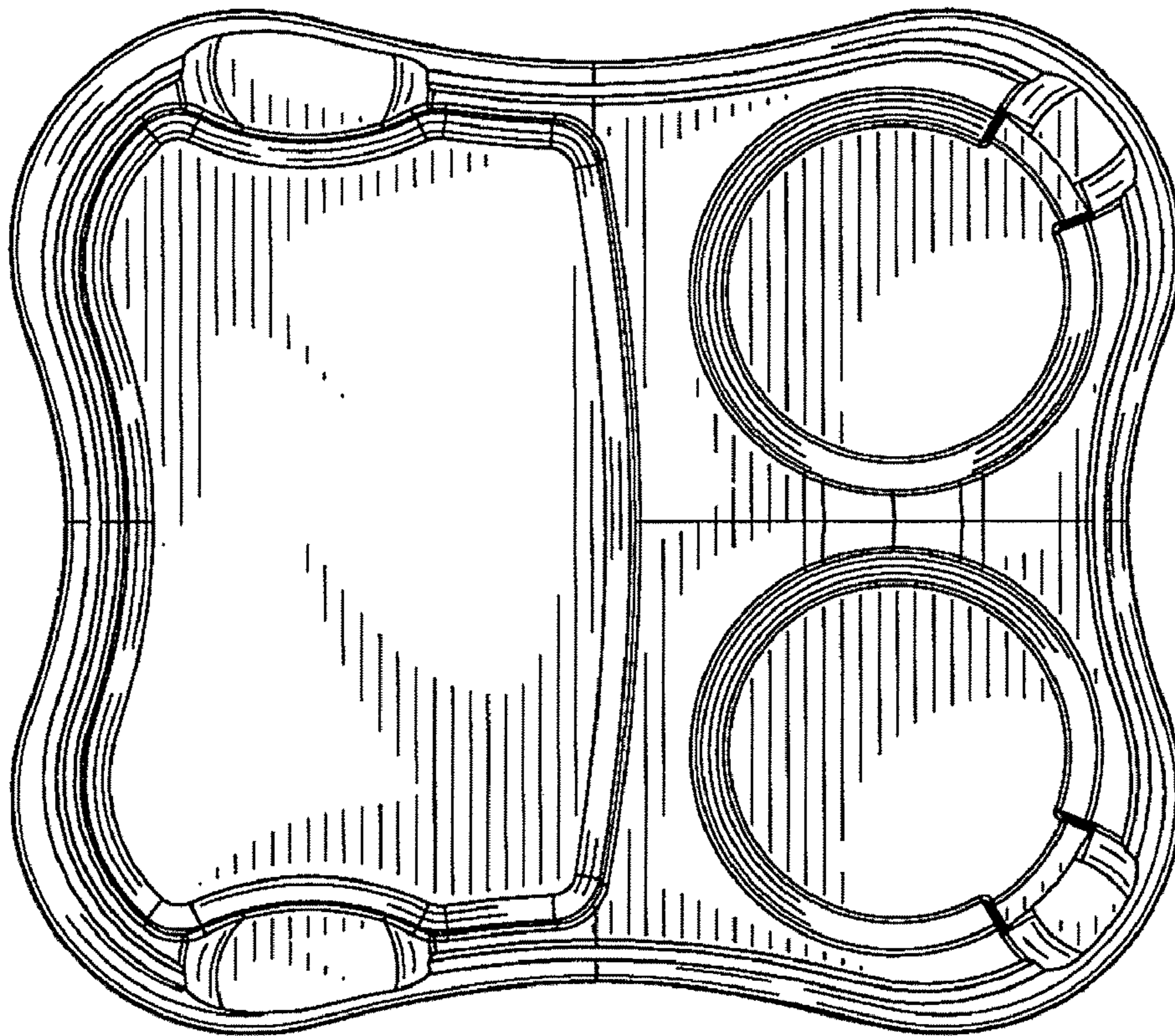


FIG. 8

FIG. 9

