

US00D549510S

(12) **United States Design Patent**  
**Chung**

(10) **Patent No.:** **US D549,510 S**

(45) **Date of Patent:** **\*\* Aug. 28, 2007**

(54) **BARBECUE GRILL**

(76) Inventor: **Kiosky Chung**, 8F-1, No. 497,  
Jhongming S. Rd., West District,  
Taichung City 403 (TW)

(\*\*) Term: **14 Years**

(21) Appl. No.: **29/247,278**

(22) Filed: **Jun. 9, 2006**

(51) **LOC (8) Cl.** ..... **07-02**

(52) **U.S. Cl.** ..... **D7/334**

(58) **Field of Classification Search** ..... D23/343,  
D23/345, 348, 350; D7/332-337, 402-405;  
126/25 A, 25 AA, 25 R, 9 R, 9 B, 38, 37 R,  
126/41 R, 40, 50, 12, 276, 8, 304 R; 99/481-482;  
312/249.13, 249.8, 351.2

See application file for complete search history.

(56) **References Cited**

**U.S. PATENT DOCUMENTS**

6,439,222 B1 *	8/2002	Dixon et al. ....	126/41 R
D501,753 S *	2/2005	Pai .....	D7/334
D528,848 S *	9/2006	Chung .....	D7/334
D528,849 S *	9/2006	Chung .....	D7/334
D528,851 S *	9/2006	Chung .....	D7/334
D529,329 S *	10/2006	Chung .....	D7/334
D529,330 S *	10/2006	Chung .....	D7/334
D529,331 S *	10/2006	Chung .....	D7/334

D535,138 S \* 1/2007 Lutz ..... D7/334  
2005/0205077 A1 \* 9/2005 Williams et al. .... 126/41 R

**OTHER PUBLICATIONS**

Fiesta Grill Pro-XL Series XZD45055-T [online][Retrieved on Mar. 16, 2007]. Retrieved from the Internet: <<http://www.fiestagasgrills.com/grills/pro.xl/01.html>>.\*

\* cited by examiner

*Primary Examiner*—Ruth McInroy

(74) *Attorney, Agent, or Firm*—Alan Kamrath; Kamrath & Associates PA

(57) **CLAIM**

I claim the ornamental design for a barbecue grill, as shown and described.

**DESCRIPTION**

FIG. 1 is the perspective view of a barbecue grill showing my new design;

FIG. 2 is the front elevational view thereof;

FIG. 3 is the rear elevational view thereof;

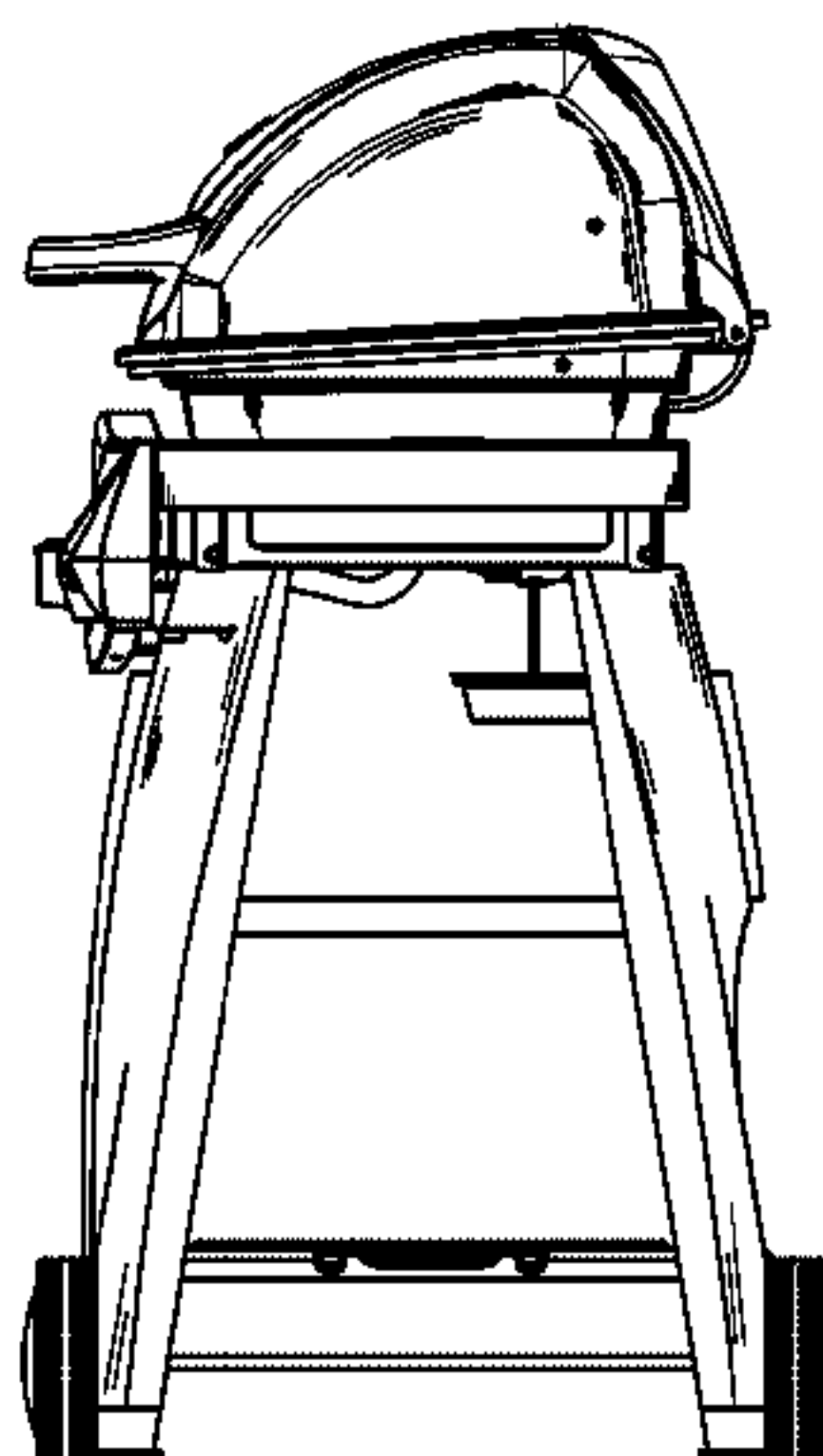
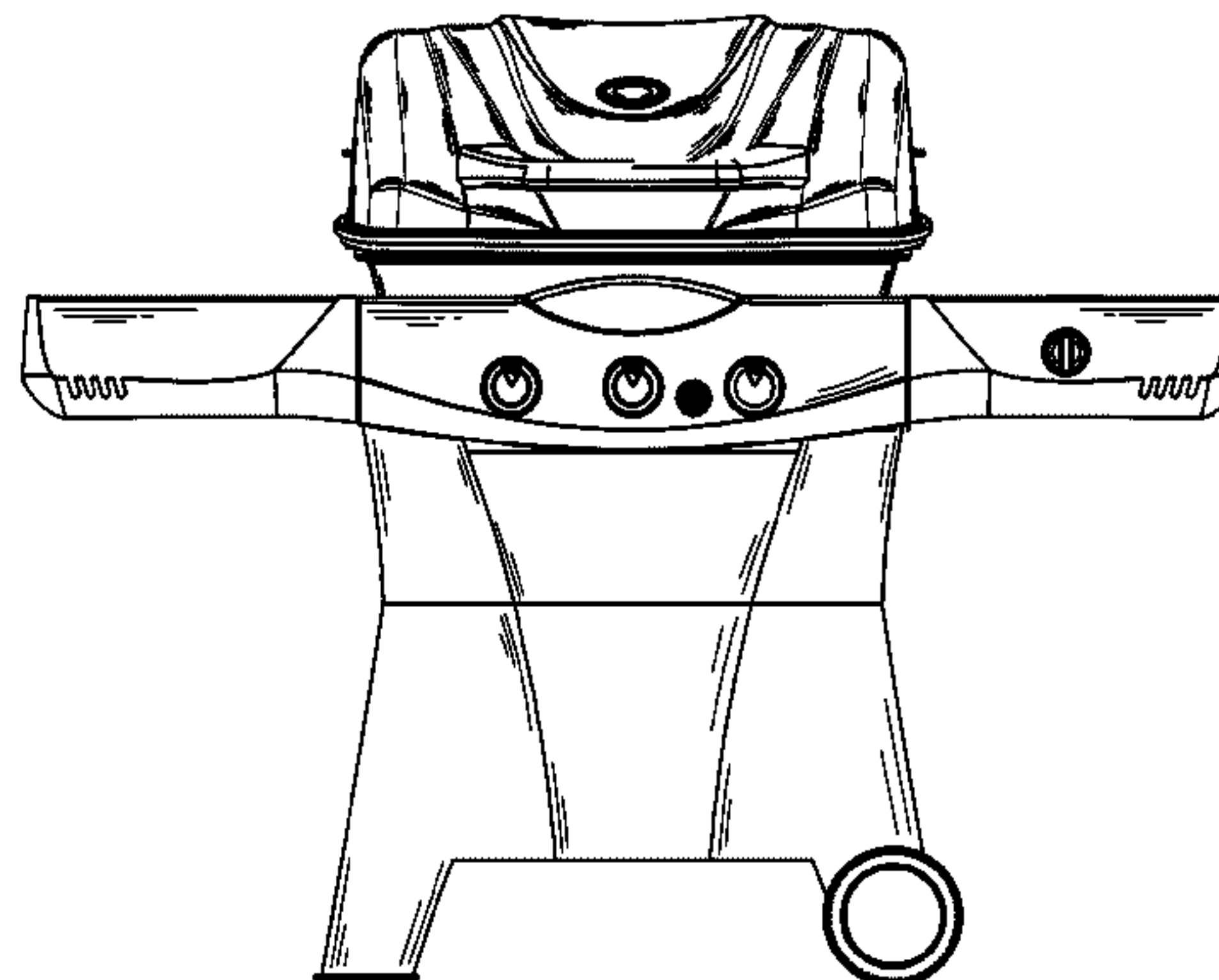
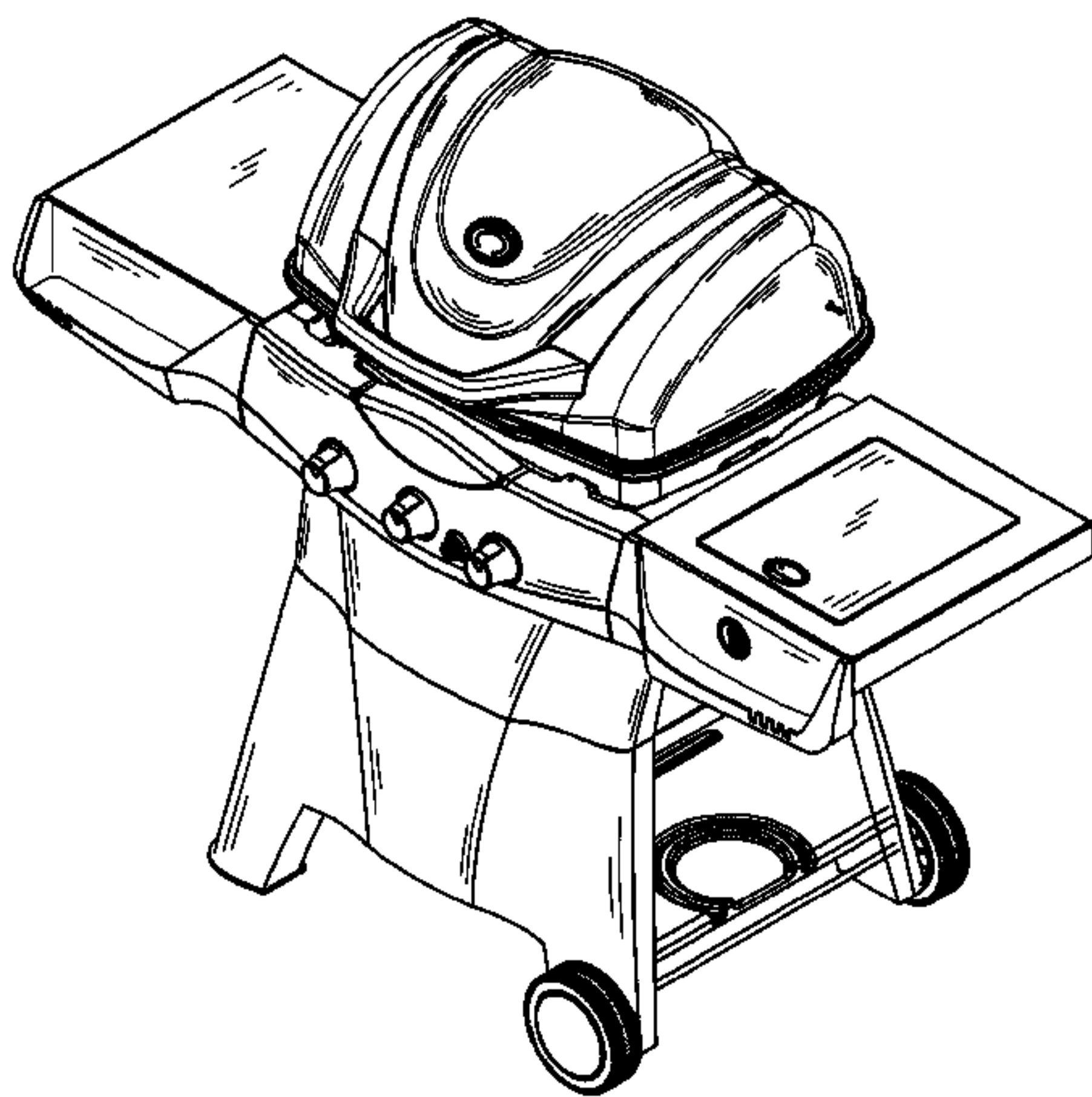
FIG. 4 is the left side elevational view thereof;

FIG. 5 is the right side elevational view thereof;

FIG. 6 is the top plan view thereof; and,

FIG. 7 is the bottom plan view thereof.

**1 Claim, 7 Drawing Sheets**



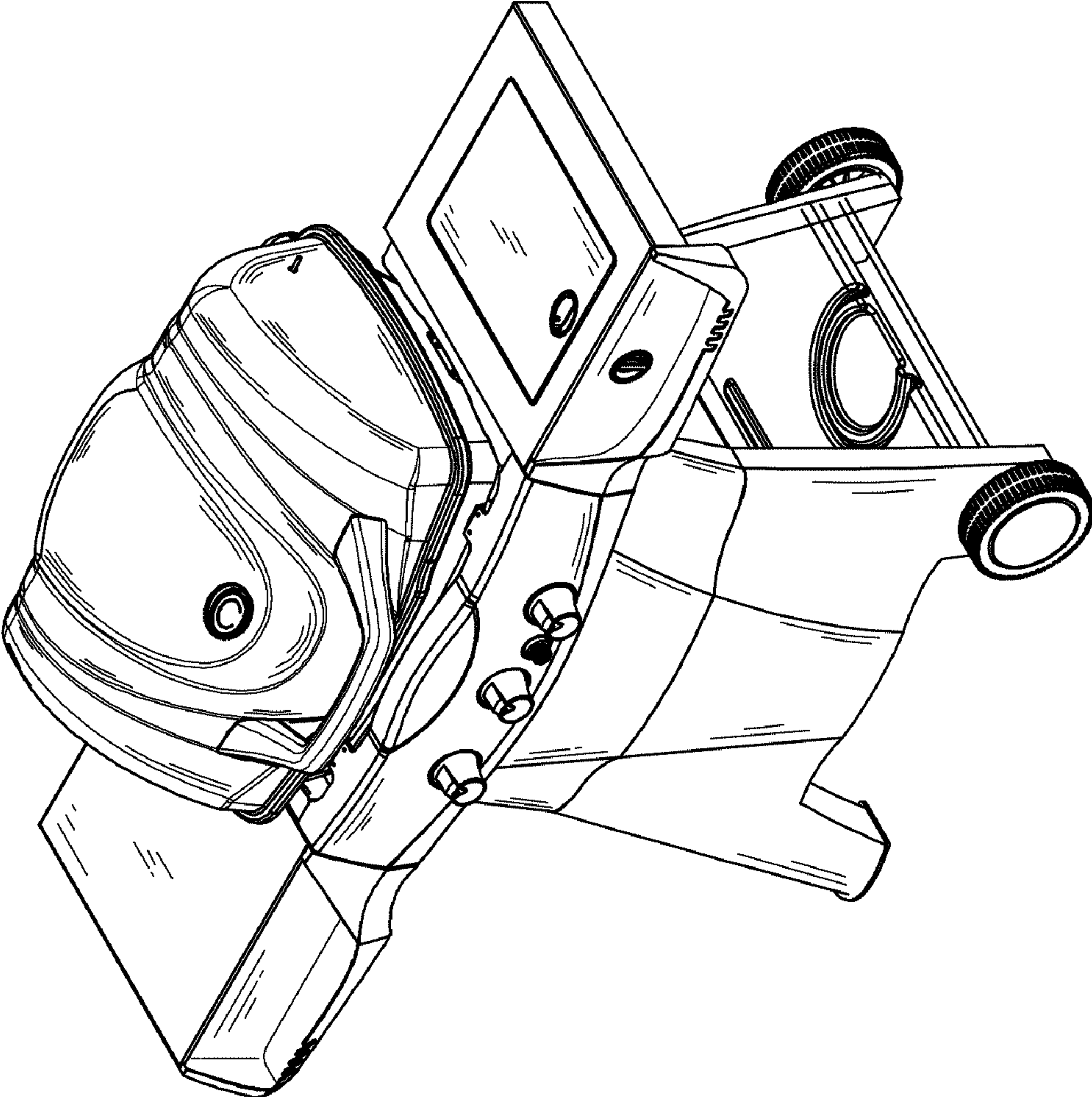


Fig. 1

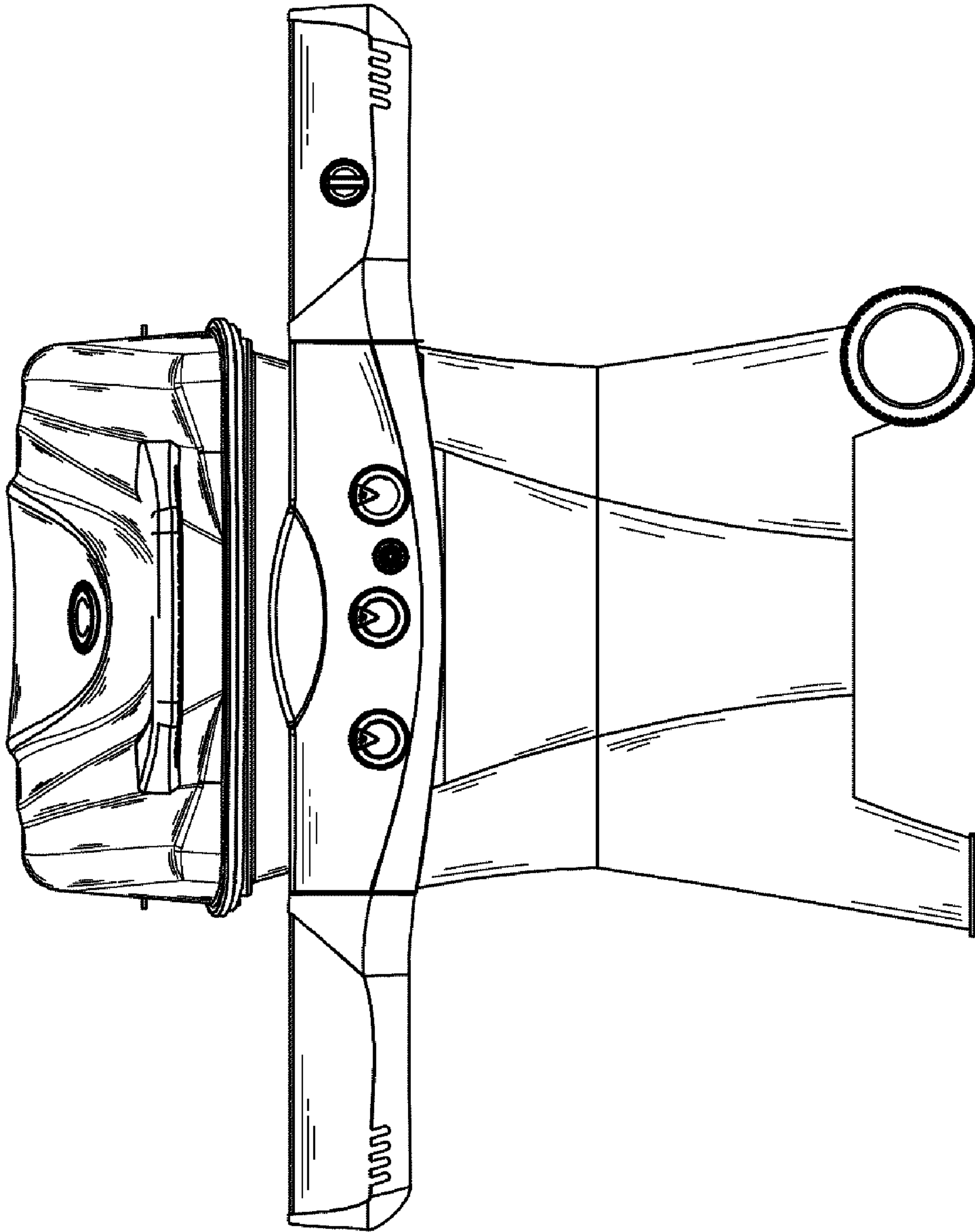


Fig. 2

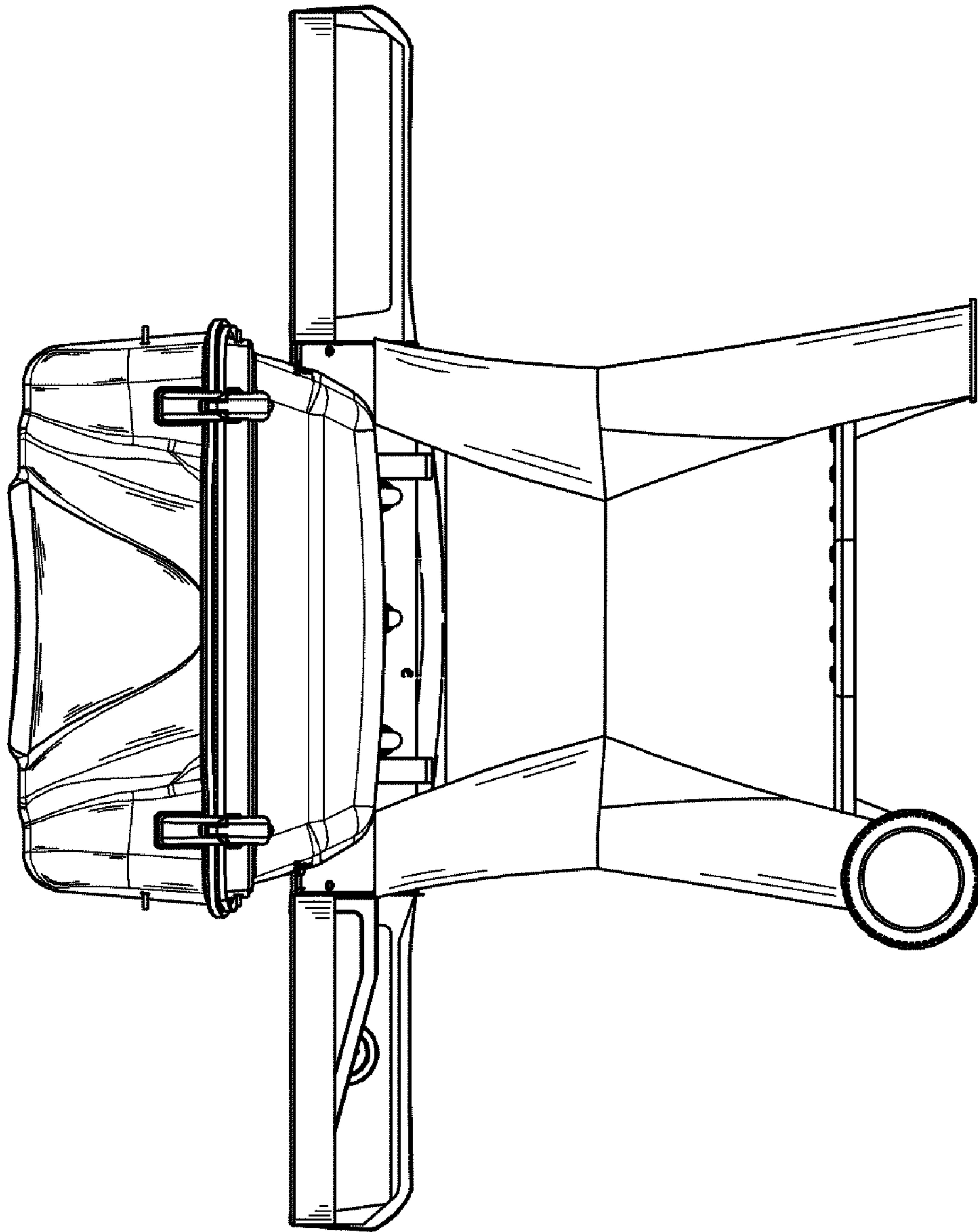


Fig. 3



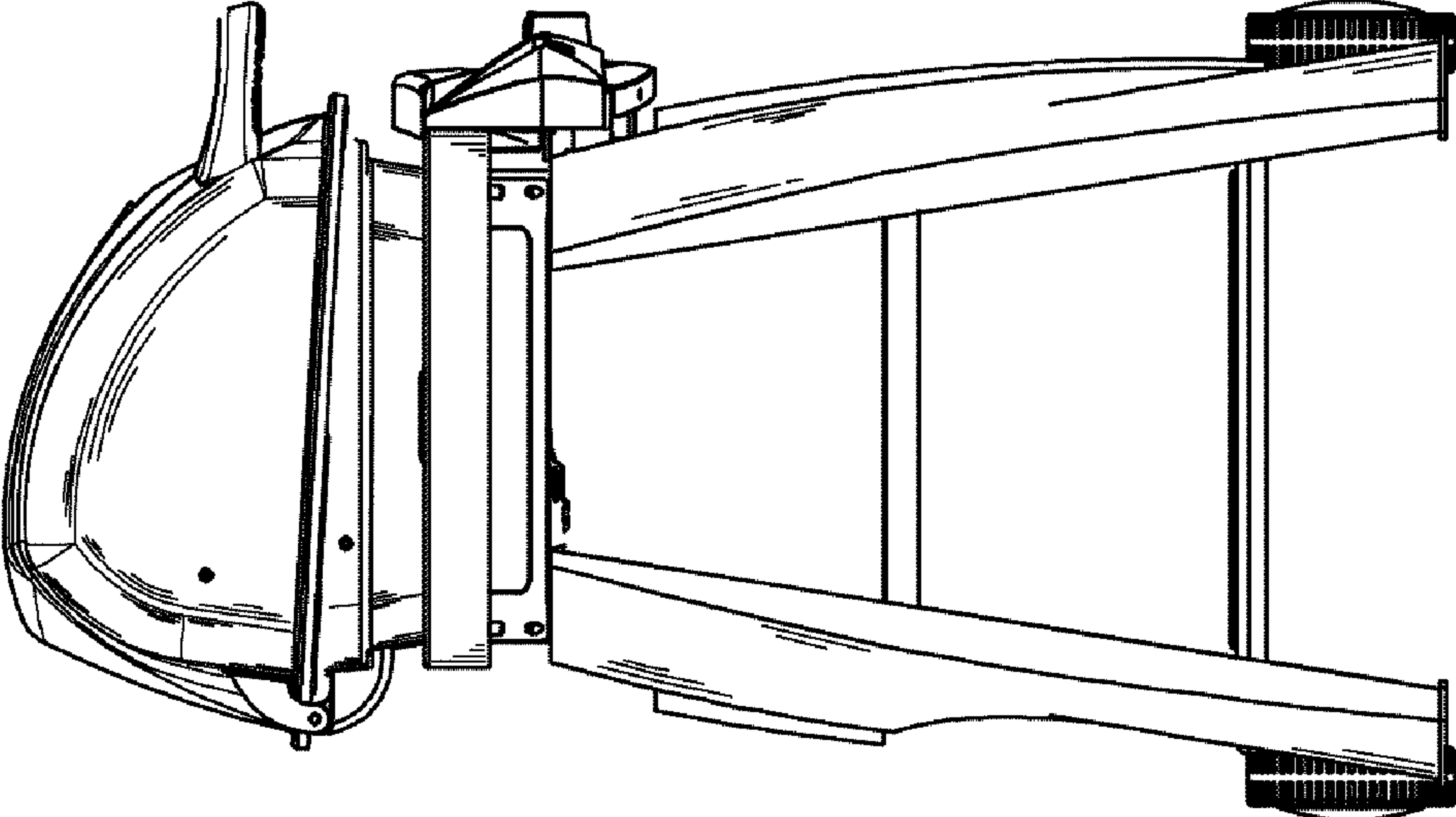


Fig. 4

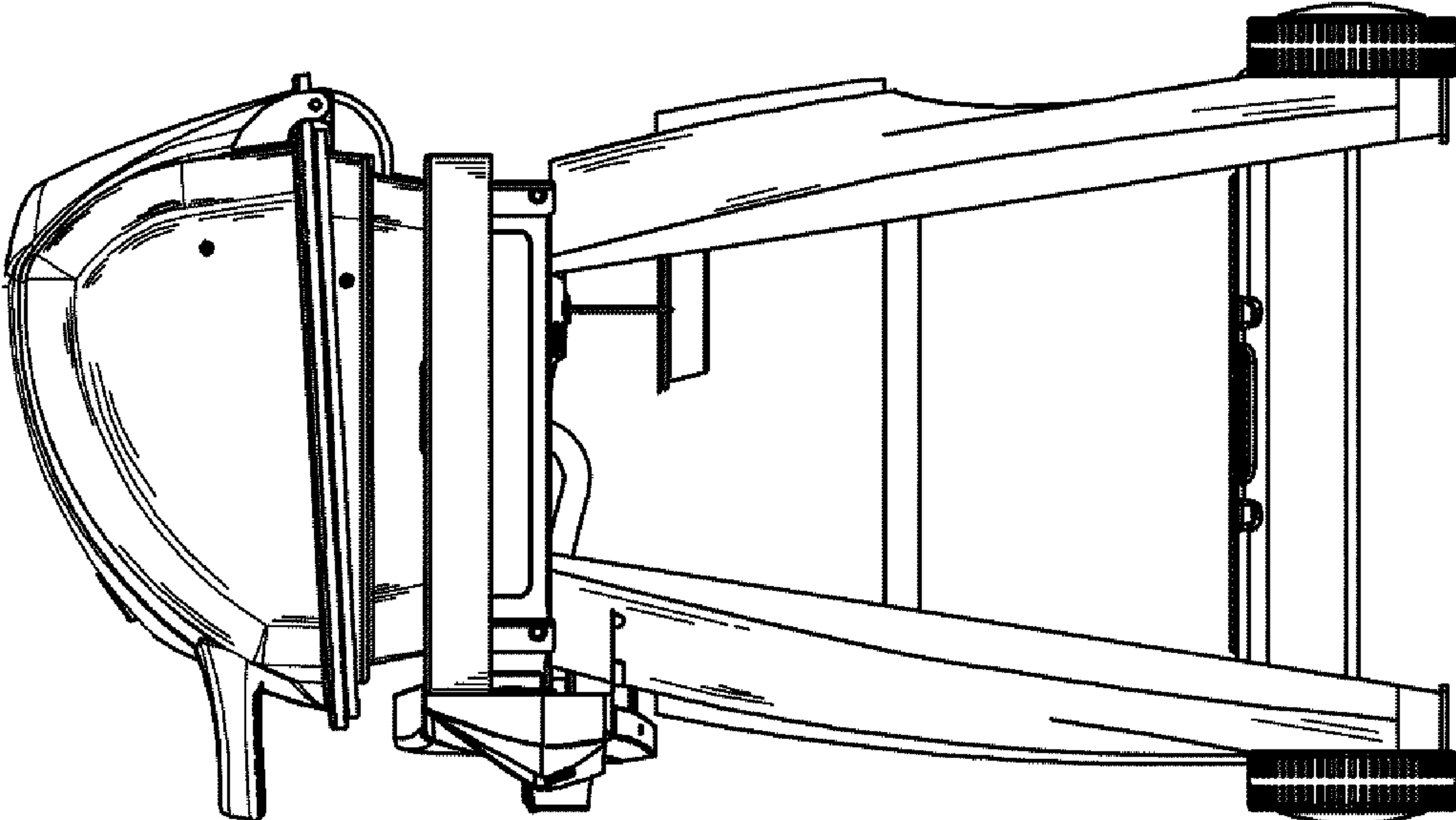


Fig. 5

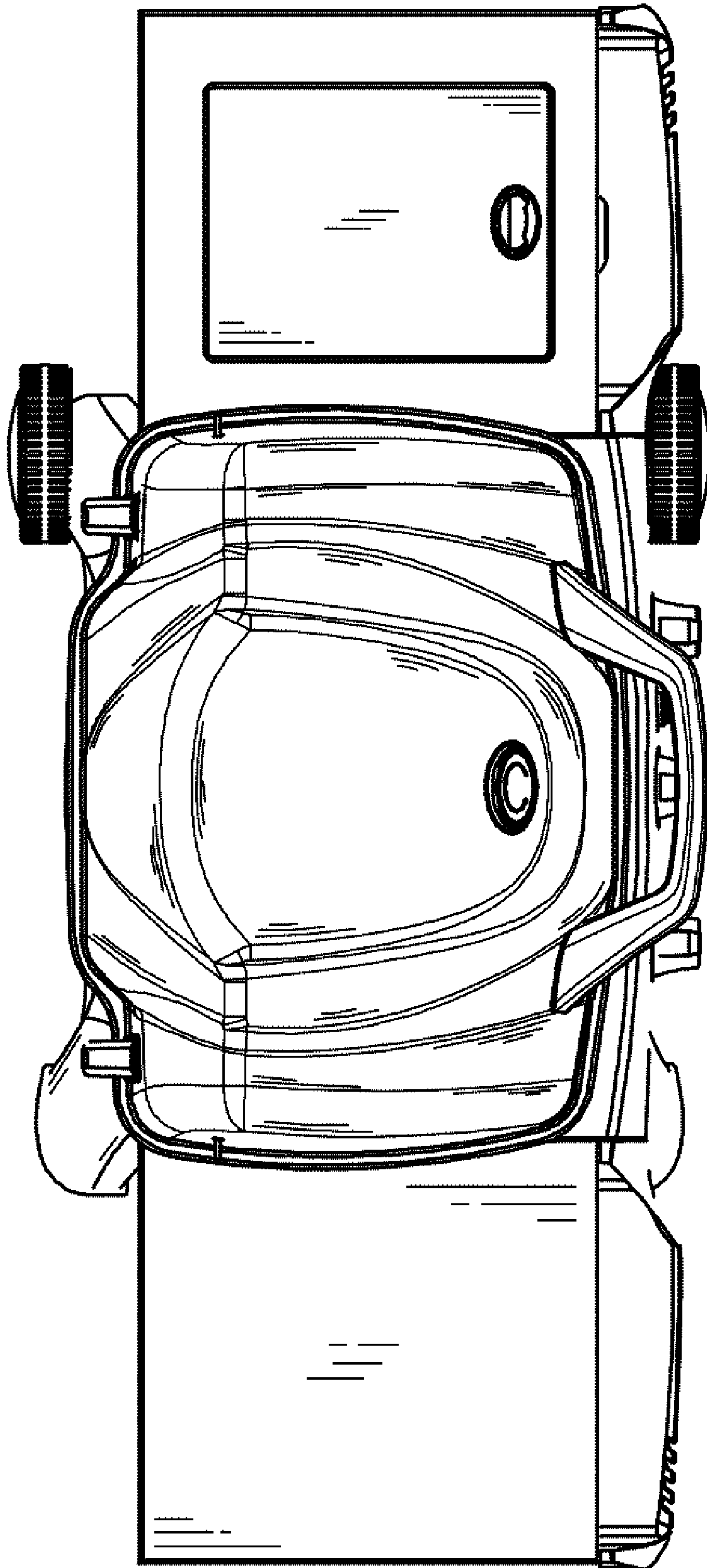


Fig. 6

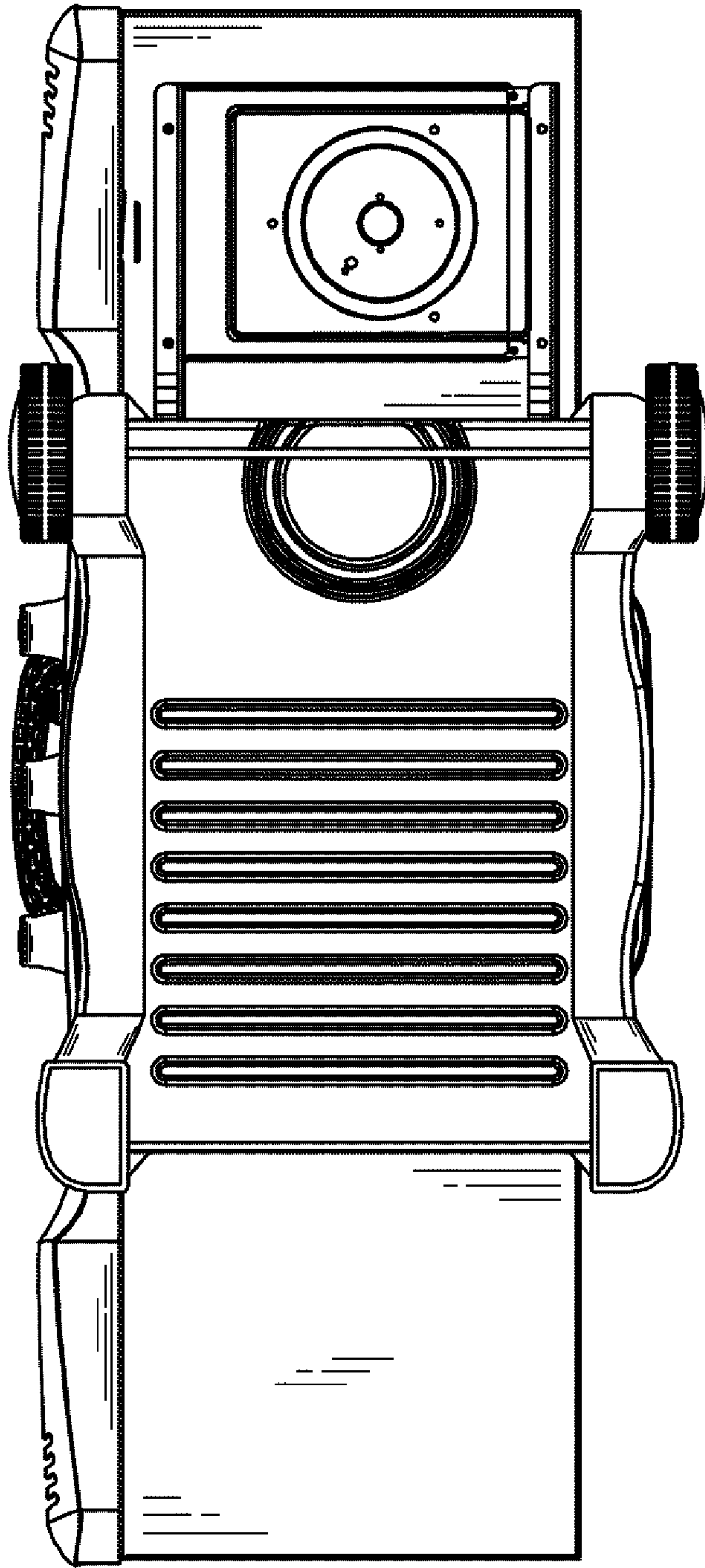


Fig. 7