

US00D549509S

(12) **United States Design Patent**
Spagnolo

(10) **Patent No.:** **US D549,509 S**

(45) **Date of Patent:** **** Aug. 28, 2007**

(54) **TOASTER**

(75) Inventor: **Giuseppe Spagnolo**, Turin (IT)

(73) Assignee: **Conair Corporation**, Stamford, CT (US)

(**) Term: **14 Years**

(21) Appl. No.: **29/269,662**

(22) Filed: **Dec. 6, 2006**

(51) **LOC (8) Cl.** **07-02**

(52) **U.S. Cl.** **D7/330**

(58) **Field of Classification Search** D7/323,
D7/328-333, 385, 390, 340, 341, 345-346,
D7/350.1-350.4, 365, 367, 402, 405-407,
D7/411; D10/40; D13/158, 162, 162.1,
D13/163; D21/325, 329, 369-371, 374,
D21/385, 525; 83/537; 99/327-331, 332,
99/341, 357, 375, 385, 391-392; 219/214,
219/388, 405, 443.1, 450.1, 492

See application file for complete search history.

(56) **References Cited**

U.S. PATENT DOCUMENTS

- 1,516,054 A * 11/1924 Mottlau 99/392
- D147,734 S * 10/1947 Musser D7/330
- D155,128 S * 9/1949 Cox et al. D7/330
- D245,162 S * 7/1977 Zimmer D7/350.4

- D379,899 S * 6/1997 Barthelemy et al. D7/330
- D393,178 S * 4/1998 Su D7/350.3
- D434,264 S * 11/2000 Mixides D7/330
- 6,532,864 B2 * 3/2003 Ancona et al. 99/357
- 6,543,337 B1 * 4/2003 Brown 99/327
- D499,345 S * 12/2004 Bhavnani D10/40
- D509,702 S * 9/2005 Picozza et al. D7/330
- D524,090 S * 7/2006 Wise D7/330
- 2001/0029823 A1 * 10/2001 Ancona et al. 83/537

* cited by examiner

Primary Examiner—Cathron C. Brooks

Assistant Examiner—Ricky Pham

(74) *Attorney, Agent, or Firm*—Lawrence Cruz

(57) **CLAIM**

The ornamental design for a toaster, as shown.

DESCRIPTION

FIG. 1 is a front perspective view of a toaster showing my new design;

FIG. 2 is a front view thereof;

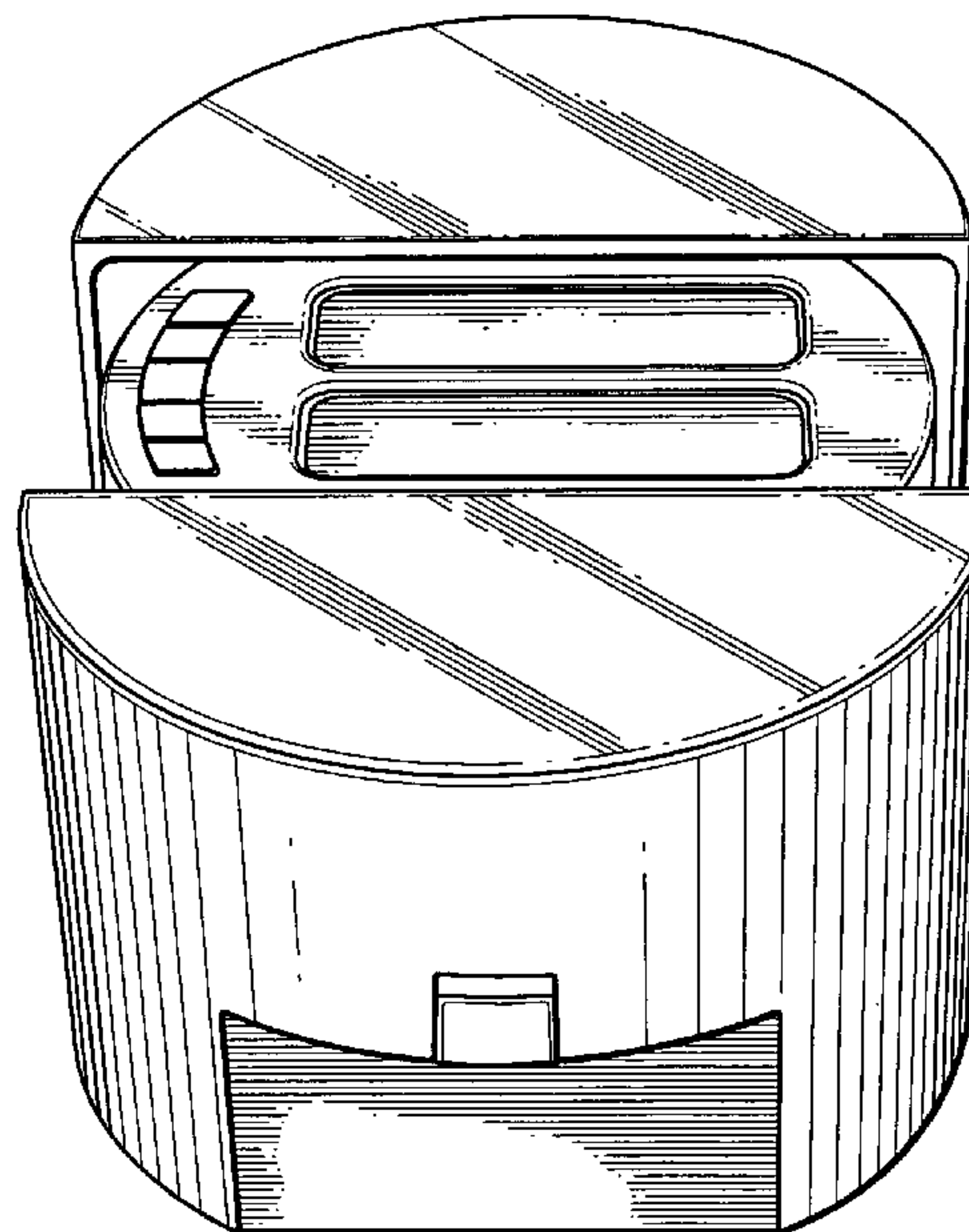
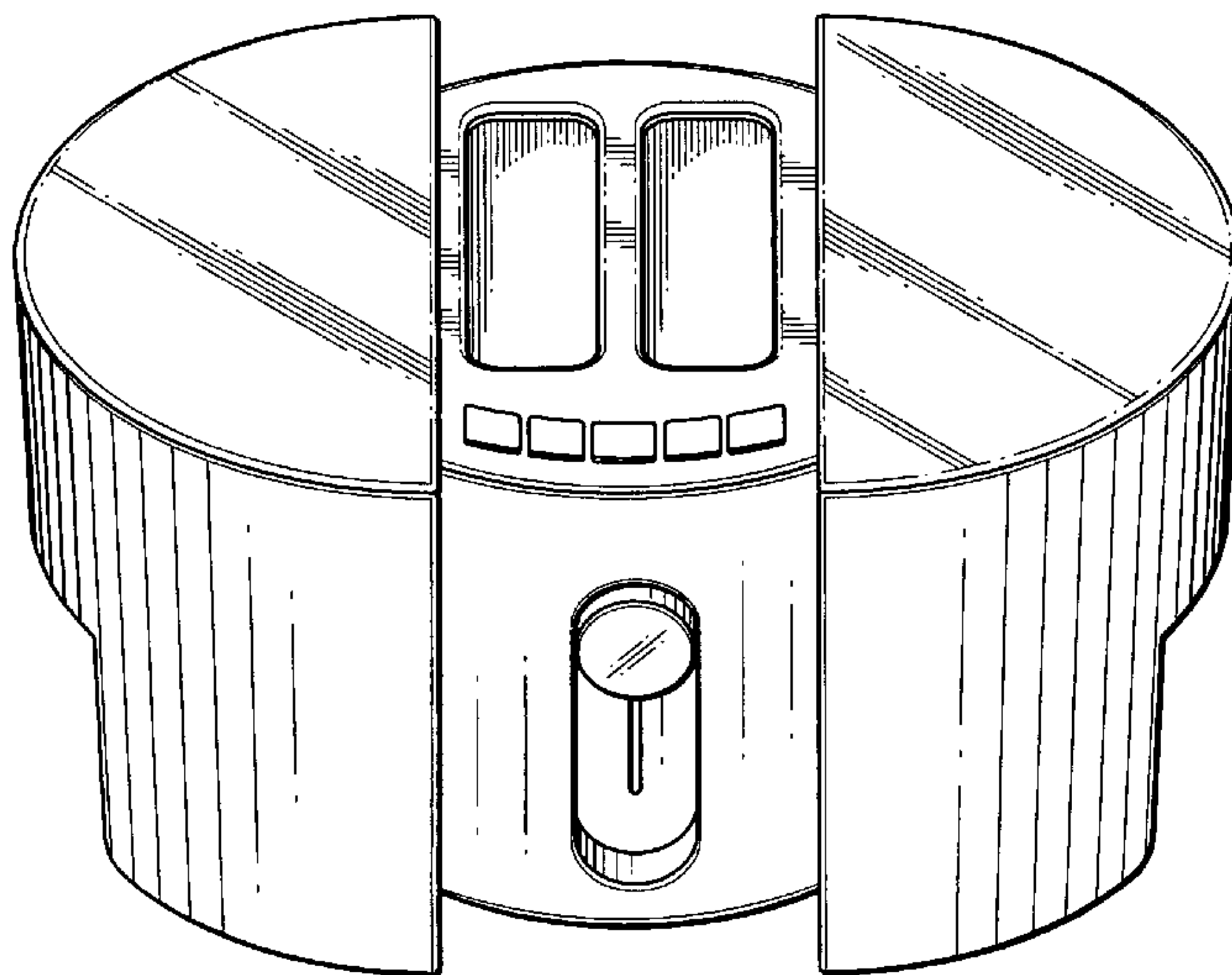
FIG. 3 is a side view thereof;

FIG. 4 is a front perspective view with the cover open;

FIG. 5 is a side perspective view; and,

FIG. 6 is a side perspective view with the cover open.

1 Claim, 5 Drawing Sheets



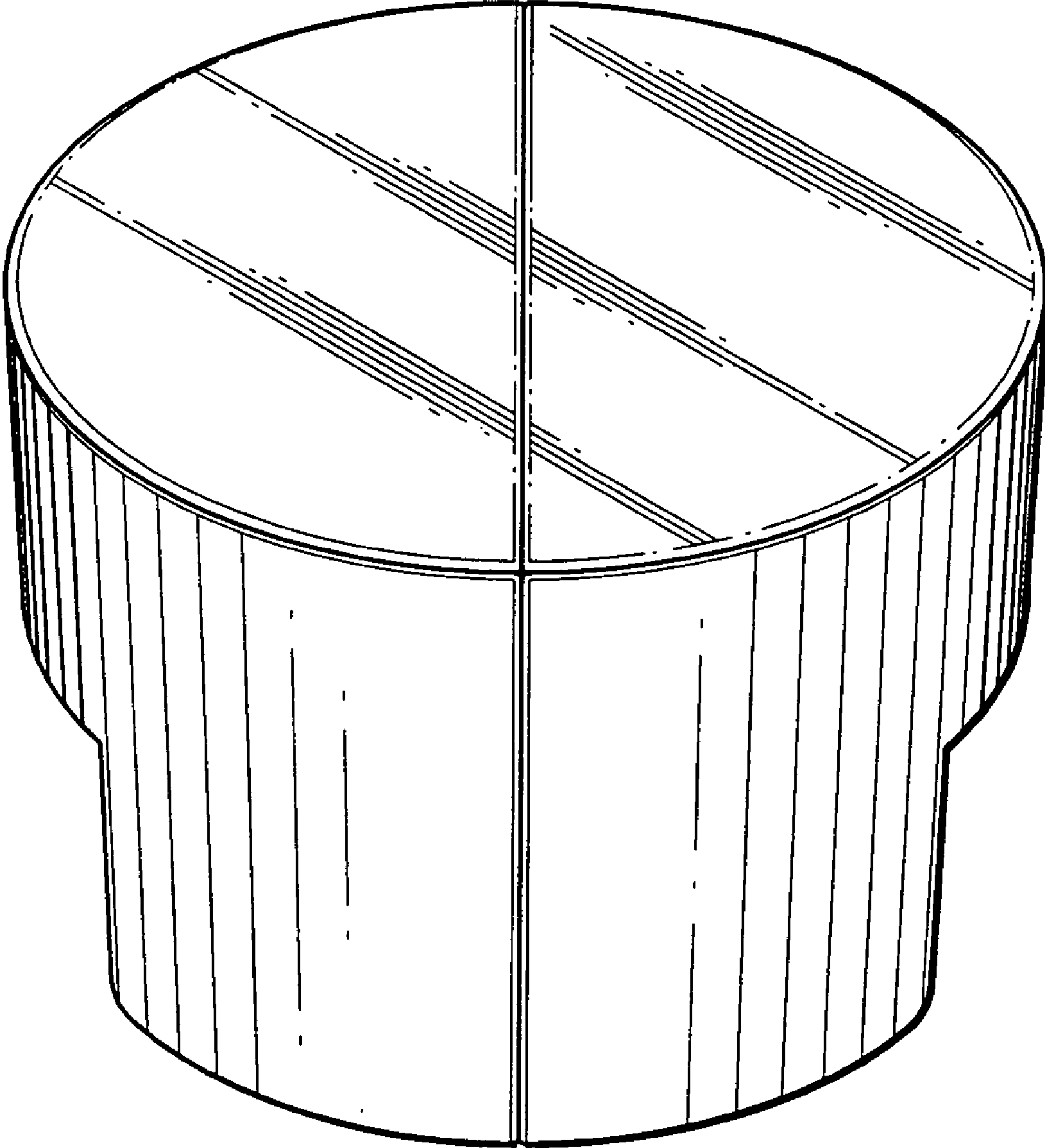


FIG. 1

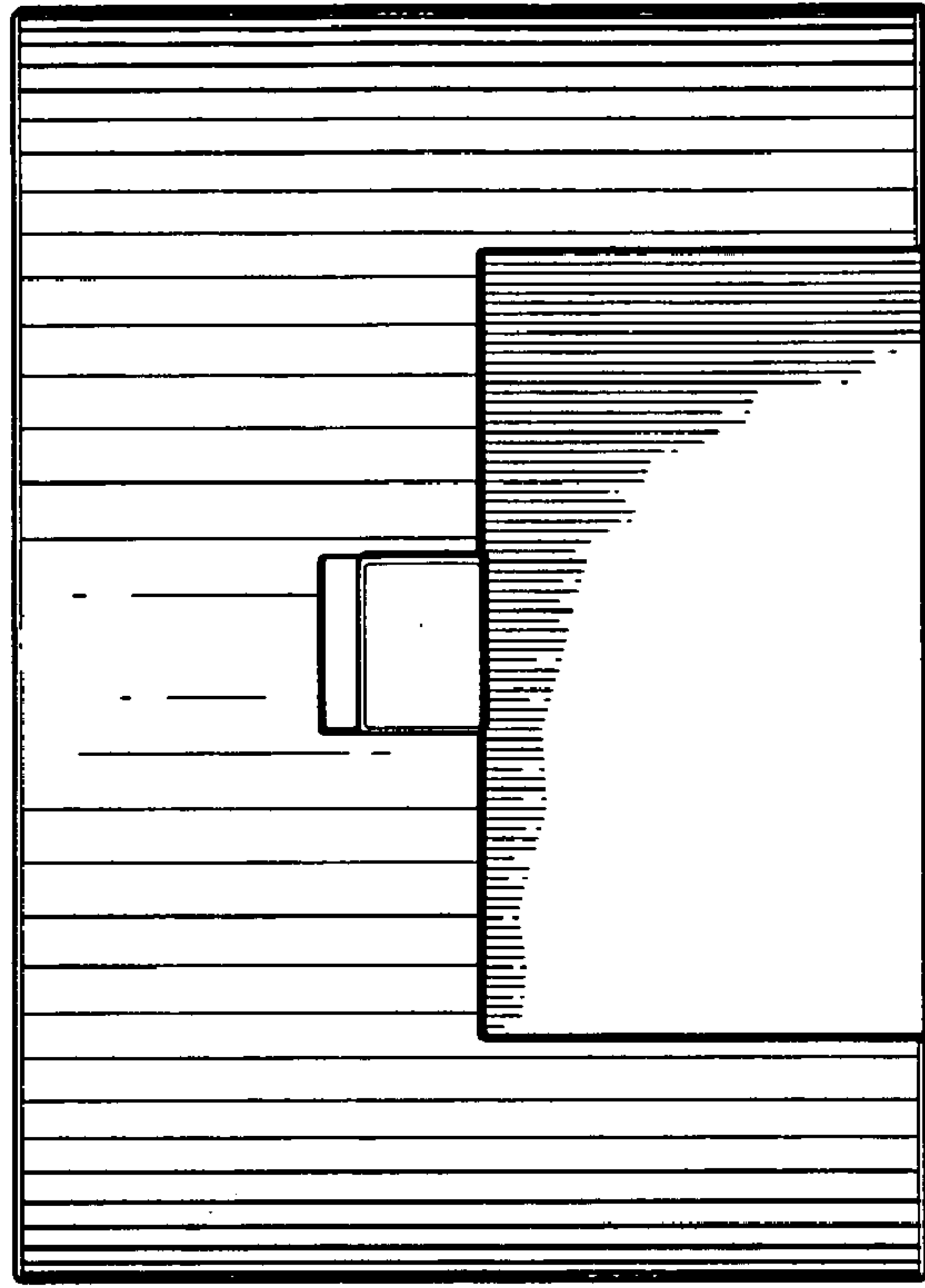


FIG. 3

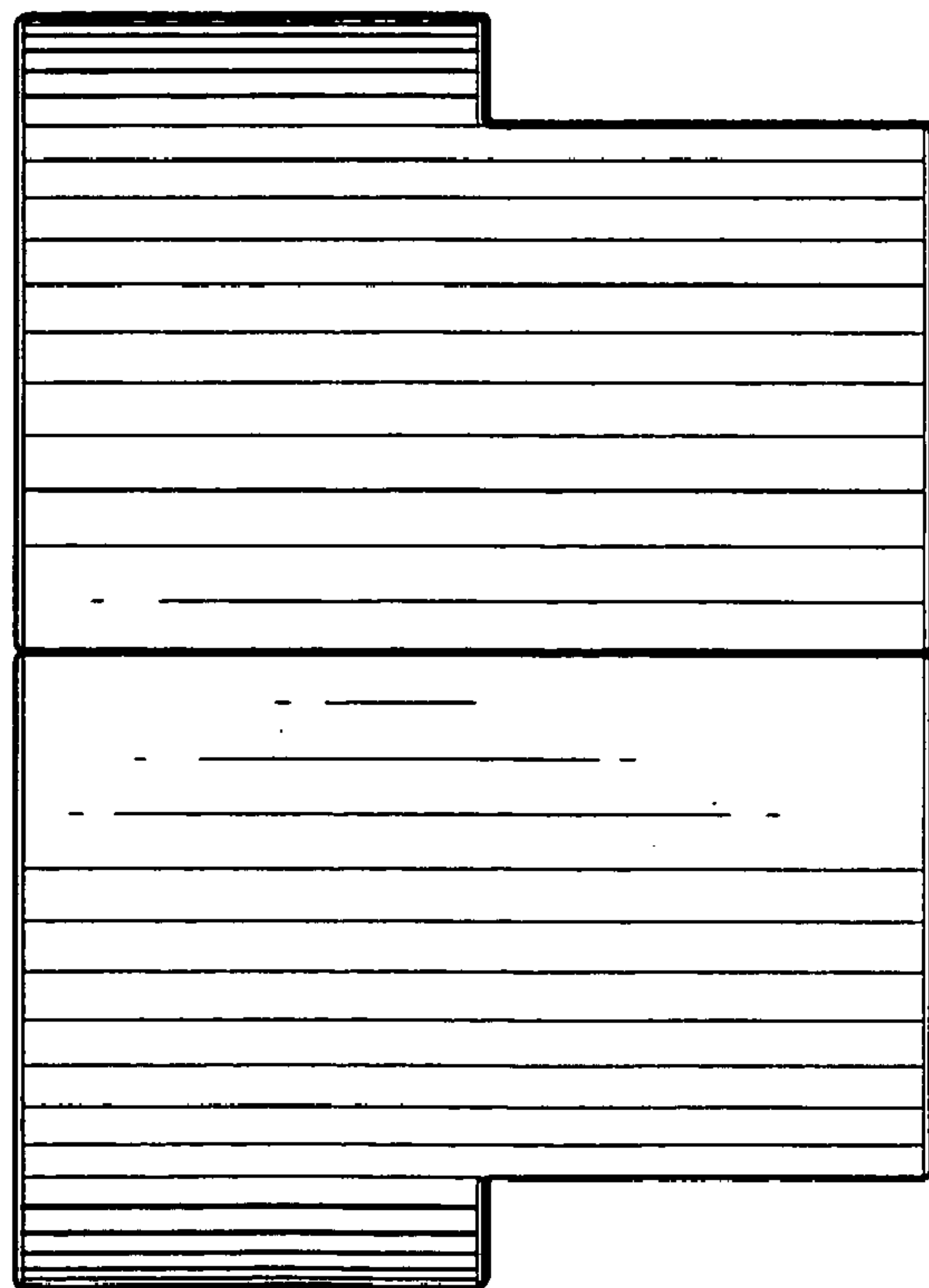


FIG. 2

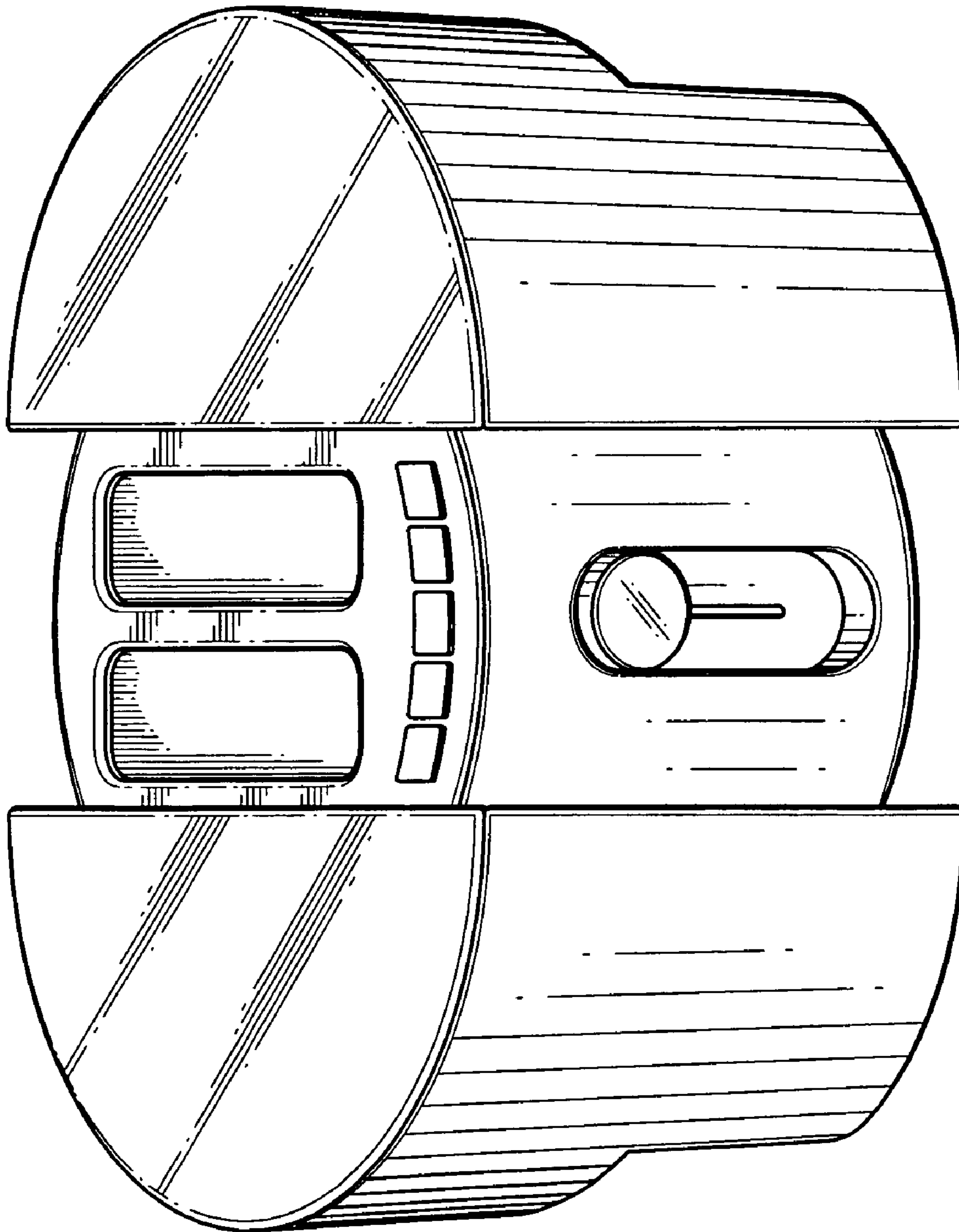


FIG. 4

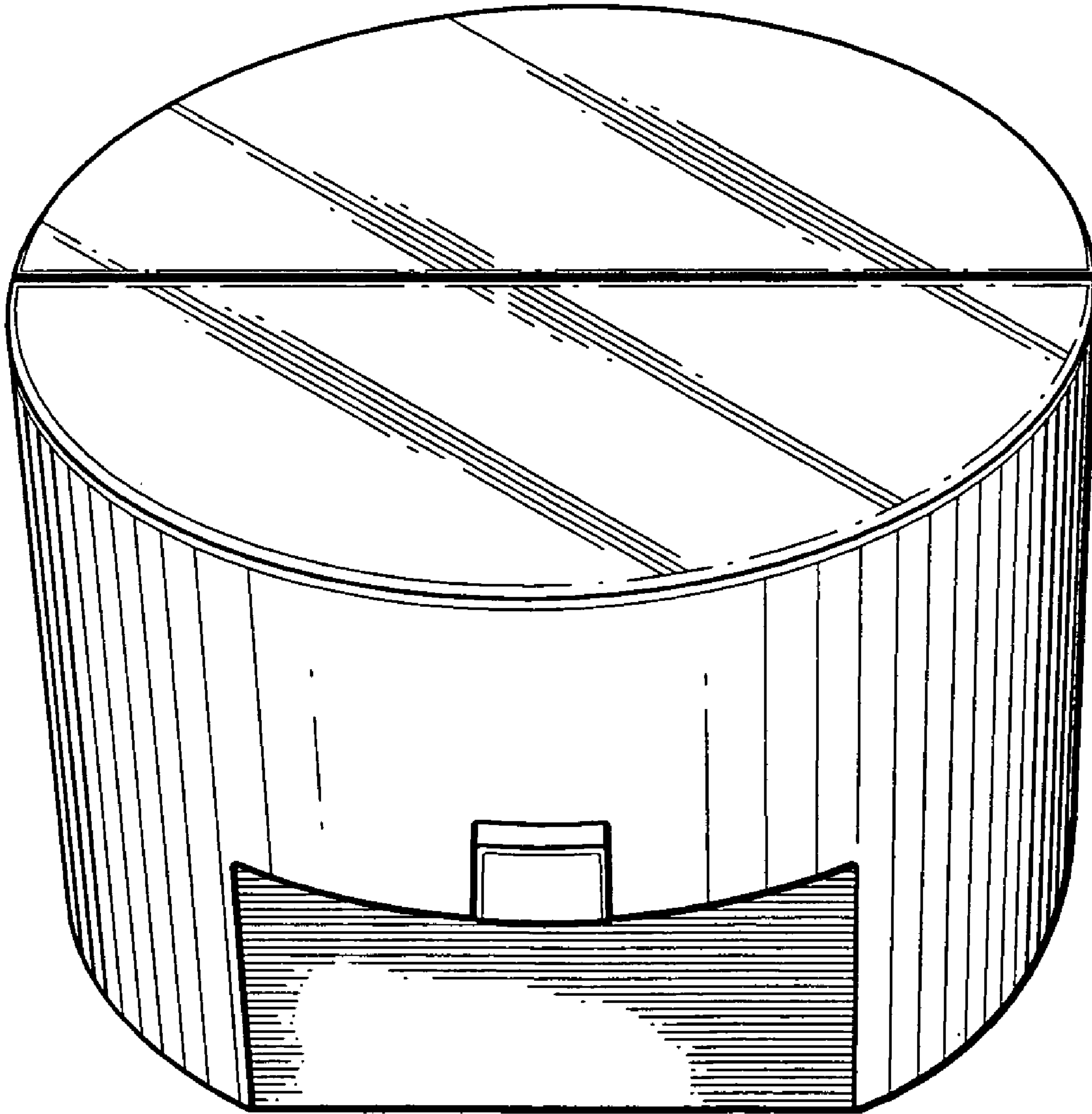


FIG. 5

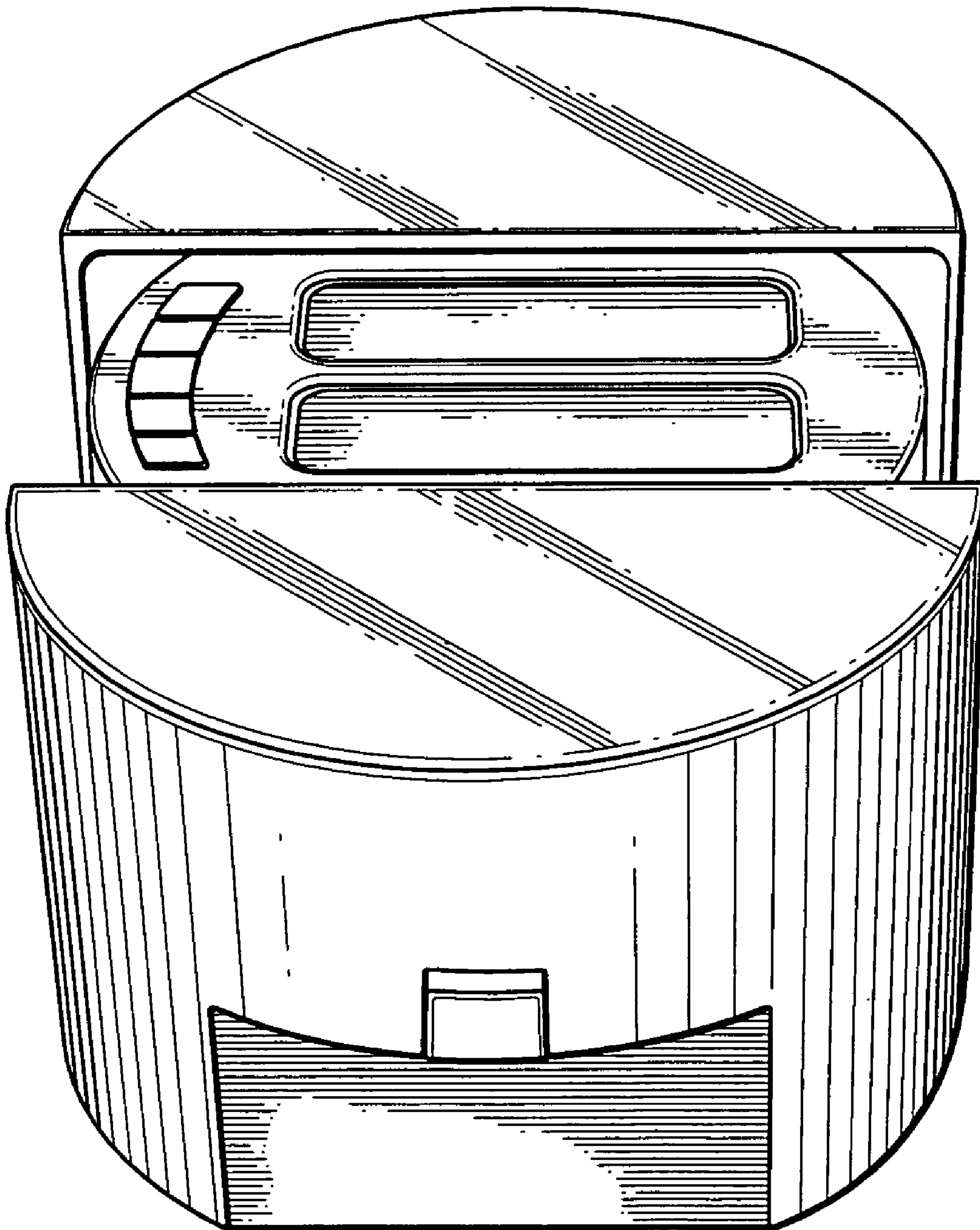


FIG. 6