



US00D549497S

(12) **United States Design Patent** (10) **Patent No.:** **US D549,497 S**
Goldberg (45) **Date of Patent:** **** Aug. 28, 2007**

(54) **PORTIONS OF SIDE SHELVES AND CABINET INCLINE**

(75) Inventor: **Mark A. Goldberg**, Lido Beach, NY (US)

(73) Assignee: **Global Equipment Company Inc.**

(**) Term: **14 Years**

(21) Appl. No.: **29/257,396**

(22) Filed: **Apr. 4, 2006**

Related U.S. Application Data

(63) Continuation-in-part of application No. 29/254,403, filed on Feb. 23, 2006.

(51) **LOC (8) Cl.** **06-06**

(52) **U.S. Cl.** **D6/509; D6/510; D6/511**

(58) **Field of Classification Search** D6/422, D6/425, 426, 429, 491, 492, 494, 495, 509-511; 312/21, 205, 208.4, 241, 313, 314
See application file for complete search history.

(56) **References Cited**

U.S. PATENT DOCUMENTS

D23,685 S *	10/1894	Brinckmann	D6/436
D130,079 S *	10/1941	Weller	D6/430
D163,013 S *	4/1951	Zeman	D6/430
D187,232 S *	2/1960	Matyas	D6/436
4,290,657 A *	9/1981	Haas	312/21
D267,690 S *	1/1983	Verdesca	D6/426
D282,132 S *	1/1986	Santner	D6/511
D293,284 S *	12/1987	Wright et al.	D6/425
D328,680 S *	8/1992	Zapf	D6/511
D381,529 S *	7/1997	Ugalde	D6/425
D441,213 S *	5/2001	van de Oudeweetering	D6/425
D452,786 S *	1/2002	Petri	D6/511

D458,484 S *	6/2002	Wood	D6/511
6,474,677 B2 *	11/2002	Kasuya	280/639
6,663,202 B2 *	12/2003	Spann	312/249.12
2006/0076861 A1 *	4/2006	Baughman	312/314

OTHER PUBLICATIONS

Global Industrial Company Online Catalog page, Mobile Security Computer Cabinet, 2006.*

* cited by examiner

Primary Examiner—Cathron C. Brooks

(74) *Attorney, Agent, or Firm*—Davidoff Malito & Hutcher LLP

(57) **CLAIM**

The ornamental design for portions of side shelves and cabinet incline, as shown and described.

DESCRIPTION

FIG. 1 is an isometric view of portions of side shelves and cabinet incline in accordance with the invention;

FIG. 2 is a front view thereof;

FIG. 3 is a rear view thereof;

FIG. 4 is a left side view thereof;

FIG. 5 is a right side view thereof;

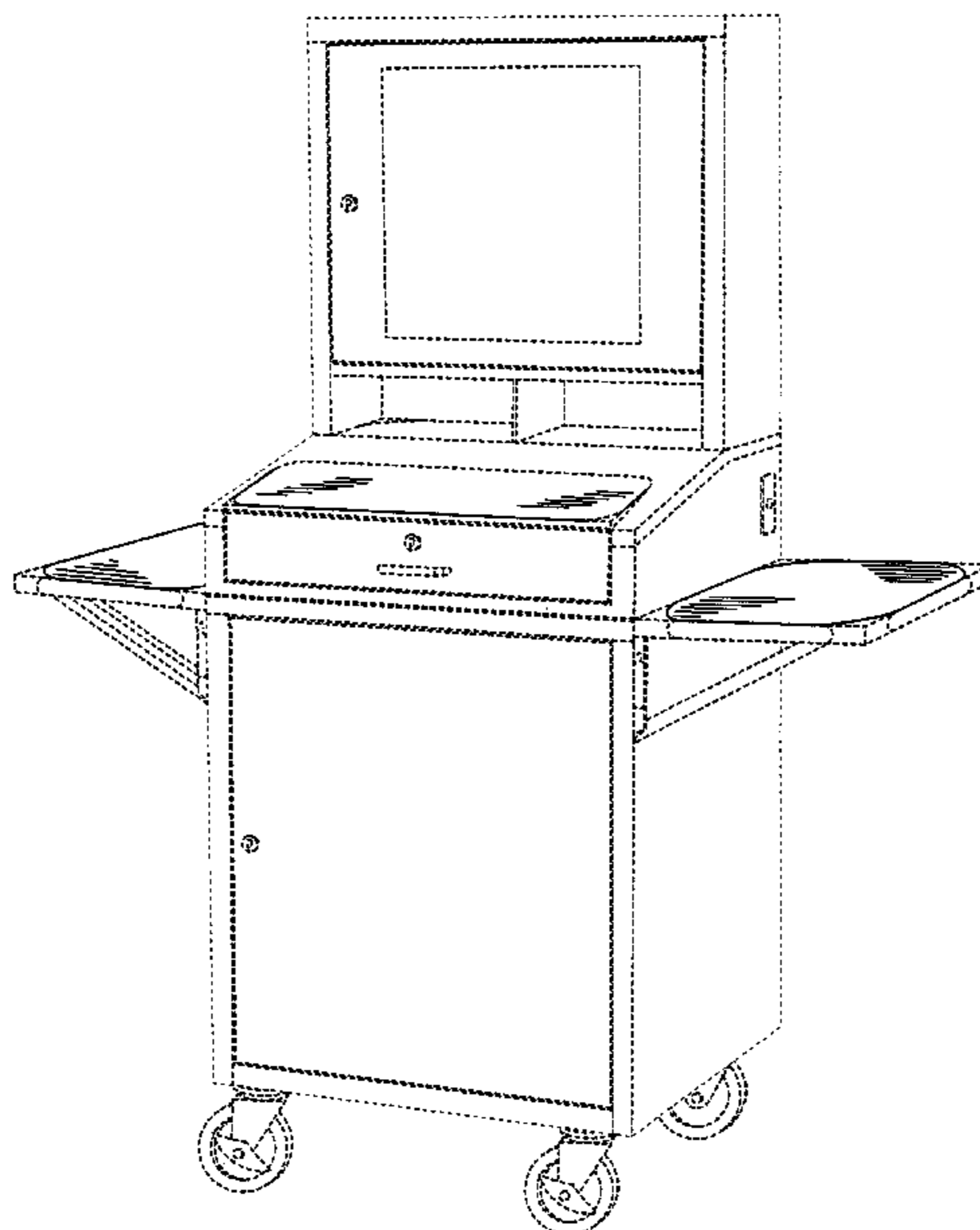
FIG. 6 is a top view thereof; and,

FIG. 7 is a bottom view thereof.

The broken lines form no part of the claimed design. Surfaces not shown in the drawing are flat, plain and unornamented.

The rounded broken-line corners and the broken-line showing of one side of the of the cabinet incline portion of the design represent the bounds of the claimed design.

1 Claim, 7 Drawing Sheets



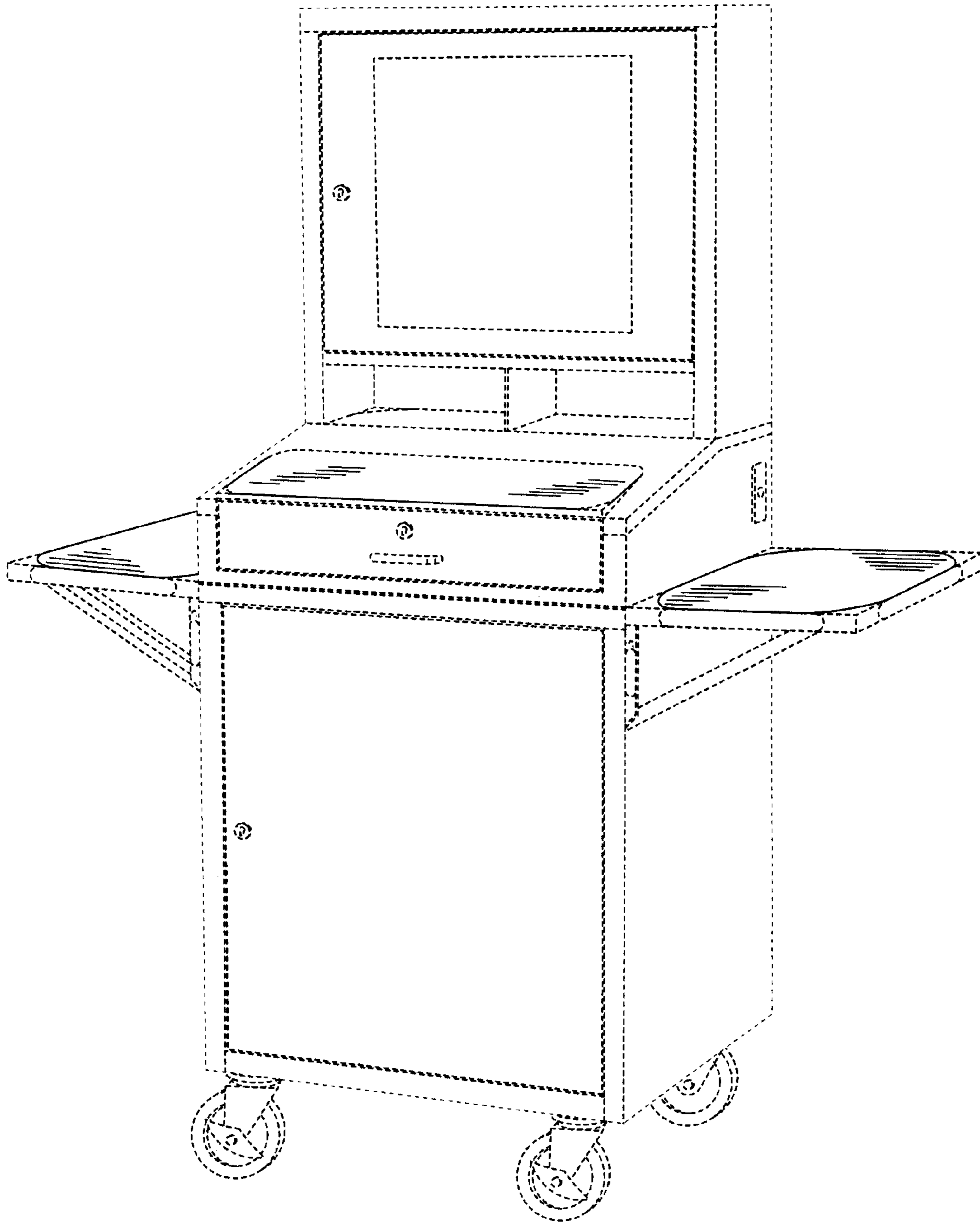


FIG. 1

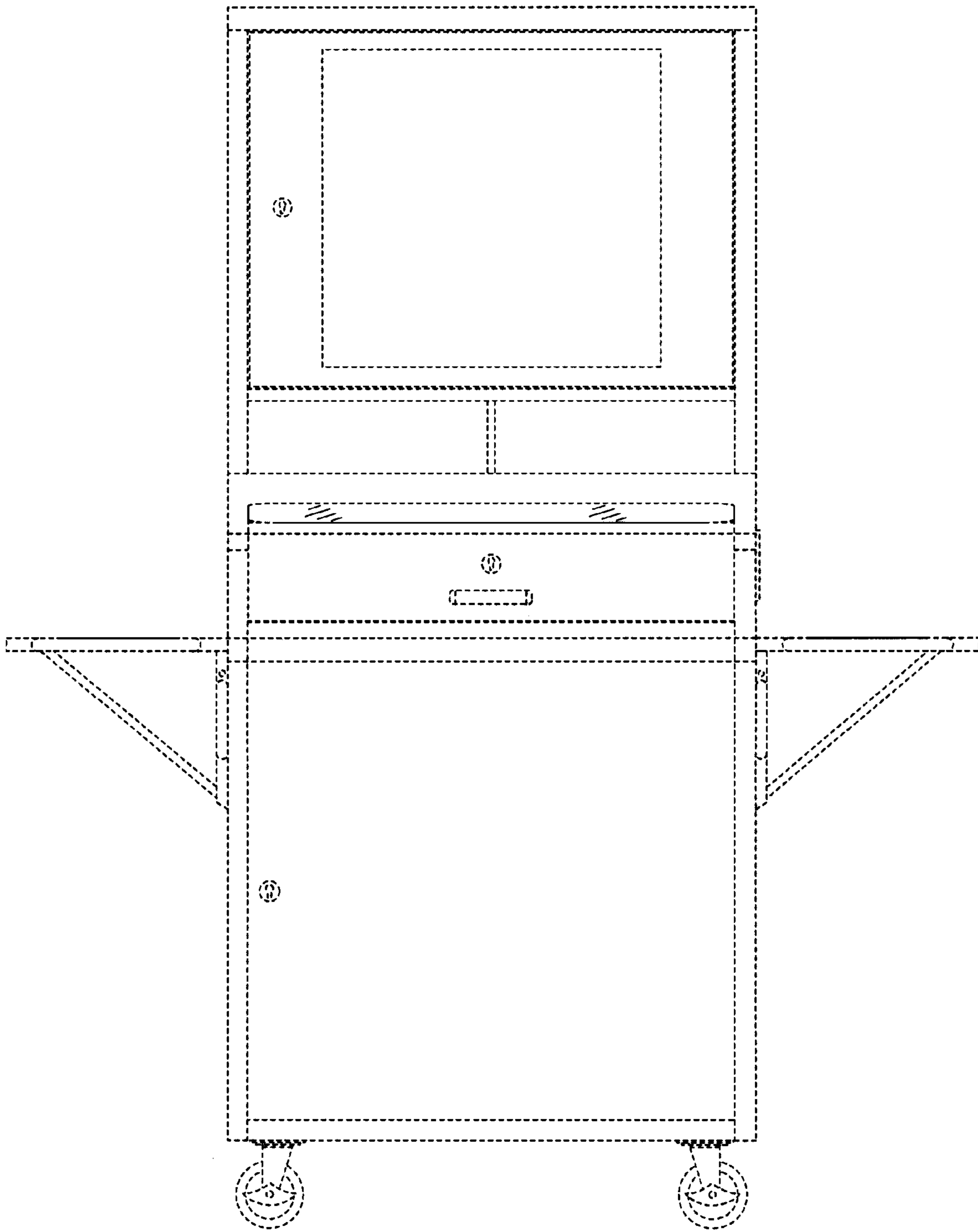


FIG. 2

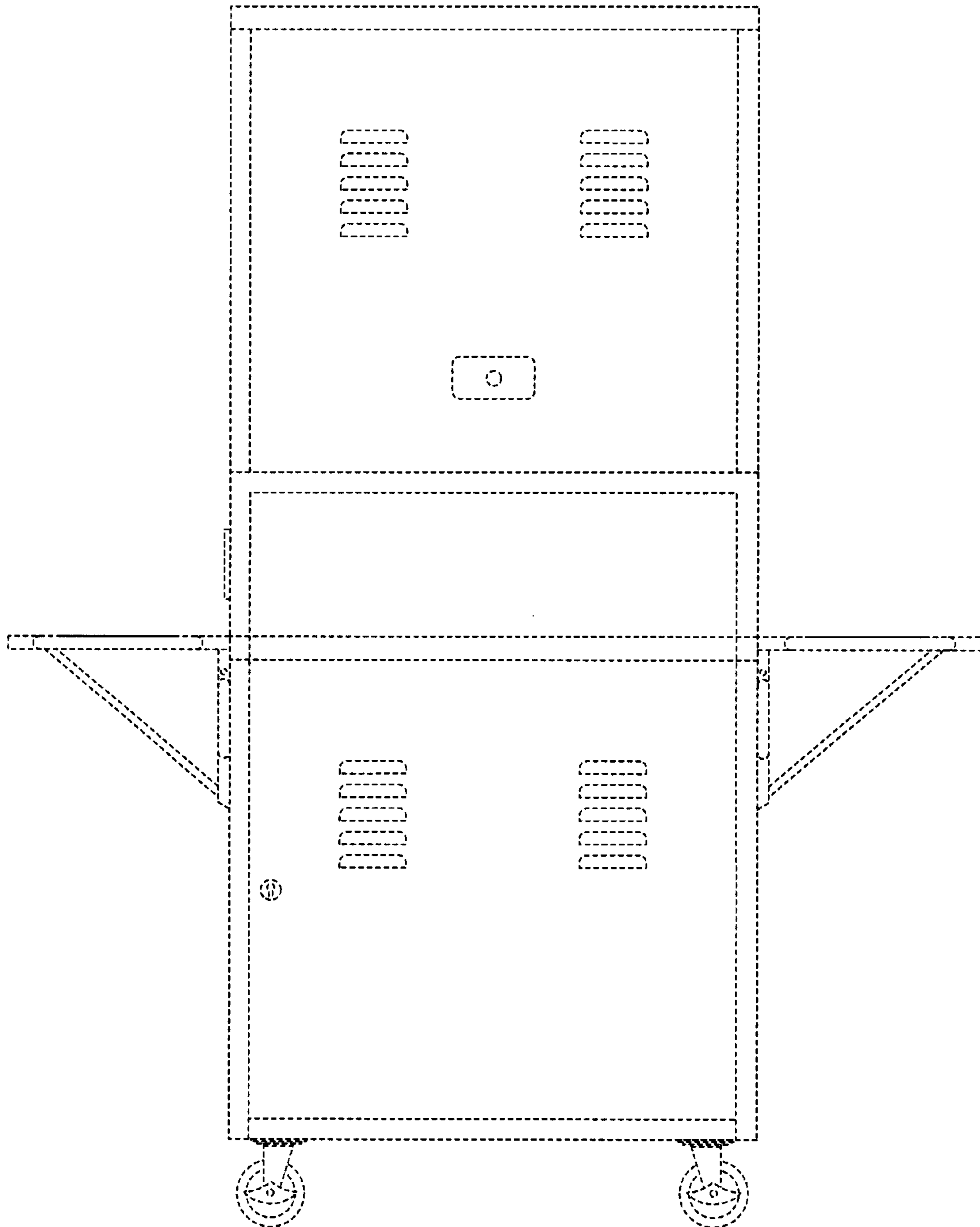


FIG. 3

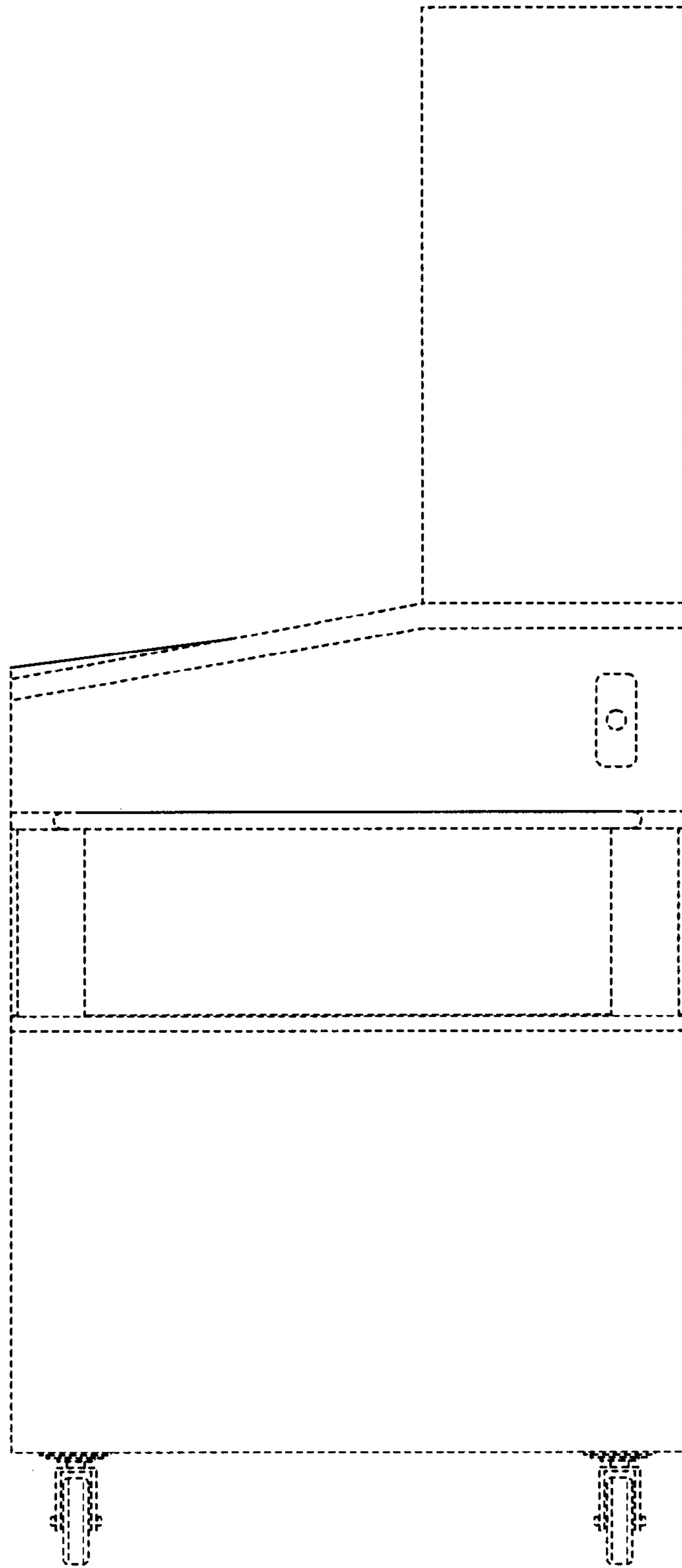


FIG. 4

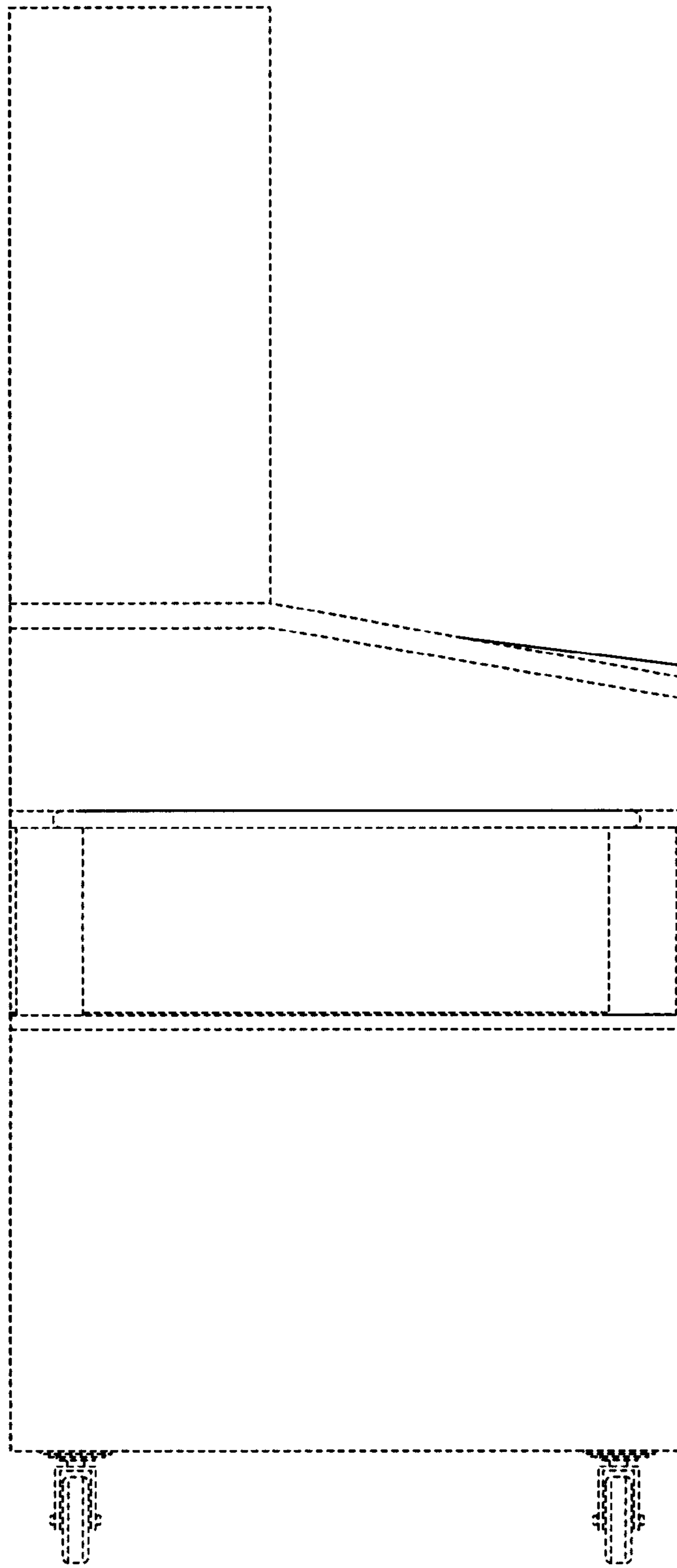


FIG. 5

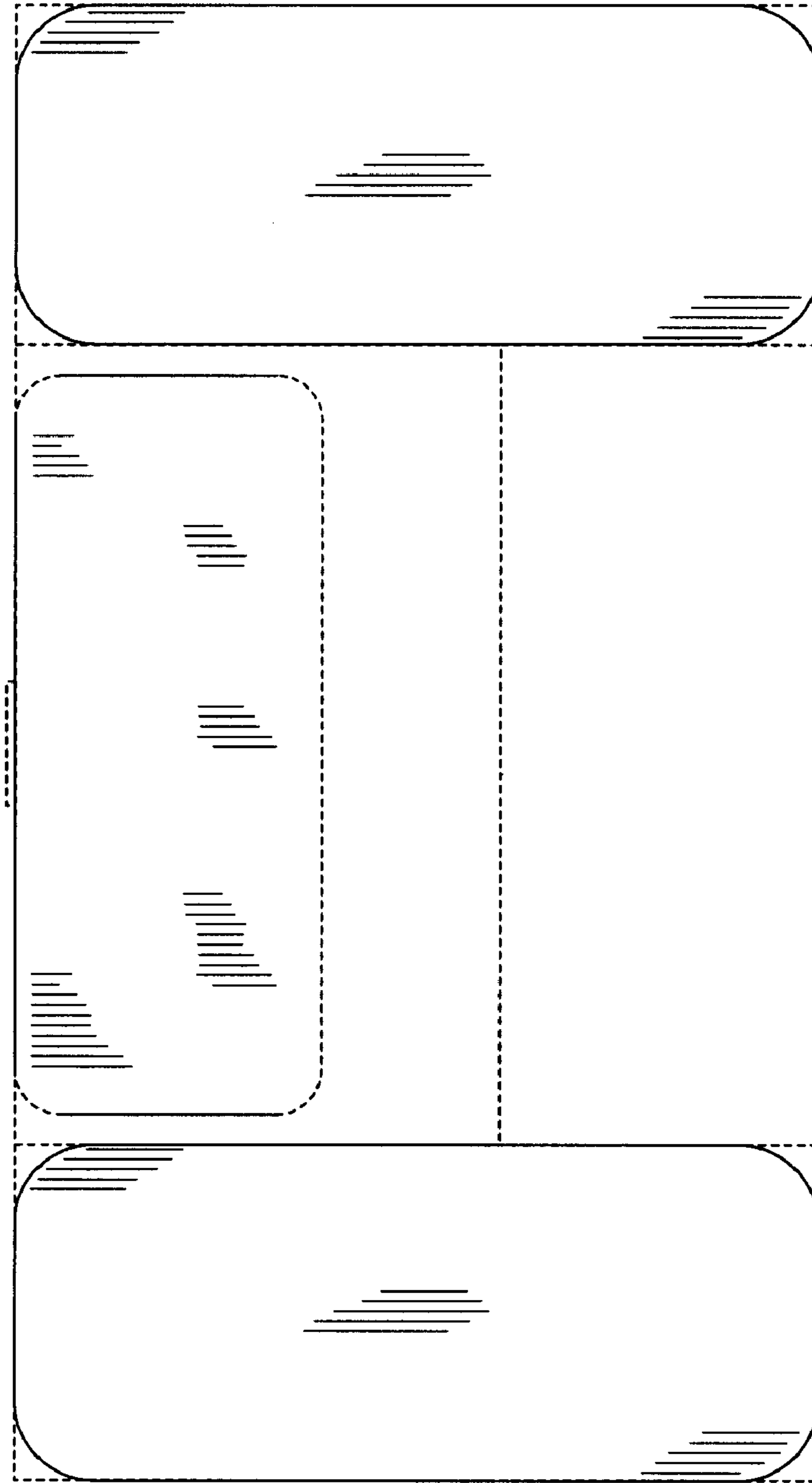


FIG. 6

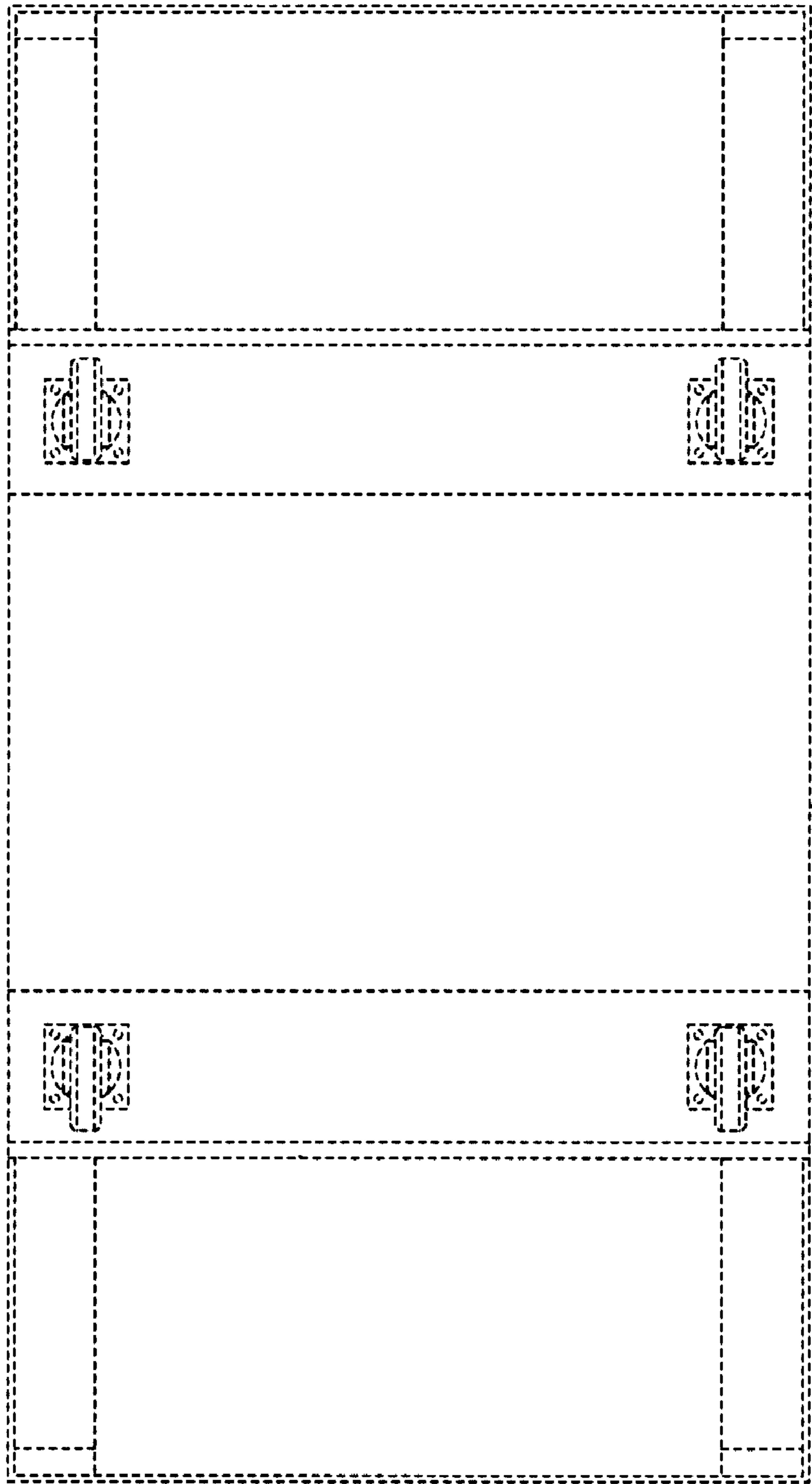


FIG. 7