



US00D549492S

(12) **United States Design Patent**
Sheppard

(10) **Patent No.:** **US D549,492 S**

(45) **Date of Patent:** **** Aug. 28, 2007**

(54) **TABLE**

(75) Inventor: **Peter Ralph Sheppard**, London (GB)

(73) Assignee: **Smallbone USA, Inc.**, New York, NY (US)

(**) Term: **14 Years**

(21) Appl. No.: **29/275,700**

(22) Filed: **Jan. 4, 2007**

(51) **LOC (8) Cl.** **06-03**

(52) **U.S. Cl.** **D6/485; D6/432; D6/480**

(58) **Field of Classification Search** D6/422,
D6/432, 451, 477, 480-489, 495; 108/152,
108/153.1, 156, 157.1, 157.18, 161; 312/194-197,
312/204, 241, 208.1; 248/188, 188.1, 188.8
See application file for complete search history.

(56) **References Cited**

U.S. PATENT DOCUMENTS

2,488,905	A *	11/1949	Ferris	312/241
3,655,253	A *	4/1972	Deeds et al.	312/194
3,814,033	A *	6/1974	Rudat et al.	108/108
4,886,326	A *	12/1989	Kuzyk	312/257.1
D330,123	S *	10/1992	Moschini	D6/422

5,183,319	A *	2/1993	Pearson et al.	312/196
5,683,154	A *	11/1997	Chang	312/194
D406,964	S *	3/1999	Lewis	D6/485
D427,814	S *	7/2000	Black	D6/484
D432,333	S *	10/2000	Perin	D6/485
D449,471	S *	10/2001	Petersen	D6/495
D466,337	S *	12/2002	Feng	D6/485

* cited by examiner

Primary Examiner—Mimosa De

(74) *Attorney, Agent, or Firm*—Alston & Bird LLP

(57) **CLAIM**

The ornamental design for table, as shown and described.

DESCRIPTION

FIG. 1 is a perspective view of a table showing my new design;

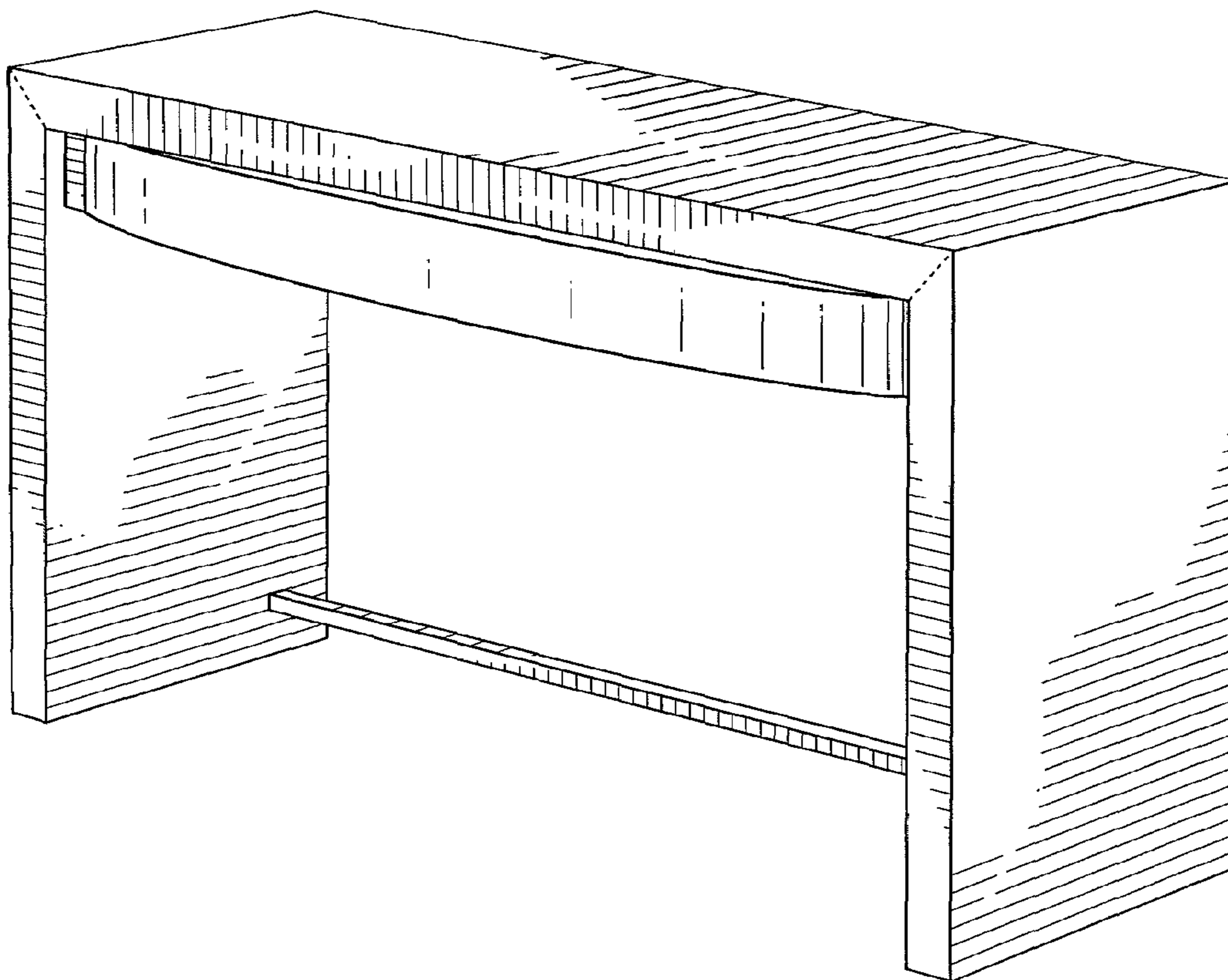
FIG. 2 is a front elevation view thereof;

FIG. 3 is a top plan view thereof; and,

FIG. 4 is a right side elevation view thereof, the left side elevation view being a mirror image thereof.

The broken lines shown herein are for illustrative purposes only and form no part of the claimed design.

1 Claim, 4 Drawing Sheets



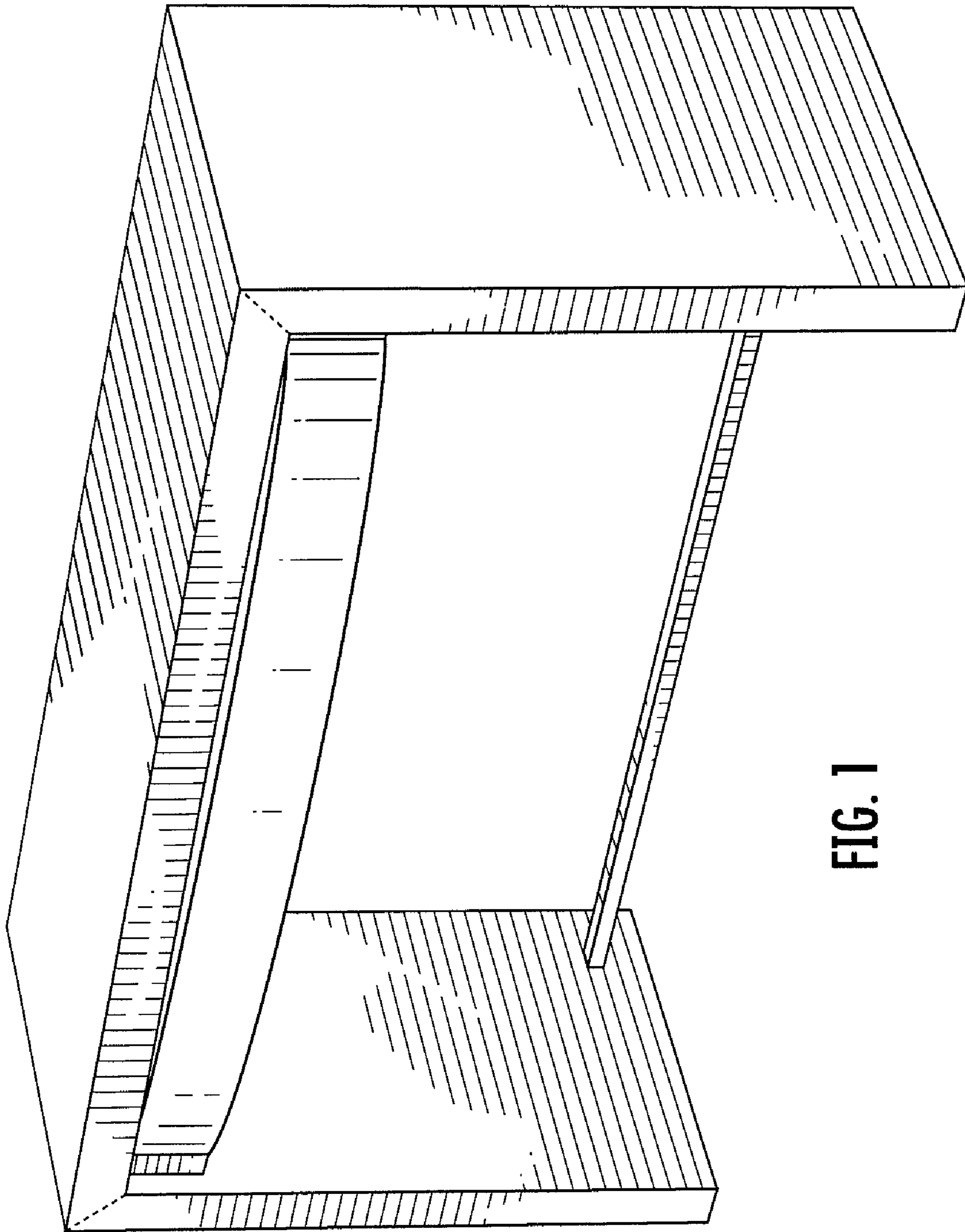


FIG. 1

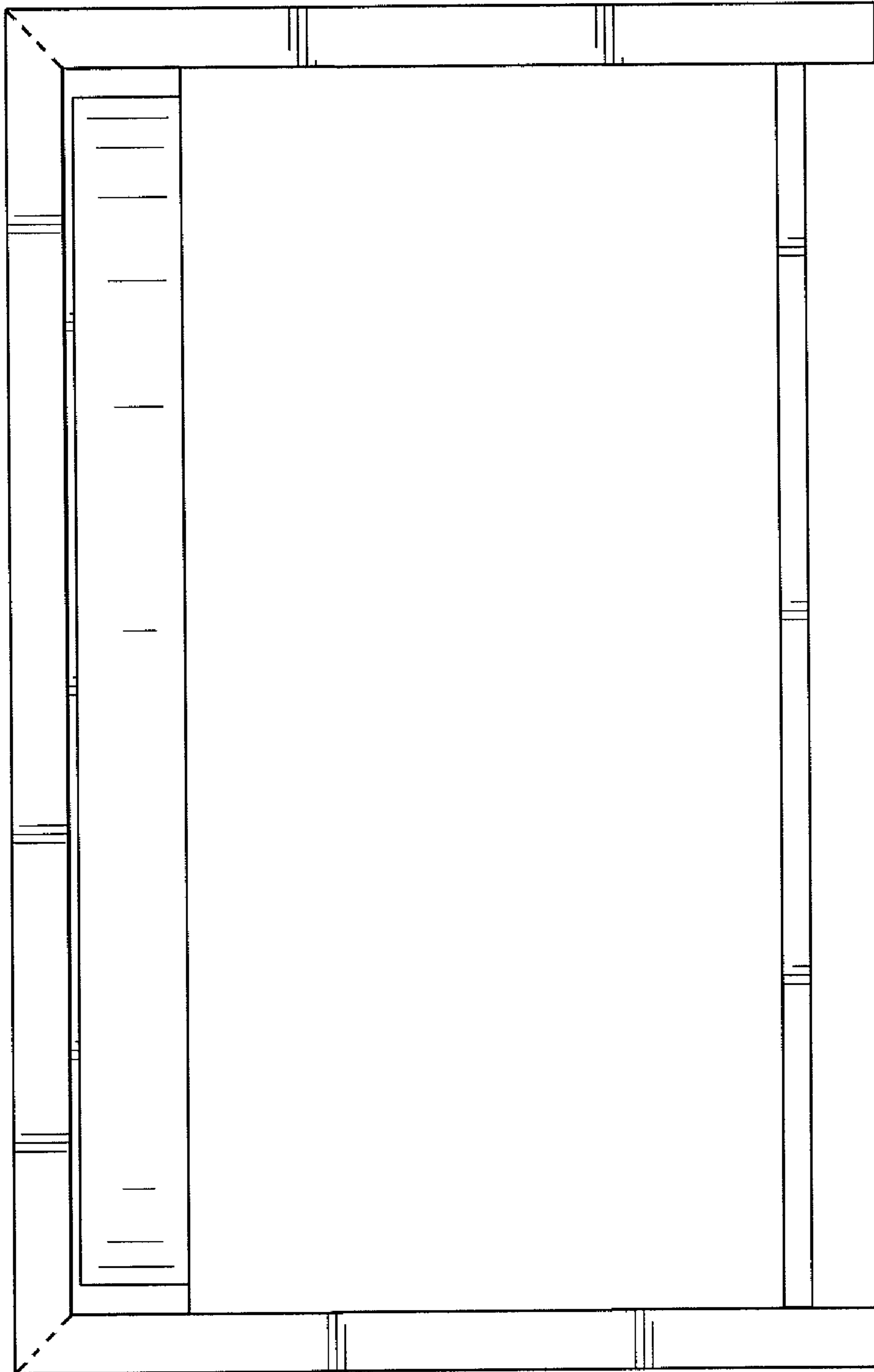


FIG. 2

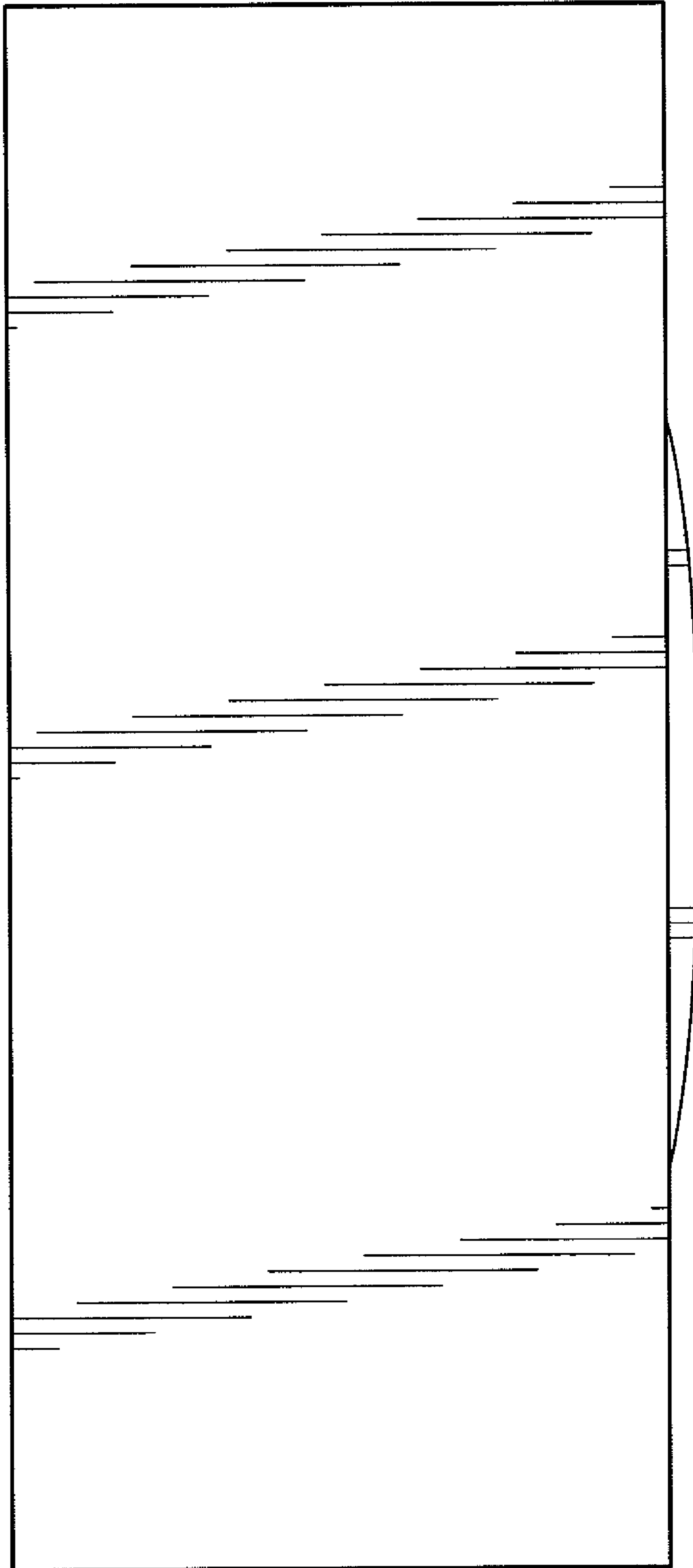


FIG. 3

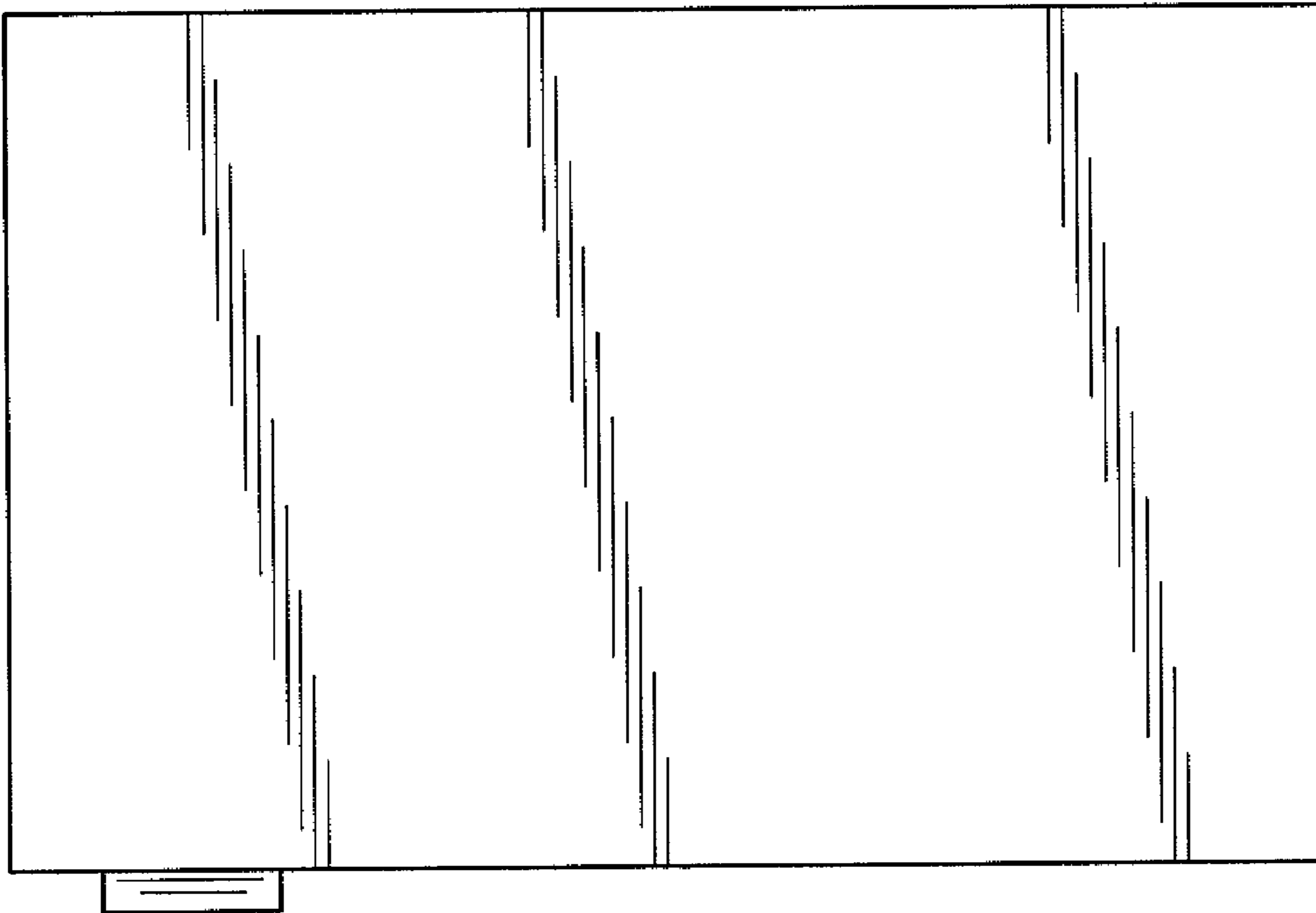


FIG. 4