



US00D549491S

(12) **United States Design Patent**
Brimacombe et al.

(10) **Patent No.:** **US D549,491 S**

(45) **Date of Patent:** **** Aug. 28, 2007**

(54) **TABLE**

(75) Inventors: **Steven John Brimacombe**, Teddington (GB); **Stephen Nicholas Charles**, Sutton (GB)

(73) Assignee: **Smallbone USA, Inc.**, New York, NY (US)

(**) Term: **14 Years**

(21) Appl. No.: **29/275,704**

(22) Filed: **Jan. 4, 2007**

(51) **LOC (8) Cl.** **06-03**

(52) **U.S. Cl.** **D6/480; D6/432**

(58) **Field of Classification Search** D6/432, D6/436, 438, 444, 445, 446, 448, 480-489, D6/495; 108/151, 153.1, 155, 156, 157.1, 108/161; 312/195, 204, 208.3, 241, 257.1, 312/265.1; 248/188, 188.1, 188.8

See application file for complete search history.

(56) **References Cited**

U.S. PATENT DOCUMENTS

- 1,700,202 A * 1/1929 Langford 312/195
- 2,172,605 A * 9/1939 Bourn 312/208.3
- D181,538 S * 11/1957 Lubberts er al. D6/448

- 2,946,639 A * 7/1960 Stanton 312/265.1
- D204,990 S * 6/1966 Klein et al. D6/448
- D205,290 S * 7/1966 Klein et al. D6/446
- 3,926,488 A * 12/1975 Amos 312/241
- D303,594 S * 9/1989 Keller et al. D6/444
- 5,944,396 A * 8/1999 Stephan 312/204
- D457,748 S * 5/2002 Wistehuff, Sr. D6/436
- D518,312 S * 4/2006 Auten D6/446

* cited by examiner

Primary Examiner—Mimosa De

(74) *Attorney, Agent, or Firm*—Alston & Bird LLP

(57) **CLAIM**

The ornamental design for a table, as shown and described.

DESCRIPTION

FIG. 1 is a perspective view of a table showing our new design;

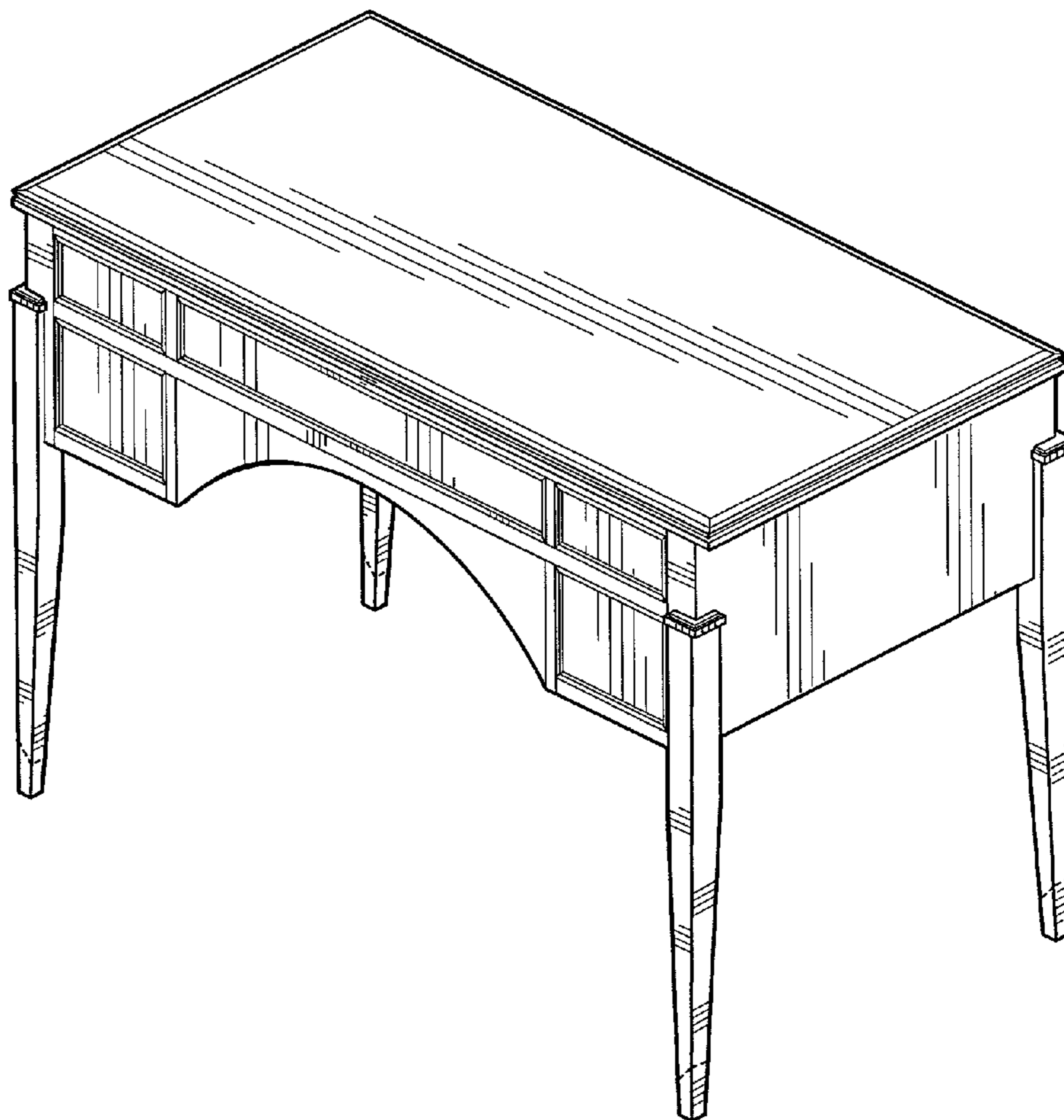
FIG. 2 is a front elevation view thereof;

FIG. 3 is a top plan view thereof; and,

FIG. 4 is a right side elevation view thereof, the left side elevation view being a mirror image thereof.

The broken lines shown herein are for illustrative purposes only and form no part of the claimed design.

1 Claim, 3 Drawing Sheets



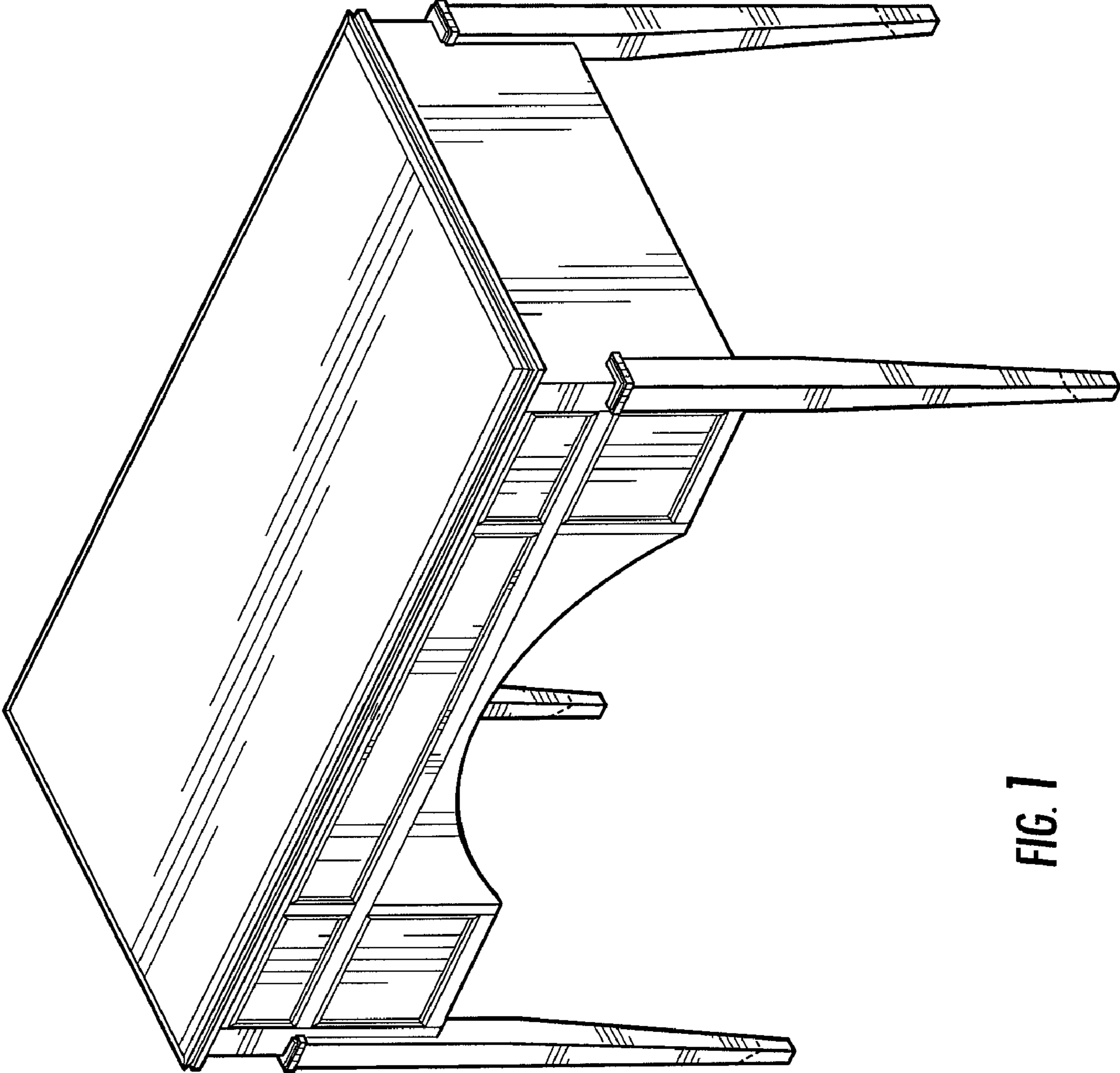


FIG. 1

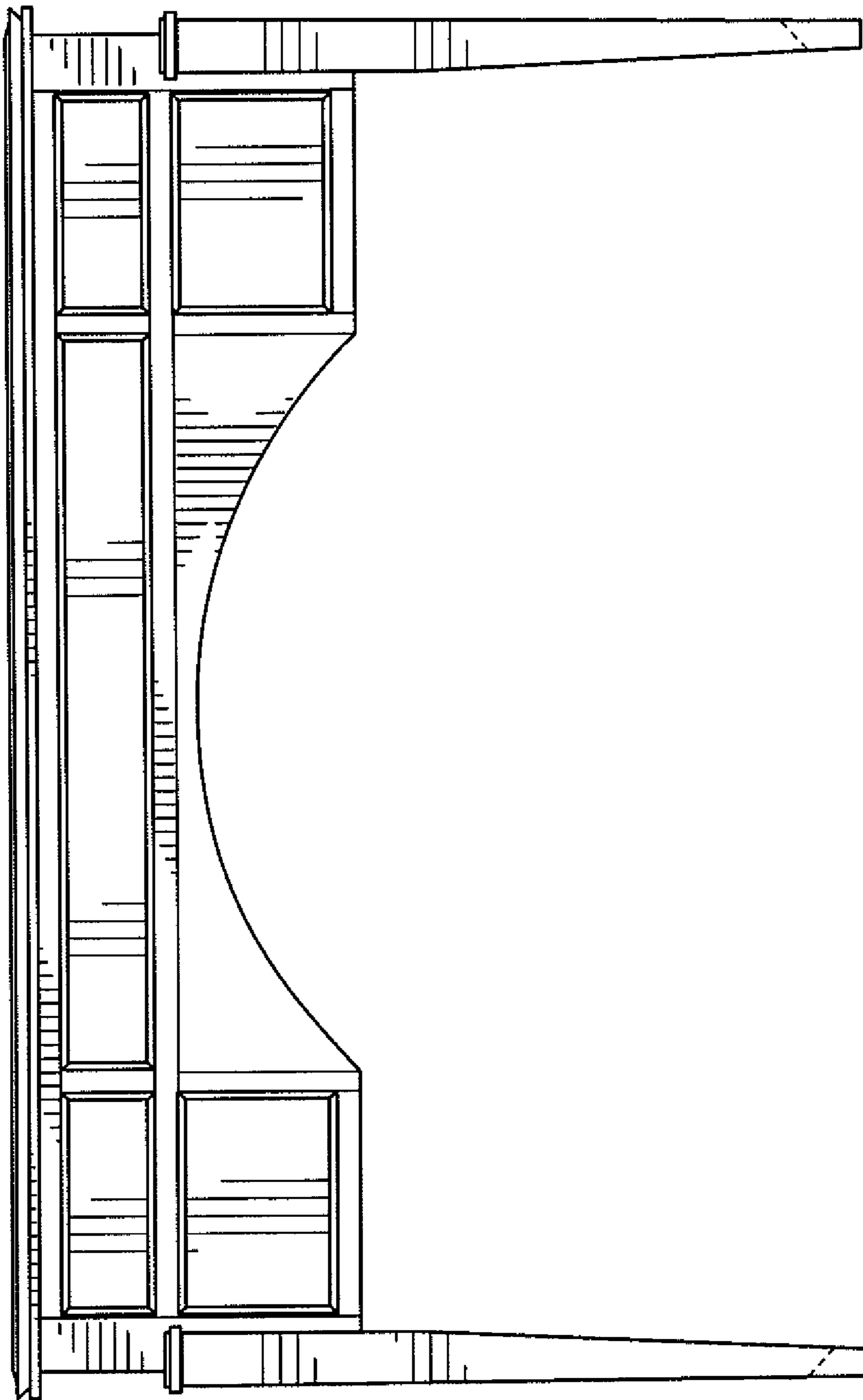


FIG. 2

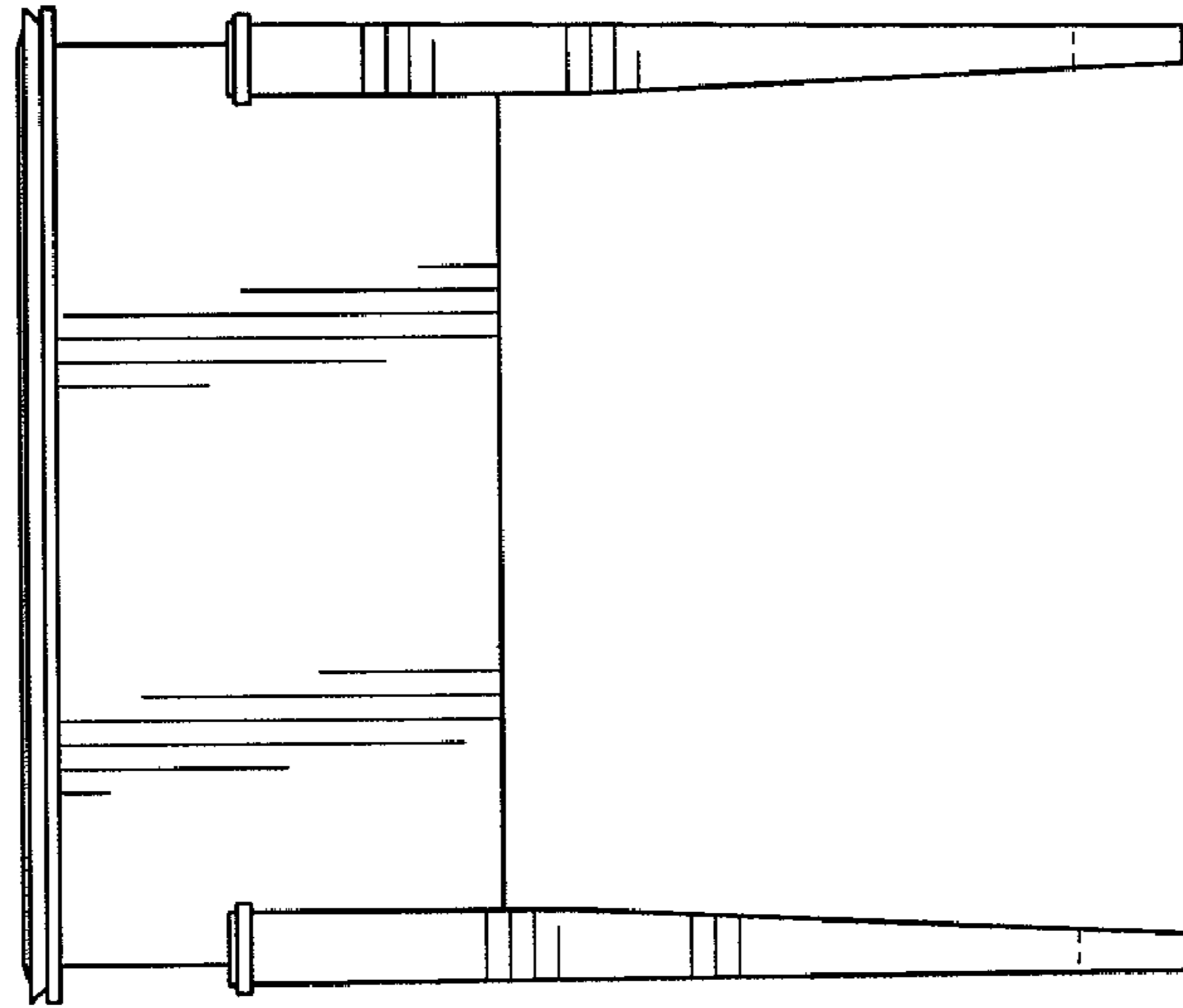


FIG. 4

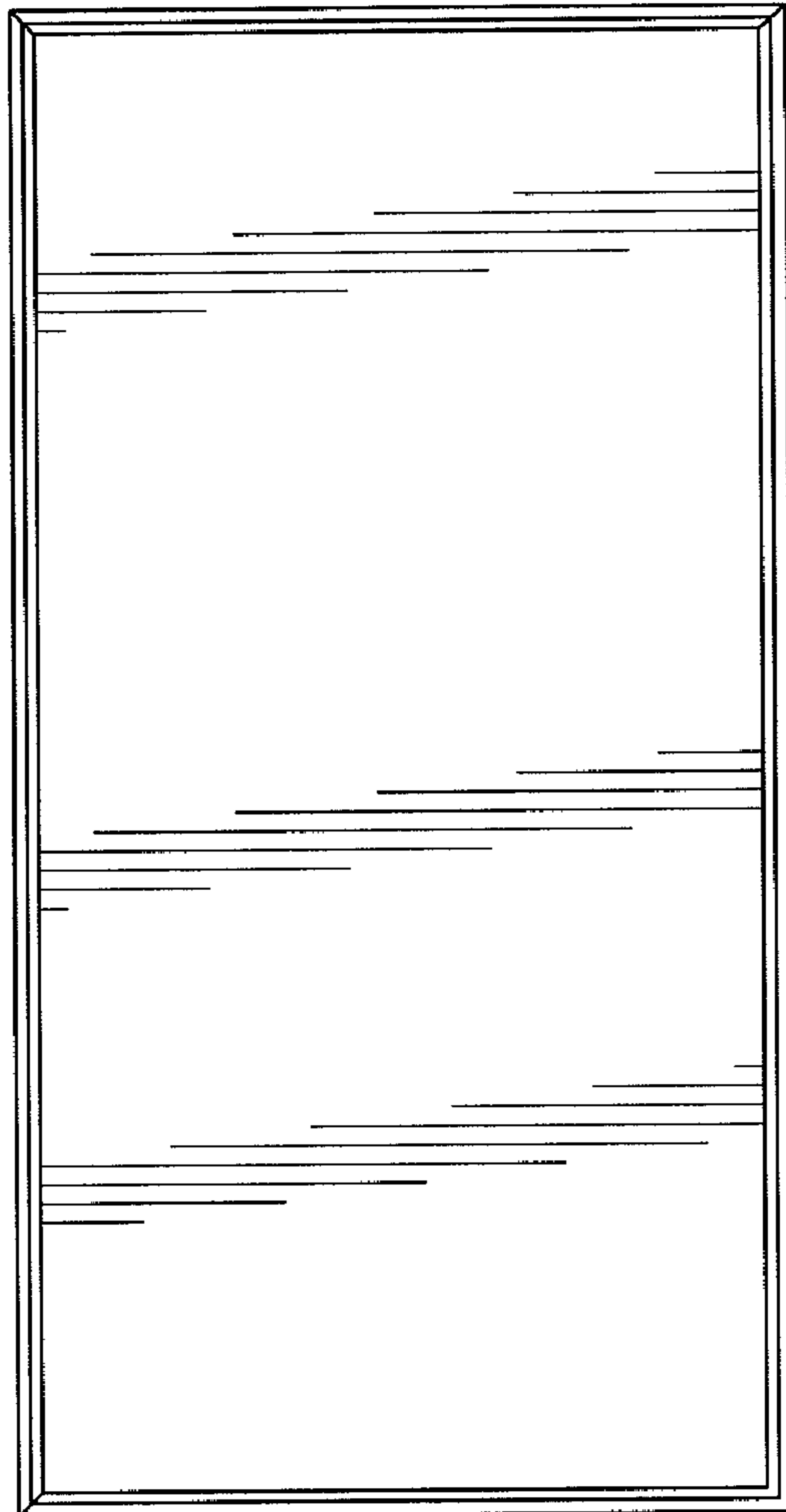


FIG. 3