



US00D549489S

(12) **United States Design Patent**
Kreiss

(10) **Patent No.:** **US D549,489 S**

(45) **Date of Patent:** **** Aug. 28, 2007**

(54) **TABLE**

(75) Inventor: **Michael Kreiss**, San Diego, CA (US)

(73) Assignee: **Kreiss Enterprises, Inc.**, San Diego, CA (US)

(**) Term: **14 Years**

(21) Appl. No.: **29/247,293**

(22) Filed: **Jun. 9, 2006**

(51) **LOC (8) Cl.** **06-04**

(52) **U.S. Cl.** **D6/479**

(58) **Field of Classification Search** D6/461,
D6/470-471, 473-474, 476-479, 484, 630;
108/27, 155-156, 161, 91-92; 248/188,
248/188.1, 188.8

See application file for complete search history.

(56) **References Cited**

U.S. PATENT DOCUMENTS

- D97,351 S * 10/1935 Kipp D6/476
- D141,386 S * 5/1945 Rosenfeld D6/479
- D304,789 S * 11/1989 Scholl D6/484
- D370,142 S * 5/1996 Konecny D6/479
- D407,241 S * 3/1999 Lewis D6/461
- D422,166 S * 4/2000 Black D6/479

OTHER PUBLICATIONS

All Things For Home.com □ □ Oval Cocktail Table □ □ Nov. 29, 2006.*

Wal Mart □ □ London 3 Tier Coffee Table □ □ Nov. 29, 2006.*

* cited by examiner

Primary Examiner—Caron D. Veynar

Assistant Examiner—Kelley A. Donnelly

(74) *Attorney, Agent, or Firm*—Kleinberg & Lerner, LLP;
Marvin H. Kleinberg

(57) **CLAIM**

The ornamental design for a table, as shown and described.

DESCRIPTION

FIG. 1 is a perspective view of the table of the present invention;

FIG. 2 is a front view of the table of FIG. 1;

FIG. 3 is a rear view of the table of FIG. 1;

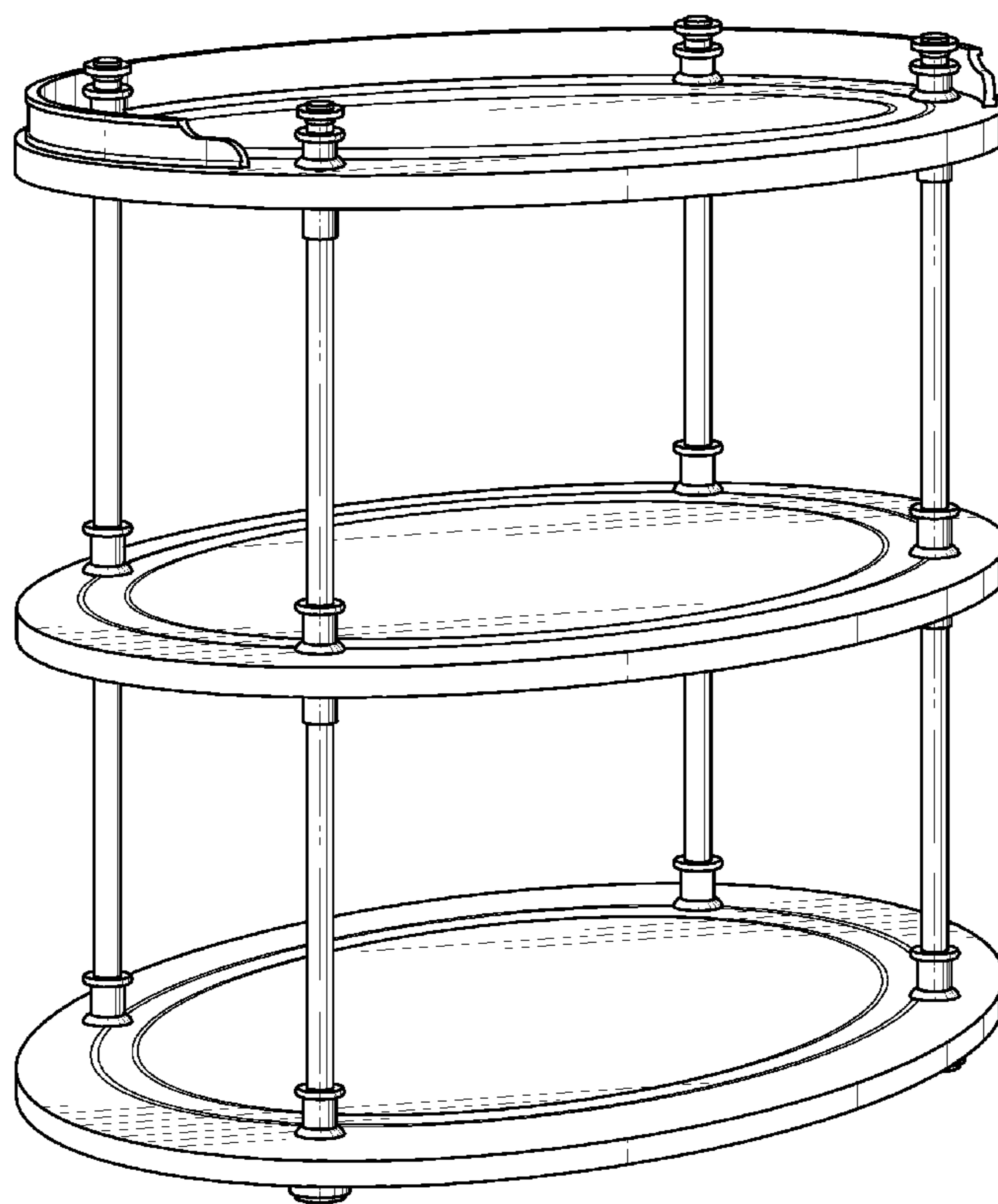
FIG. 4 is a top view of the table of FIG. 1;

FIG. 5 is a bottom view of the table of FIG. 1; and,

FIG. 6 is a side view of the table of FIG. 1.

The table of the present invention is symmetrical and the left and right sides are identical.

1 Claim, 5 Drawing Sheets



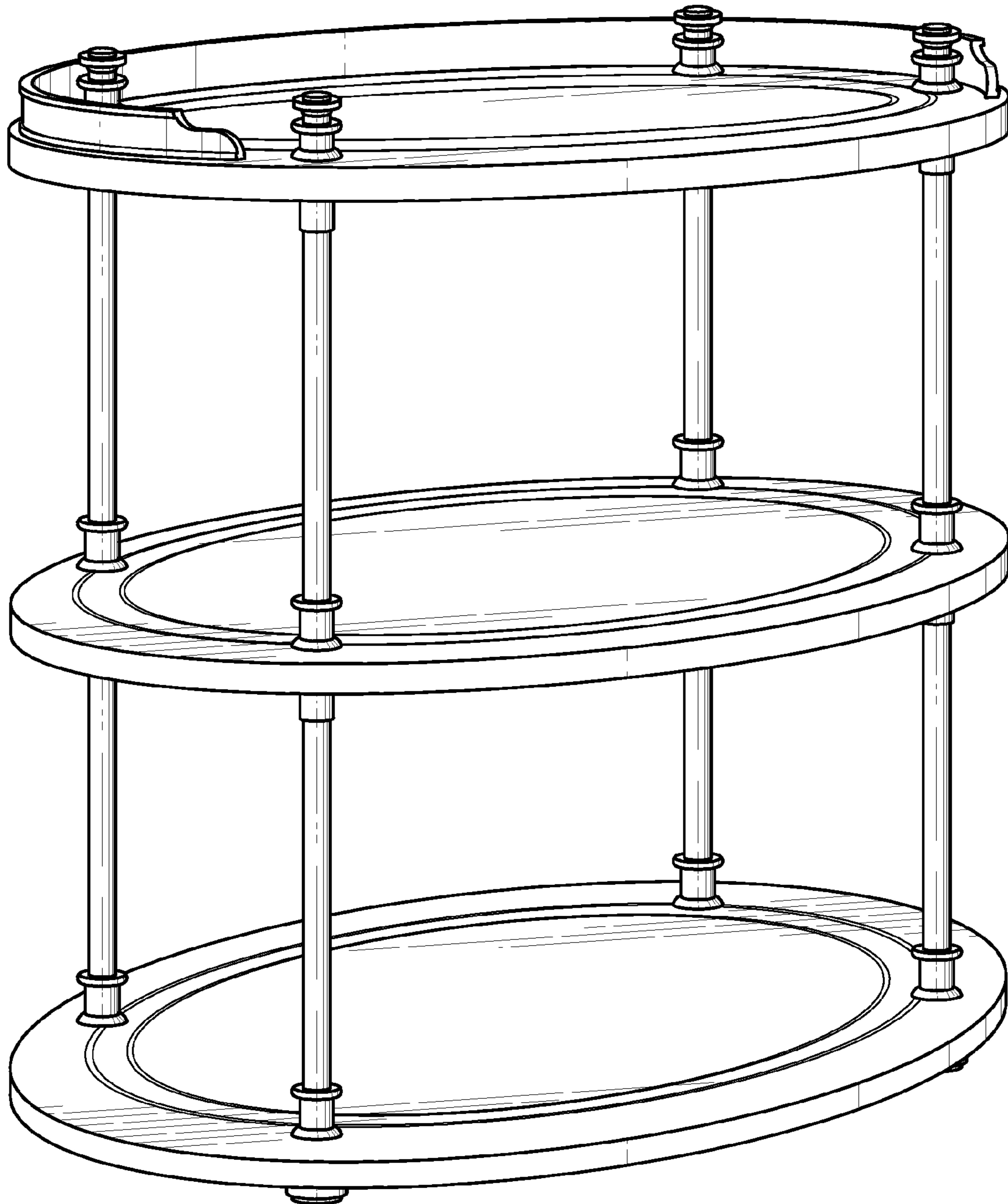


FIG. 1

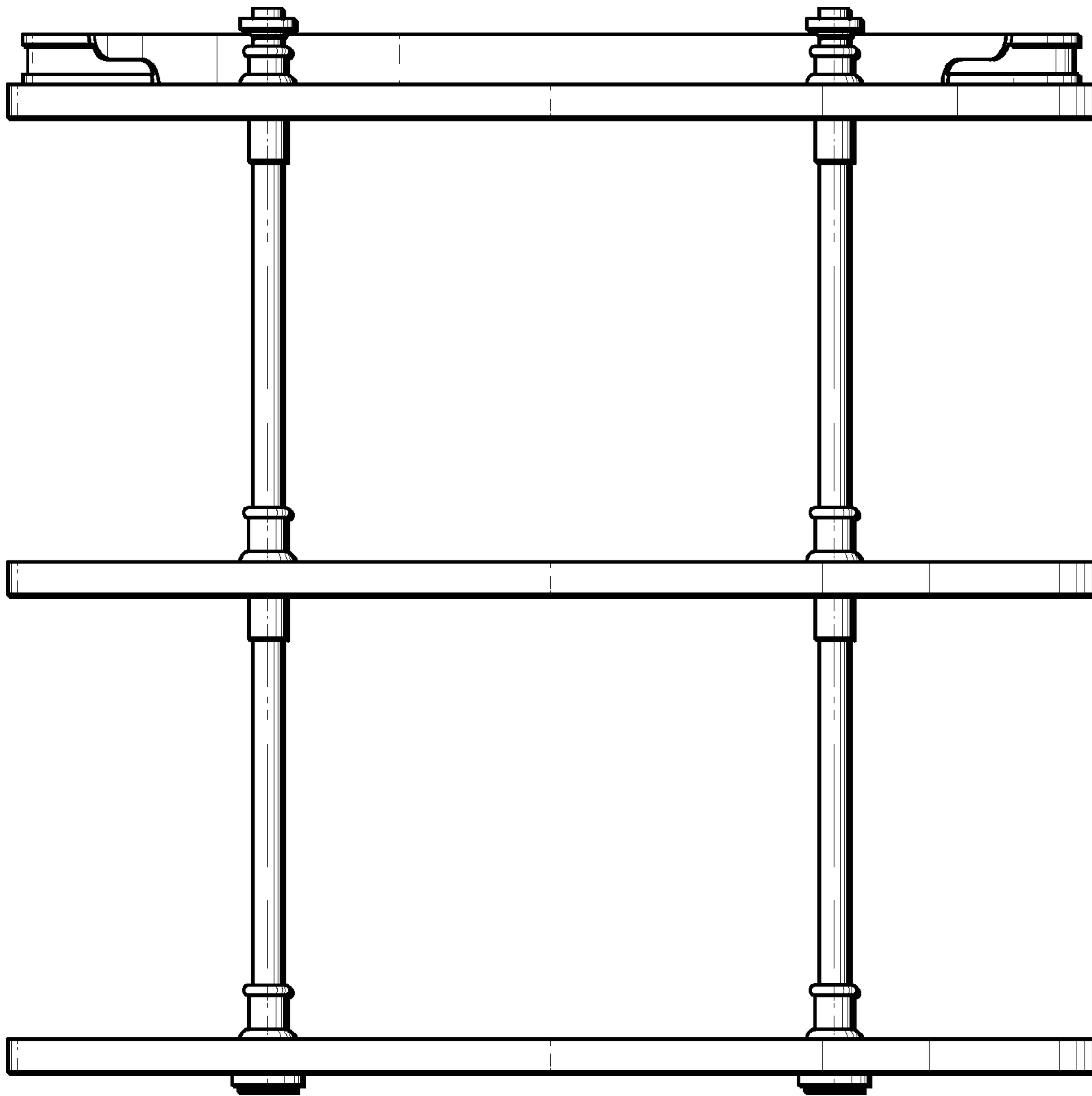


FIG. 2

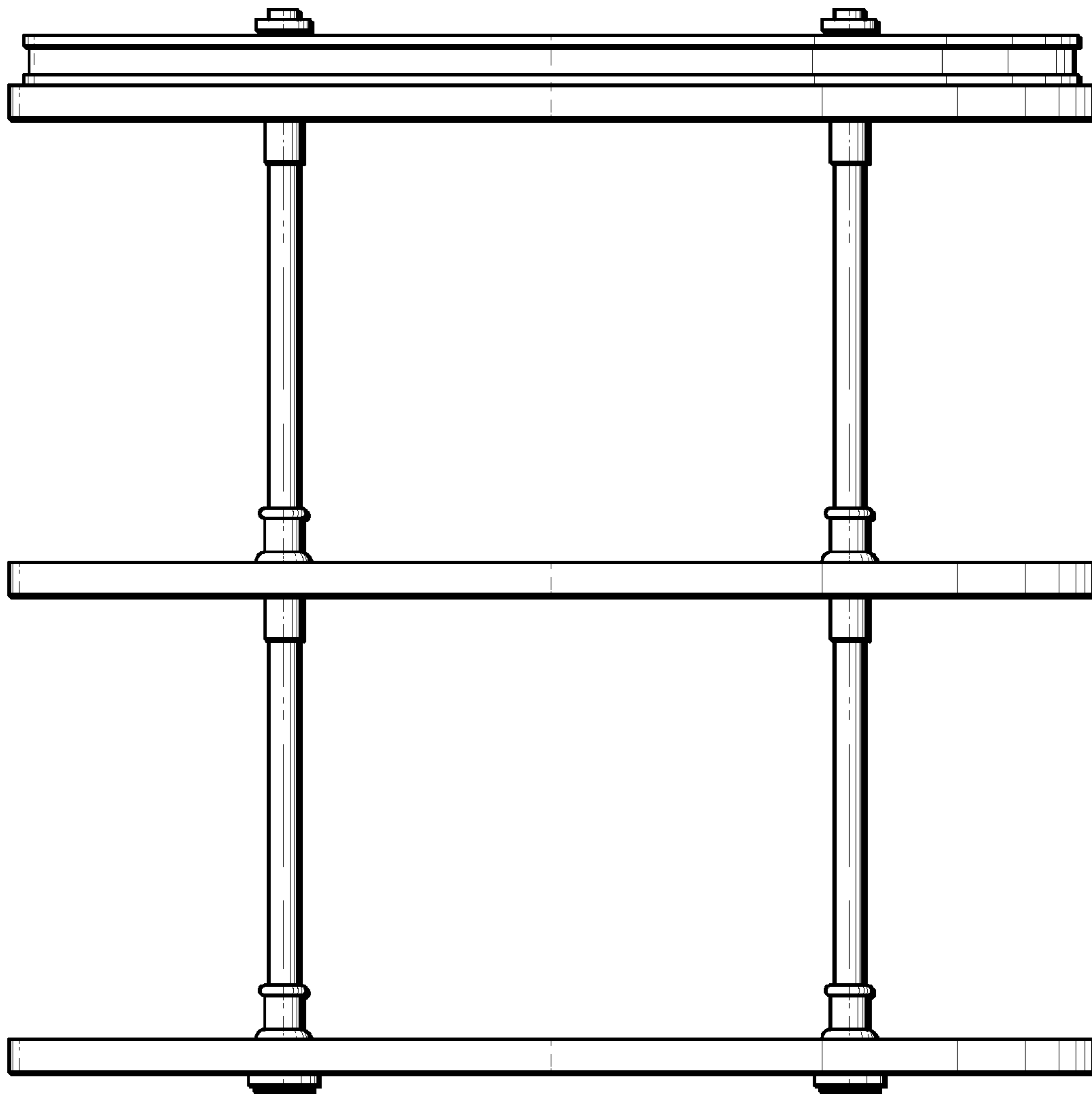


FIG. 3

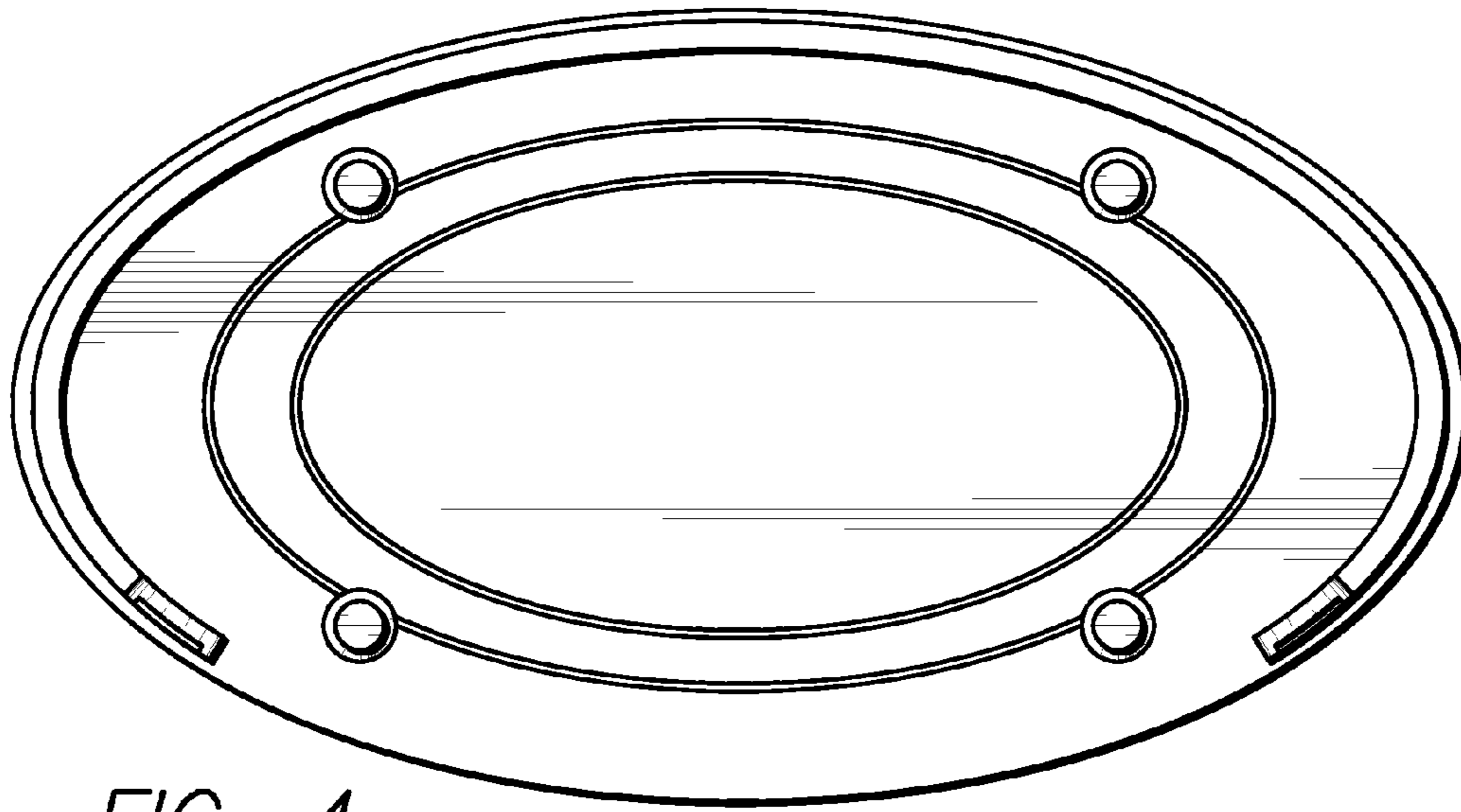


FIG. 4

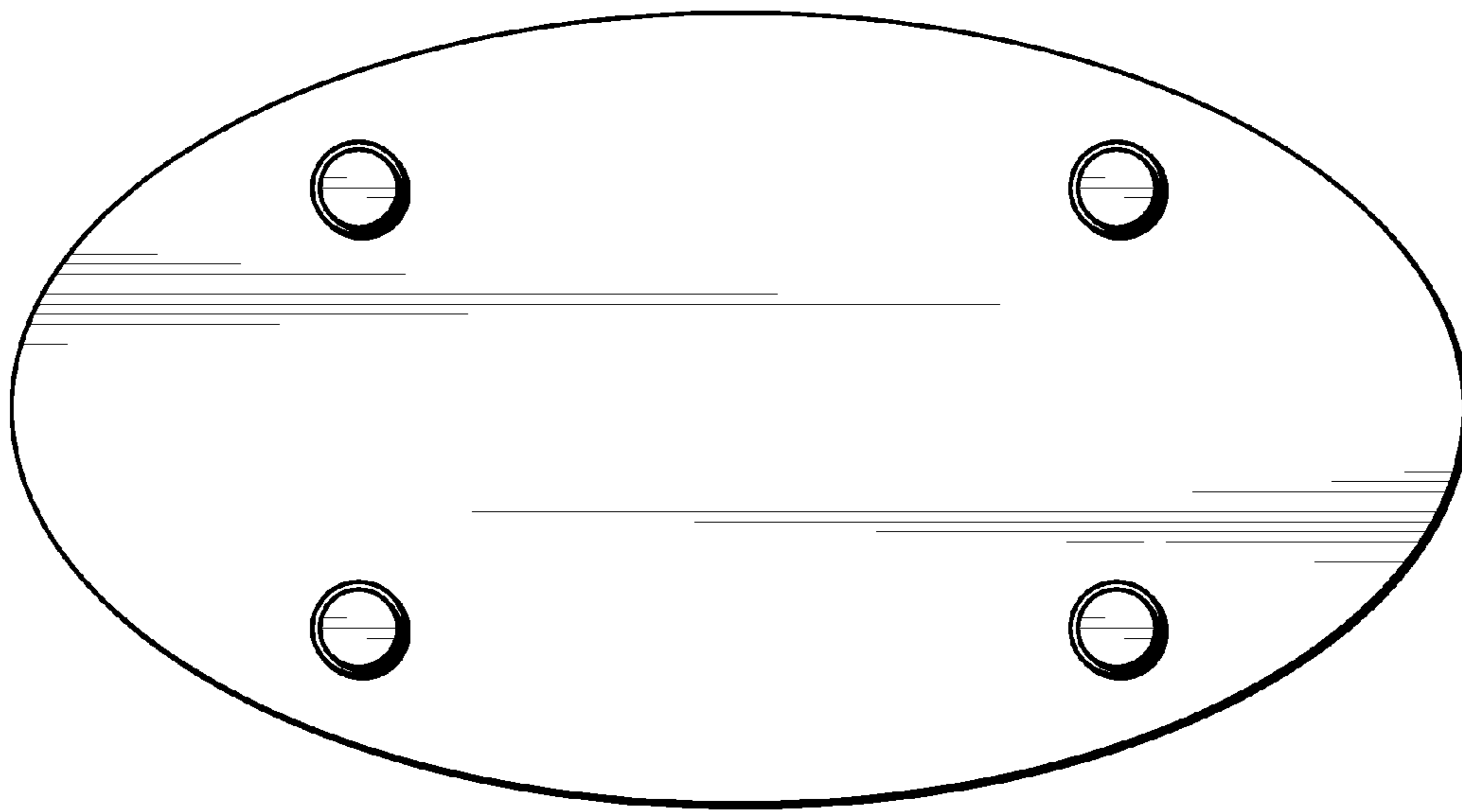


FIG. 5

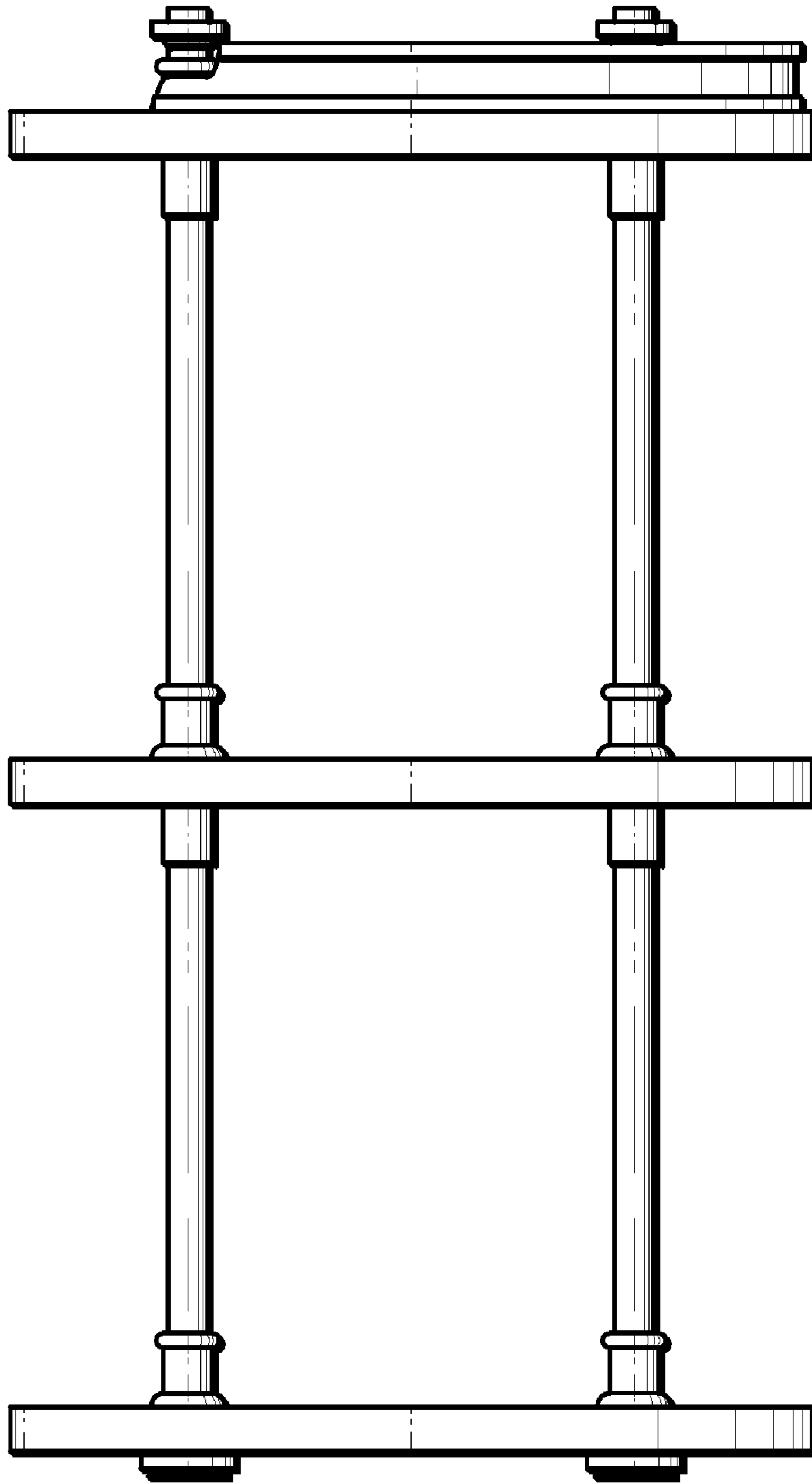


FIG. 6