



US00D549476S

(12) **United States Design Patent**
Chu

(10) **Patent No.:** **US D549,476 S**

(45) **Date of Patent:** **** Aug. 28, 2007**

(54) **CHAIR**

(75) Inventor: **Zoocy C. Chu**, Grand Rapids, MI (US)

(73) Assignee: **Plus Corporation**, Tokyo (JP)

(**) Term: **14 Years**

(21) Appl. No.: **29/265,258**

(22) Filed: **Aug. 29, 2006**

(30) **Foreign Application Priority Data**

Jun. 7, 2006 (JP) 2006-014641

(51) **LOC (8) Cl.** **06-01**

(52) **U.S. Cl.** **D6/366**

(58) **Field of Classification Search** D6/334-336,
D6/356, 364-367, 374, 375, 379, 380, 498,
D6/500-50; 297/411.2, 411.27, 452.21,
297/452.29, 452.32, 452.35

See application file for complete search history.

(56) **References Cited**

U.S. PATENT DOCUMENTS

D477,469 S * 7/2003 Brooks D6/366
D505,798 S * 6/2005 Seiler D6/366
D514,338 S * 2/2006 Bellin D6/366
D517,820 S * 3/2006 Citterio D6/366

D523,252 S * 6/2006 Rodriguez Leitao D6/366
D534,748 S * 1/2007 Chu D6/502
D535,112 S * 1/2007 Bennett et al. D6/366
D535,830 S * 1/2007 Bennett et al. D6/366

* cited by examiner

Primary Examiner—Mimosa De

(74) *Attorney, Agent, or Firm*—Bingham McCutchen LLP

(57) **CLAIM**

The ornamental design for a chair, as shown and described.

DESCRIPTION

FIG. 1 is a front elevation view of a chair of my new design;
FIG. 2 is a rear elevation view of the chair of FIG. 1;
FIG. 3 is a top plan view of the chair of FIG. 1;
FIG. 4 is an underneath plan view of the chair of FIG. 1;
FIG. 5 is a right side view of the chair of FIG. 1; and
FIG. 6 is a left side view of the chair of FIG. 1.
FIG. 7 is a cross-sectional view of the chair of FIG. 1.
FIG. 8 is a left front perspective view of the chair of FIG. 1;
and,
FIG. 9 is a left rear perspective view of the chair of FIG. 1.

1 Claim, 9 Drawing Sheets

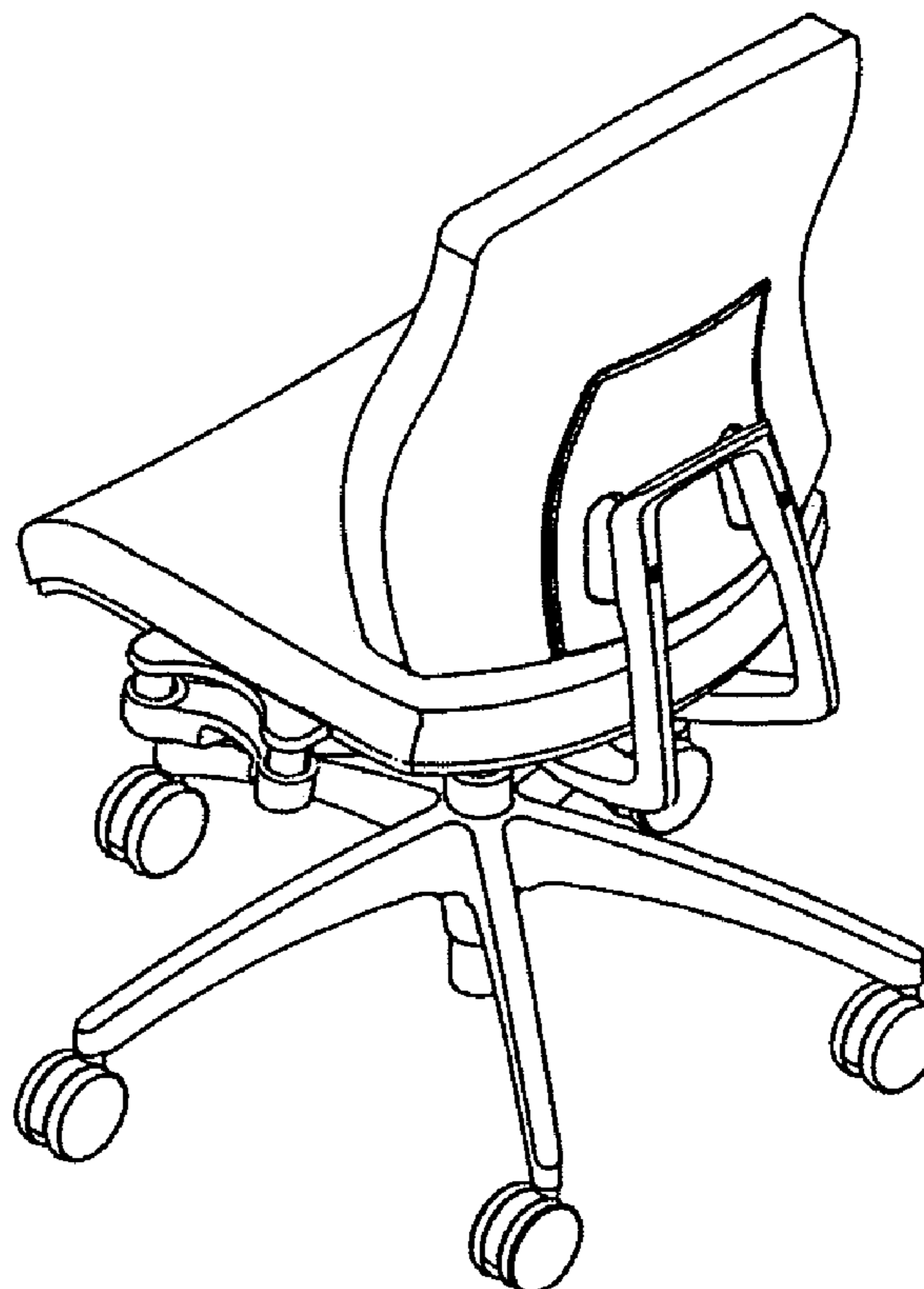
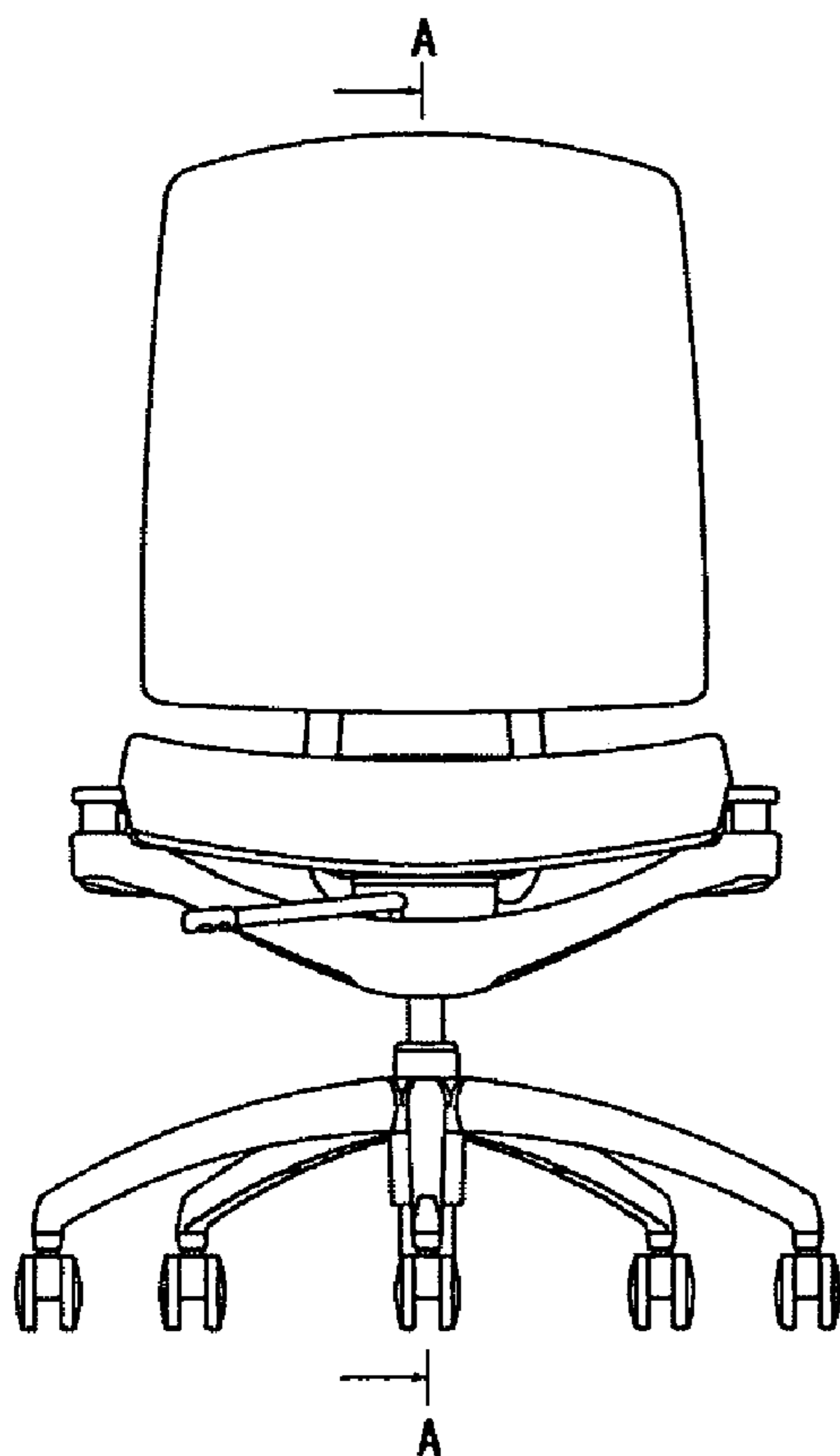


FIG. 1

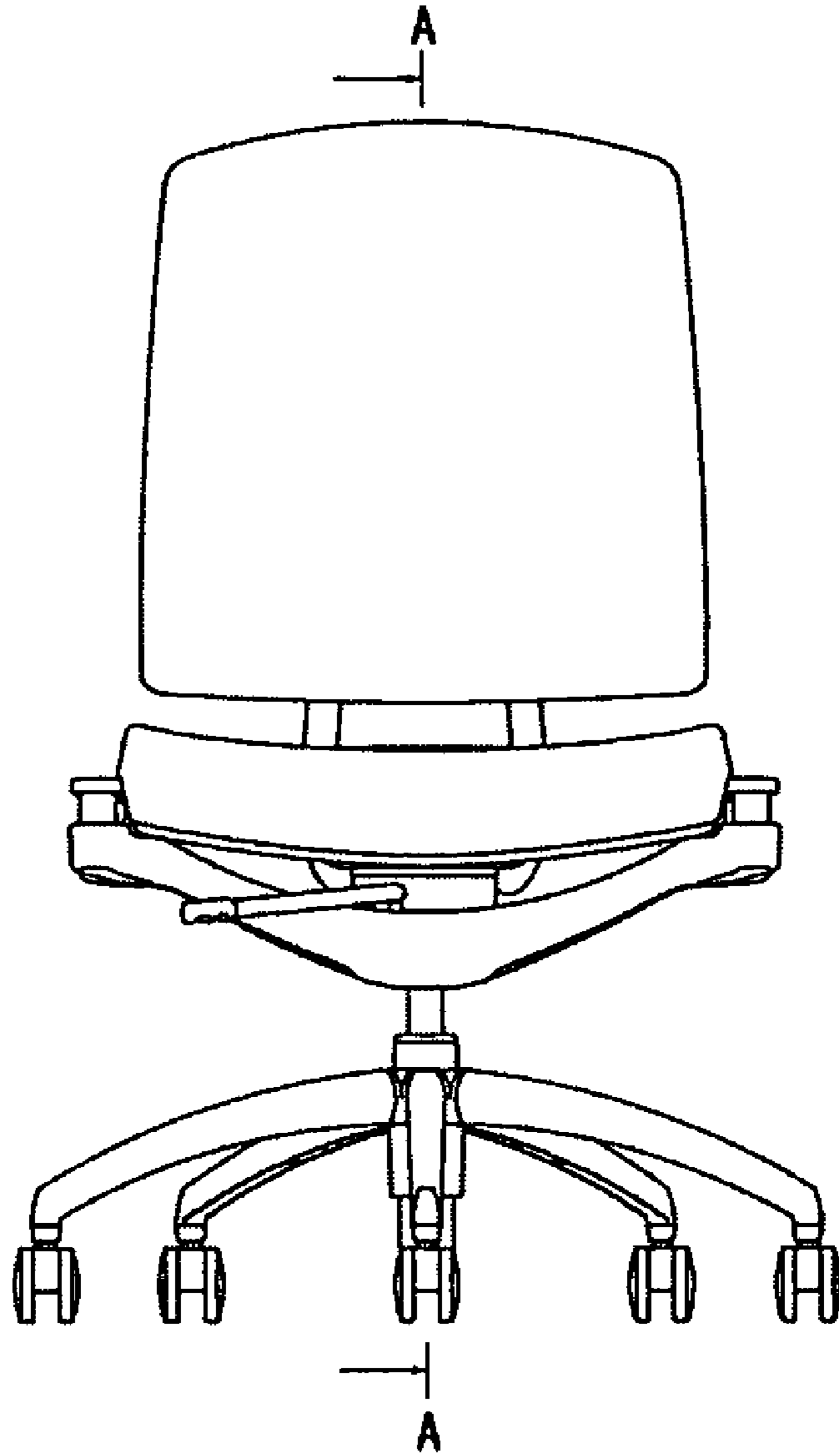


FIG. 2

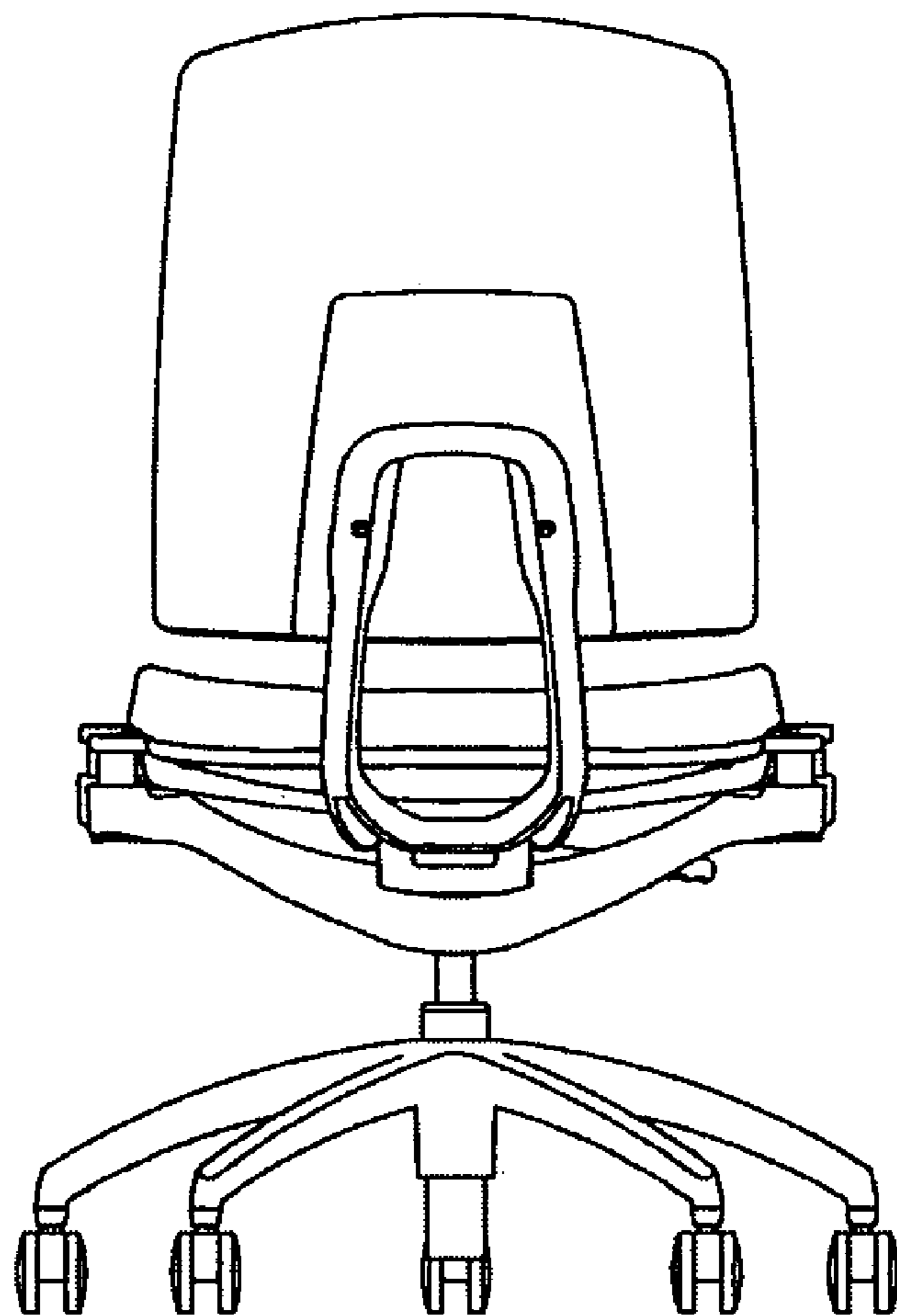


FIG. 3

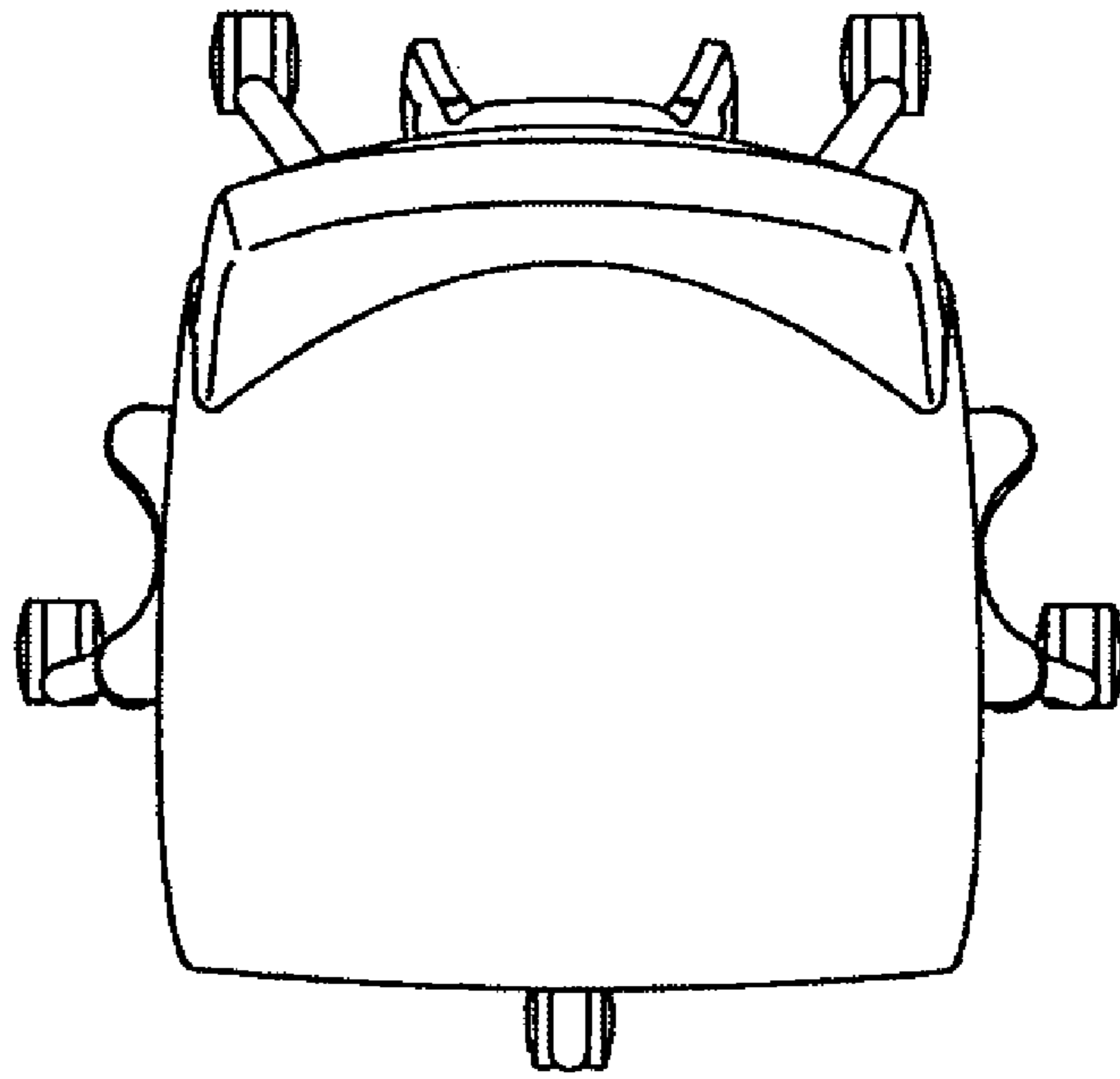


FIG. 4

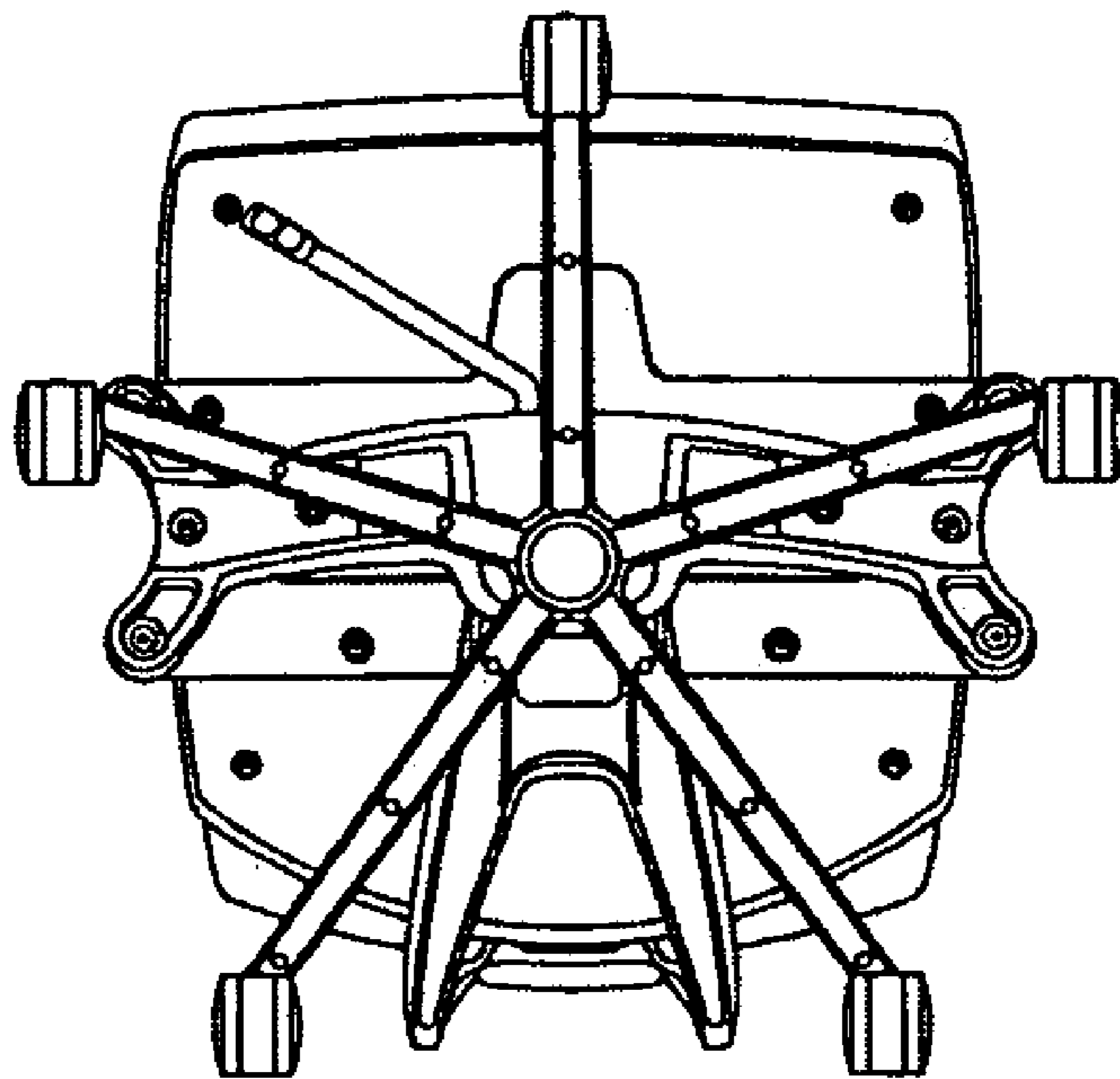


FIG. 5

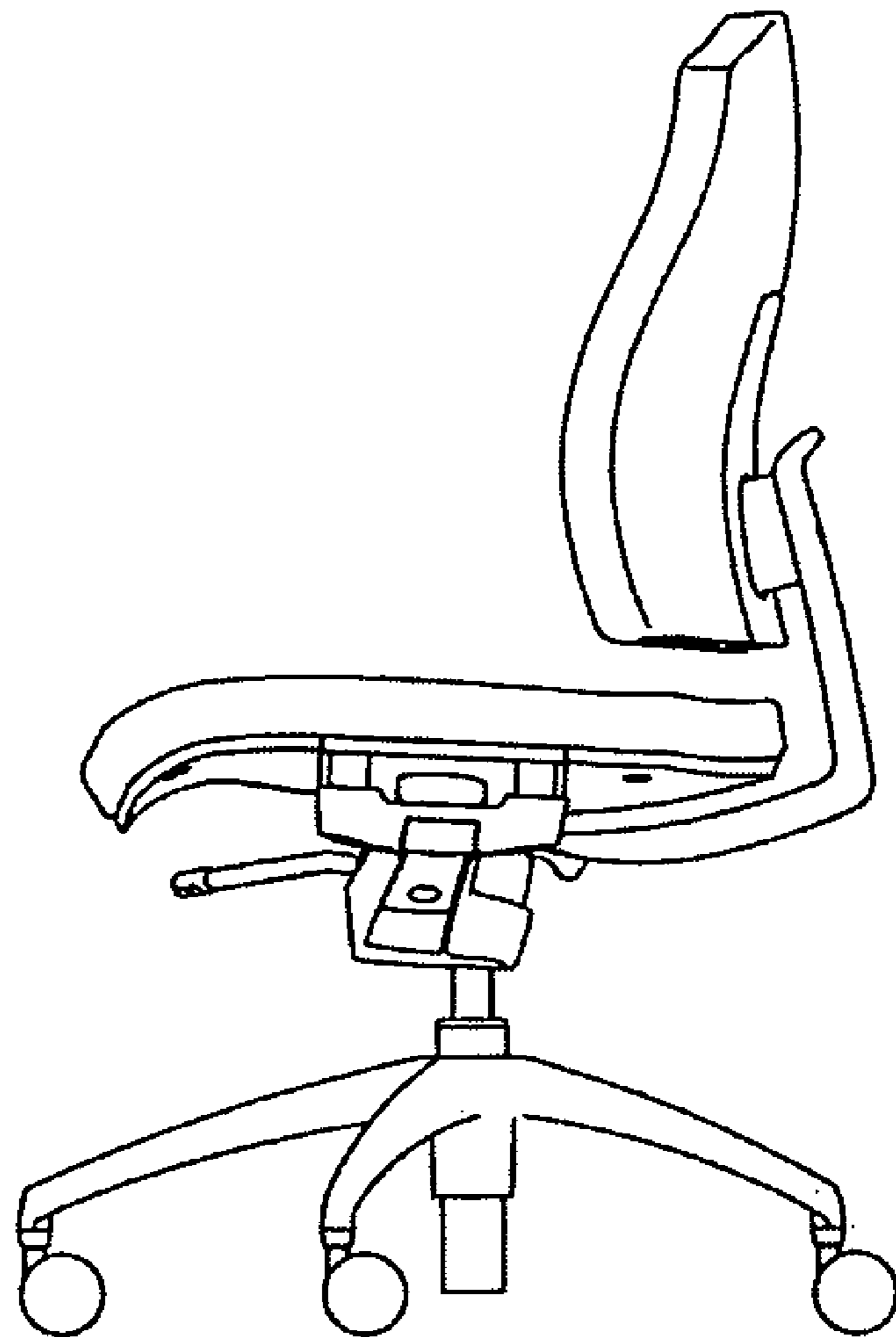


FIG. 6

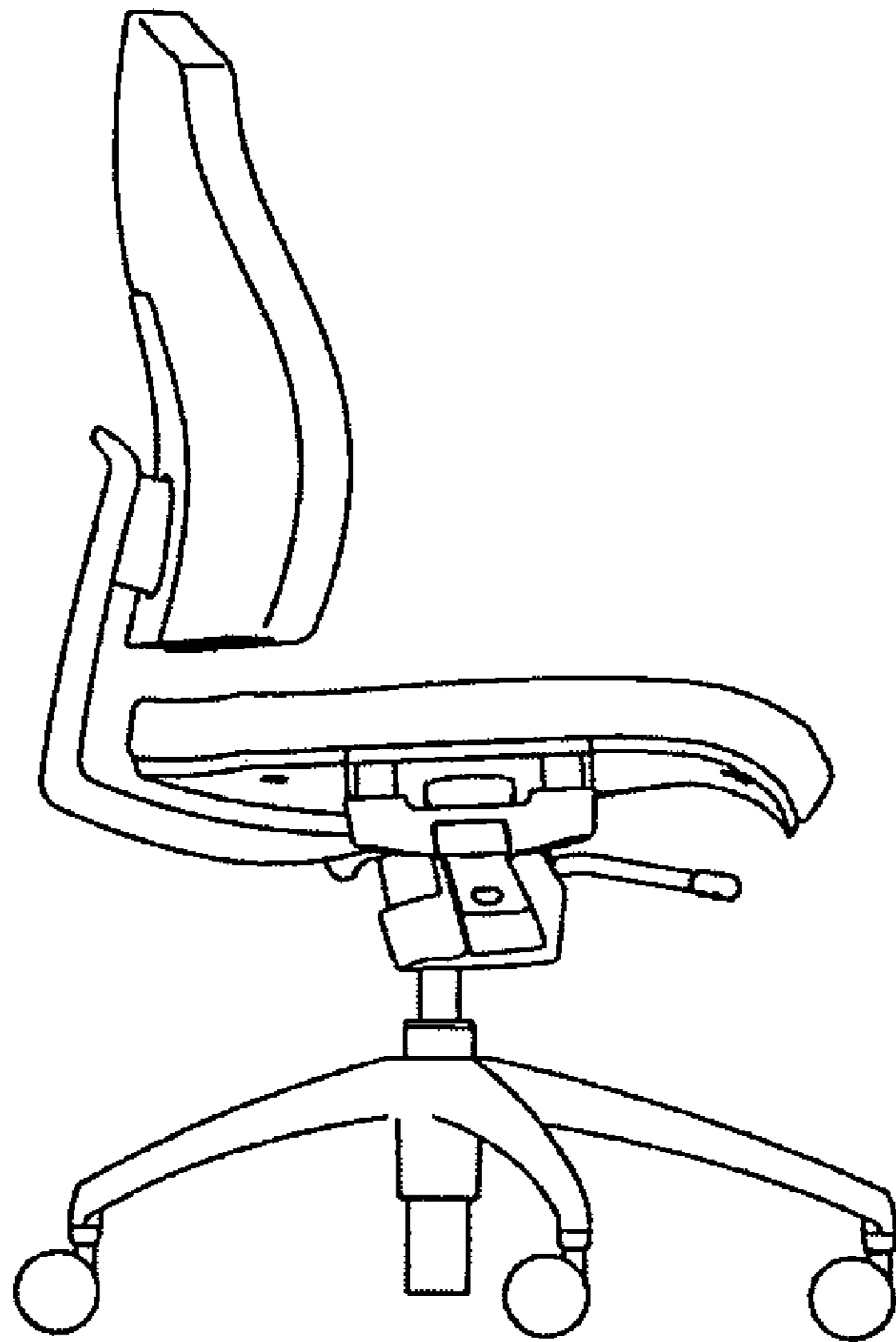


FIG. 7

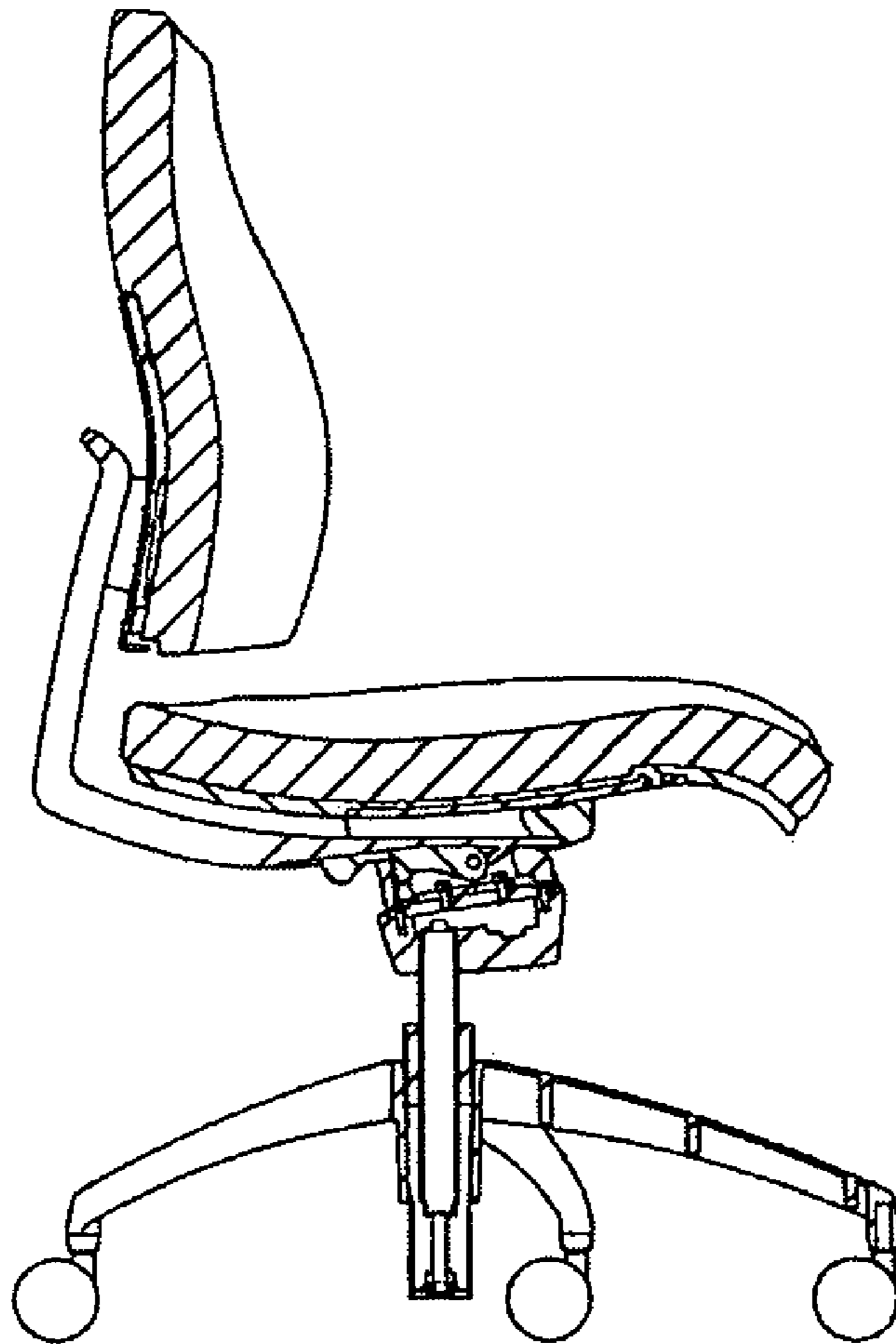


FIG. 8



FIG. 9

