

US00D549470S

(12) **United States Design Patent** (10) **Patent No.:** **US D549,470 S**  
**Hutton** (45) **Date of Patent:** **\*\* Aug. 28, 2007**

(54) **SEAT** D442,374 S 5/2001 Hutton ..... D6/334  
 D442,385 S 5/2001 Hutton ..... D6/379  
 (75) Inventor: **Jennifer Hutton**, New York, NY (US) D442,787 S 5/2001 Hutton ..... D6/334

(73) Assignee: **Donghia, Inc.**, New York, NY (US)

(Continued)

(\*\*) Term: **14 Years**

OTHER PUBLICATIONS

(21) Appl. No.: **29/261,275**

Chair #2030, The Taylor Chair Company ad, p. 35.\*  
 Natuzzi sofa #1308, International Home Furnishings Market, High Point, NC, Apr. 1997, 2 pgs.\*

(22) Filed: **Jun. 9, 2006**

(Continued)

(51) **LOC (8) Cl.** ..... **06-01**

(52) **U.S. Cl.** ..... **D6/334**

(58) **Field of Classification Search** ..... D6/334,  
 D6/370, 374, 379-381, 500-502; 297/445.1,  
 297/446.1; 5/12.1

*Primary Examiner*—Sandra Snapp  
 (74) *Attorney, Agent, or Firm*—Heslin, Rothenberg Farley & Mesiti P.C.

See application file for complete search history.

(57) **CLAIM**

The ornamental design for the seat, as shown and described.

(56) **References Cited**

U.S. PATENT DOCUMENTS

D329,543 S *	9/1992	Shields	.....	D6/334
D359,856 S	7/1995	Hutton	.....	D6/334
D360,310 S *	7/1995	Stamberg et al.	.....	D6/334
D360,997 S	8/1995	Hutton	.....	D6/381
D364,752 S	12/1995	Hutton	.....	D6/334
D366,571 S	1/1996	Hutton	.....	D6/361
D373,257 S	9/1996	Hutton	.....	D6/381
D379,269 S	5/1997	Hutton	.....	D6/334
D383,006 S	9/1997	Hutton	.....	D6/334
D395,958 S	7/1998	Hutton	.....	D6/334
D400,015 S	10/1998	Hutton	.....	D6/334
D403,167 S	12/1998	Hutton	.....	D6/334
D404,210 S	1/1999	Hutton	.....	D6/361
D404,212 S	1/1999	Hutton	.....	D6/381
D407,231 S	3/1999	Hutton	.....	D6/381
D422,422 S *	4/2000	Black	.....	D6/369
D423,244 S	4/2000	Hutton	.....	D6/381
D437,141 S	2/2001	Hutton	.....	D6/381
D437,142 S	2/2001	Hutton	.....	D6/381
D437,502 S	2/2001	Hutton	.....	D6/381
D439,071 S	3/2001	D'Urso et al.	.....	D6/381
D439,432 S	3/2001	Hutton	.....	D6/381
D441,978 S	5/2001	Hutton	.....	D6/381

**DESCRIPTION**

FIG. 1 is a perspective view of a seat comprising the new design;

FIG. 2 is a top view thereof;

FIG. 3 is a front view thereof;

FIG. 4 is a left side view thereof, where the right side view is a mirror image thereof;

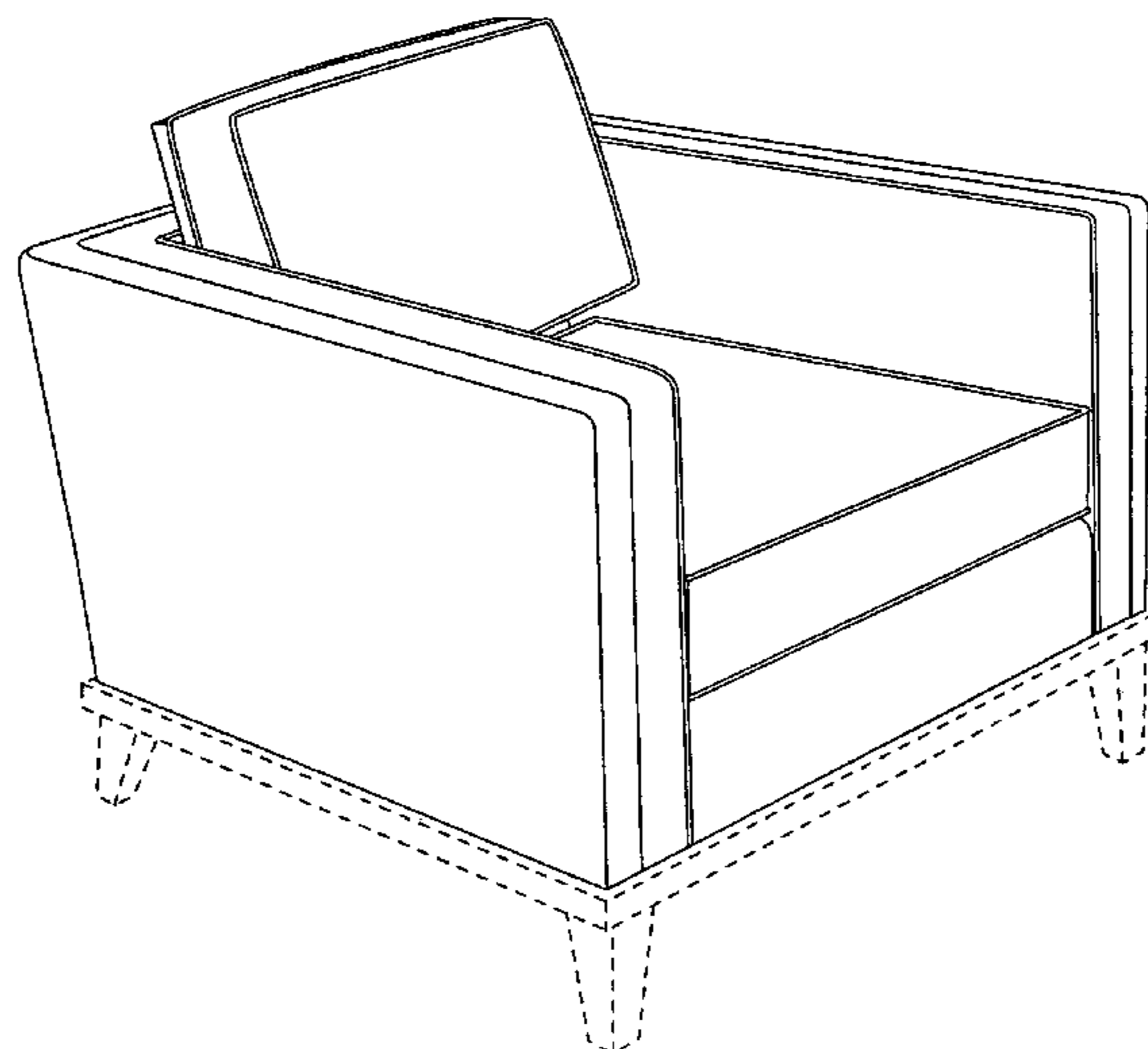
FIG. 5 is a rear view thereof;

FIG. 6 is a front view of an alternative embodiment of said new design, portions of which are cut away to illustrate indeterminate width, which is the sole difference between it and FIGS. 1-6; and,

FIG. 7 is a right side view of an alternative embodiment of said new design, portions of which are cut away to illustrate indeterminate depth, which is the sole difference between it and FIGS. 1-6.

The broken lines in the figures are for illustrative purposes only and form no part of the claimed invention.

**1 Claim, 7 Drawing Sheets**



# US D549,470 S

Page 2

---

## U.S. PATENT DOCUMENTS

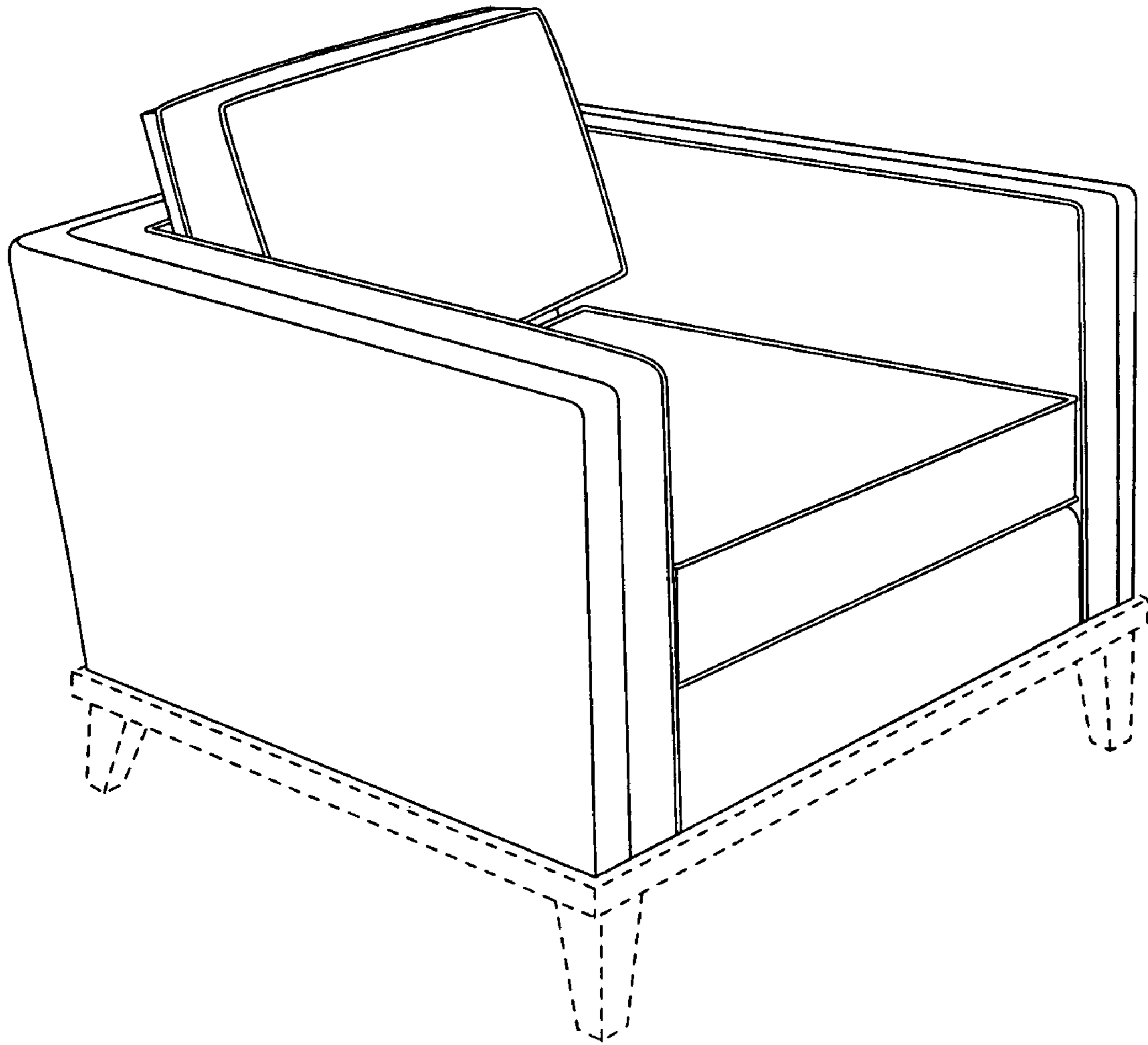
D446,029 S 8/2001 Hutton ..... D6/334  
D446,395 S 8/2001 Hutton ..... D6/334  
D484,327 S \* 12/2003 Ricci ..... D6/381  
D495,153 S \* 8/2004 Ricci ..... D6/334  
D495,514 S \* 9/2004 Ricci ..... D6/381  
D495,892 S \* 9/2004 Ricci ..... D6/381  
D504,781 S 5/2005 Suzuki et al. .... D6/334  
D505,560 S 5/2005 Hutton et al. .... D6/361

D533,365 S \* 12/2006 Martin ..... D6/334

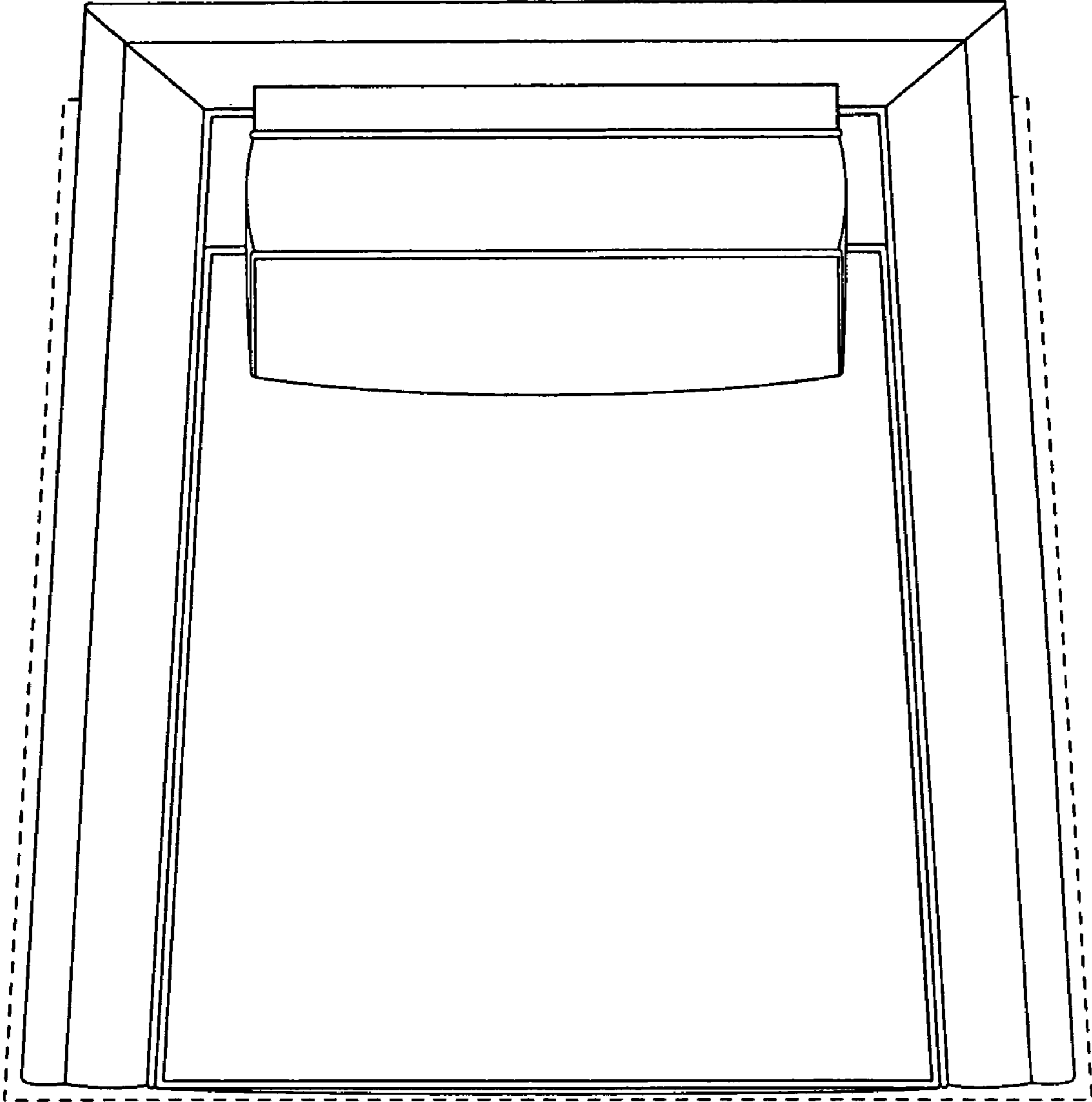
## OTHER PUBLICATIONS

Natuzzi sofa #1834, International Home Furnishings Market, High Point, NC, Sep. 1999, 1 pg.\*  
Pages from *Fifties Furniture* by Paul McCobb: *Directional Designs*; © 1956 by Directional Furniture Showrooms Incorporated.

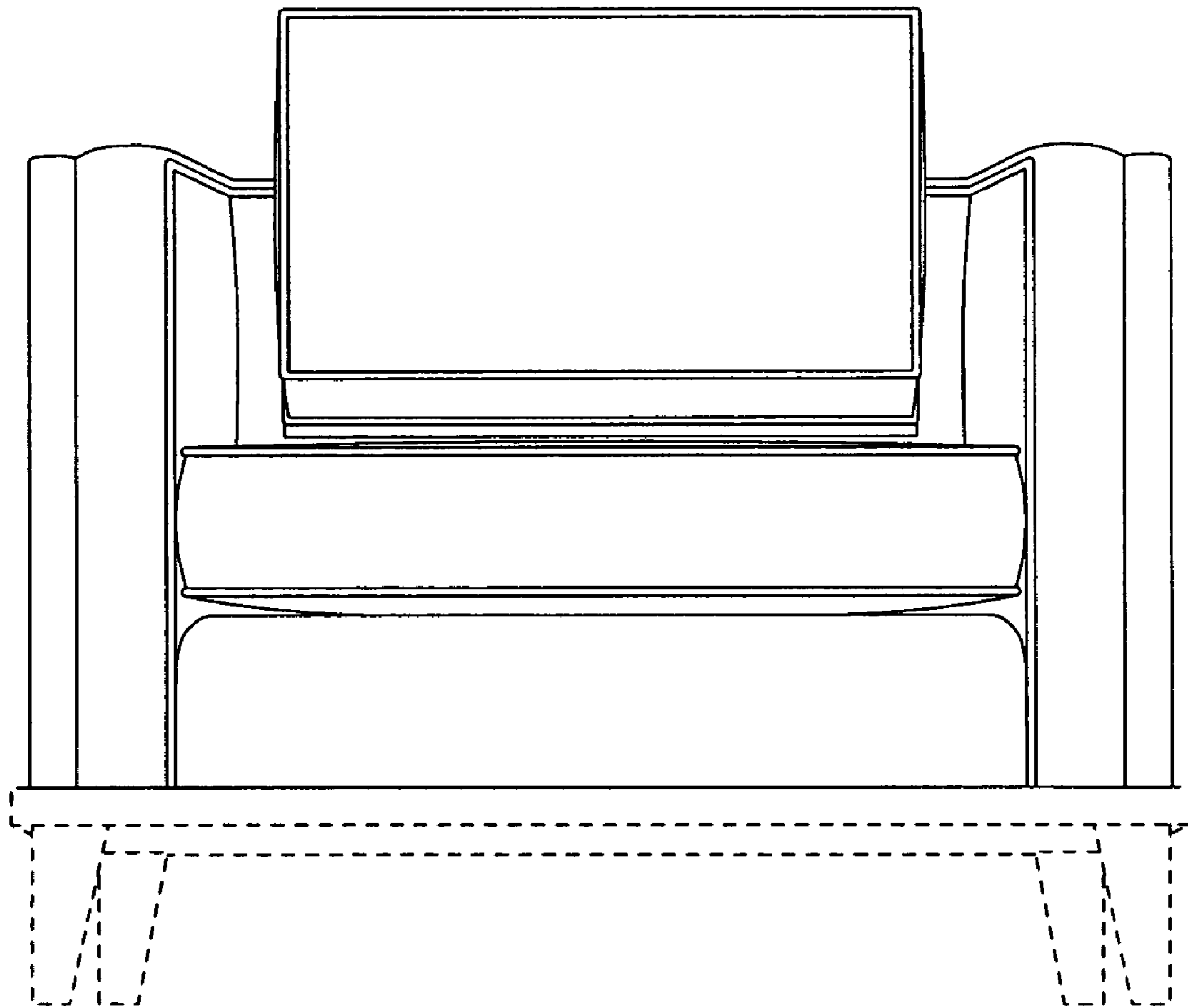
\* cited by examiner



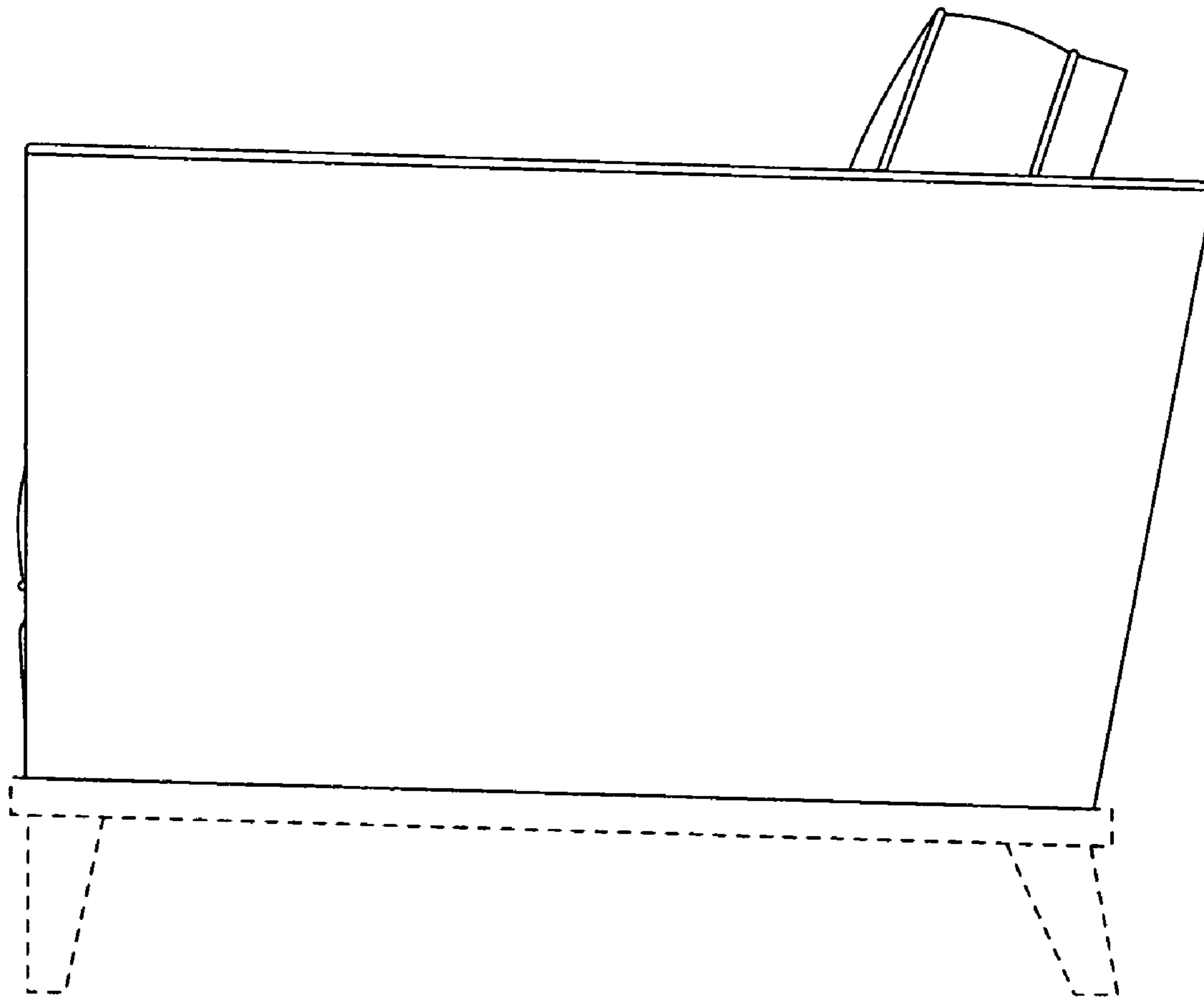
**FIG. 1**



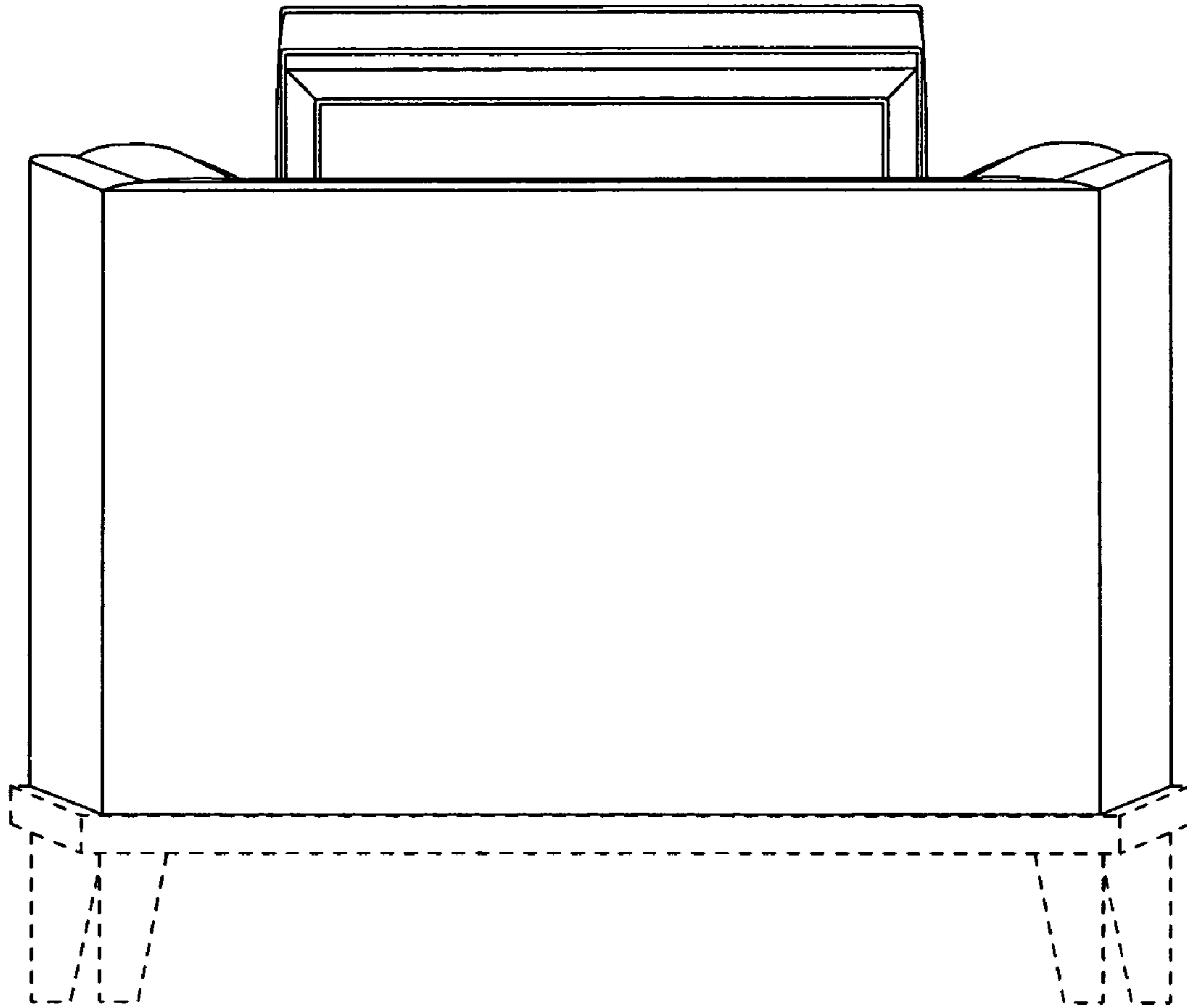
**FIG. 2**



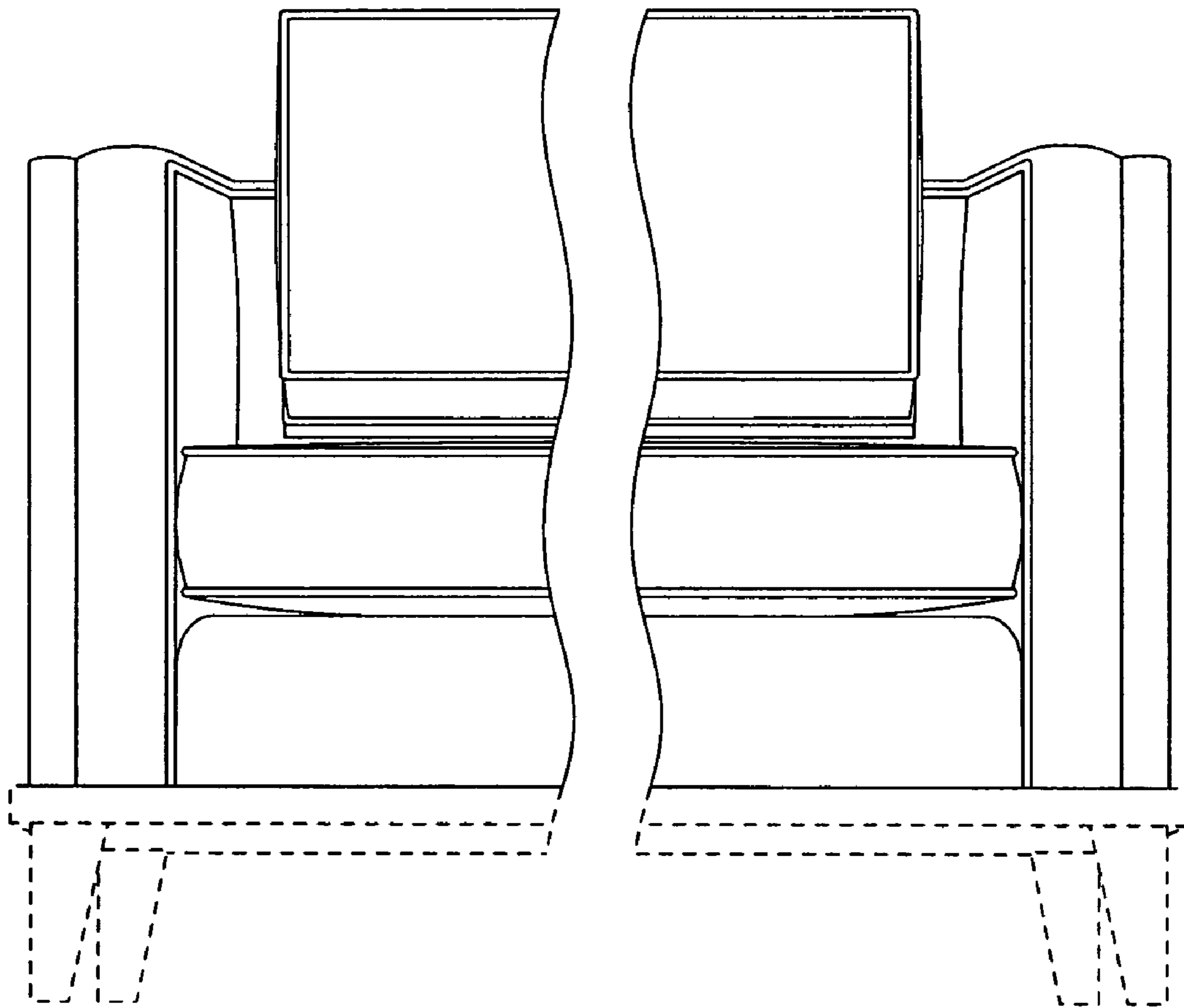
**FIG. 3**



**FIG. 4**

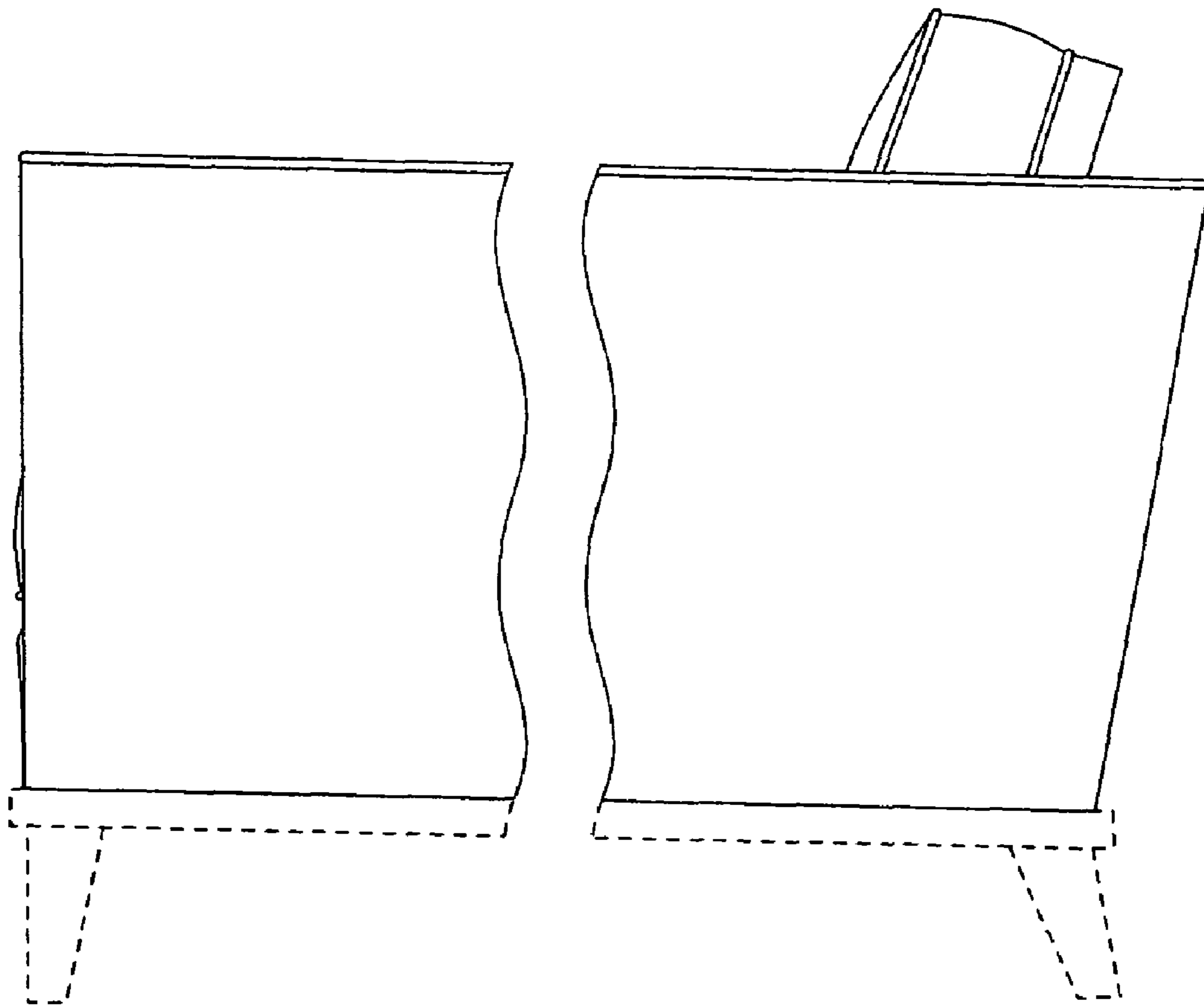


**FIG. 5**



**FIG. 6**





**FIG. 7**

UNITED STATES PATENT AND TRADEMARK OFFICE  
**CERTIFICATE OF CORRECTION**

PATENT NO. : Des. 549,470 S  
APPLICATION NO. : 29/261275  
DATED : August 28, 2007  
INVENTOR(S) : Hutton

Page 1 of 1

It is certified that error appears in the above-identified patent and that said Letters Patent is hereby corrected as shown below:

Col. 2, Fig. 6; delete "FIGS. 1-6" and insert -- FIGS. 1-5 --

Col. 2, Fig. 7; delete "FIGS. 1-6" and insert -- FIGS. 1-5 --

Signed and Sealed this

Thirteenth Day of November, 2007

A handwritten signature in black ink on a light gray dotted background. The signature reads "Jon W. Dudas" in a cursive style.

JON W. DUDAS

*Director of the United States Patent and Trademark Office*