

US00D549467S

(12) **United States Design Patent**
Holt

(10) **Patent No.:** **US D549,467 S**

(45) **Date of Patent:** **** Aug. 28, 2007**

(54) **BOOT HOLDING ASSEMBLY**

(76) Inventor: **Thomas Holt**, 14040 Old Holt Ct.,
Lindstrom, MN (US) 55045

(**) Term: **14 Years**

(21) Appl. No.: **29/231,511**

(22) Filed: **Jun. 7, 2005**

(51) **LOC (8) Cl.** **06-08**

(52) **U.S. Cl.** **D6/320; D32/58**

(58) **Field of Classification Search** D32/58-59;
D6/320, 552-553, 567, 315; 211/34-37,
211/70.6, 70.8, 60.1; 34/104-106

See application file for complete search history.

(56) **References Cited**

U.S. PATENT DOCUMENTS

- 2,412,847 A * 12/1946 Van Tilburg 211/35
- 2,508,945 A * 5/1950 Heuer 211/75
- D241,392 S * 9/1976 Taylor D6/552
- 4,583,647 A * 4/1986 Schinzing 211/60.1
- D289,110 S * 4/1987 Wagner et al. D6/320
- 5,024,408 A * 6/1991 Magee 248/206.5
- D320,720 S * 10/1991 Goodman et al. D6/569
- D347,538 S * 6/1994 Fleischer D6/567

- D392,142 S * 3/1998 Weisburn et al. D6/567
- D403,869 S * 1/1999 Harmon et al. D6/320
- D411,931 S * 7/1999 Hartmann et al. D6/553

* cited by examiner

Primary Examiner—Pamela J. Burgess

(57) **CLAIM**

The ornamental design for a boot holding assembly, as shown and described.

DESCRIPTION

FIG. 1 is a front elevated view of a boot holding assembly showing my new design;

FIG. 2 is a rear elevated view of the boot holding assembly;

FIG. 3 is a side elevated view of the boot holding assembly;

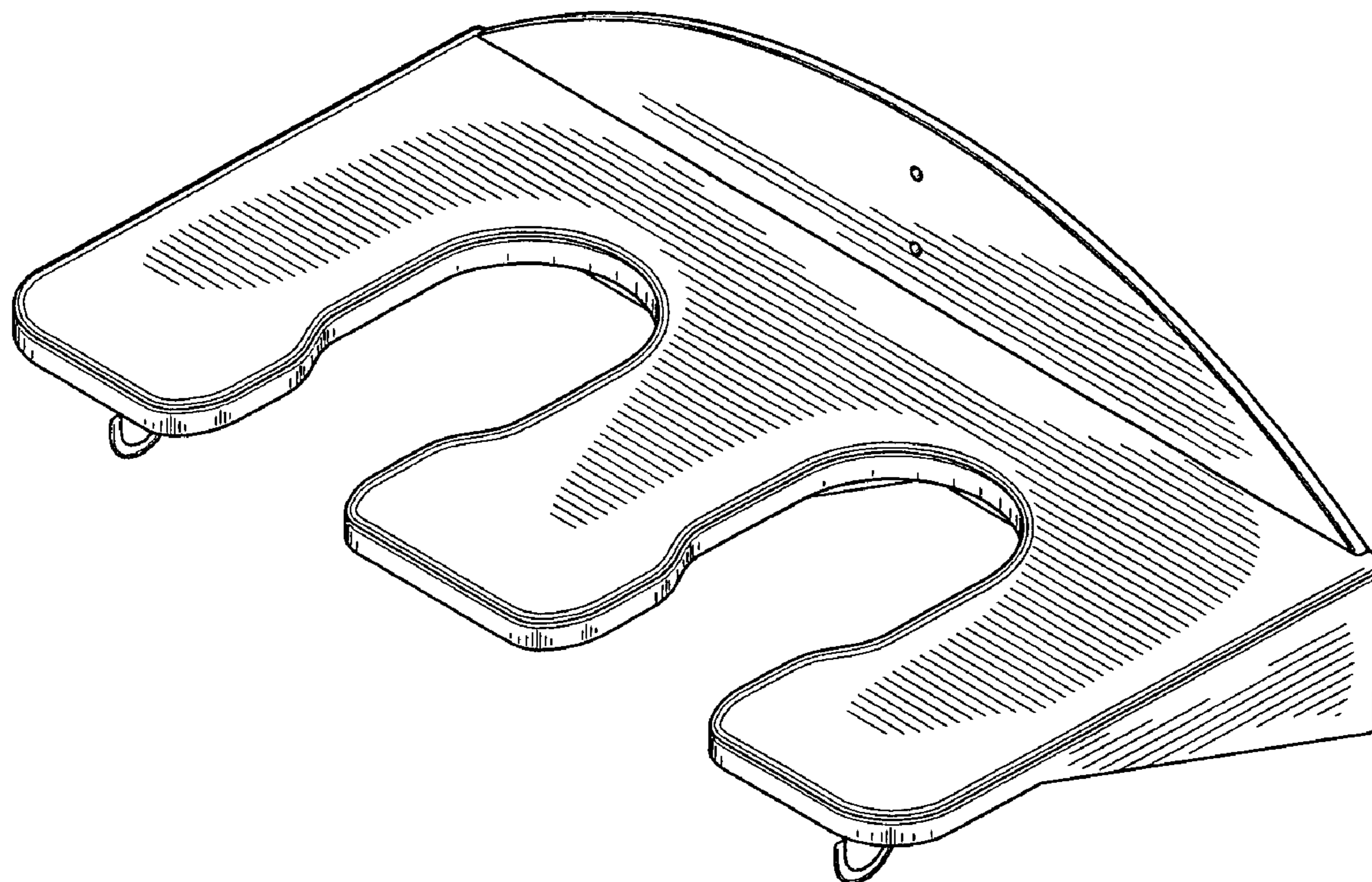
FIG. 4 is a top plan view of the boot holding assembly;

FIG. 5 is a bottom plan view of the boot holding assembly;

FIG. 6 is a top perspective view of the boot holding assembly; and,

FIG. 7 is a bottom perspective view of the boot holding assembly.

1 Claim, 4 Drawing Sheets



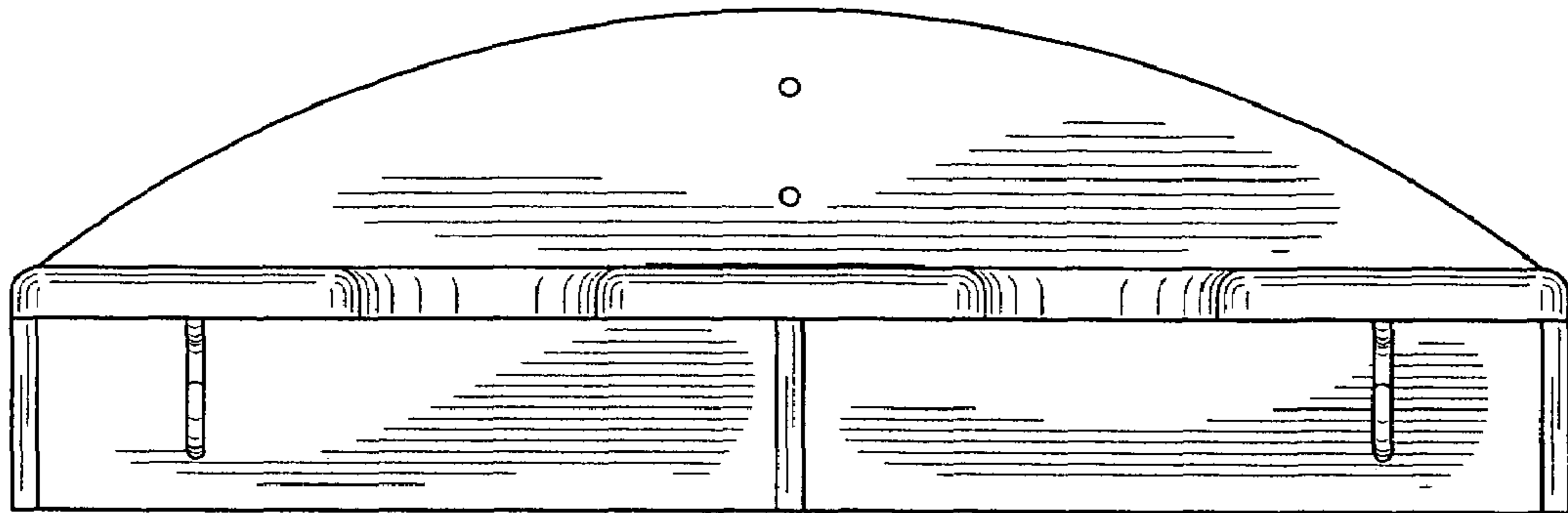


FIG. 1

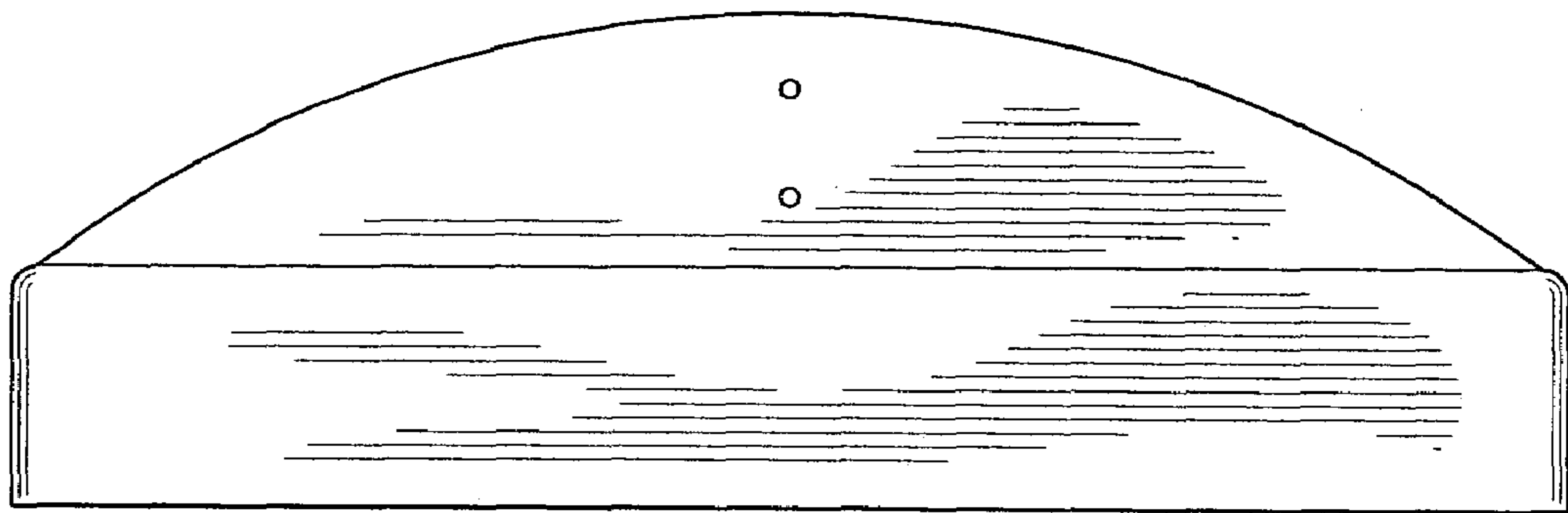


FIG. 2

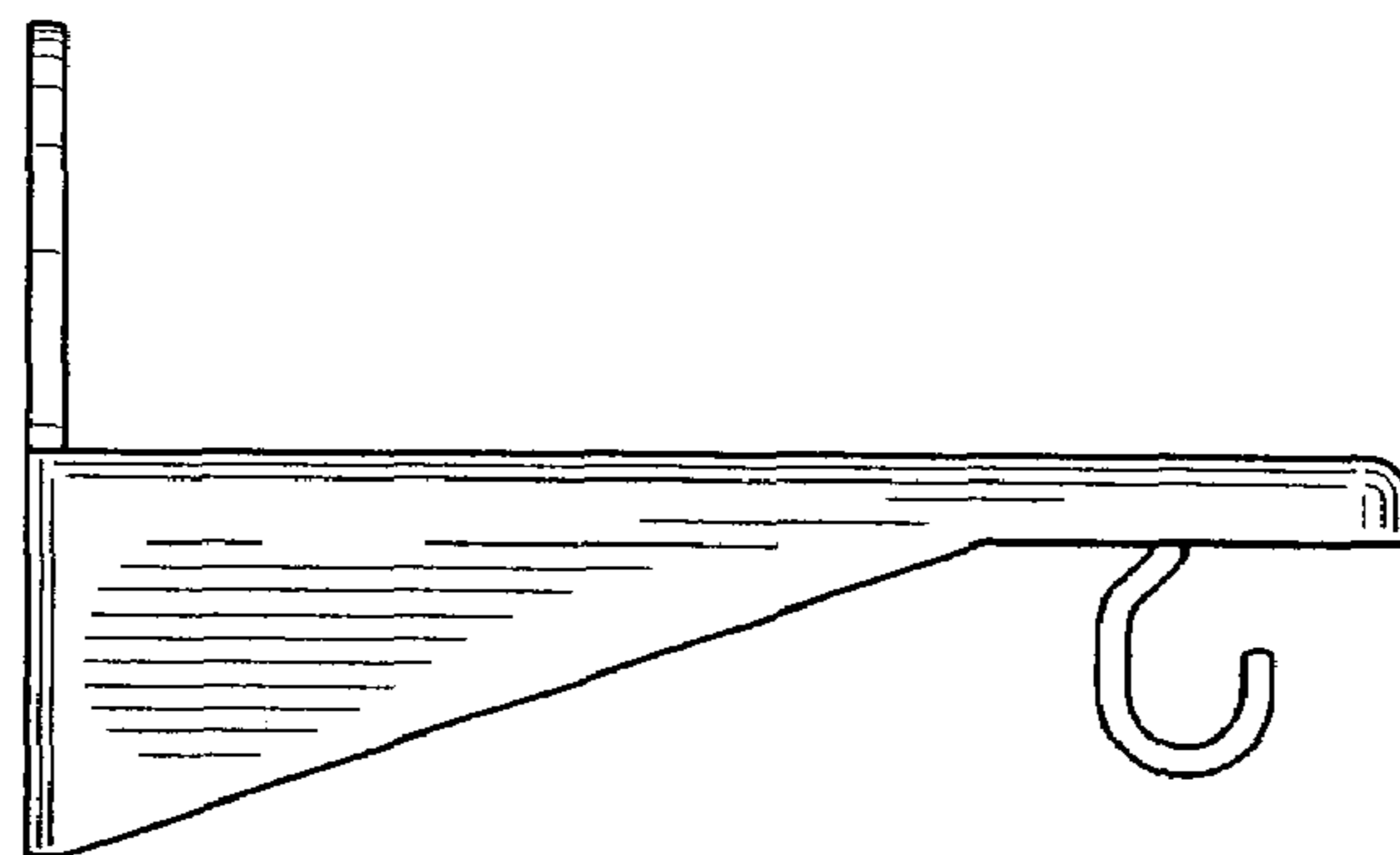


FIG. 3

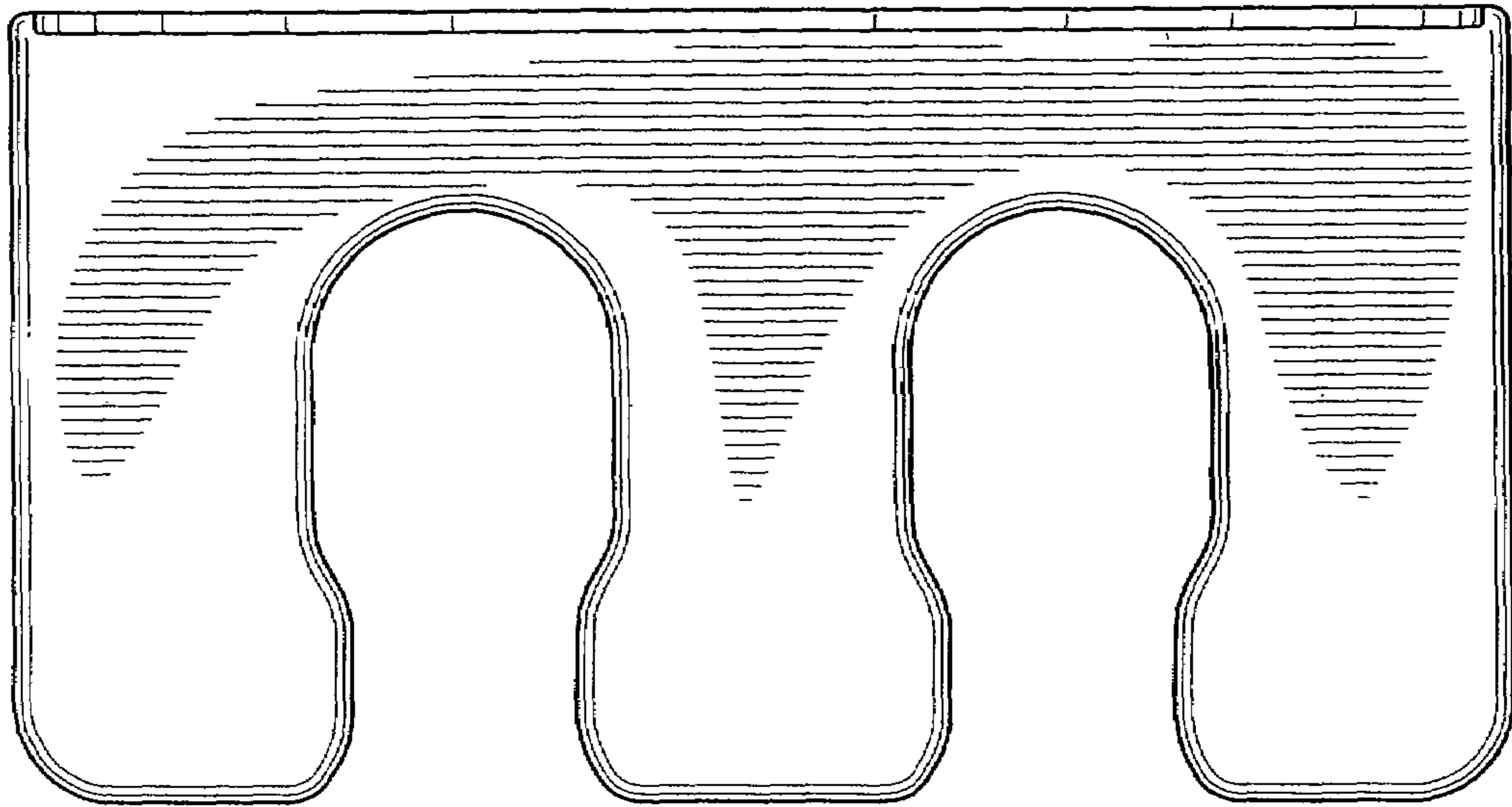


FIG. 4

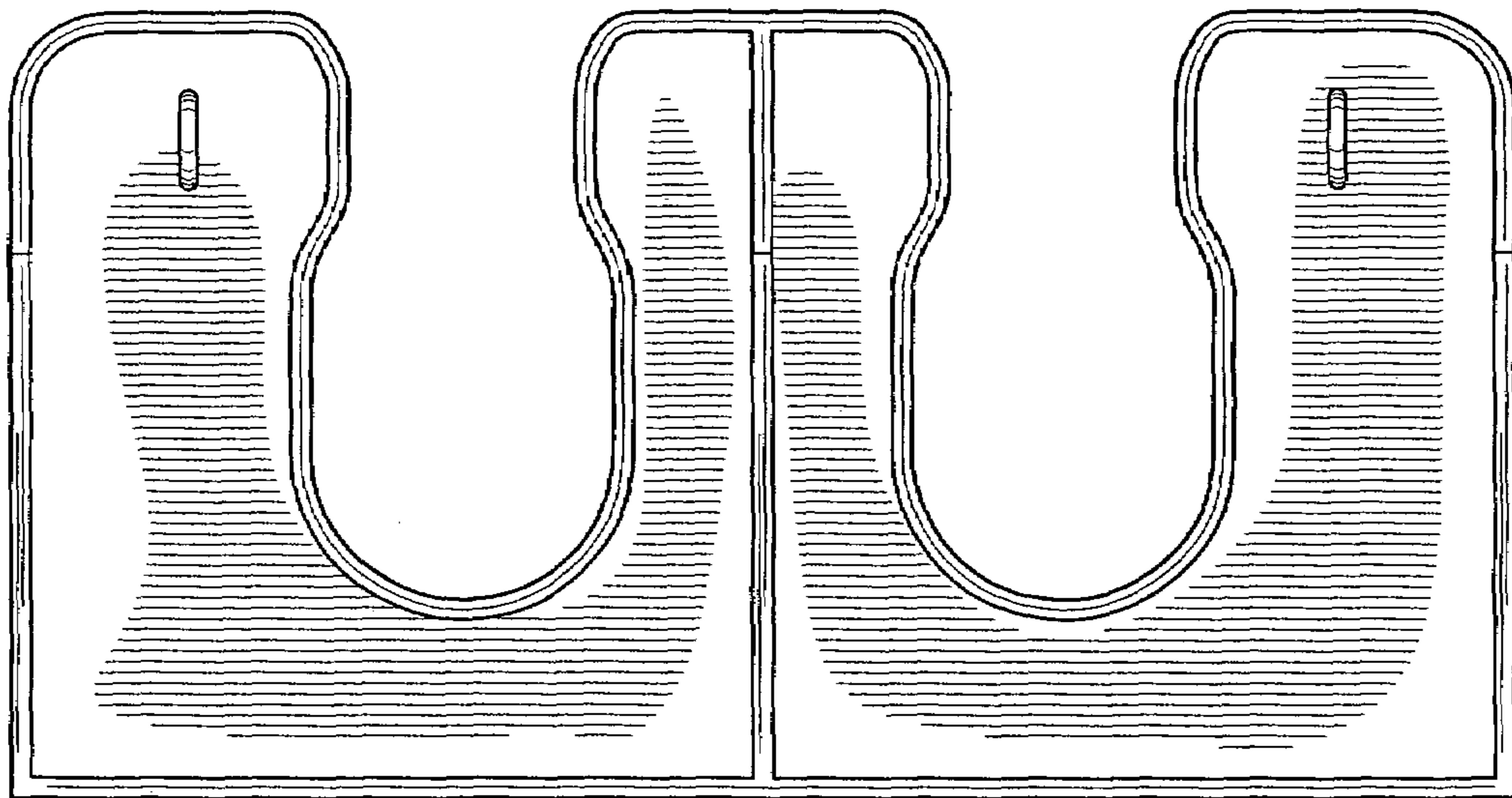


FIG. 5

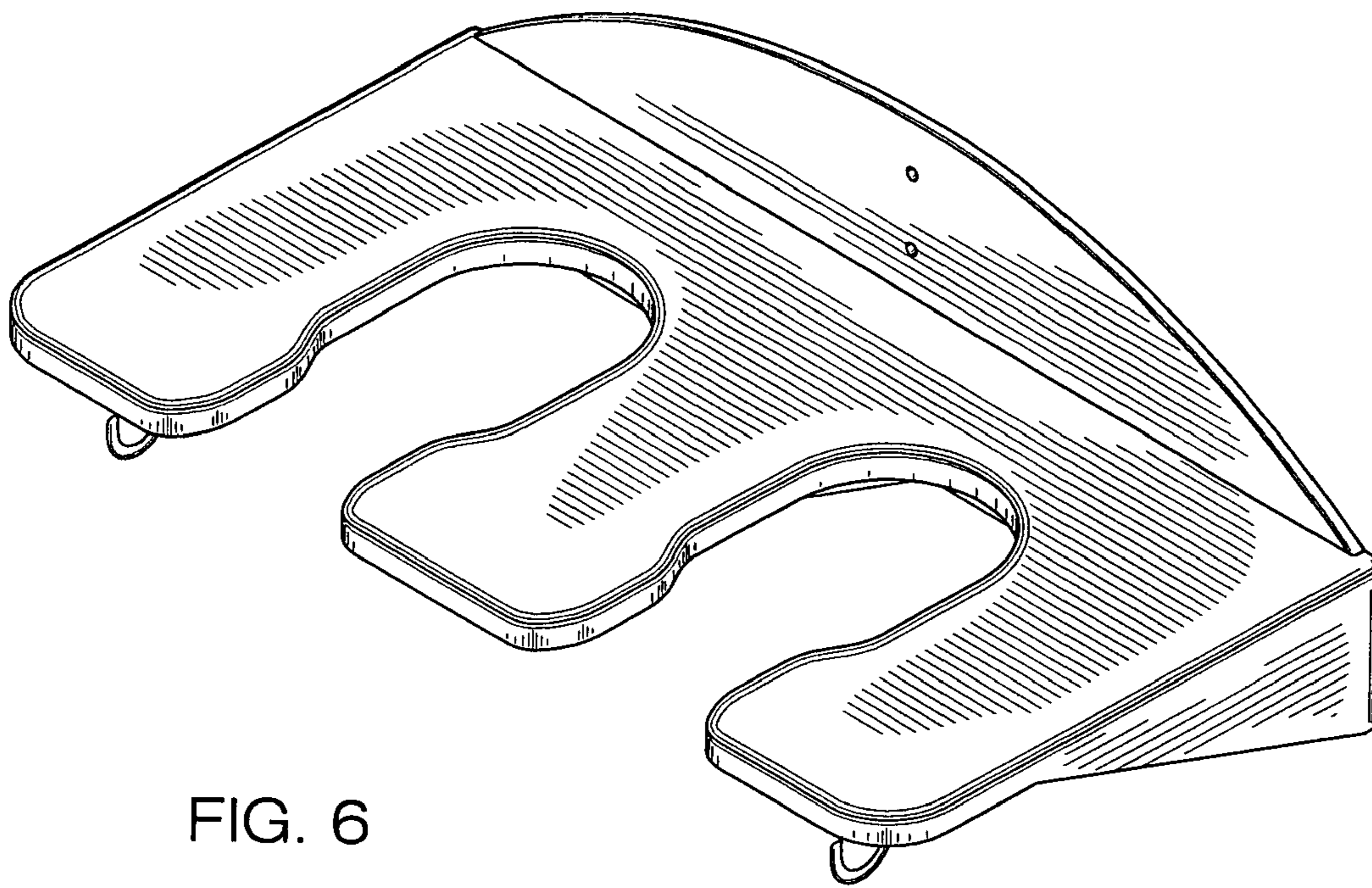


FIG. 6

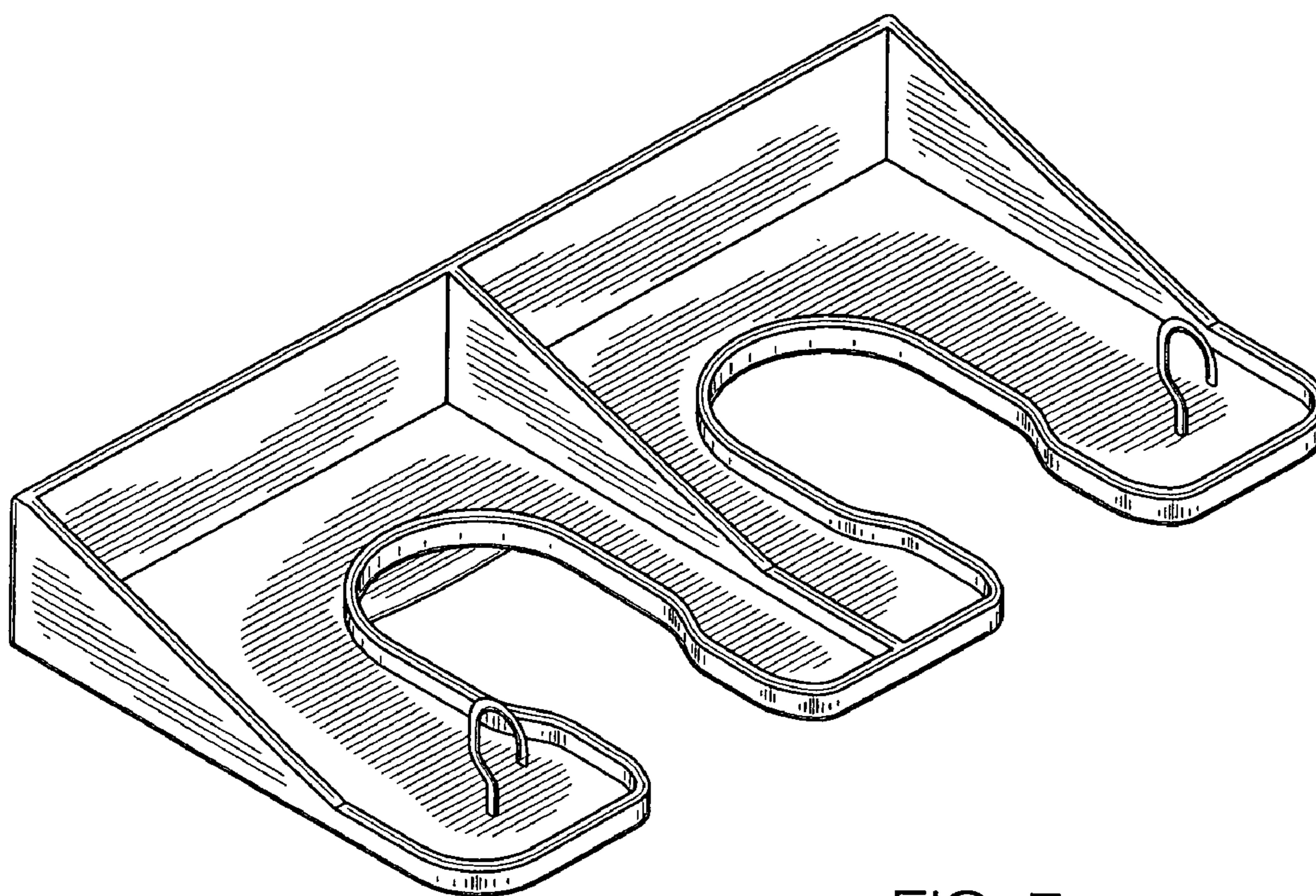


FIG. 7