

US00D549456S

(12) **United States Design Patent**
Dretzka

(10) **Patent No.:** **US D549,456 S**

(45) **Date of Patent:** **** Aug. 28, 2007**

(54) **DRAWER ORGANIZER**

D468,663 S * 1/2003 Fan D11/156
D510,804 S * 10/2005 Horman D3/304

(75) Inventor: **Philip C. Dretzka**, Cleveland Heights,
OH (US)

OTHER PUBLICATIONS

2005 InterDesign, Inc. product brochure, p. 42, 43, 51 w/front &
back cover.

(73) Assignee: **InterDesign, Inc.**, Solon, OH (US)

* cited by examiner

(**) Term: **14 Years**

Primary Examiner—Louis S. Zarfes

(21) Appl. No.: **29/266,279**

Assistant Examiner—Eric L. Goodman

(22) Filed: **Sep. 18, 2006**

(74) *Attorney, Agent, or Firm*—D. Peter Hochberg; Sean
Mellino

(51) **LOC (8) Cl.** **03-01**

(57) **CLAIM**

(52) **U.S. Cl.** **D3/304; D3/314**

(58) **Field of Classification Search** D3/20,
D3/200–201, 203.1, 203.3, 205–206, 304–315;
D6/475–476, 525; D19/75, 77, 86, 90, 92,
D19/100; 206/203, 214–215, 307.1, 501,
206/503–504, 512, 564, 822; 229/100, 406,
229/913–914

The ornamental design for a drawer organizer, as shown and
described.

See application file for complete search history.

DESCRIPTION

(56) **References Cited**

FIG. 1 is a perspective view of the drawer organizer accord-
ing to the invention;

U.S. PATENT DOCUMENTS

FIG. 2 is a top view of the drawer organizer as shown in FIG.
1;

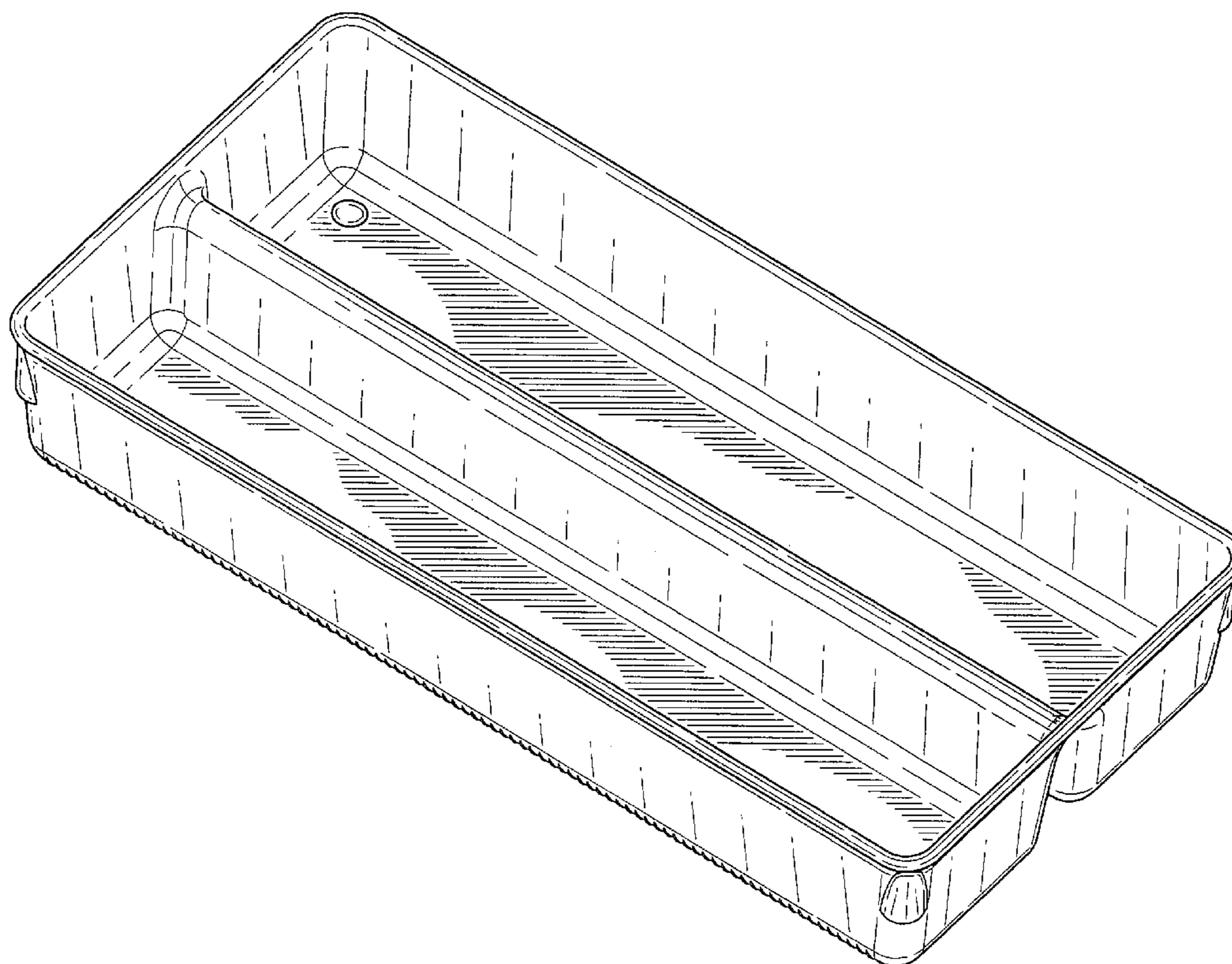
- D93,084 S * 8/1934 Baum D3/203.1
- D120,991 S * 6/1940 Koch D11/155
- D194,429 S * 1/1963 Kuhn D11/156
- D274,967 S * 8/1984 Taylor D6/510
- D318,420 S * 7/1991 Amelse D9/760
- D368,584 S * 4/1996 Stommel, Jr. D3/313
- D439,085 S * 3/2001 Quinn D6/510

FIG. 3 is a bottom view of the drawer organizer as shown in
FIG. 1;

FIG. 4 is a front view of the drawer organizer as shown in
FIG. 1; and,

FIG. 5 is a side view of the drawer organizer as shown in
FIG. 1.

1 Claim, 3 Drawing Sheets



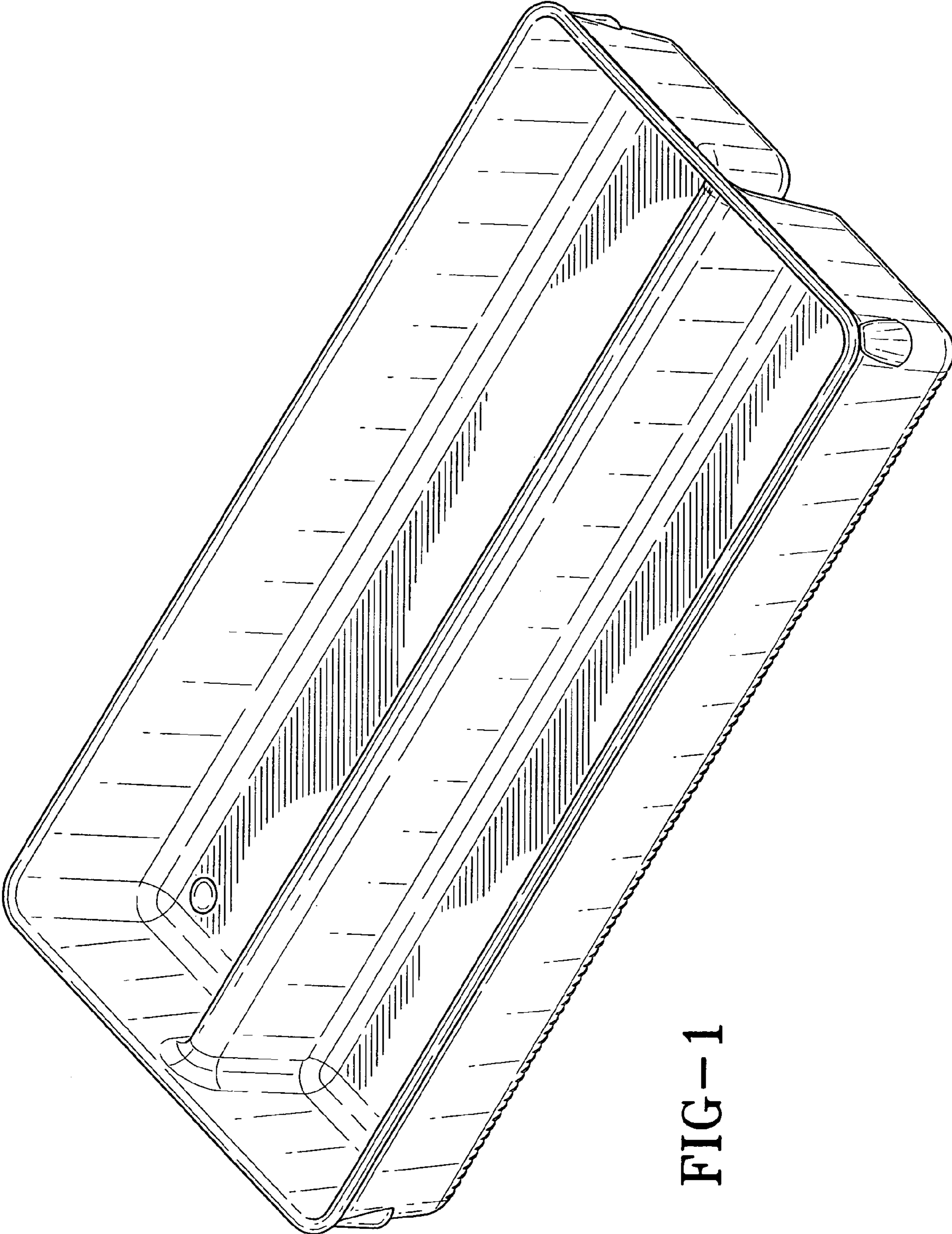


FIG-1

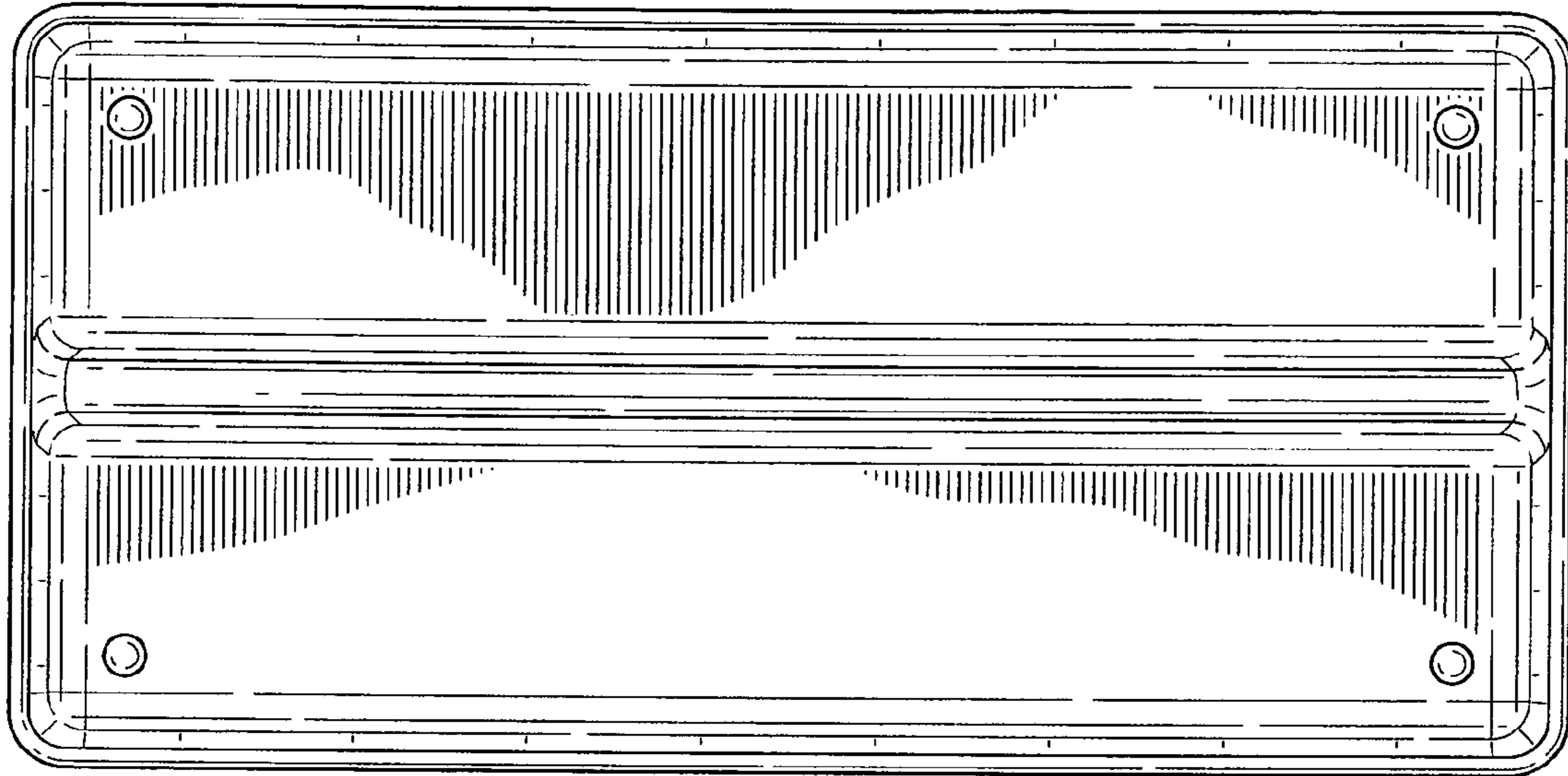


FIG-2

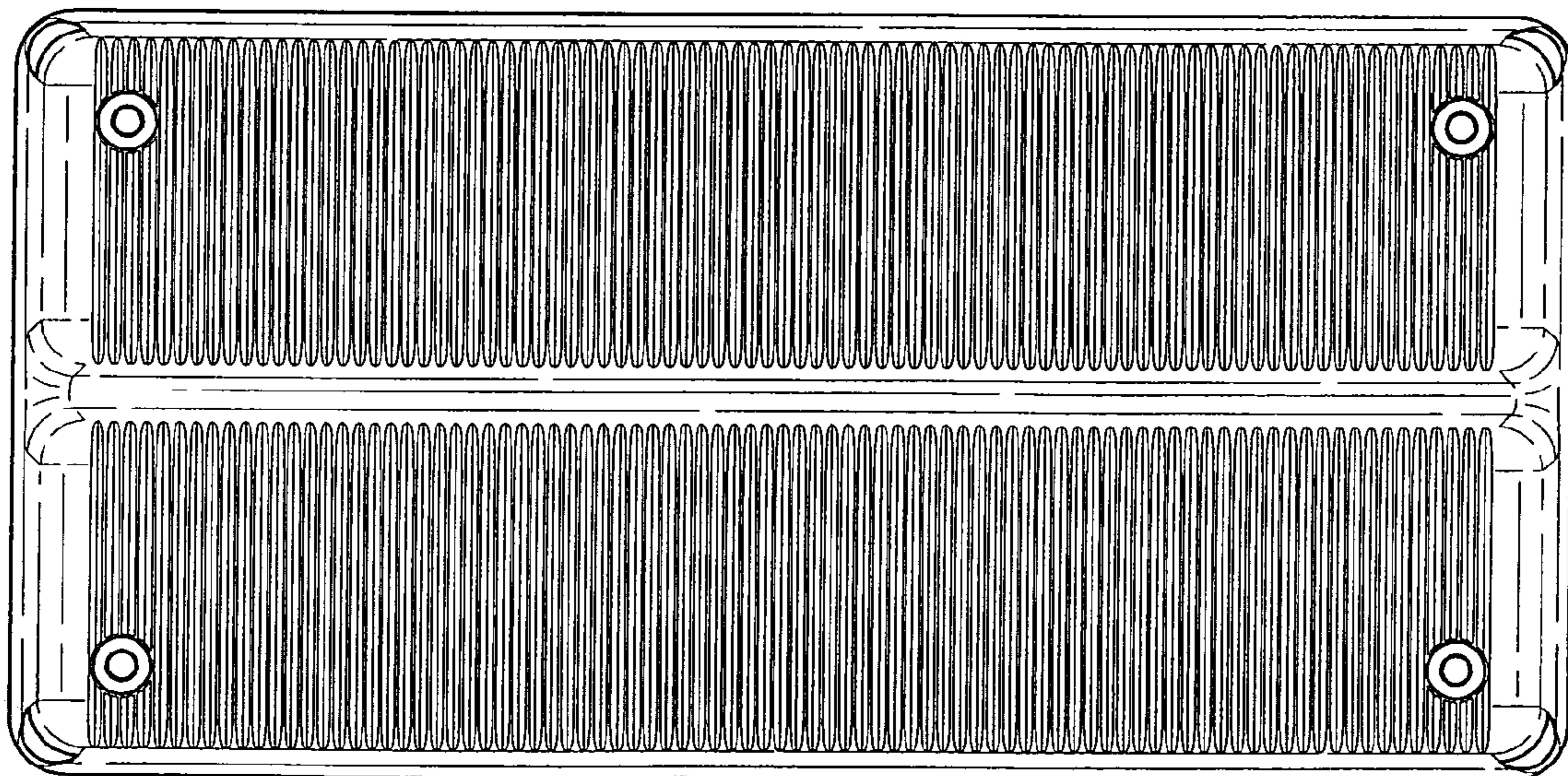


FIG-3

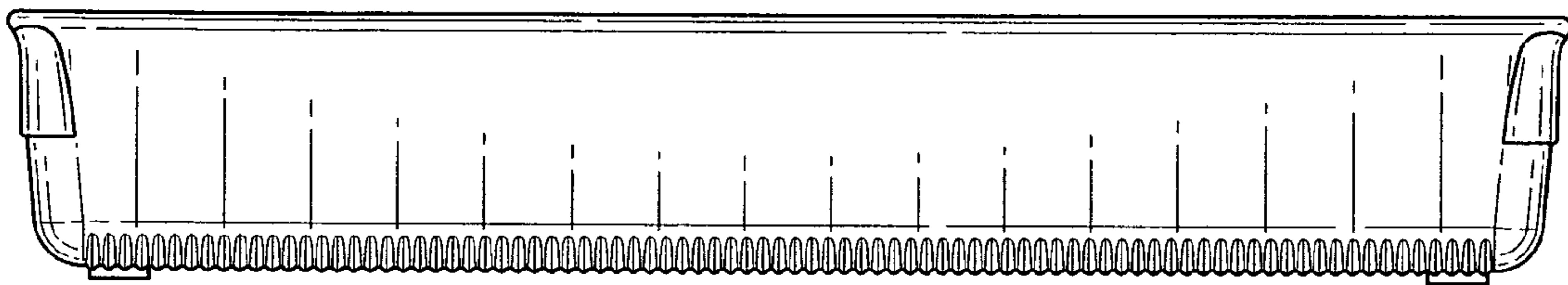


FIG-4

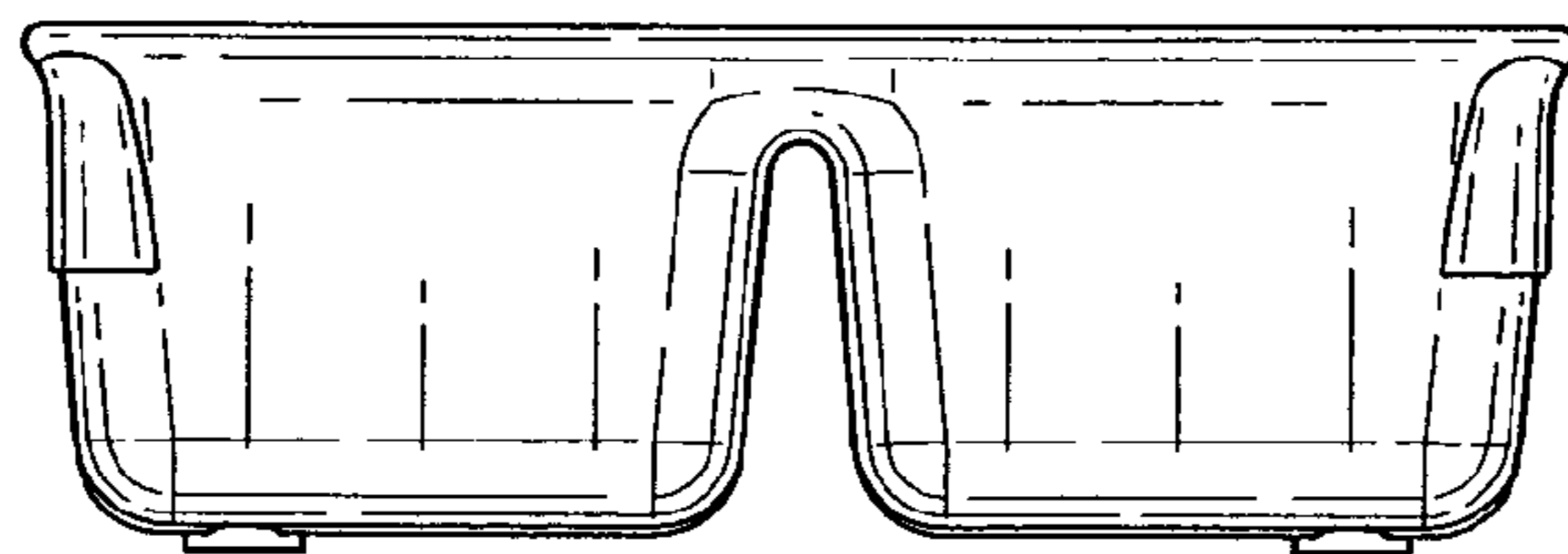


FIG-5