



US00D549454S

(12) **United States Design Patent** (10) **Patent No.:** **US D549,454 S**
Åhman (45) **Date of Patent:** **** Aug. 28, 2007**

(54) **STORAGE BOX**

(75) Inventor: **Daniel Åhman**, Malmö (SE)

(73) Assignee: **Hammarplast AB**, Tingsryd (SE)

(**) Term: **14 Years**

(21) Appl. No.: **29/259,685**

(22) Filed: **May 15, 2006**

(30) **Foreign Application Priority Data**

Nov. 15, 2005 (EM) 000431358

(51) **LOC (8) Cl.** **03-01**

(52) **U.S. Cl.** **D3/304**

(58) **Field of Classification Search** D3/304-315;
D7/553.1, 554, 354, 550, 601-603, 605, 708;
D9/424-426, 429; 206/315.1, 503, 505;
220/501, 507, 514, 553, 555, 672, 675-676

See application file for complete search history.

(56) **References Cited**

U.S. PATENT DOCUMENTS

3,430,806	A *	3/1969	Munk et al.	206/507
D320,298	S *	9/1991	Apps et al.	D3/312
D326,345	S *	5/1992	Mandell et al.	D3/312
5,145,082	A *	9/1992	Craft et al.	220/755
5,163,587	A *	11/1992	Apps et al.	222/105
D348,128	S *	6/1994	Craft et al.	D32/37
D387,558	S *	12/1997	Mann et al.	D3/312
D395,756	S *	7/1998	Tanji	D3/312
D398,151	S *	9/1998	Ahern, Jr.	D3/304
D401,065	S *	11/1998	Peltola	D3/304
D409,806	S *	5/1999	France	D32/37
D415,393	S *	10/1999	Kei	D7/605
D431,362	S *	10/2000	Conti	D3/314
D477,145	S *	7/2003	Sofy et al.	D3/307
2004/0238547	A1 *	12/2004	Tyra et al.	220/675

OTHER PUBLICATIONS

Rubbermaid Roughneck Storage Box—14 gal, medium, item No. 2212.

Curver home organisation storage bin, item No. 03438.

Curver home organisation storage bin, item No. 02247.

Curver home organisation storage bin, item No. 03434.

Marian plast storage bin, box with wheels (small), product 260-0415.

Tontarelli World Collection, Brico & Storage Line, Utile Small Box—with organiser lid, art No. 8031490.

Tontarelli World Collection, Brico & Storage Line, Puzzle Box 20x30—with flat lid, Art No. 8031696.

Tontarelli World Collection, Brico & Storage Line, Storage box with flat lid 22 Lt., Art No. 9032102.

* cited by examiner

Primary Examiner—Louis S. Zarfes

Assistant Examiner—Eric L Goodman

(74) *Attorney, Agent, or Firm*—Birch, Stewart, Kolasch & Birch, LLP

(57) **CLAIM**

The ornamental design for a storage box, as shown and described.

DESCRIPTION

FIG. 1 is a front, left perspective view of a storage box showing my new design;

FIG. 2 is a bottom, left perspective view thereof;

FIG. 3 is a rear elevational view thereof, the front elevational view thereof being a mirror image thereof;

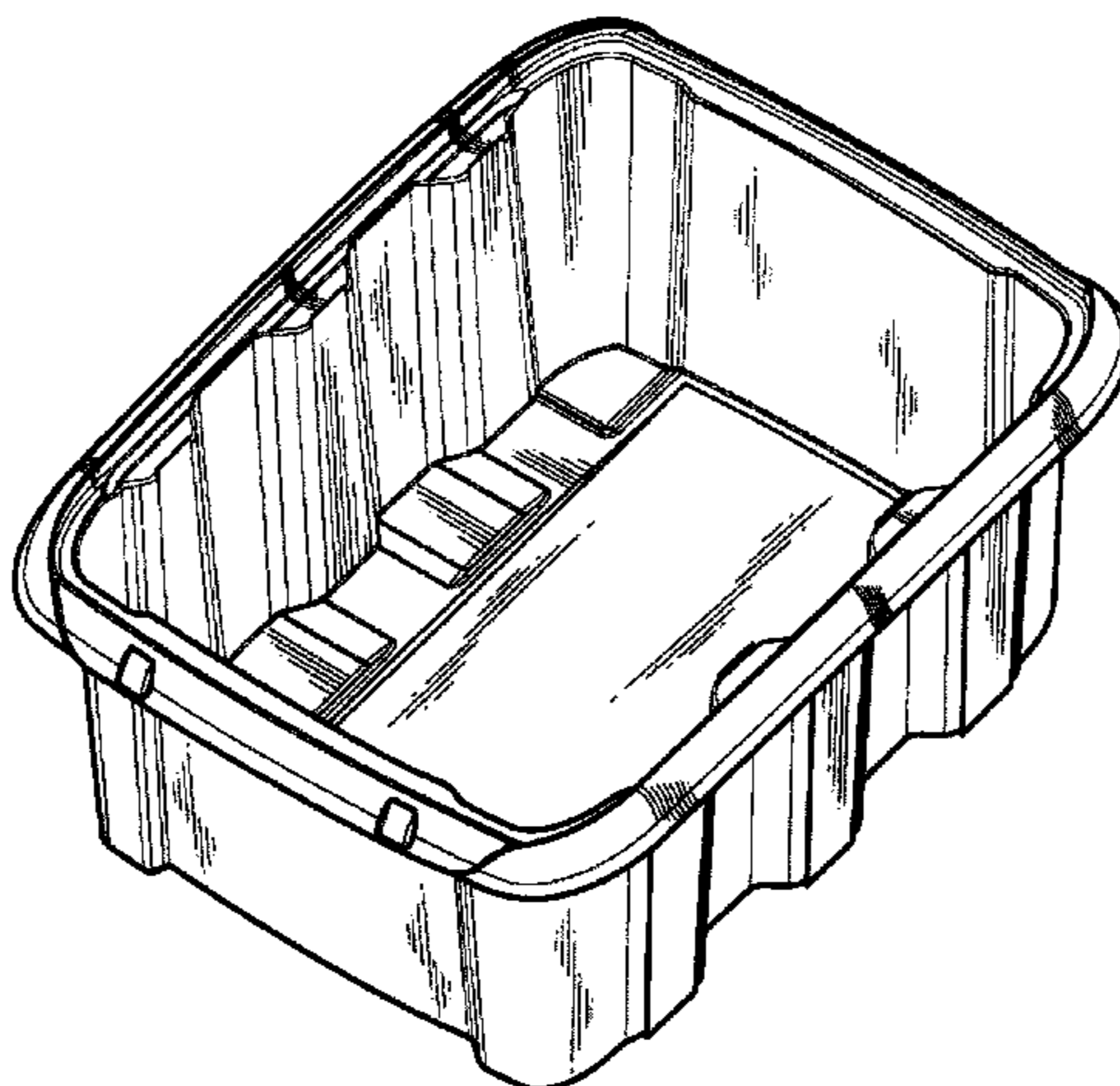
FIG. 4 is a bottom plan view thereof;

FIG. 5 is a right side view thereof;

FIG. 6 is a left side view thereof; and,

FIG. 7 is a top plan view thereof.

1 Claim, 6 Drawing Sheets



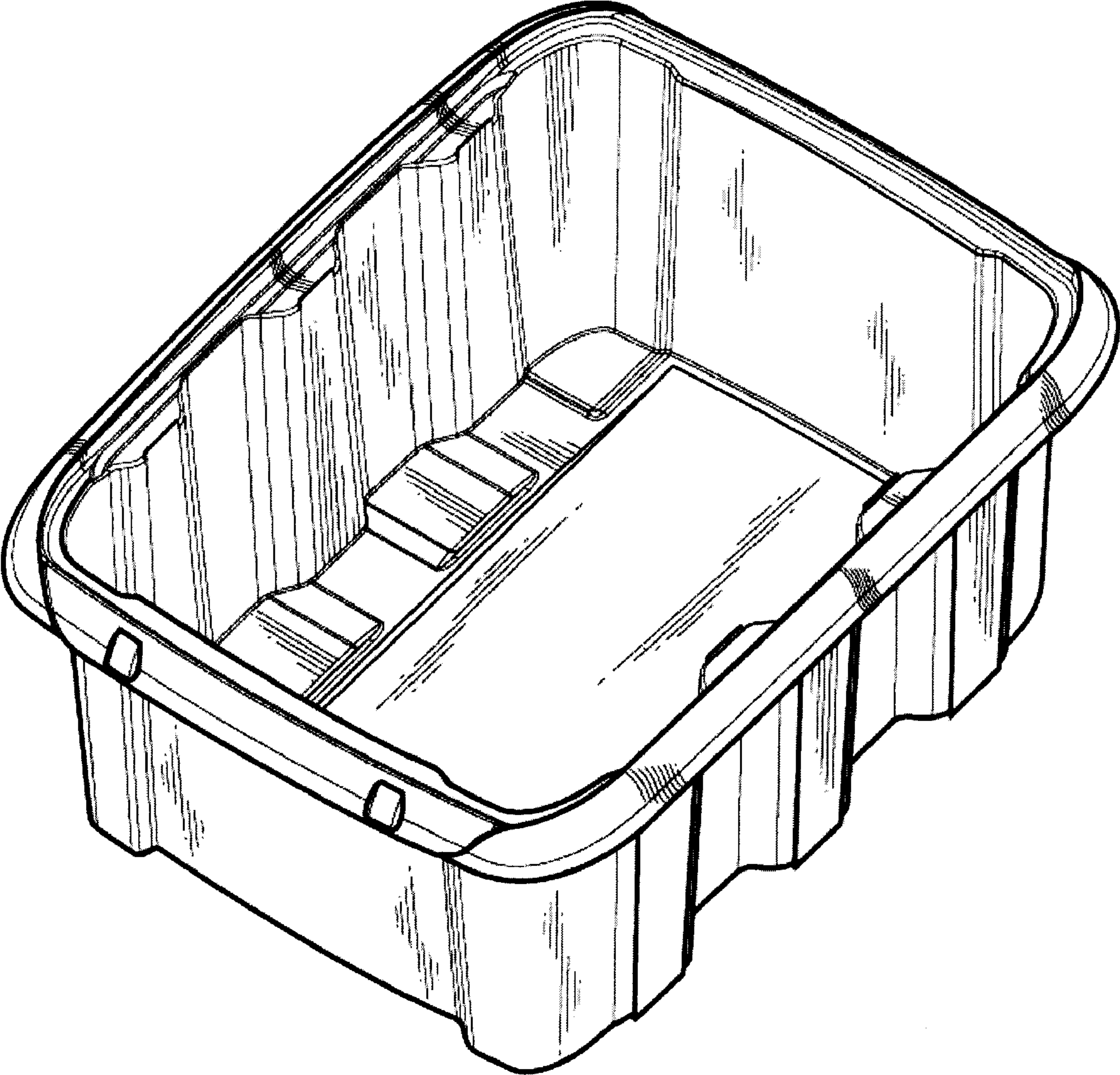


FIG. 1

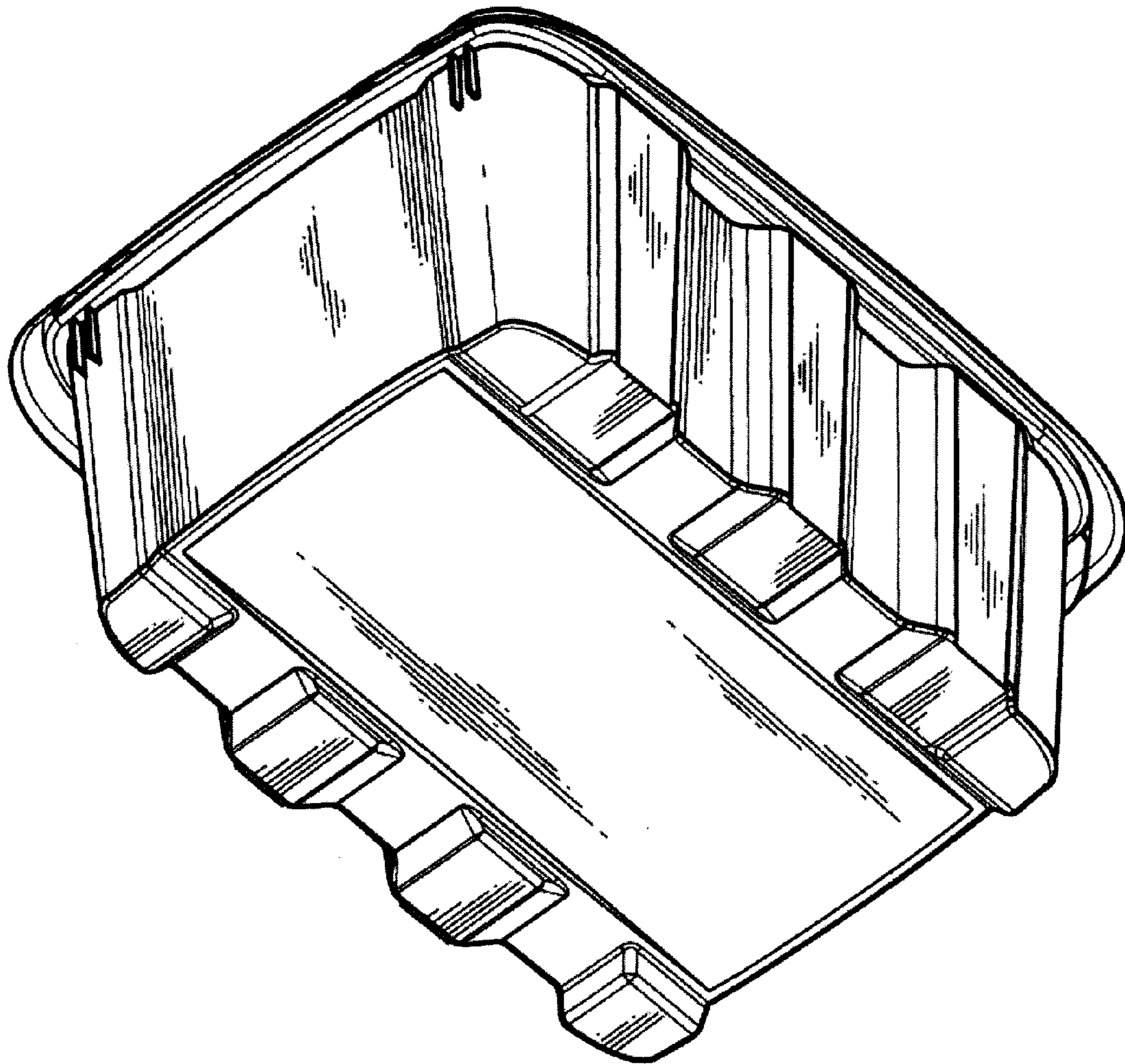


FIG. 2

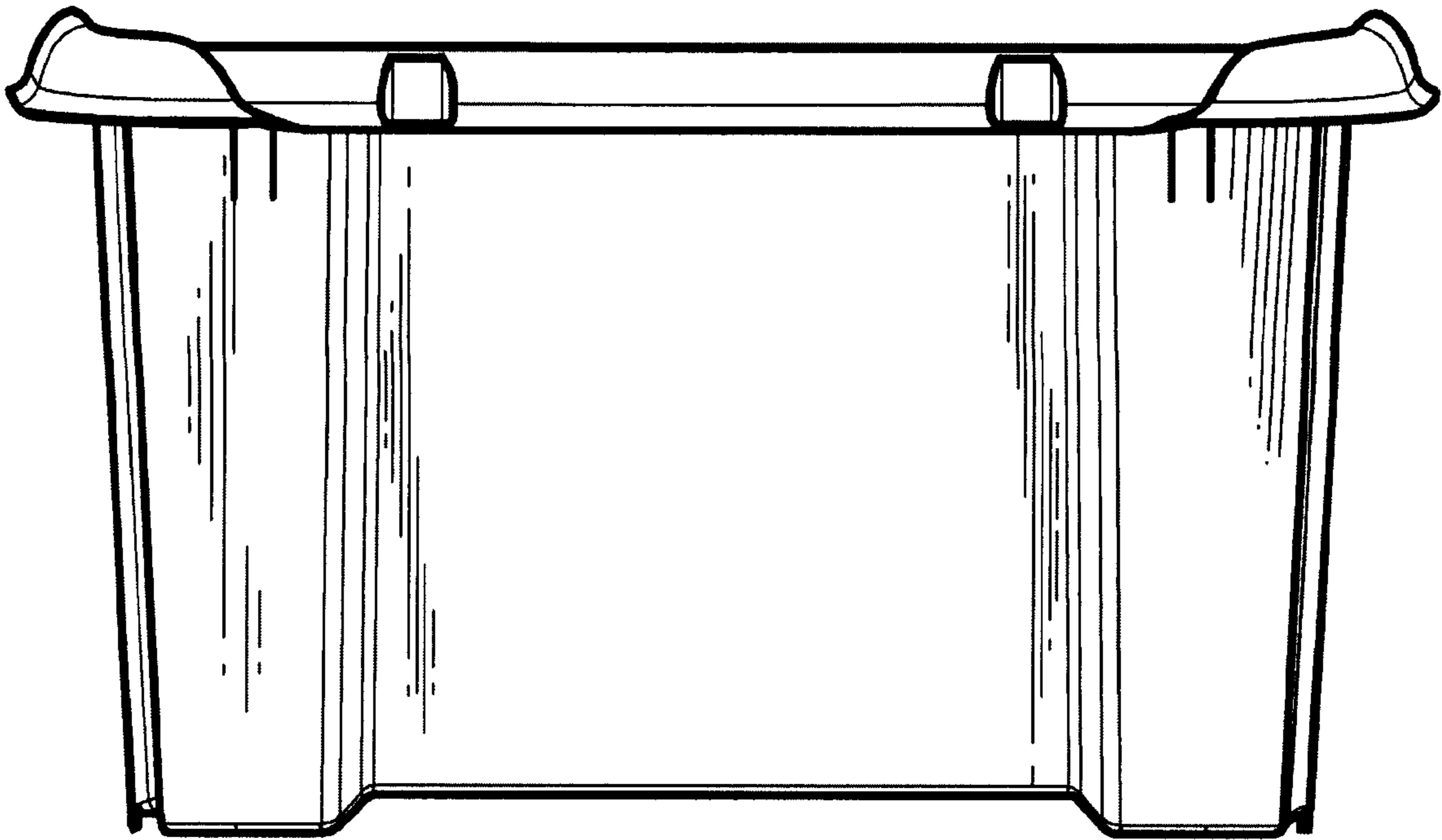


FIG. 3

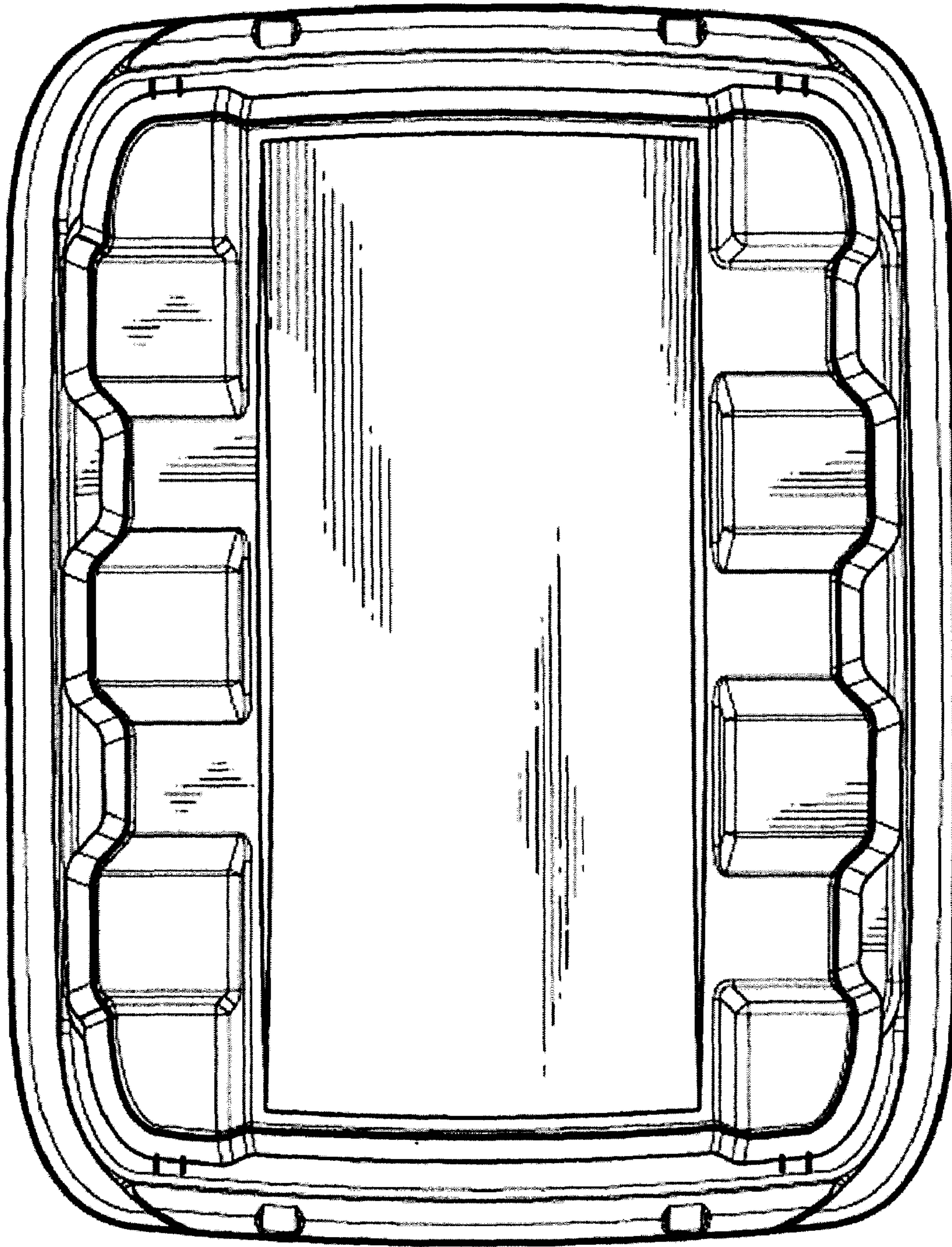


FIG. 4

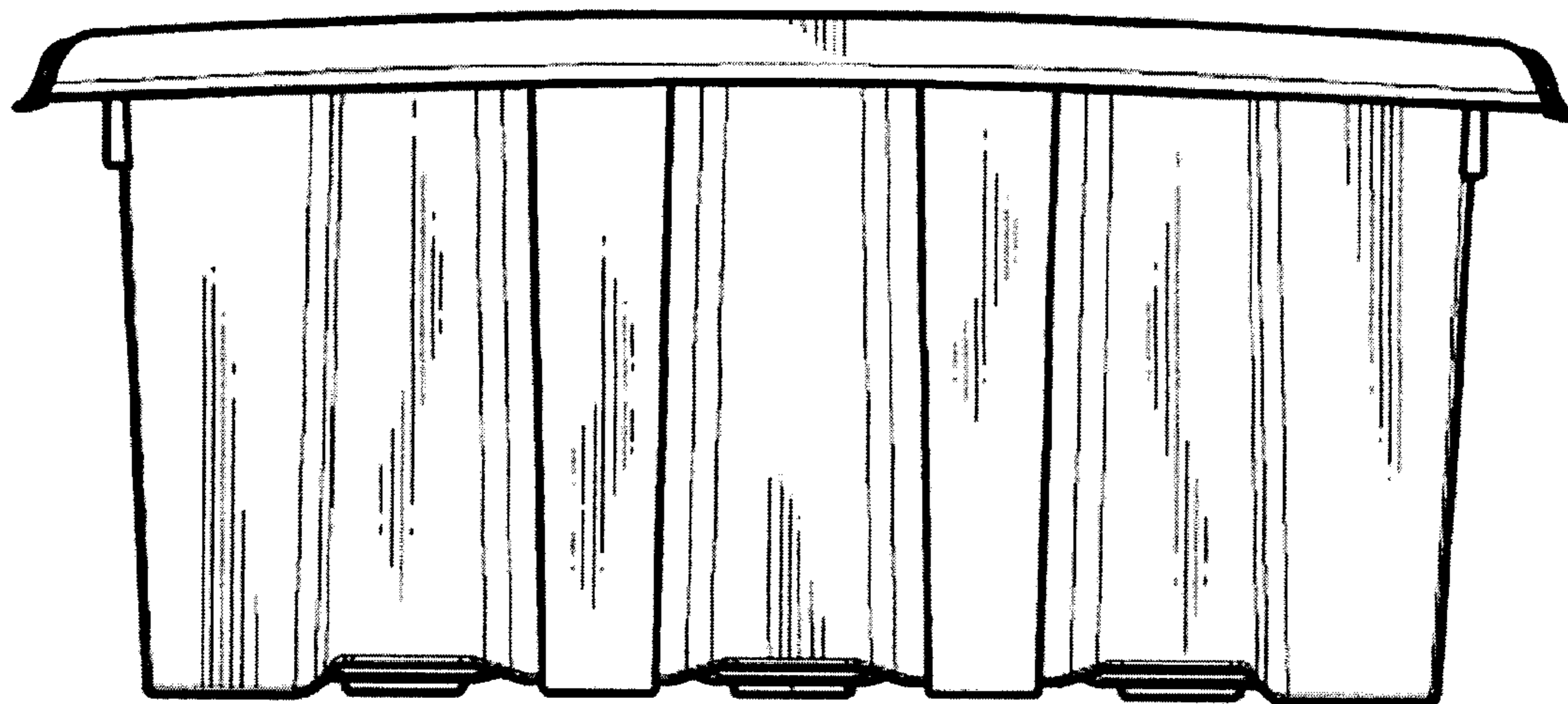


FIG. 5

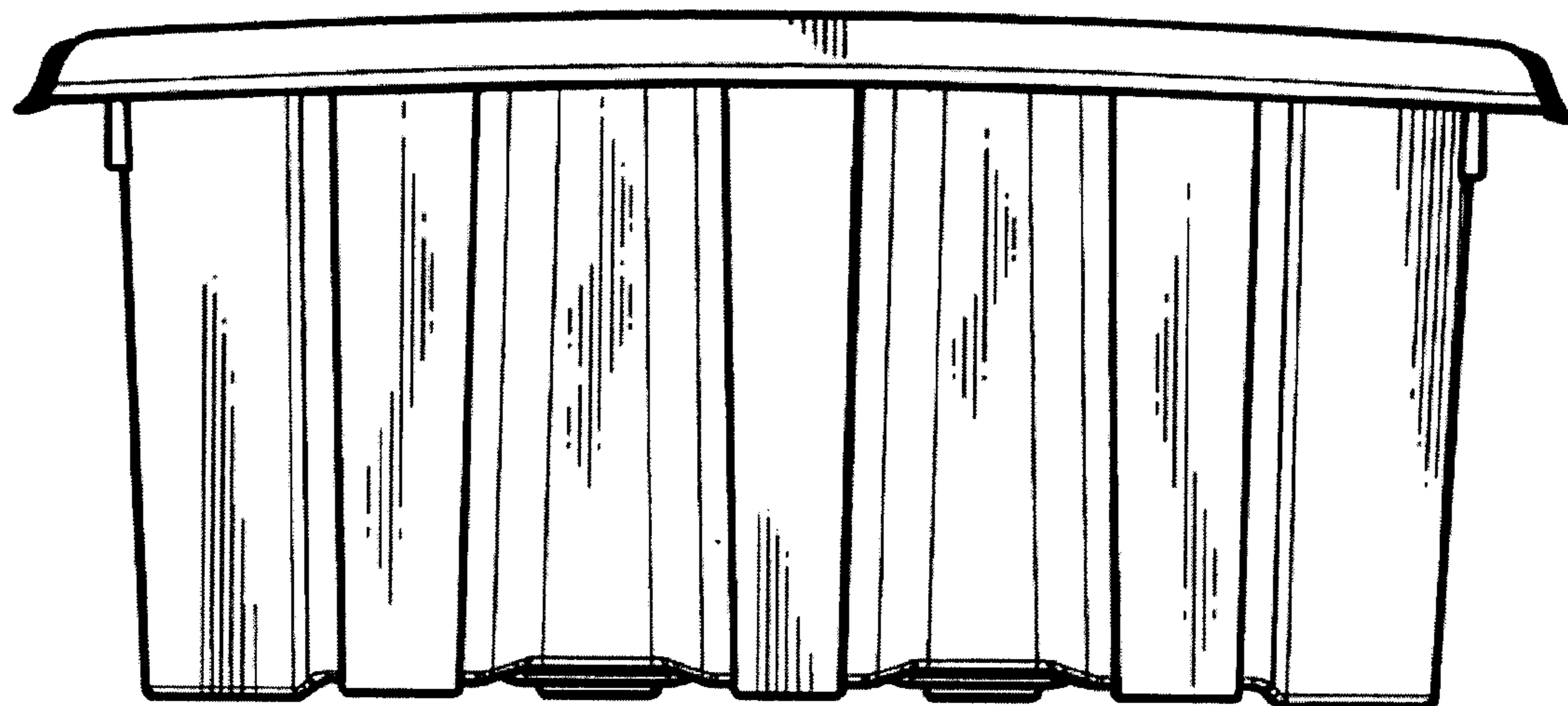


FIG. 6

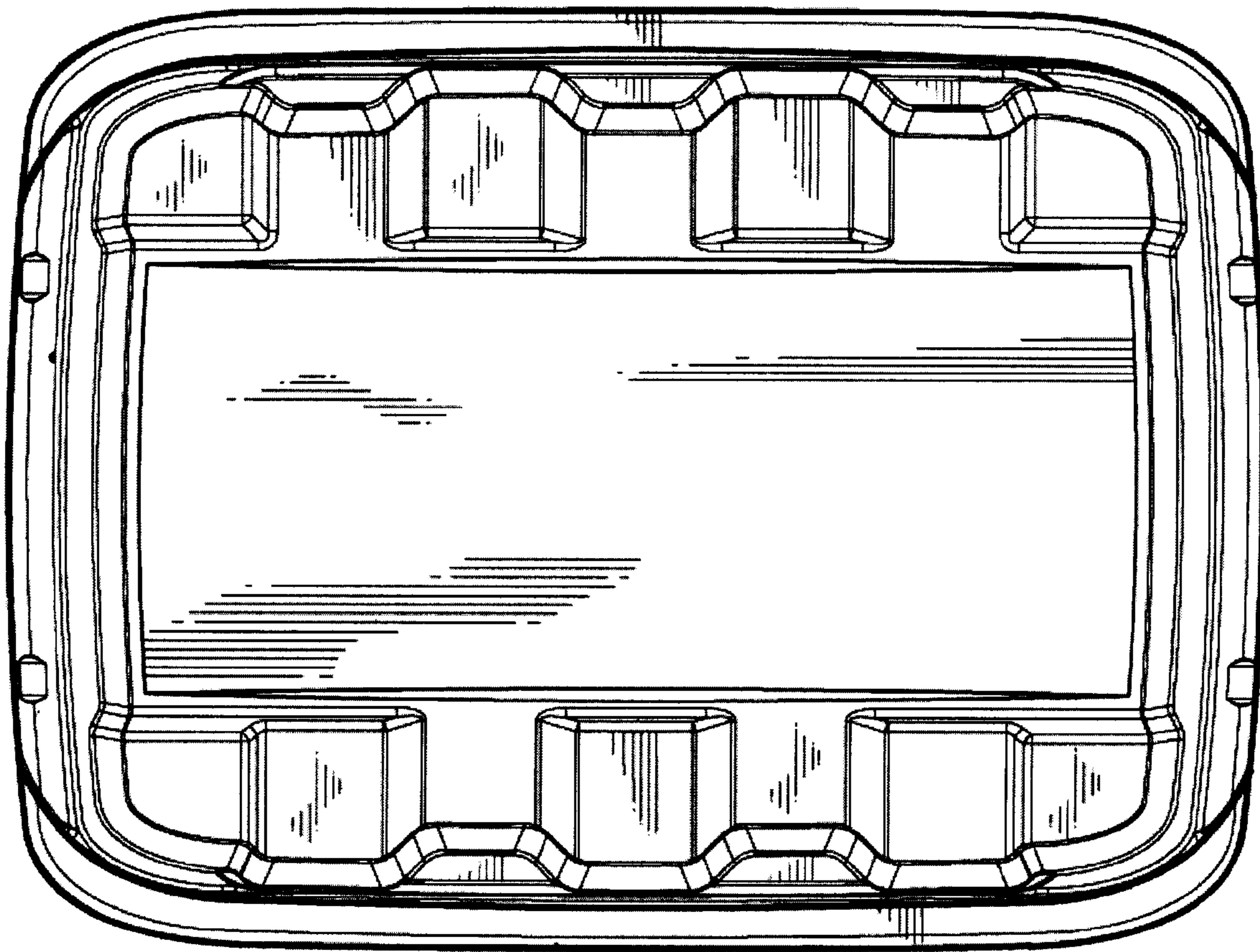


FIG. 7