

US00D549453S

(12) **United States Design Patent**
Chang

(10) **Patent No.:** **US D549,453 S**

(45) **Date of Patent:** **** Aug. 28, 2007**

(54) **TOOL CARRIER**

(76) Inventor: **Shu Chen Chang**, No. 104, Hsinjen
2nd Street, Dali, Taichung Hsien 41249
(TW)

(**) Term: **14 Years**

(21) Appl. No.: **29/258,171**

(22) Filed: **Apr. 18, 2006**

(51) **LOC (8) Cl.** **03-01**

(52) **U.S. Cl.** **D3/303**

(58) **Field of Classification Search** D3/315,
D3/316, 321, 228, 229, 303, 309; D6/468;
81/117.4, 490; 206/209, 349, 362, 372, 377;
224/148.7, 230, 677, 679

See application file for complete search history.

(56) **References Cited**

U.S. PATENT DOCUMENTS

D314,670 S *	2/1991	Schultz	D3/228
6,065,598 A *	5/2000	Anderson	81/490
D436,436 S *	1/2001	Lin	D3/228
D451,275 S *	12/2001	Snider et al.	D3/228

D490,975 S *	6/2004	Hung	D3/228
2006/0101955 A1 *	5/2006	Chang	81/490

* cited by examiner

Primary Examiner—Louis S. Zarfaz

Assistant Examiner—Monica A. Weingart

(74) *Attorney, Agent, or Firm*—Charles E. Baxley

(57) **CLAIM**

The ornamental design for a tool carrier, as shown and described.

DESCRIPTION

FIG. 1 is a perspective view of a tool carrier showing my new design;

FIG. 2 is a front elevational view thereof;

FIG. 3 is a rear elevational view thereof;

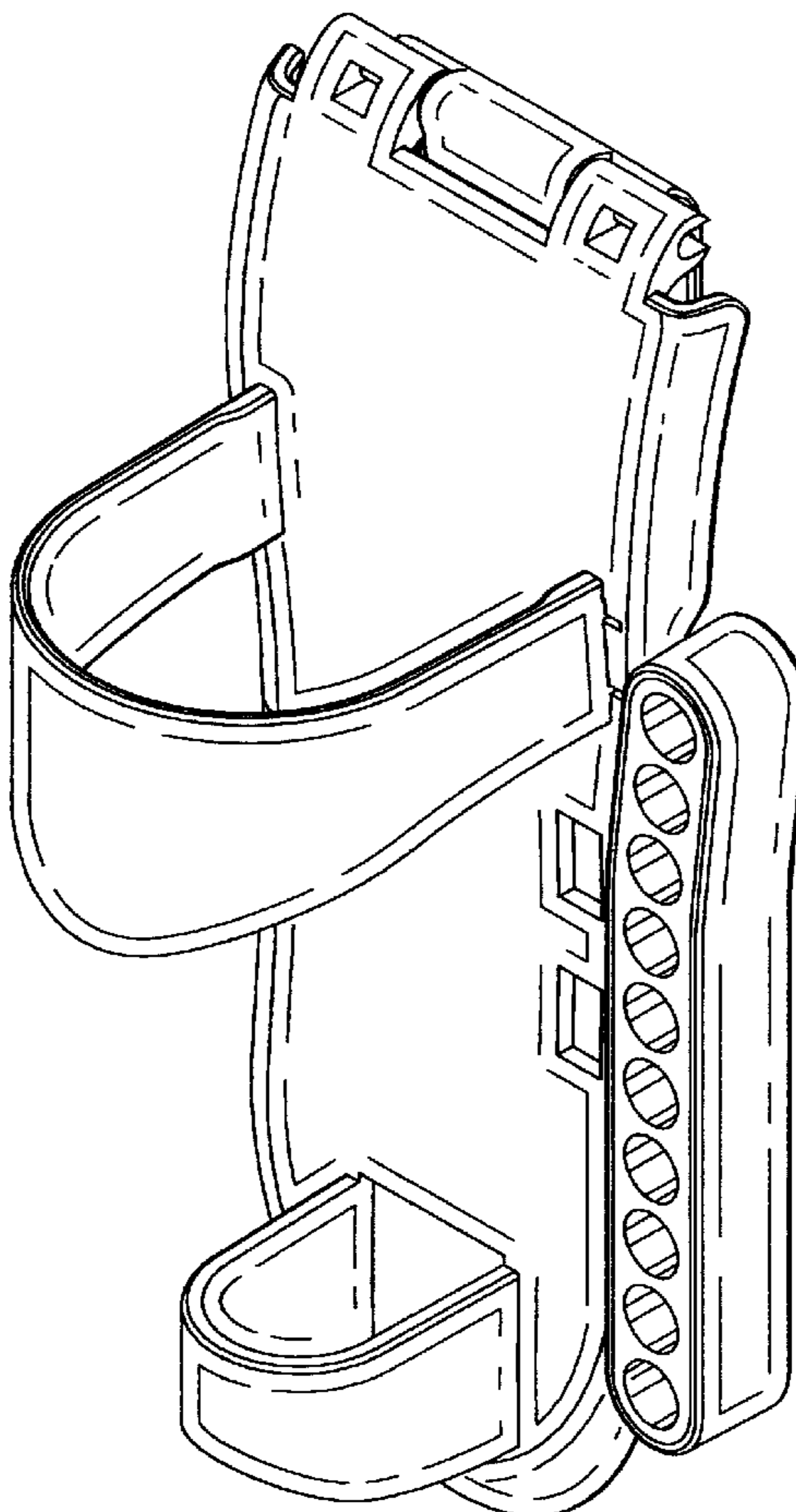
FIG. 4 is a top plan view thereof;

FIG. 5 is a bottom plan view thereof;

FIG. 6 is a left side elevational view thereof; and,

FIG. 7 is a right side elevational view thereof.

1 Claim, 6 Drawing Sheets



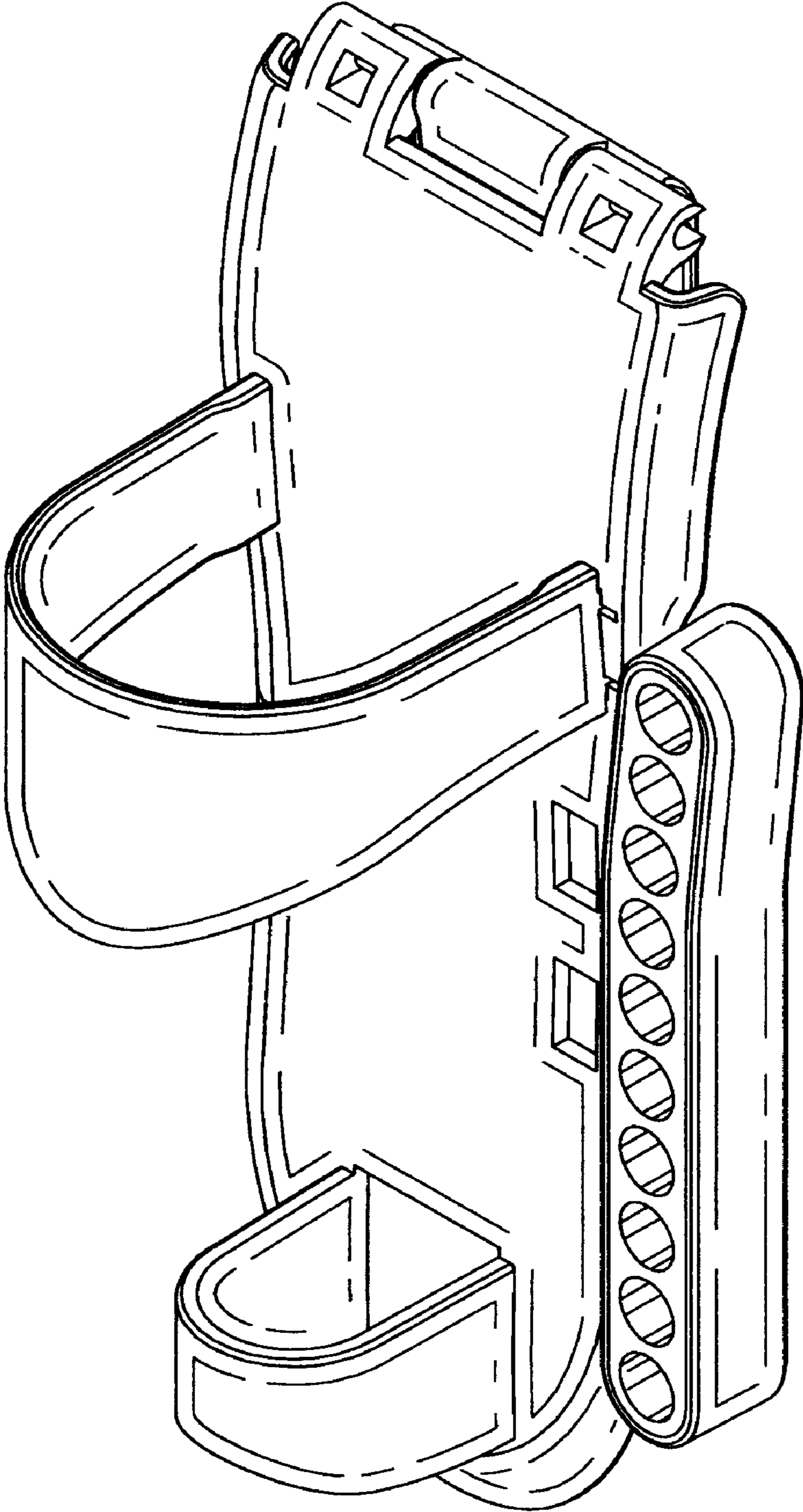


FIG. 1

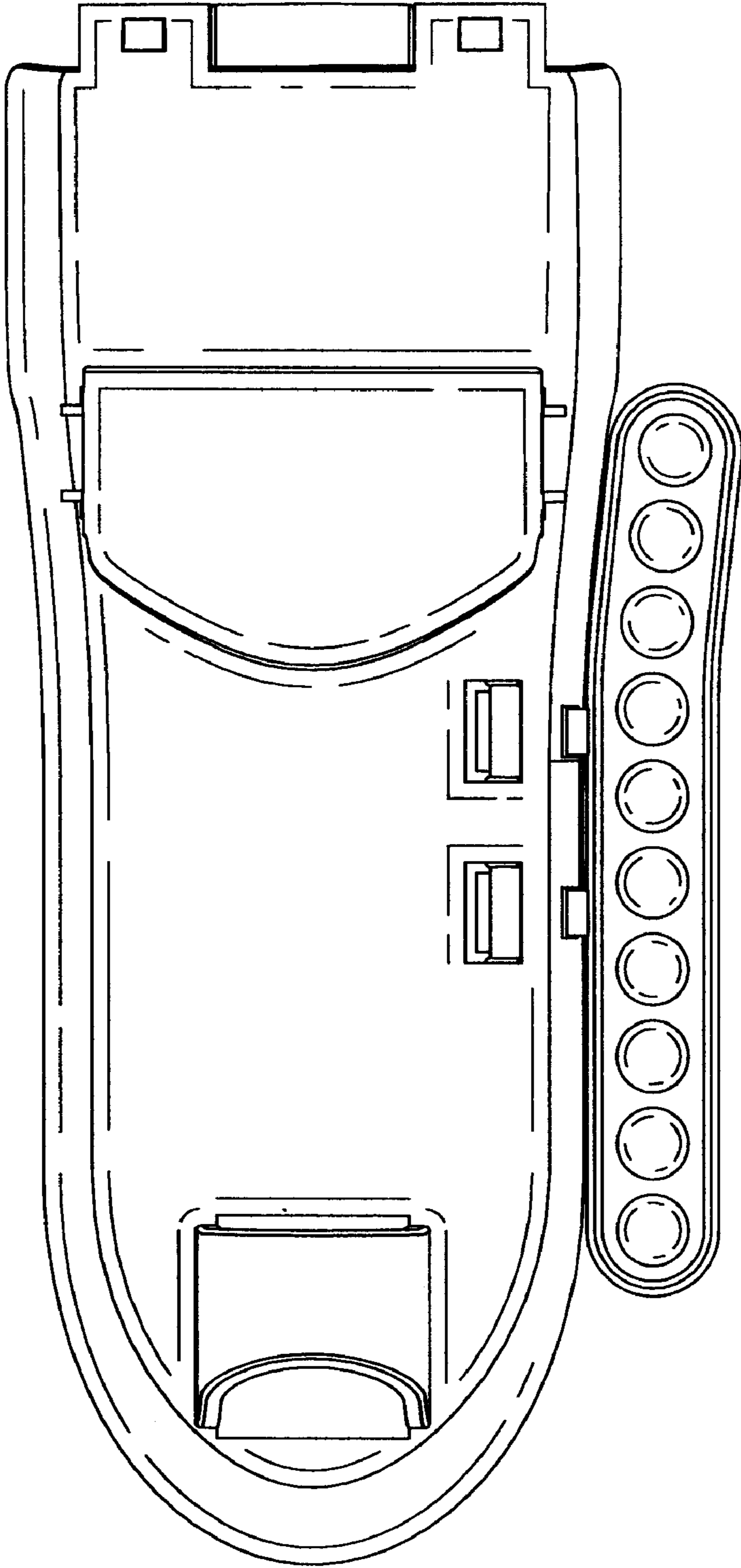


FIG. 2

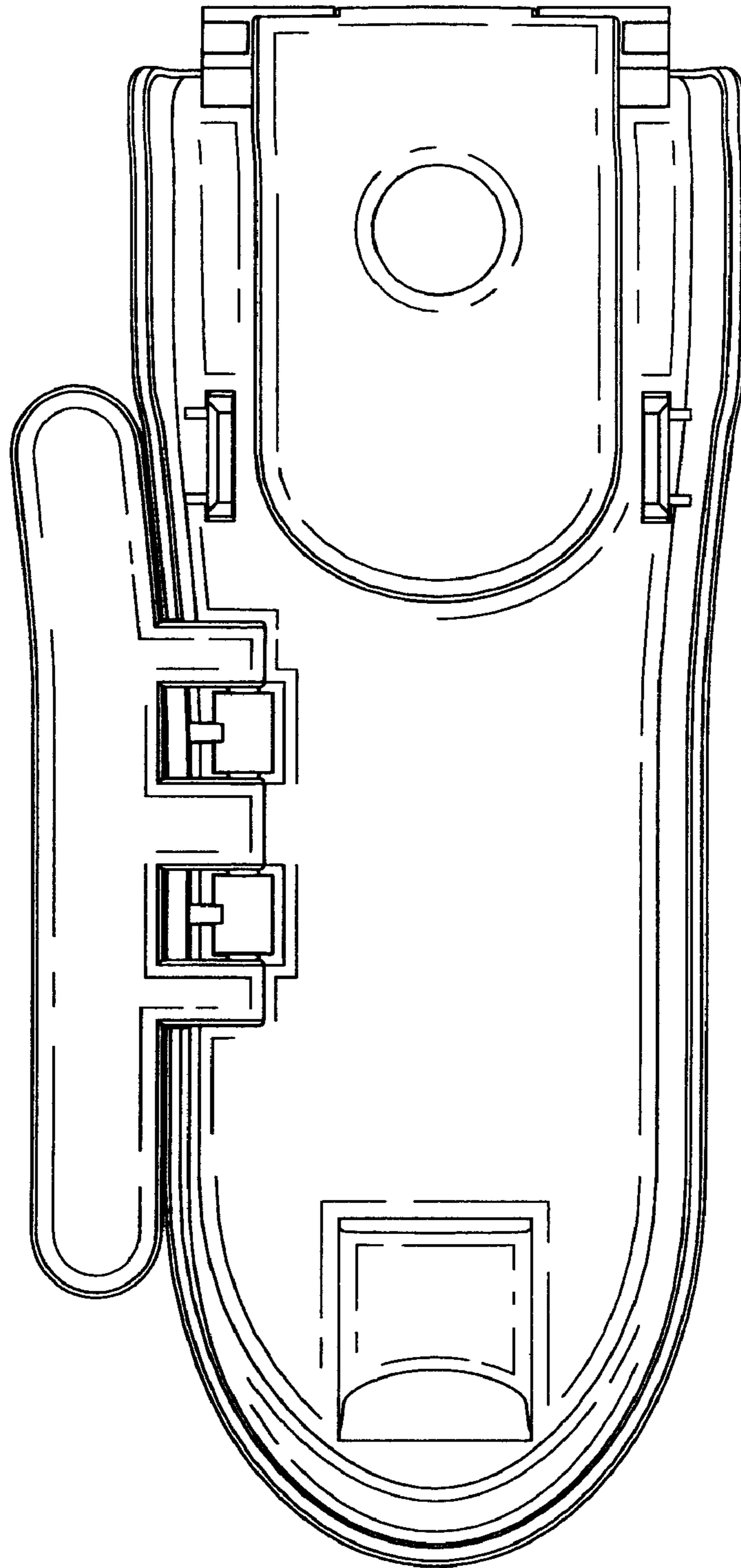


FIG. 3

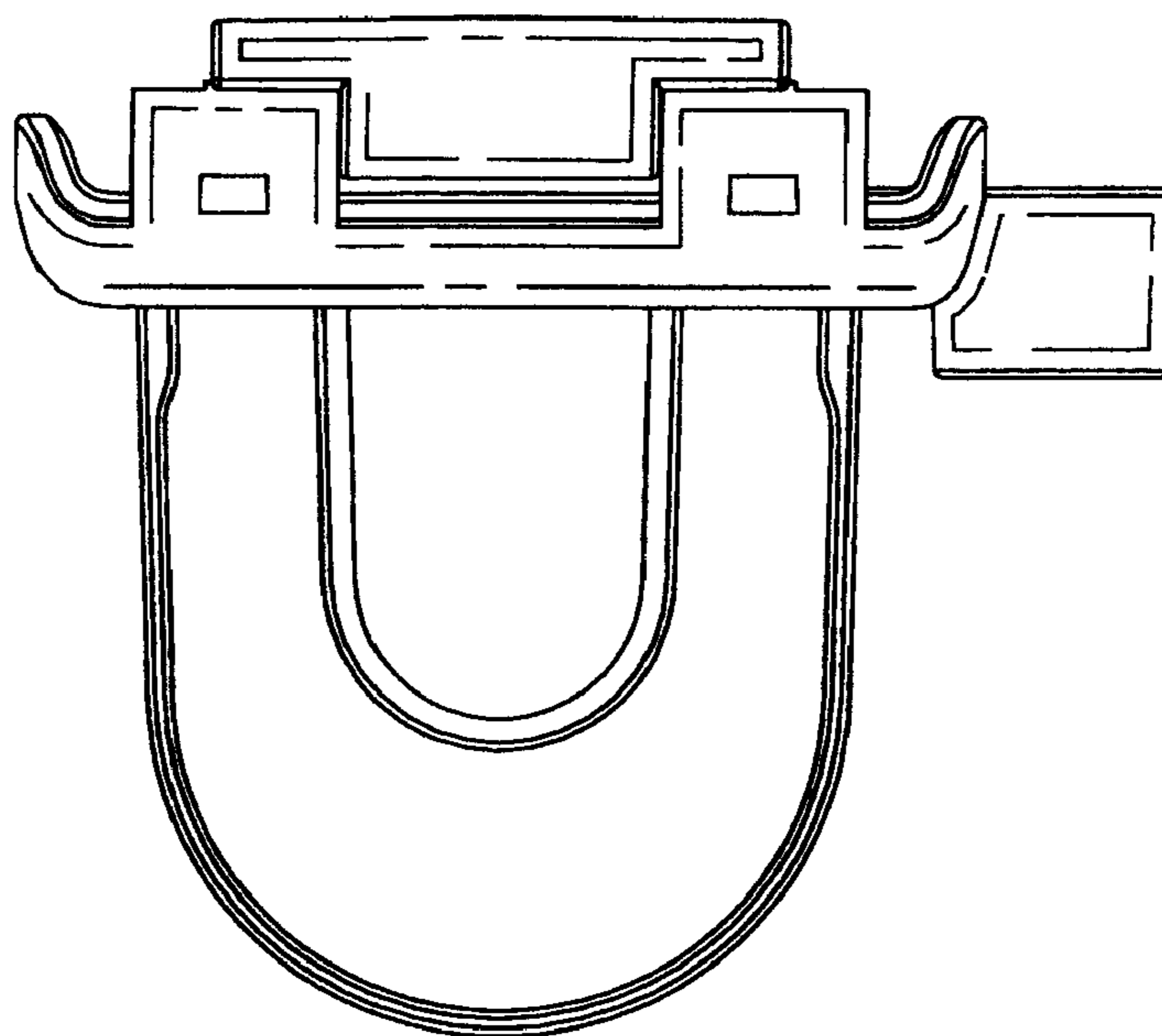


FIG. 4

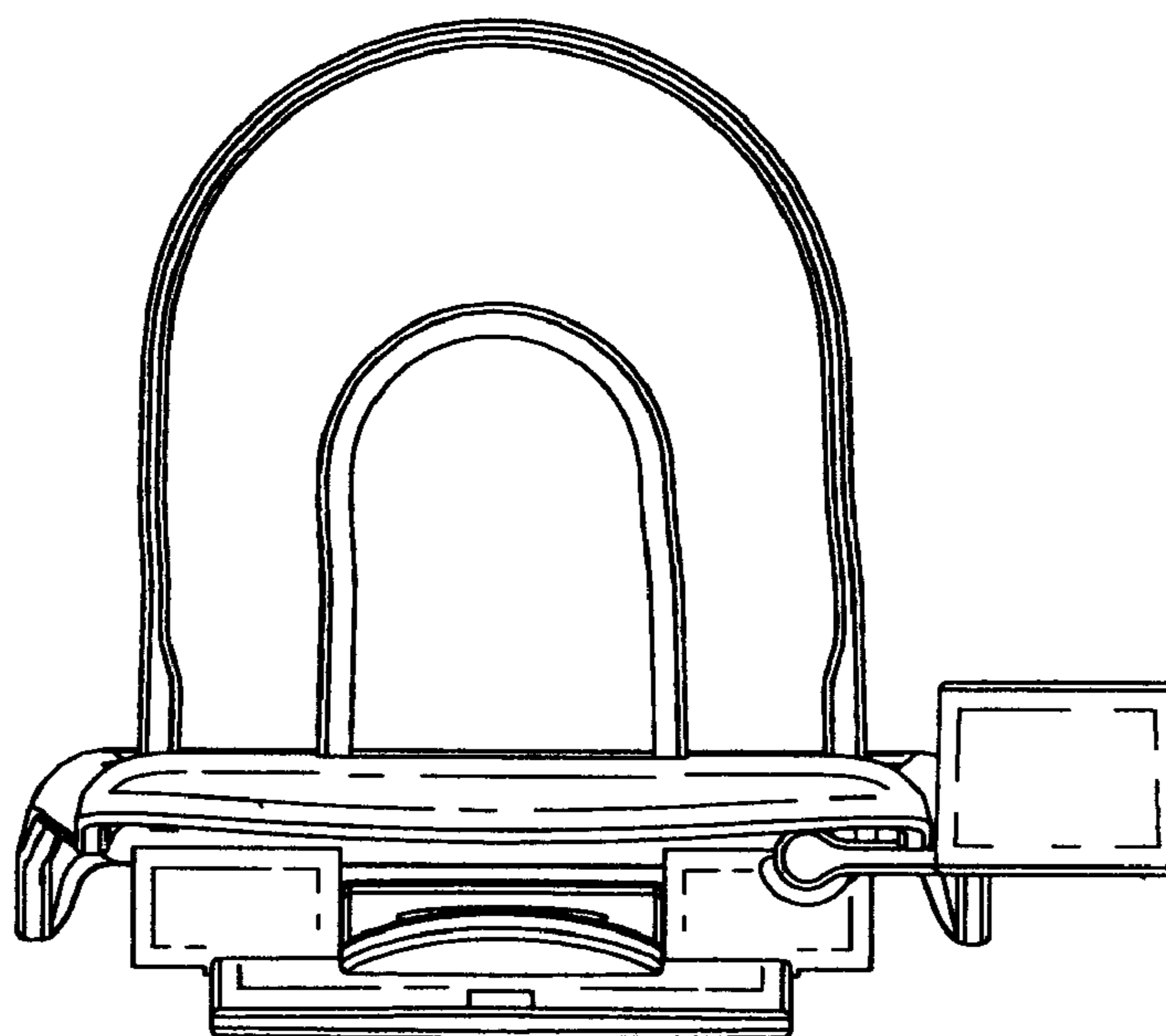


FIG. 5

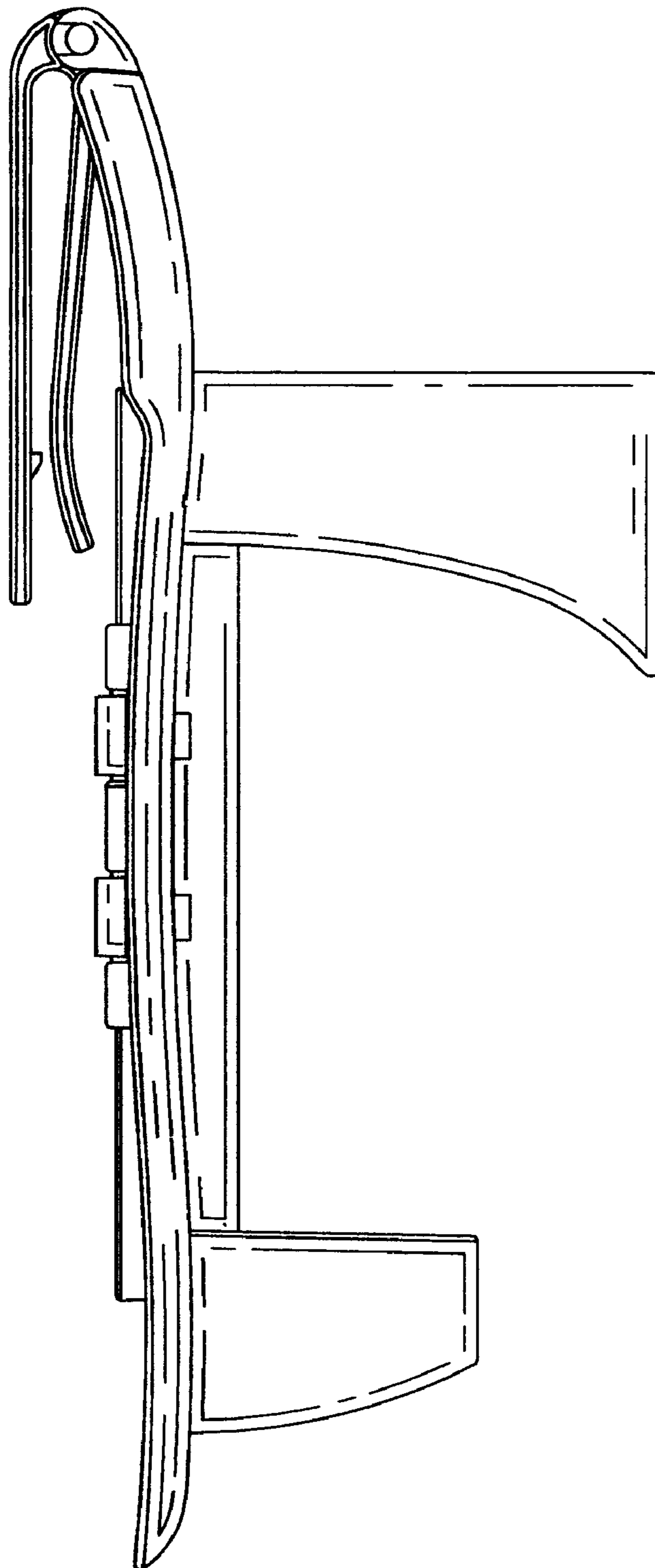


FIG. 6

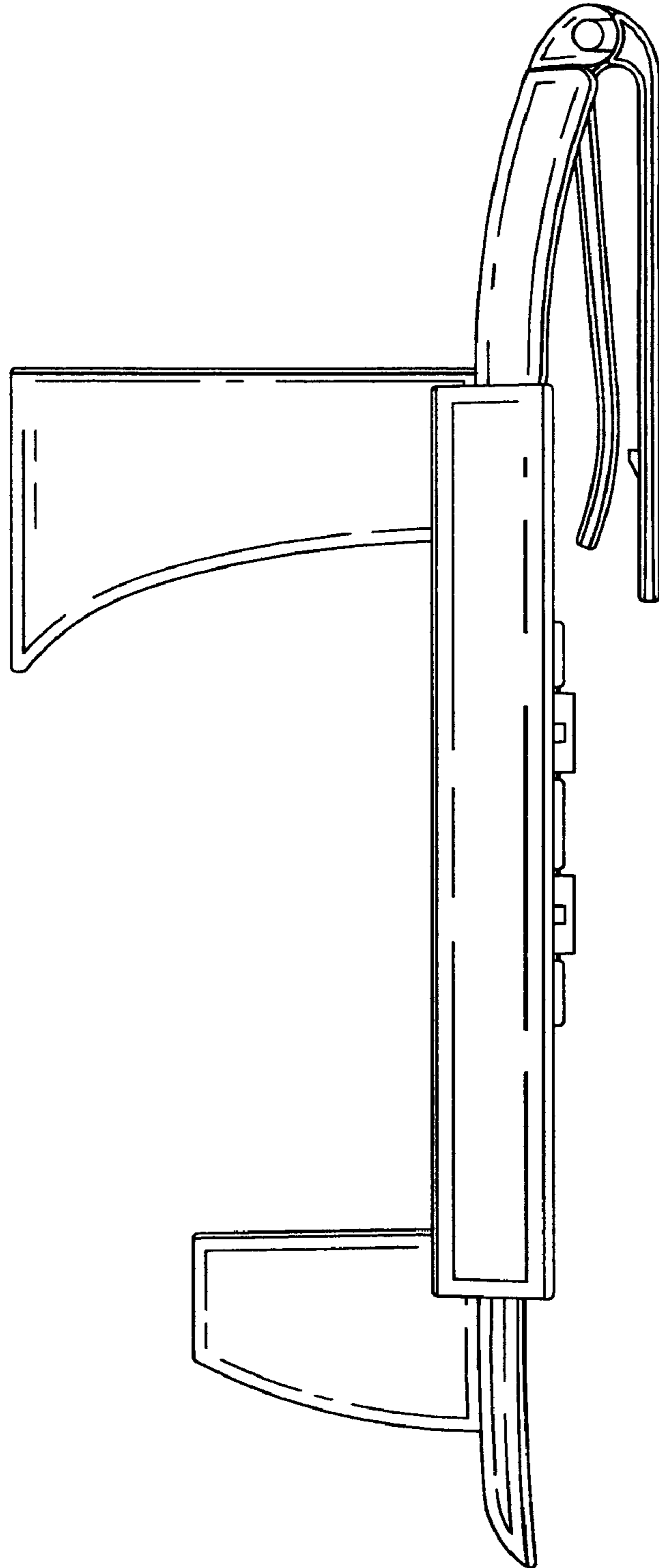


FIG. 7