

US00D549452S

(12) **United States Design Patent**
Janky et al.

(10) **Patent No.:** **US D549,452 S**

(45) **Date of Patent:** **** Aug. 28, 2007**

(54) **HOLSTER FOR NETWORK TEST INSTRUMENT**

(75) Inventors: **Sena E. R. Janky**, Sammamish, WA (US); **Wayne S. Hoofnagle**, Redmond, WA (US)

(73) Assignee: **Fluke Corporation**, Everett, WA (US)

(**) Term: **14 Years**

(21) Appl. No.: **29/247,843**

(22) Filed: **Jul. 15, 2006**

(51) **LOC (8) Cl.** **03-01**

(52) **U.S. Cl.** **D3/301; D3/221**

(58) **Field of Classification Search** D3/201, D3/226, 227, 318, 304, 313; D9/456, 432, D9/414, 337; 206/557, 559, 701, 562, 712, 206/564, 305; 224/242, 245, 676, 929; D14/251, D14/253

See application file for complete search history.

(56) **References Cited**

U.S. PATENT DOCUMENTS

- D397,246 S * 8/1998 Hoofnagle et al. D3/201
- D481,033 S * 10/2003 Peiker D14/253
- 6,646,864 B2 * 11/2003 Richardson 206/305
- D484,697 S * 1/2004 McCoy et al. D3/304

- D484,874 S * 1/2004 Chang et al. D14/250
- D494,964 S * 8/2004 Lodato et al. D14/253
- D532,004 S * 11/2006 Kettula et al. D14/253
- 7,146,686 B2 * 12/2006 Saaski et al. 224/269

* cited by examiner

Primary Examiner—Antoine D. Davis

(74) *Attorney, Agent, or Firm*—Richard A. Koske; James H. Walters

(57) **CLAIM**

We claim the ornamental design for a holster for network test instrument, as shown and described.

DESCRIPTION

FIG. 1 is a perspective view of the design for a holster for network test instrument;

FIG. 2 is a front plan view of the design of FIG. 1;

FIG. 3 is a rear plan view of the design of FIG. 1;

FIG. 4 is a right side elevation view of the design of FIG. 1;

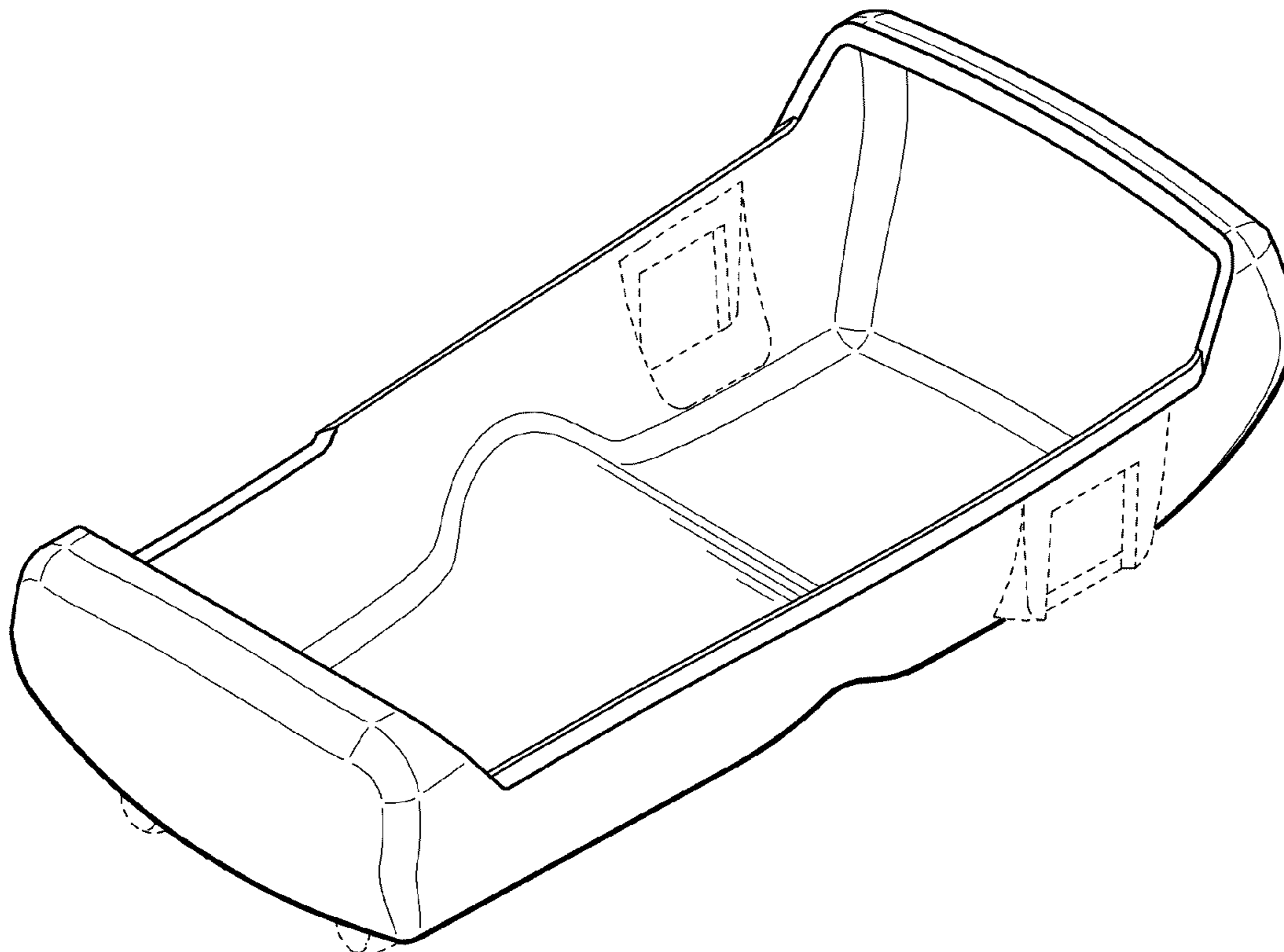
FIG. 5 is a left side elevation view of the design of FIG. 1;

FIG. 6 is a top elevation view of the design of FIG. 1; and,

FIG. 7 is a bottom elevation view of the design of FIG. 1.

The broken lines showing in FIGS. 1–6 are for illustrative purposes only and forms no part of the claimed design.

1 Claim, 3 Drawing Sheets



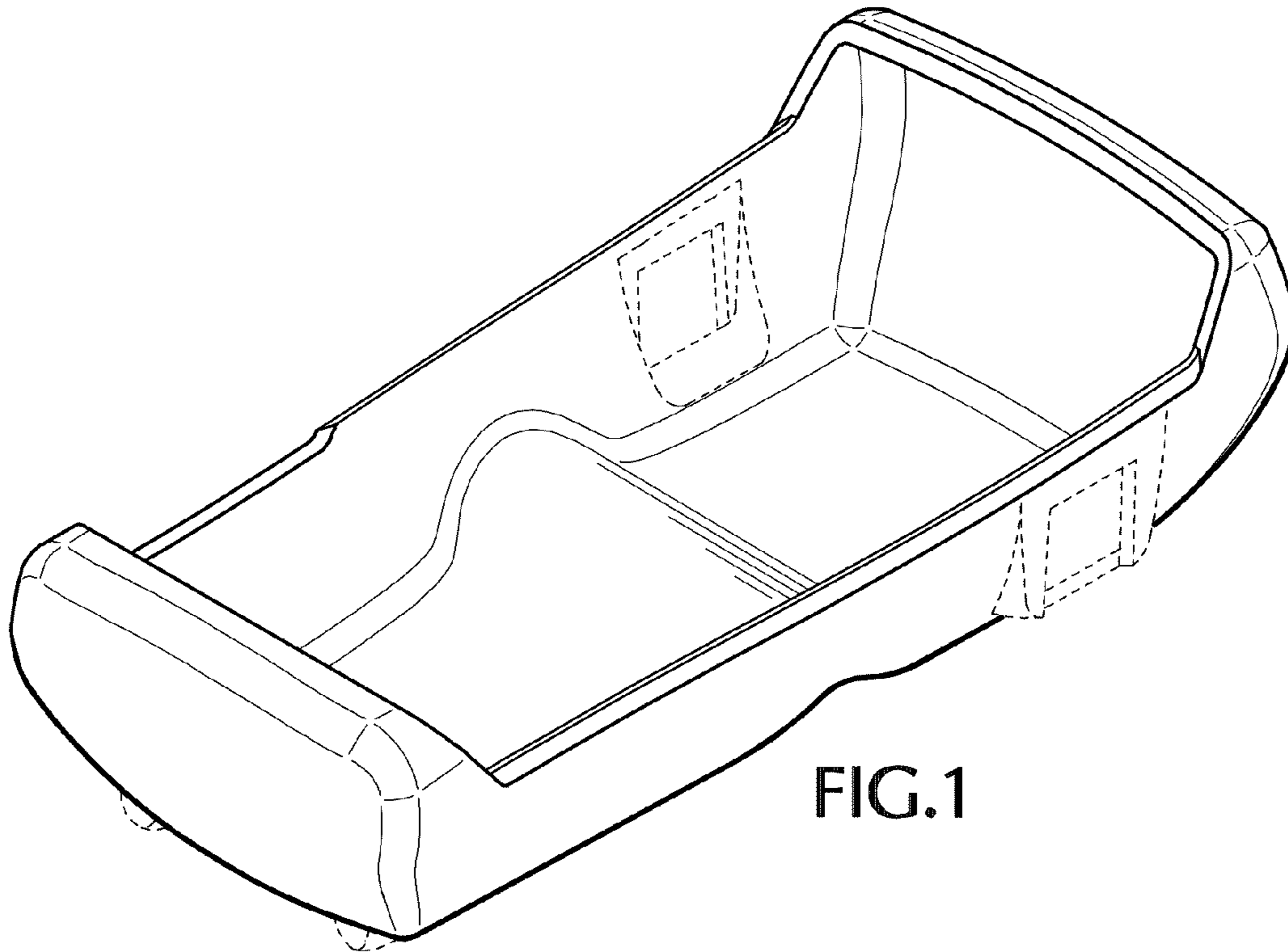


FIG. 1

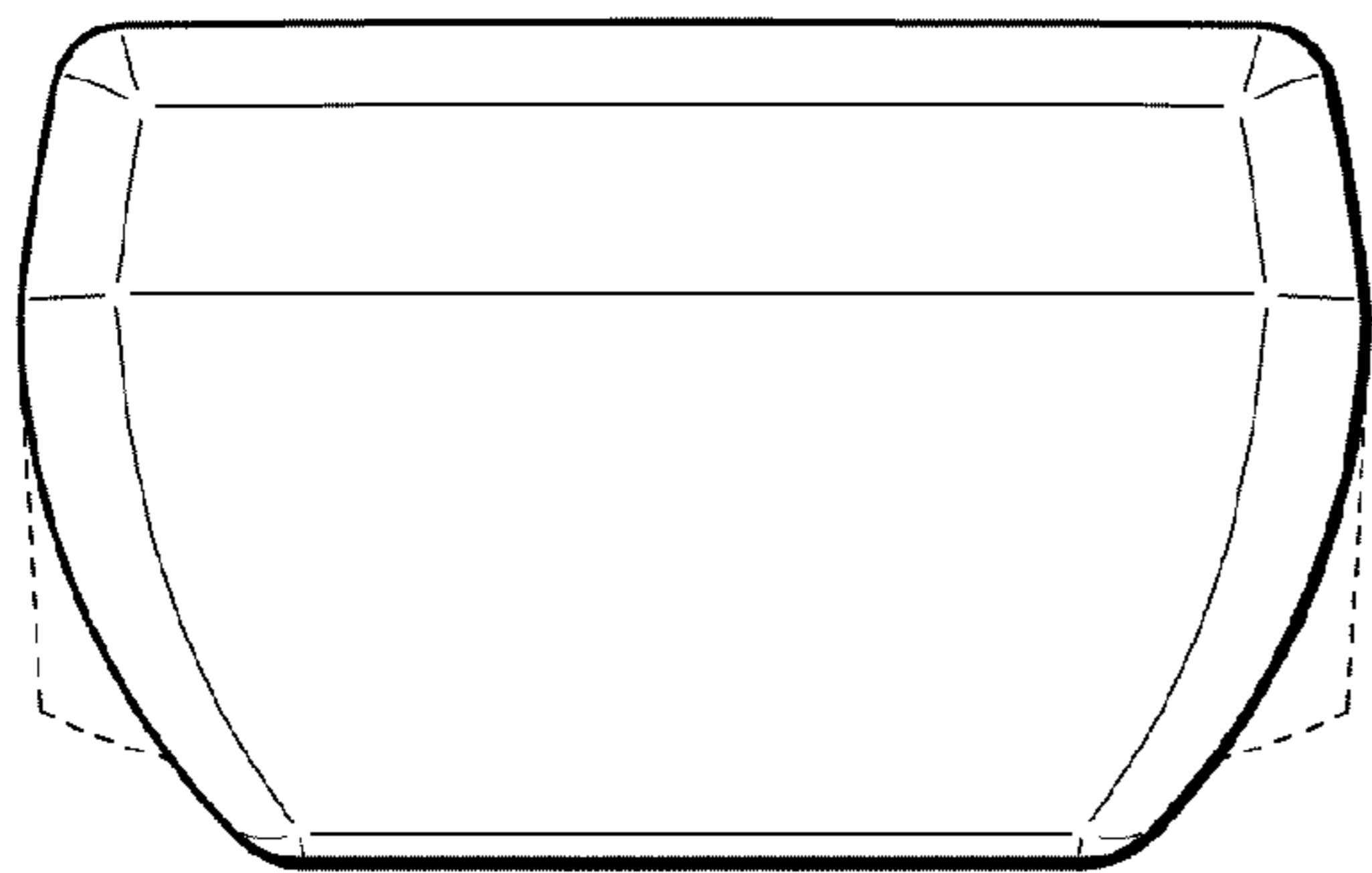


FIG. 6

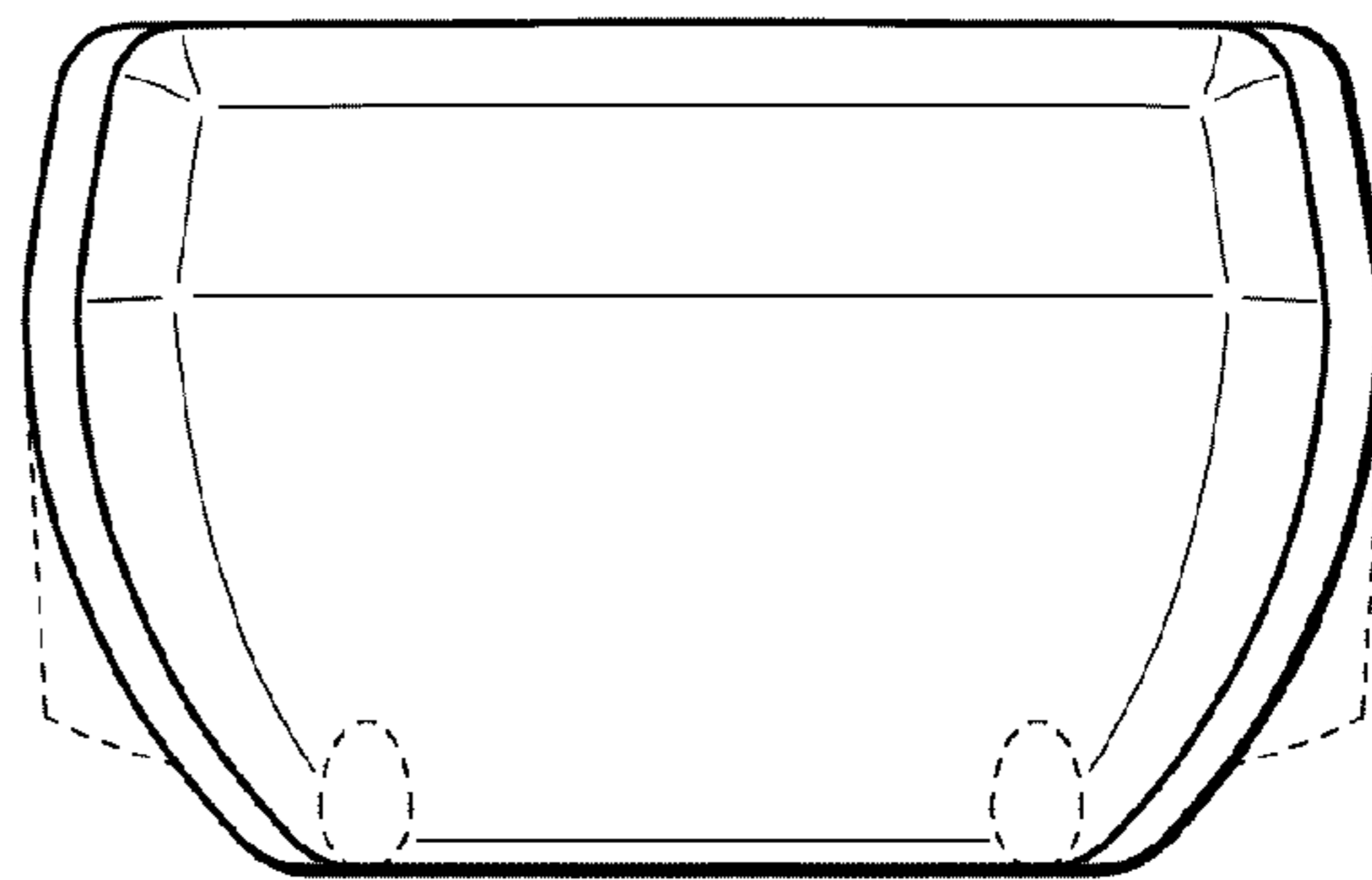


FIG. 7

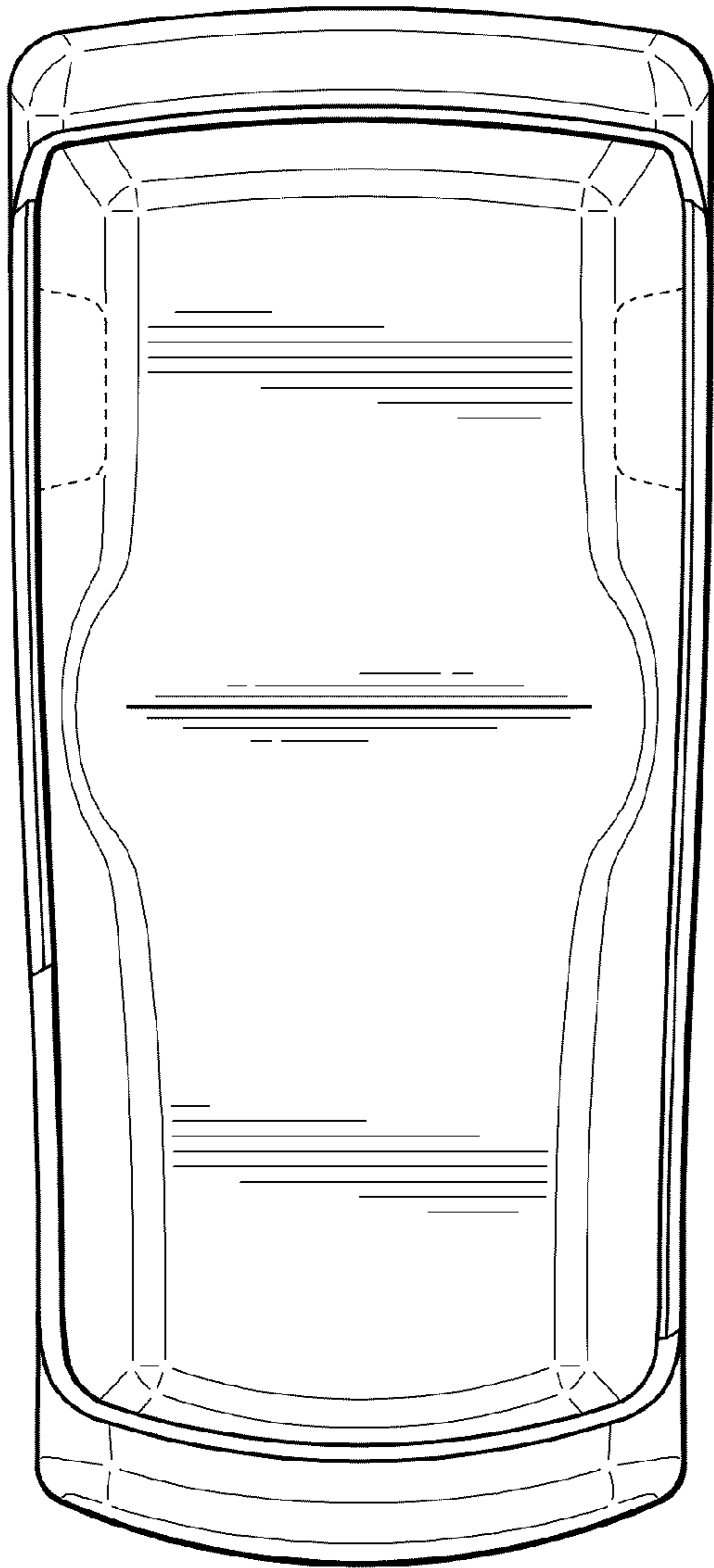


FIG. 2

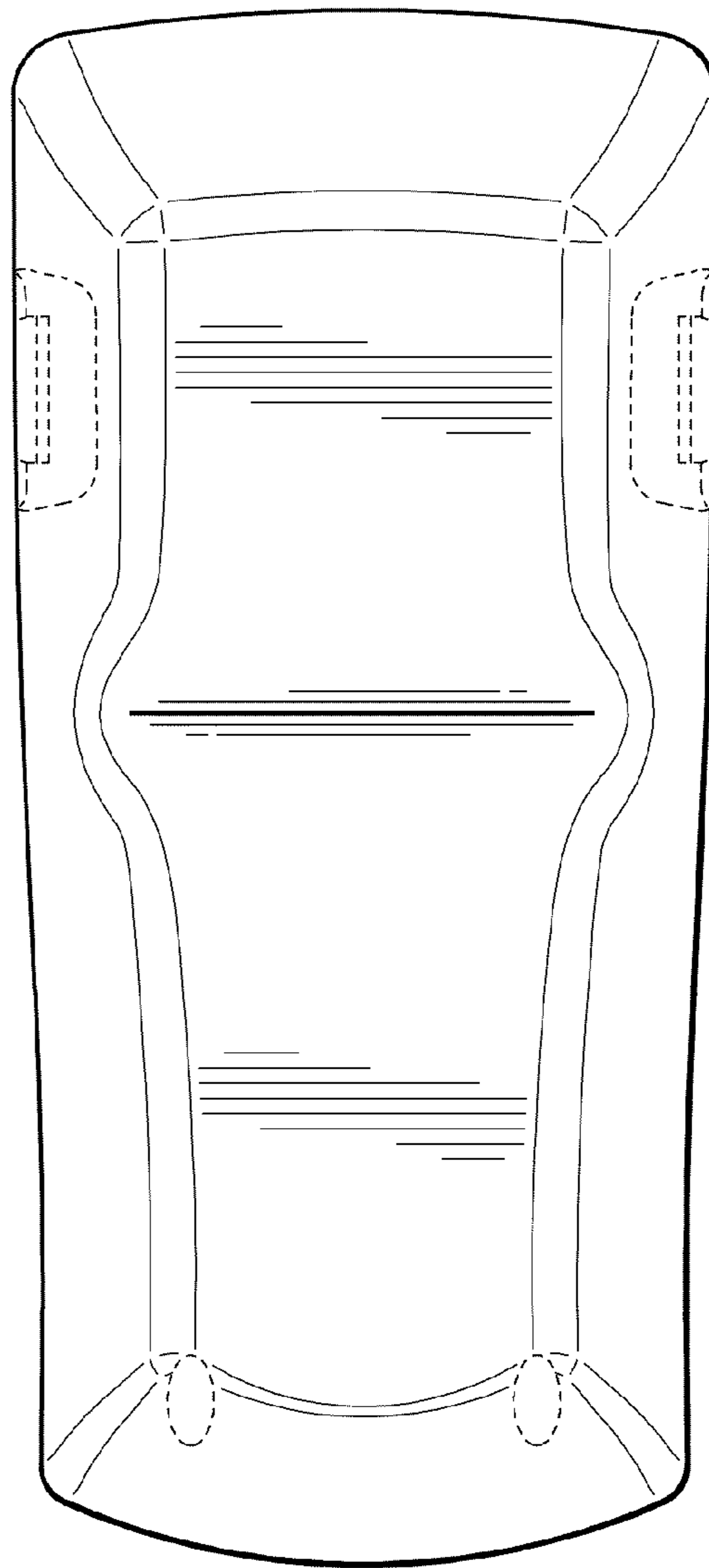


FIG. 3

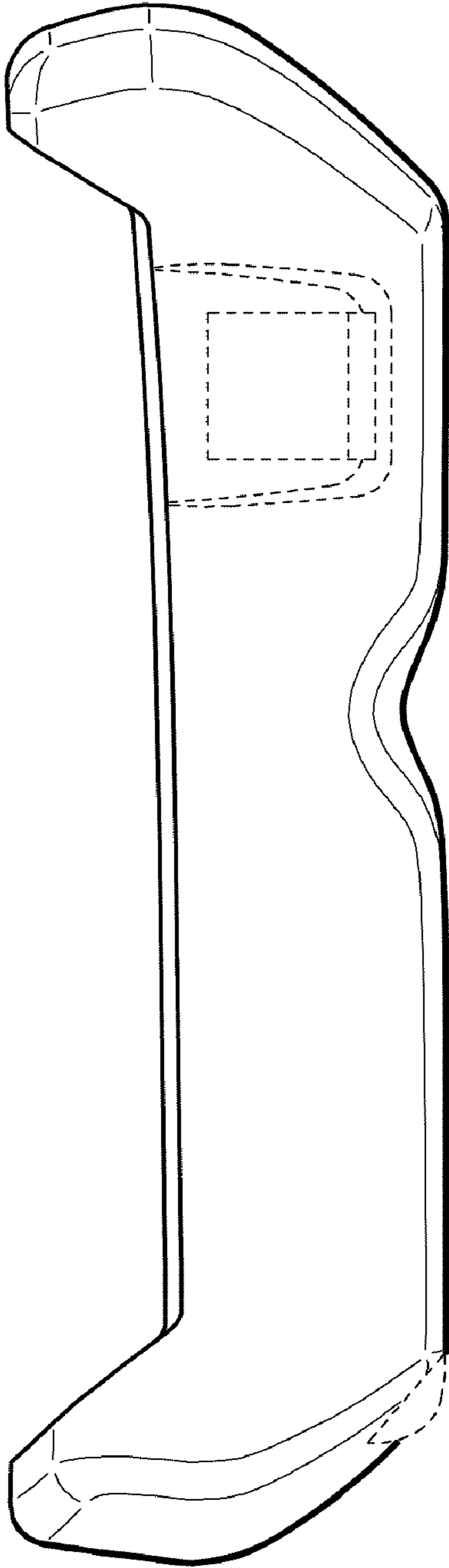


FIG. 4

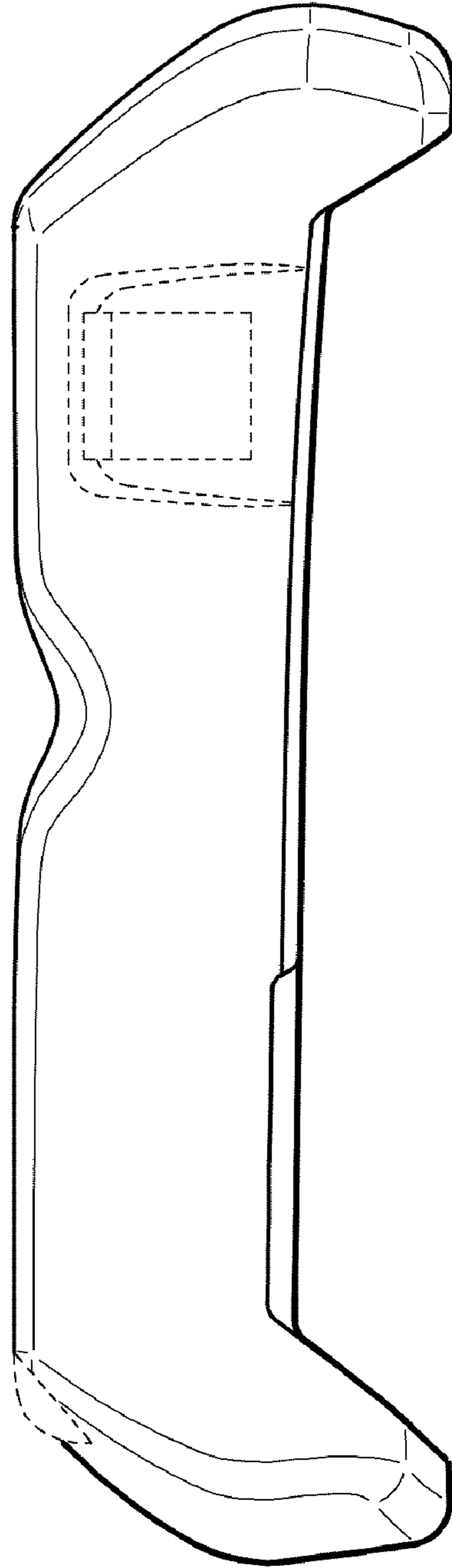


FIG. 5