

US00D549451S

(12) **United States Design Patent**
Sann

(10) **Patent No.:** **US D549,451 S**

(45) **Date of Patent:** **** Aug. 28, 2007**

(54) **MULTI-HINGED STORAGE AND DISPLAY STRUCTURE**

6,925,739 B1 * 8/2005 Cole et al. 40/120
2005/0269243 A1 * 12/2005 Andersen 206/736

(75) Inventor: **Jonathan Sann**, Miami, FL (US)

* cited by examiner

(73) Assignee: **Jonathan Drew, Inc.**, Miami, FL (US)

Primary Examiner—Gary D. Watson
Assistant Examiner—RoseLynne (Ulm) Cody

(**) Term: **14 Years**

(74) *Attorney, Agent, or Firm*—Dilworth Paxson LLP; John W. Goldschmidt, Jr.; Philip J. Foret

(21) Appl. No.: **29/238,686**

(22) Filed: **Sep. 19, 2005**

(57) **CLAIM**

(51) **LOC (8) Cl.** **03-01**

The ornamental design for the multi-hinged storage and display structure, as shown and described.

(52) **U.S. Cl.** **D3/294; D9/423**

(58) **Field of Classification Search** D3/206,
D3/272–274, 294–295, 905, 414, 418, 420–423,
D3/432, 715, 721; 206/46.2, 251, 272, 823;
40/120

DESCRIPTION

See application file for complete search history.

FIG. 1 is a perspective view of a multi-hinged storage and display structure in accordance with a preferred embodiment of the present invention;

(56) **References Cited**

U.S. PATENT DOCUMENTS

FIG. 2 is a front perspective view of a multi-hinged storage and display structure in accordance with a preferred embodiment of the present invention;

208,731 A	10/1878	Gringmuth	
352,845 A	5/1887	Kinkey	
401,974 A	4/1889	Smith et al.	
558,445 A	4/1896	Wander	
988,944 A	4/1911	Lincoln	
1,186,194 A	6/1916	Hohfelt	
1,790,370 A	1/1931	Earman	
D183,390 S *	3/1958	Snider et al.	D3/275
D203,022 S *	11/1965	Mayer	D3/275
3,251,637 A *	5/1966	Parsons, Jr.	312/227
D206,477 S *	12/1966	Ax	D3/275
3,595,426 A	7/1971	Conrad	
3,769,741 A	11/1973	Hessler et al.	
D259,918 S *	7/1981	Hufton	D9/423
D305,281 S *	1/1990	Chen	D28/76
D339,742 S *	9/1993	Walchek et al.	D3/203.3
D340,353 S *	10/1993	Benarrouch	D3/205
D348,607 S *	7/1994	Young	D9/423
D373,754 S	9/1996	Pinterpe	
6,129,237 A	10/2000	Miyahara	
6,353,529 B1 *	3/2002	Cies	361/681
6,364,100 B1	4/2002	Leibeck	
D460,259 S *	7/2002	Oelfke	D3/284

FIG. 3 is a back perspective view of a multi-hinged storage and display structure in accordance with a preferred embodiment of the present invention;

FIG. 4 is a top perspective view of a multi-hinged storage and display structure in accordance with a preferred embodiment of the present invention;

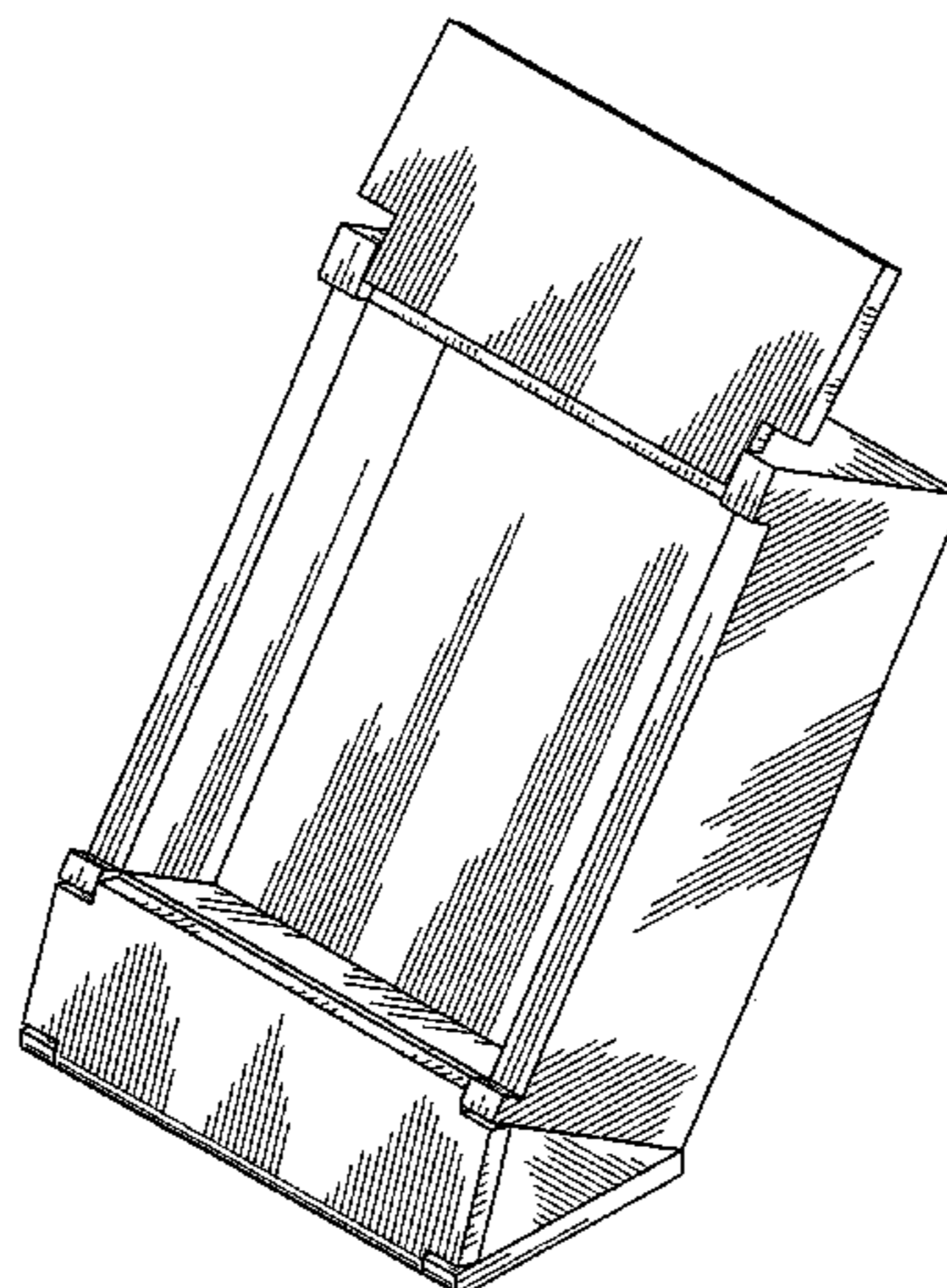
FIG. 5 is a bottom perspective view of a multi-hinged storage and display structure in accordance with a preferred embodiment of the present invention;

FIG. 6 is a right perspective view of a multi-hinged storage and display structure in accordance with a preferred embodiment of the present invention; and

FIG. 7 is a left perspective view of a multi-hinged storage and display structure in accordance with a preferred embodiment of the present invention; and,

FIG. 8 is a side perspective view of a multi-hinged storage and display structure in accordance with a preferred embodiment of the present invention.

1 Claim, 5 Drawing Sheets



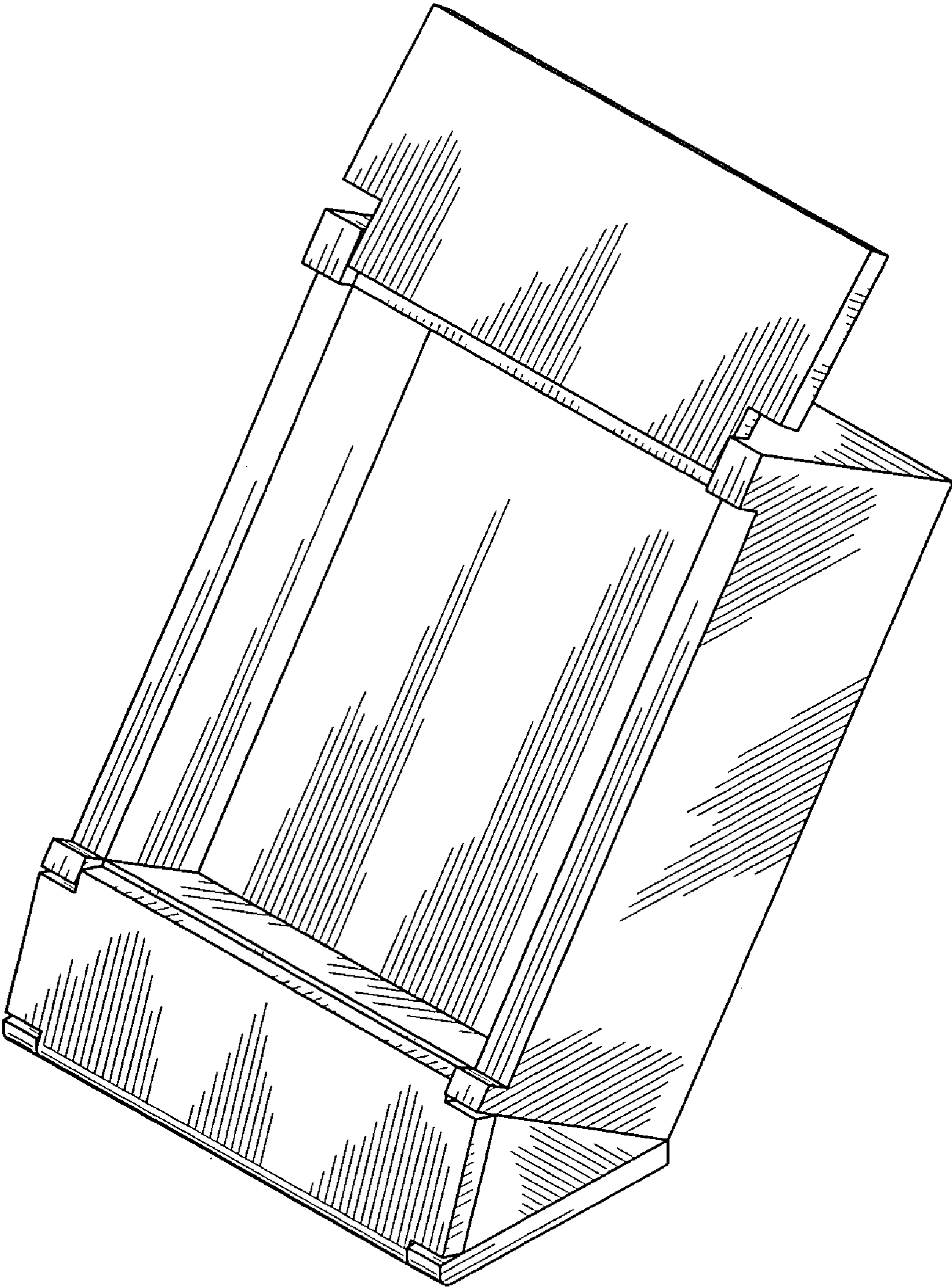


FIG. 1

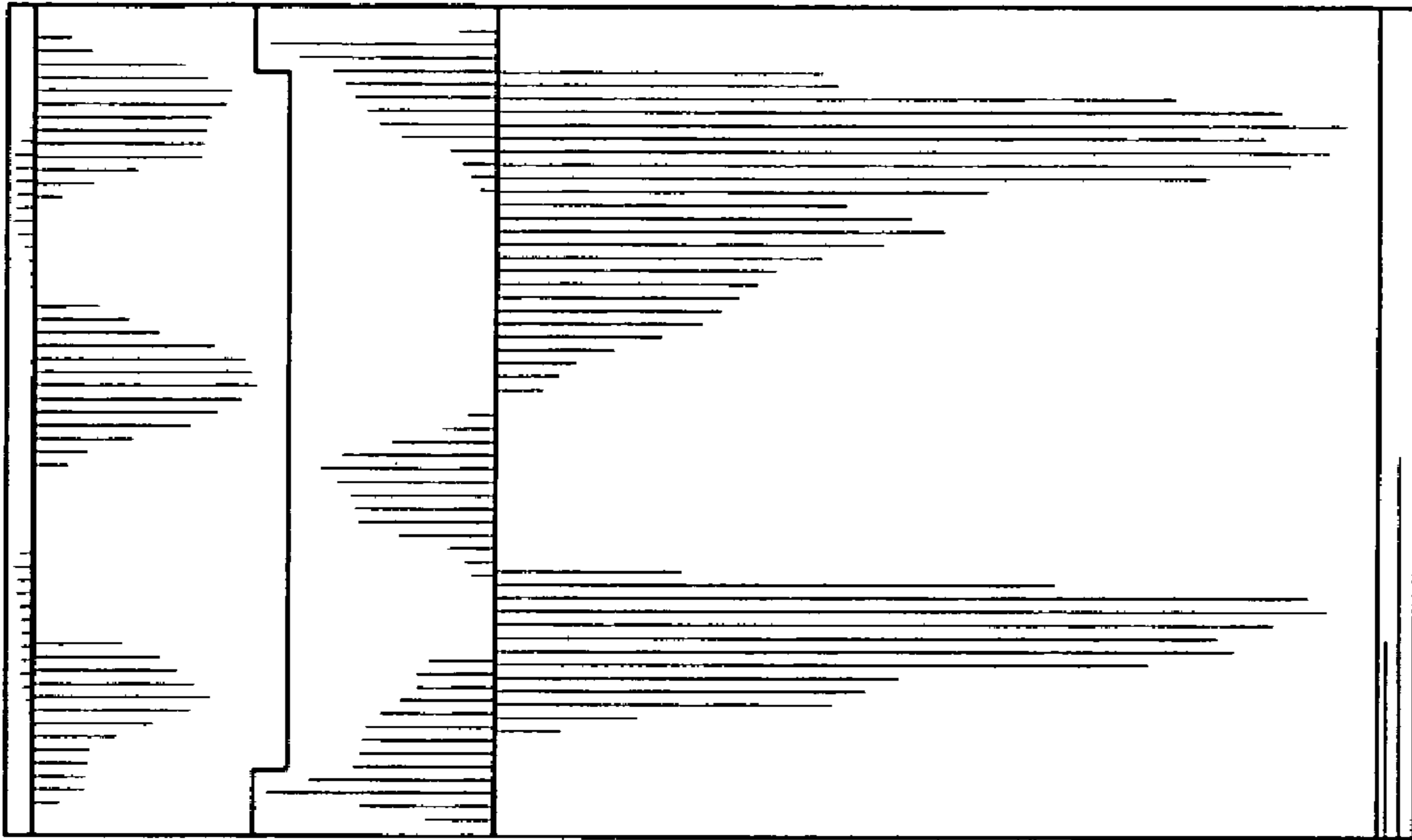


FIG. 3

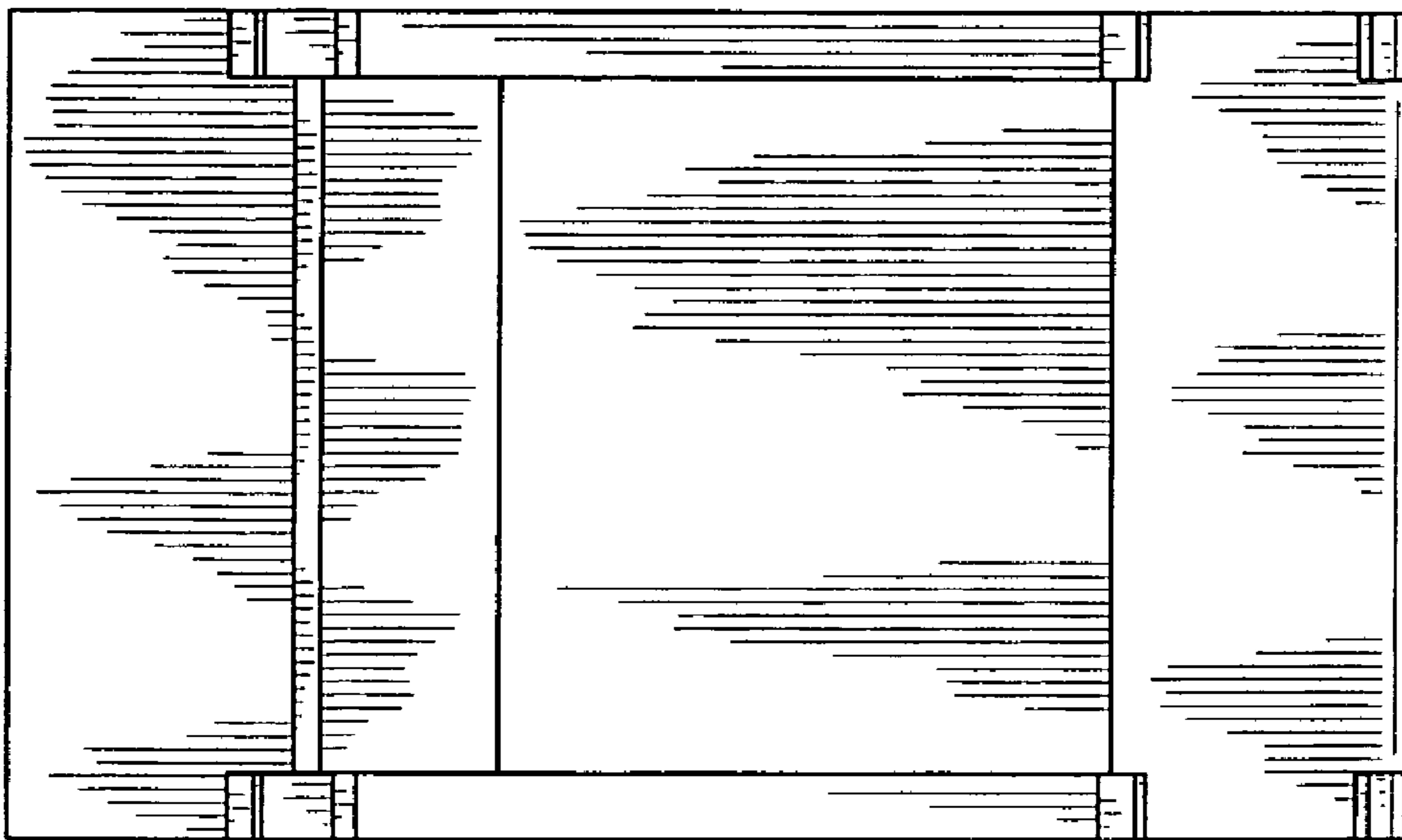


FIG. 2

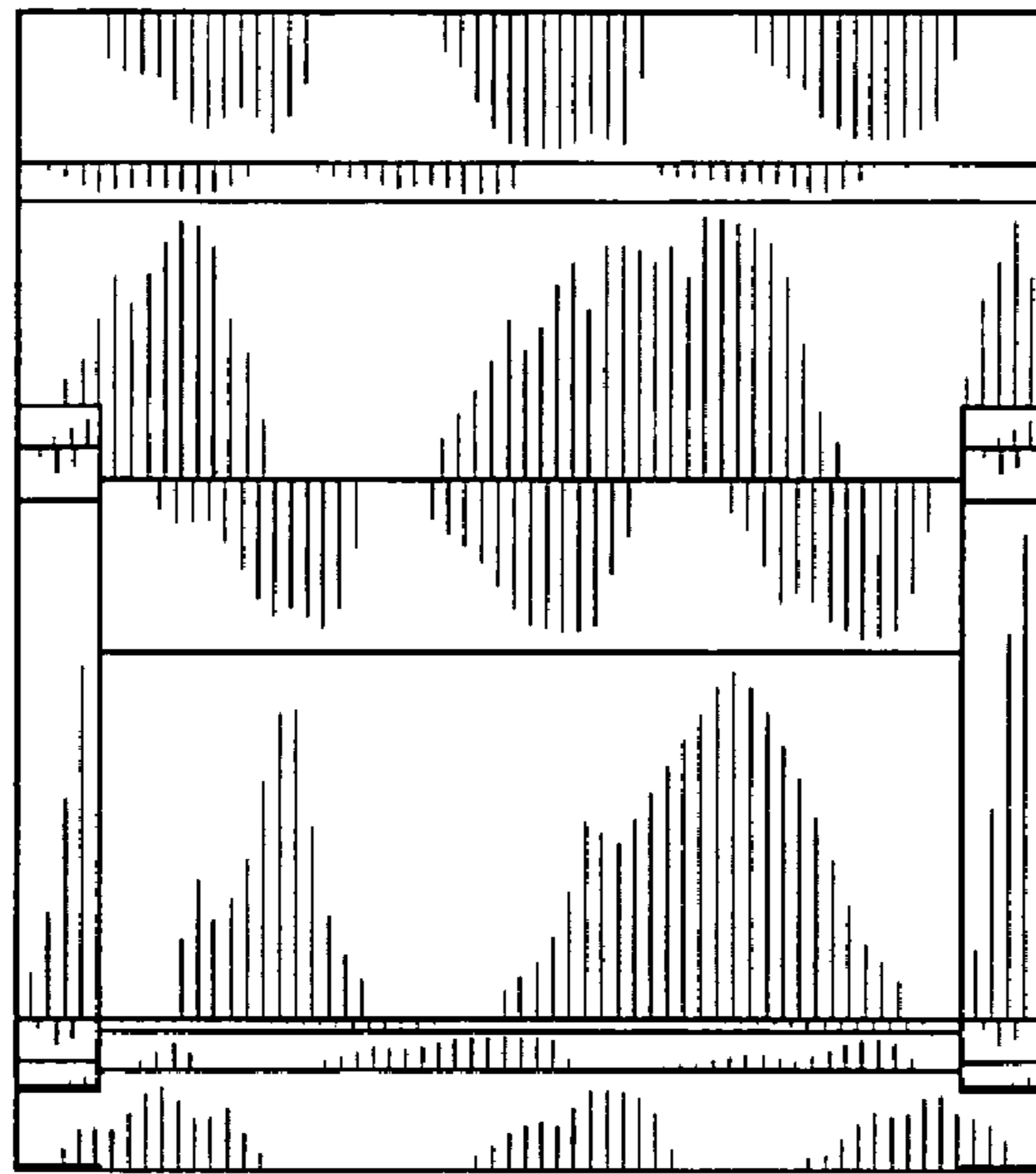


FIG. 4

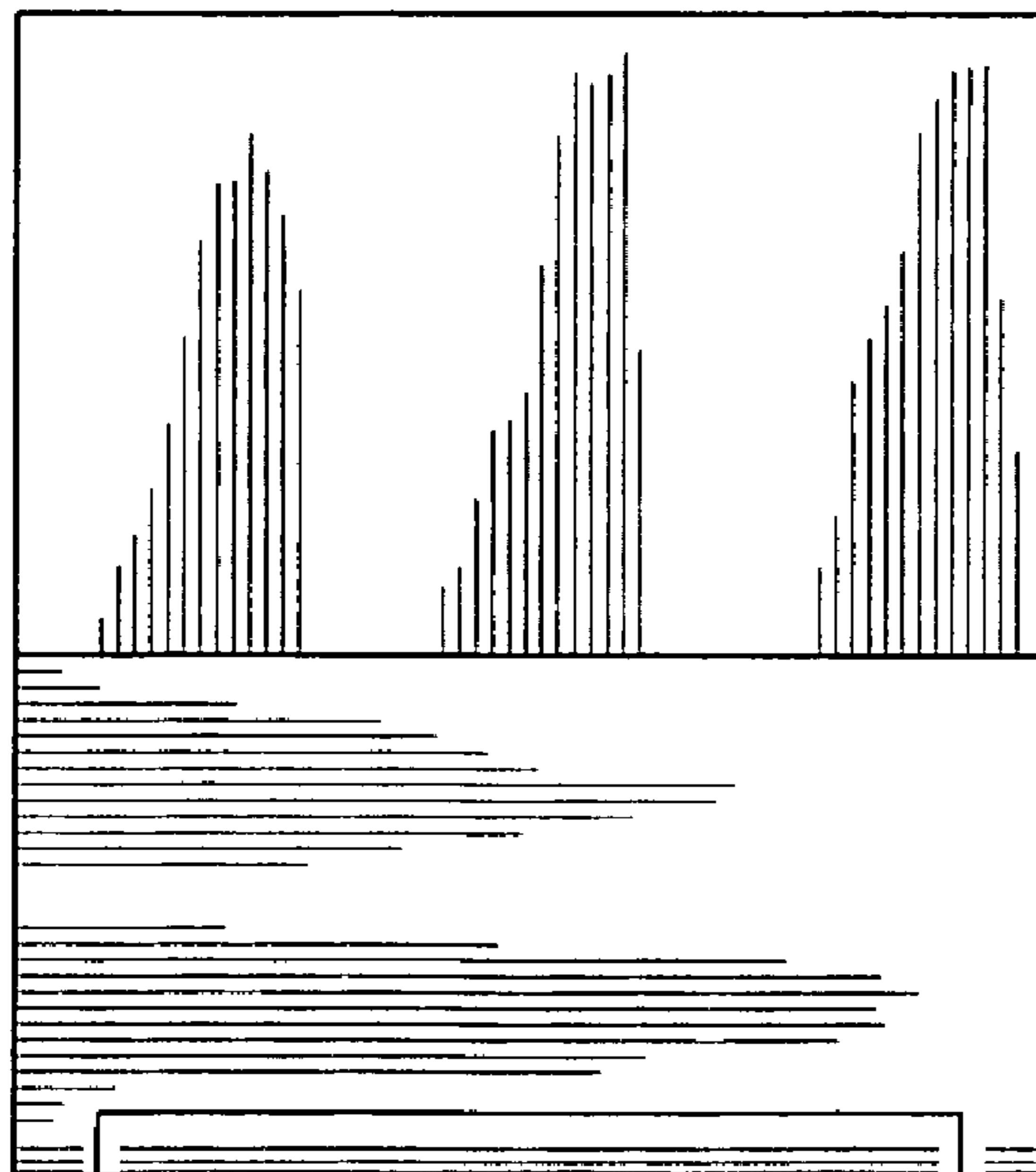


FIG. 5

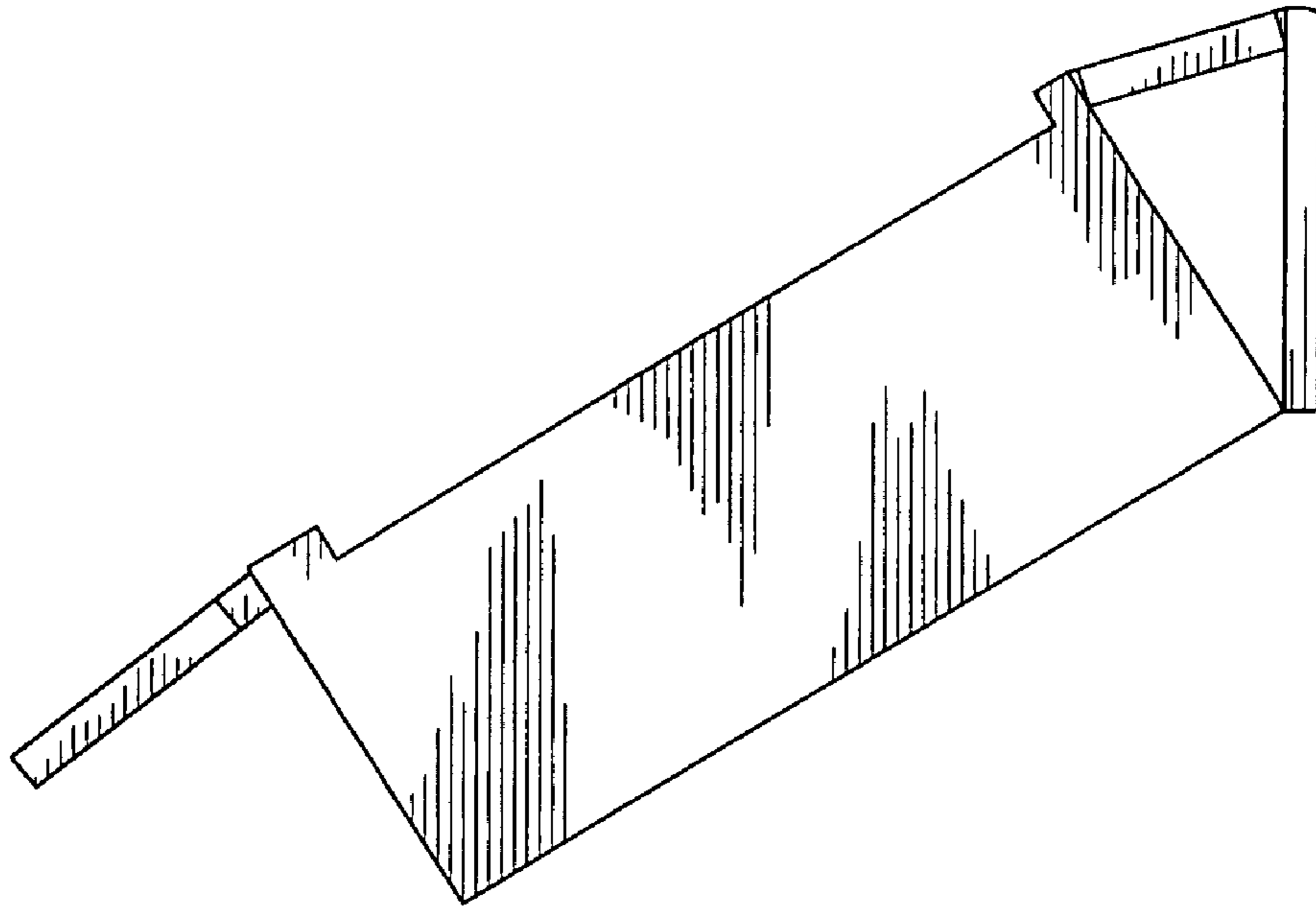


FIG. 7

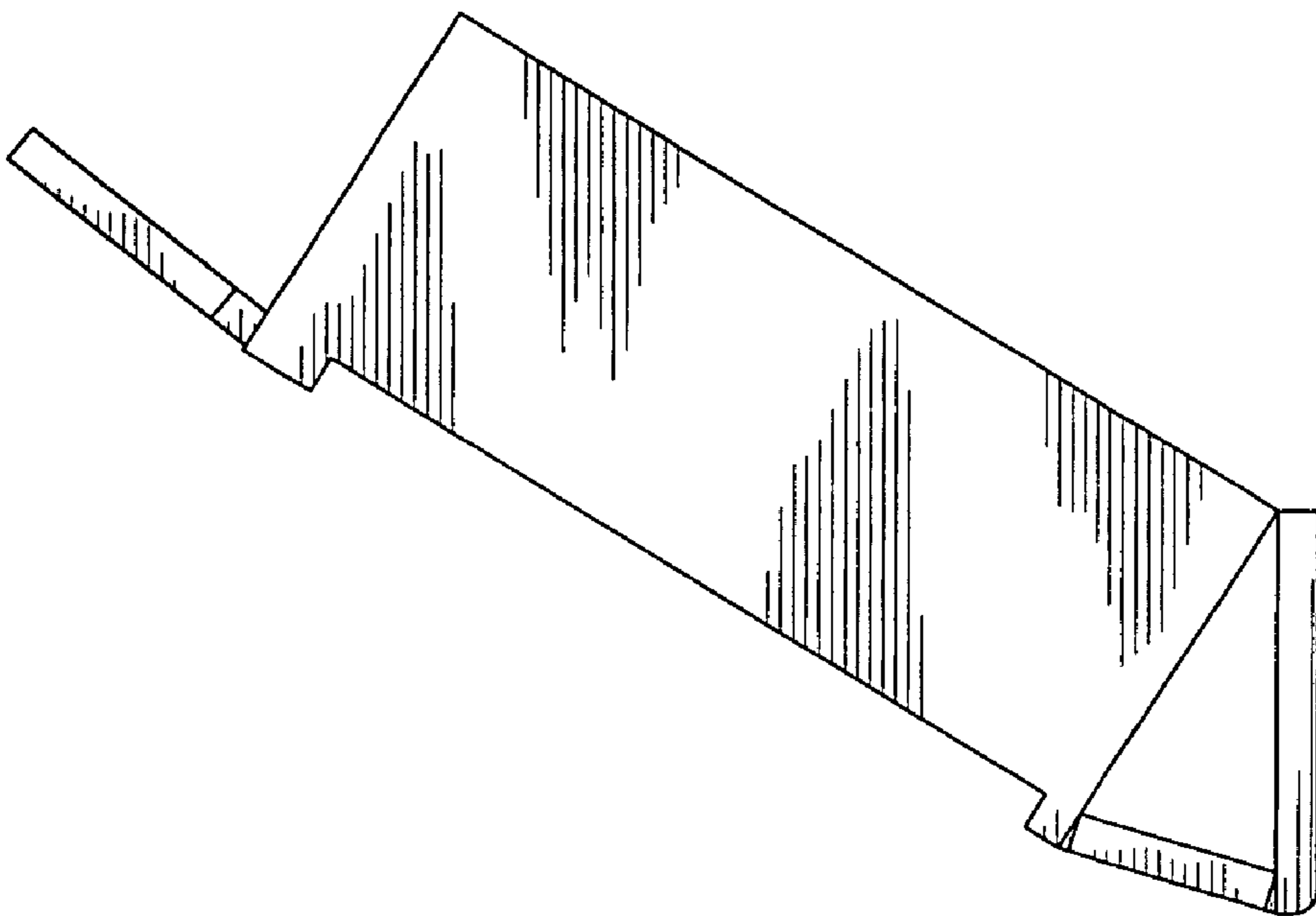


FIG. 6

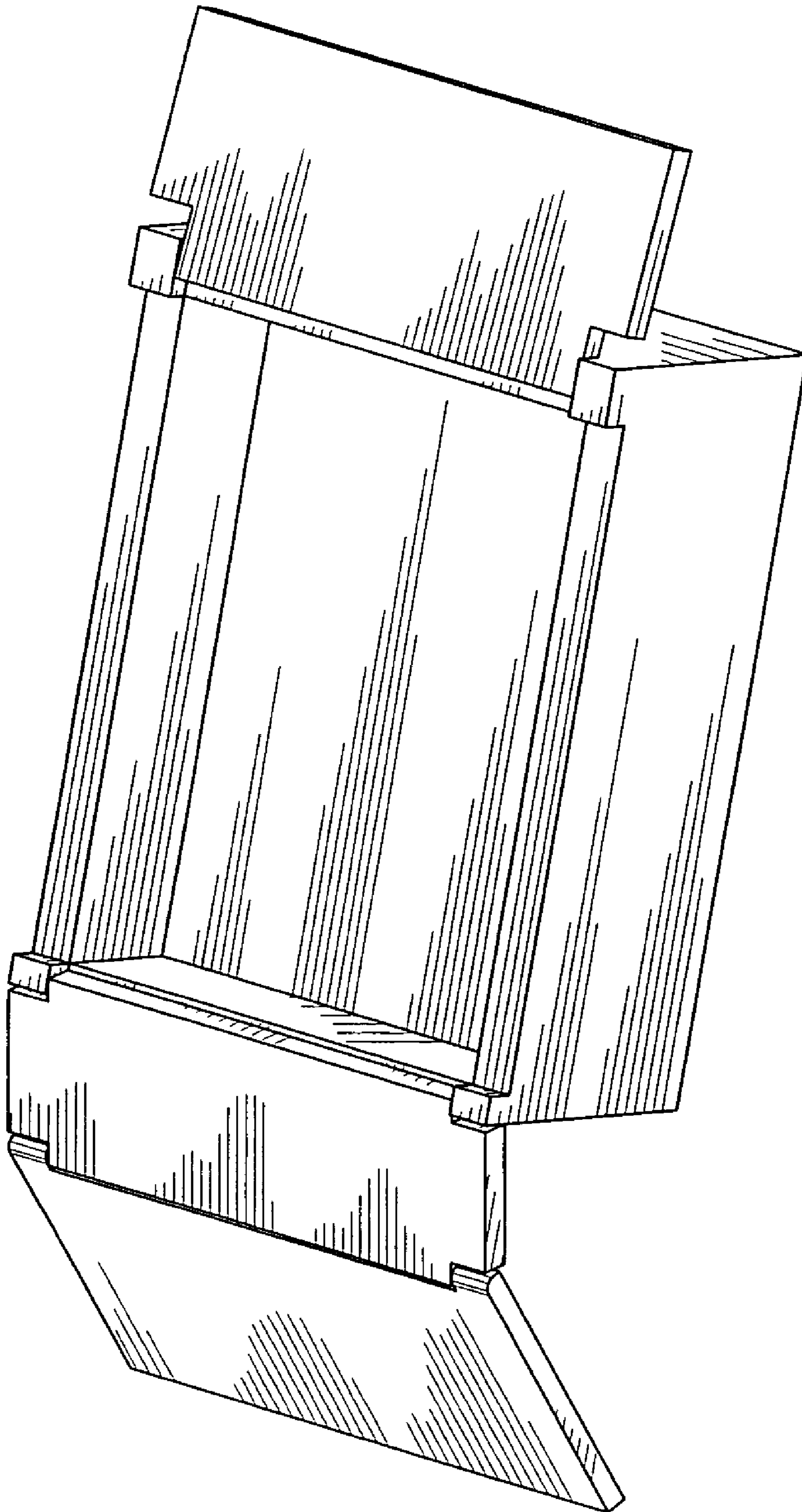


FIG. 8