



US00D549450S

(12) **United States Design Patent**
Campeau

(10) **Patent No.:** **US D549,450 S**

(45) **Date of Patent:** **** Aug. 28, 2007**

(54) **DRYWALL TOOL HOLDER**

(57) **CLAIM**

(76) **Inventor:** **Matt Campeau**, 170 Kelloway Crescent, Red Deer, Alberta (CA) T4P 4E4

I claim the ornamental design for the drywall tool holder, as shown and described.

(**) **Term:** **14 Years**

DESCRIPTION

(21) **Appl. No.:** **29/270,568**

FIG. 1 is a top perspective view of the drywall tool holder of the present design;

(22) **Filed:** **Dec. 28, 2006**

FIG. 2 is a top plan view of the drywall tool holder of the present design.

(51) **LOC (8) Cl.** **03-01**

FIG. 3 is a bottom rear perspective view of the drywall tool holder of the present design;

(52) **U.S. Cl.** **D3/228**

FIG. 4 is a right side elevation view of the drywall tool holder of the present design.

(58) **Field of Classification Search** D3/228,
D3/226, 224, 215; 224/673-674, 666, 677,
224/270

FIG. 5 is a front elevation view of the drywall tool holder of the present design.

See application file for complete search history.

FIG. 6 is a right side elevation view of the drywall tool holder of the present design shown holding a drywall hawk in a cantilevered manner; and,

(56) **References Cited**

U.S. PATENT DOCUMENTS

D489,175 S *	5/2004	Gaita	D3/228
D507,105 S *	7/2005	Armstrong	D3/228
D513,866 S *	1/2006	Goffinet	D3/228
2006/0237508 A1 *	10/2006	Kaplan	224/674
2007/0023471 A1 *	2/2007	Garcia	224/666

FIG. 7 is a right side elevation view of the drywall tool holder of the present design shown worn on a person and holding a drywall hawk in a cantilevered manner, a screw-driver in the holder's snap holder.

The broken line showing of environment in the drawings is included for the purpose of illustrating only and forms no part of the claimed design.

* cited by examiner

Primary Examiner—Catherine R. Oliver

1 Claim, 3 Drawing Sheets

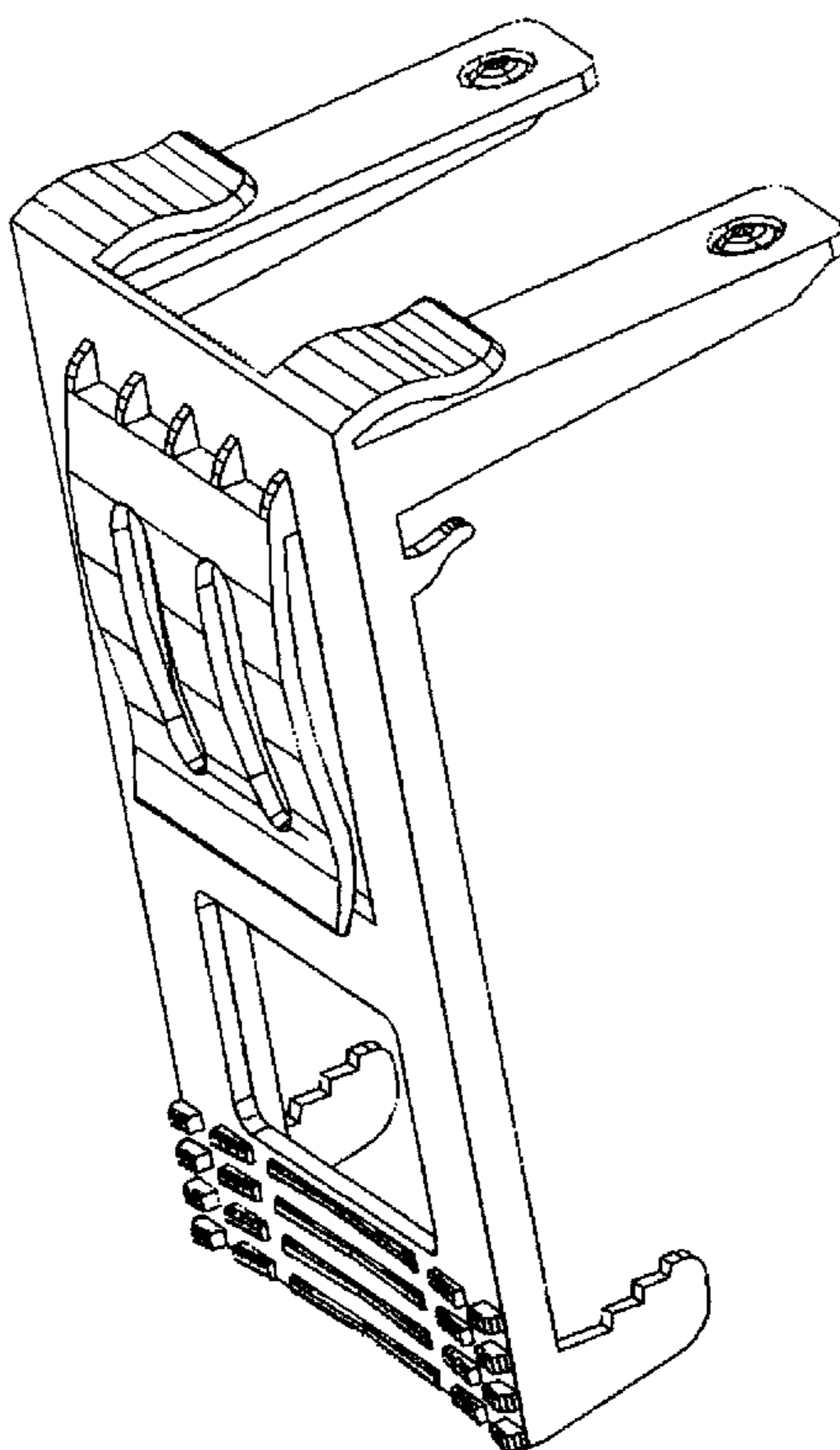


Fig. 1

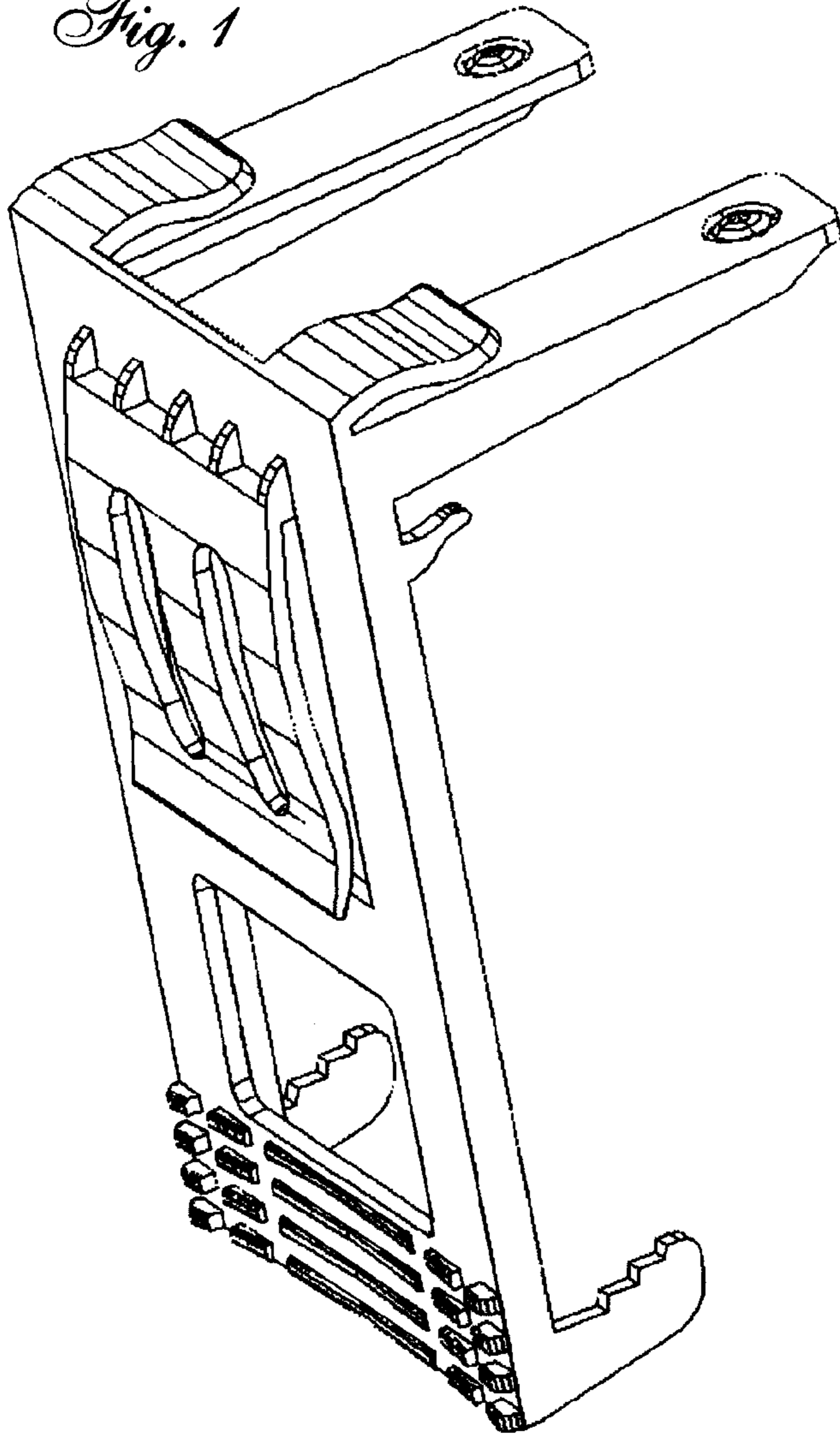


Fig. 2

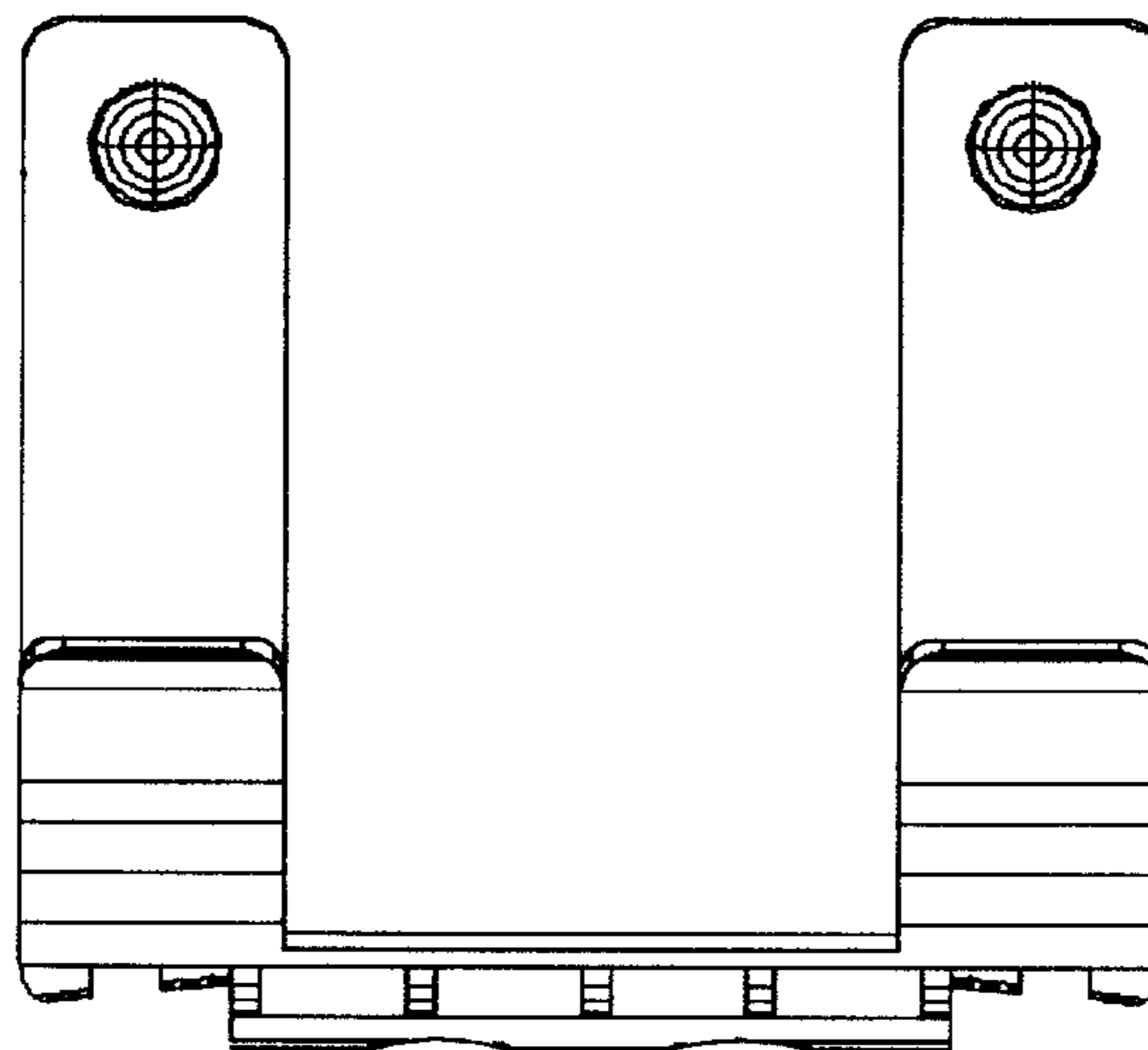


Fig. 3

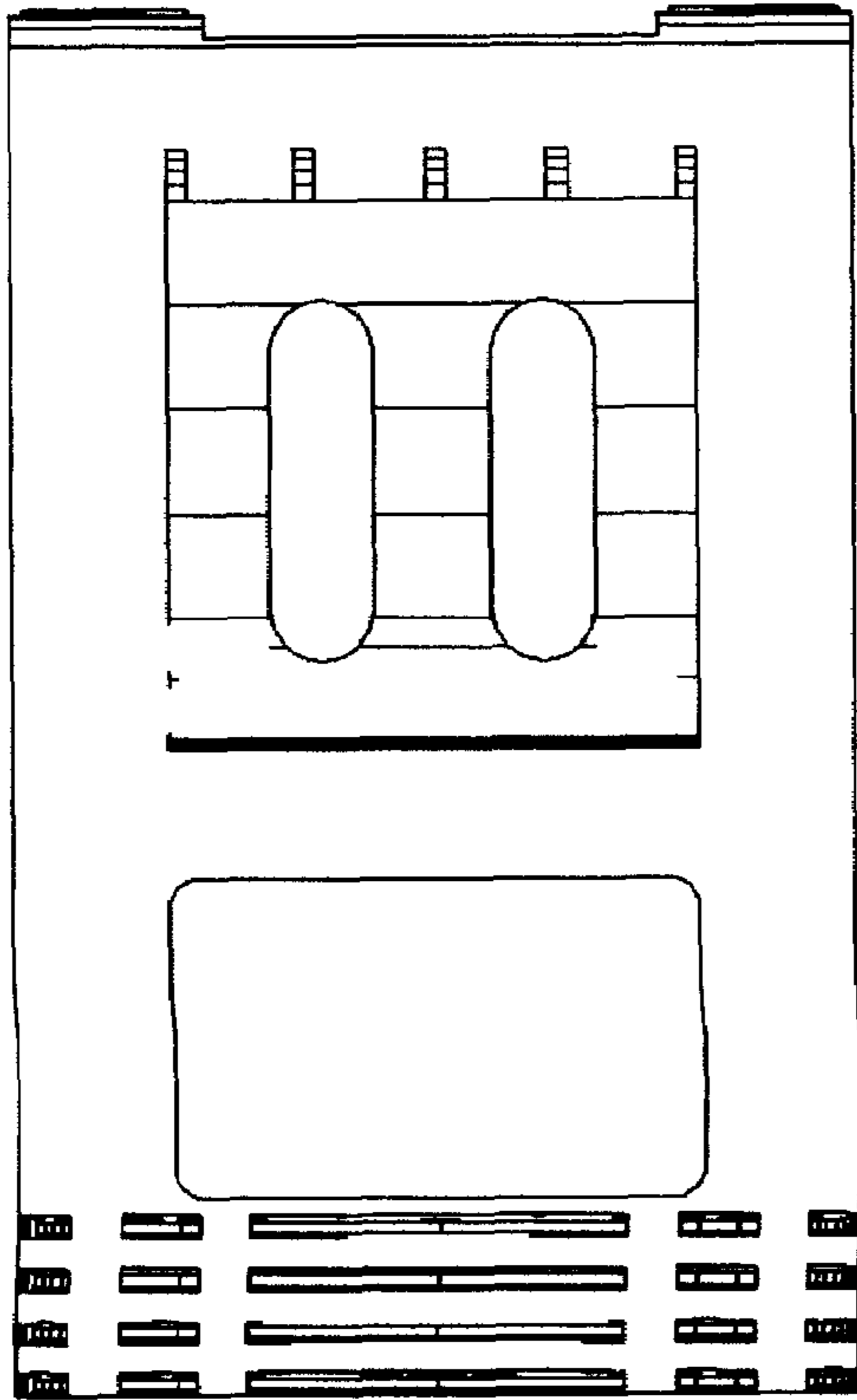


Fig. 4

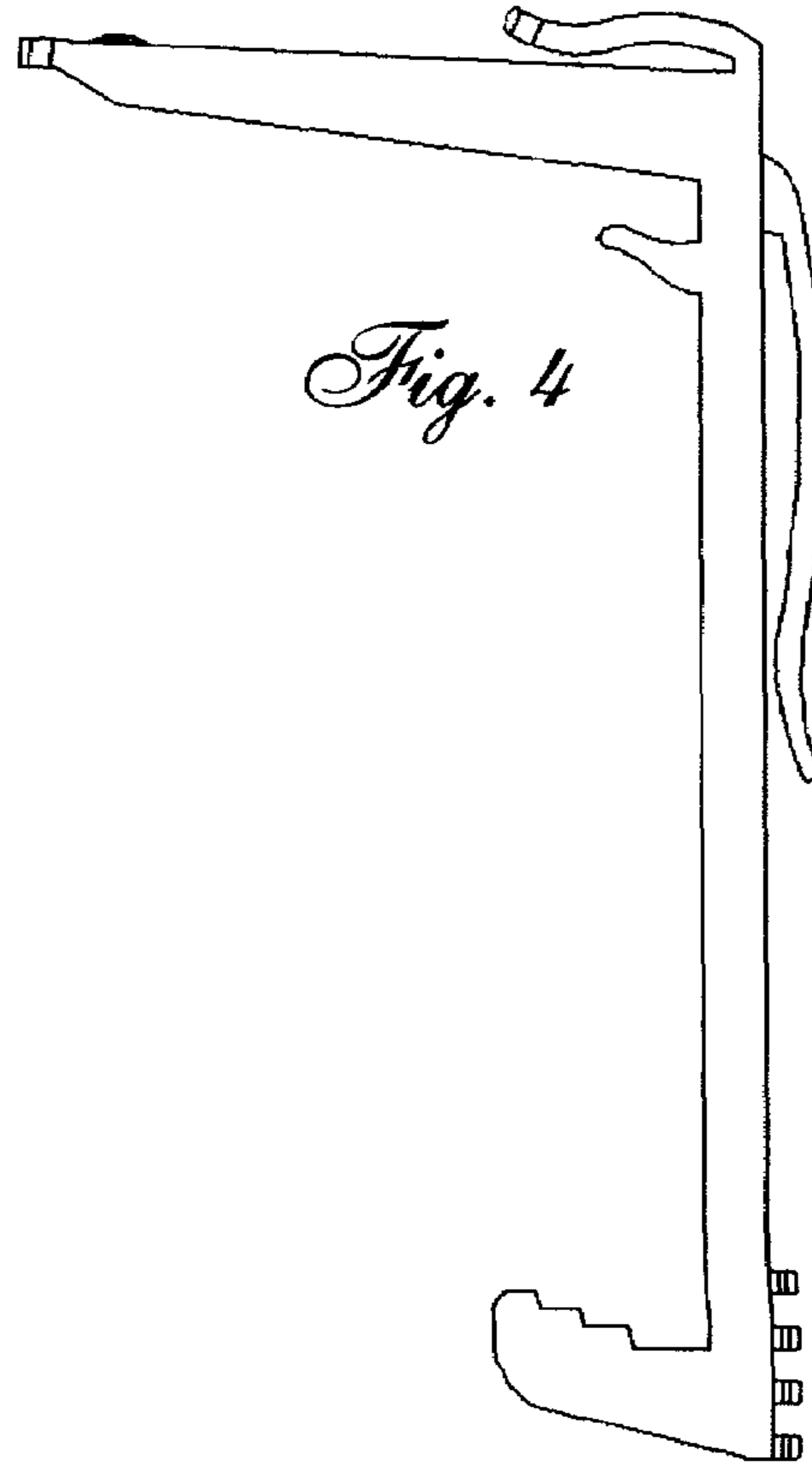


Fig. 5

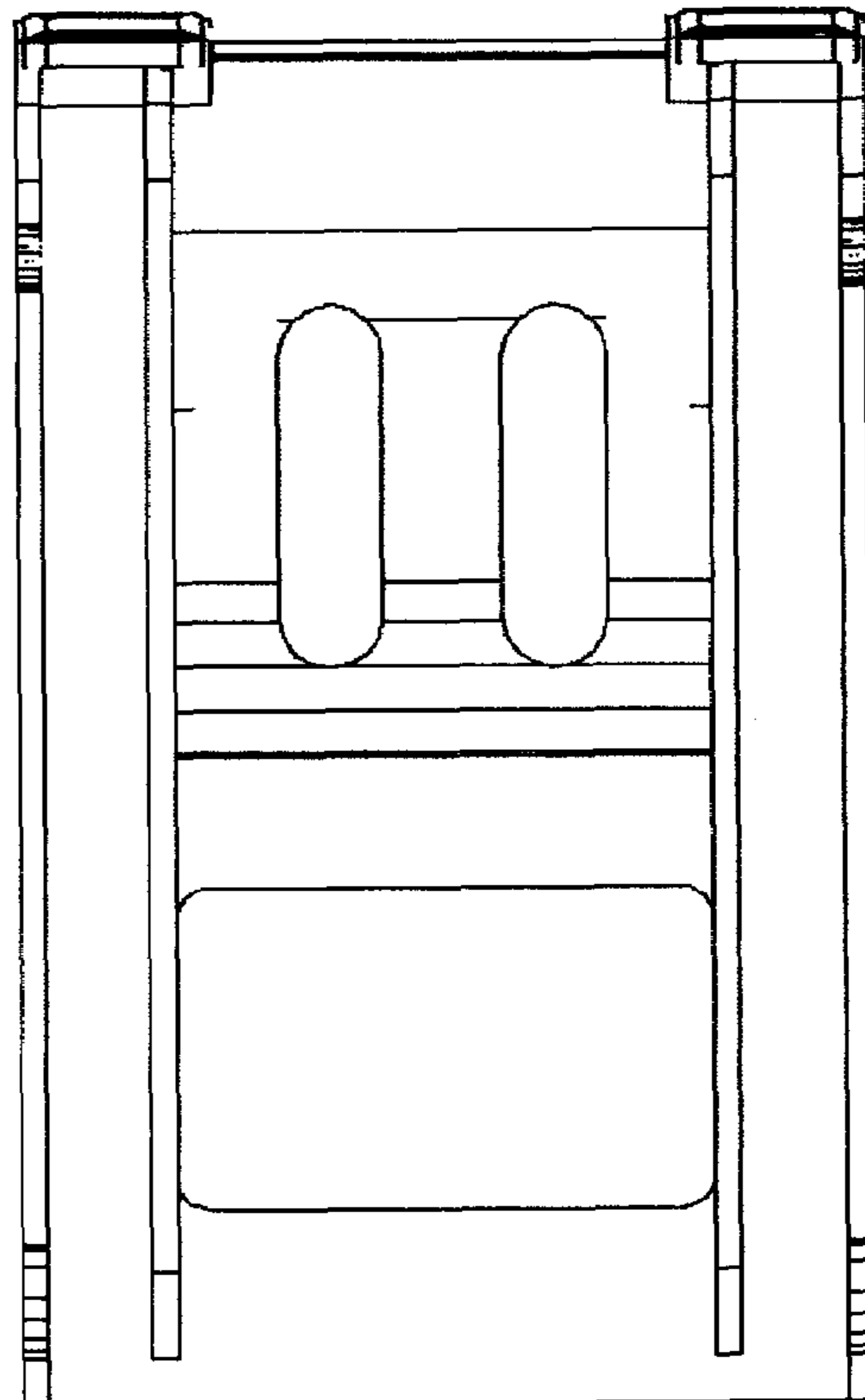


Fig. 6

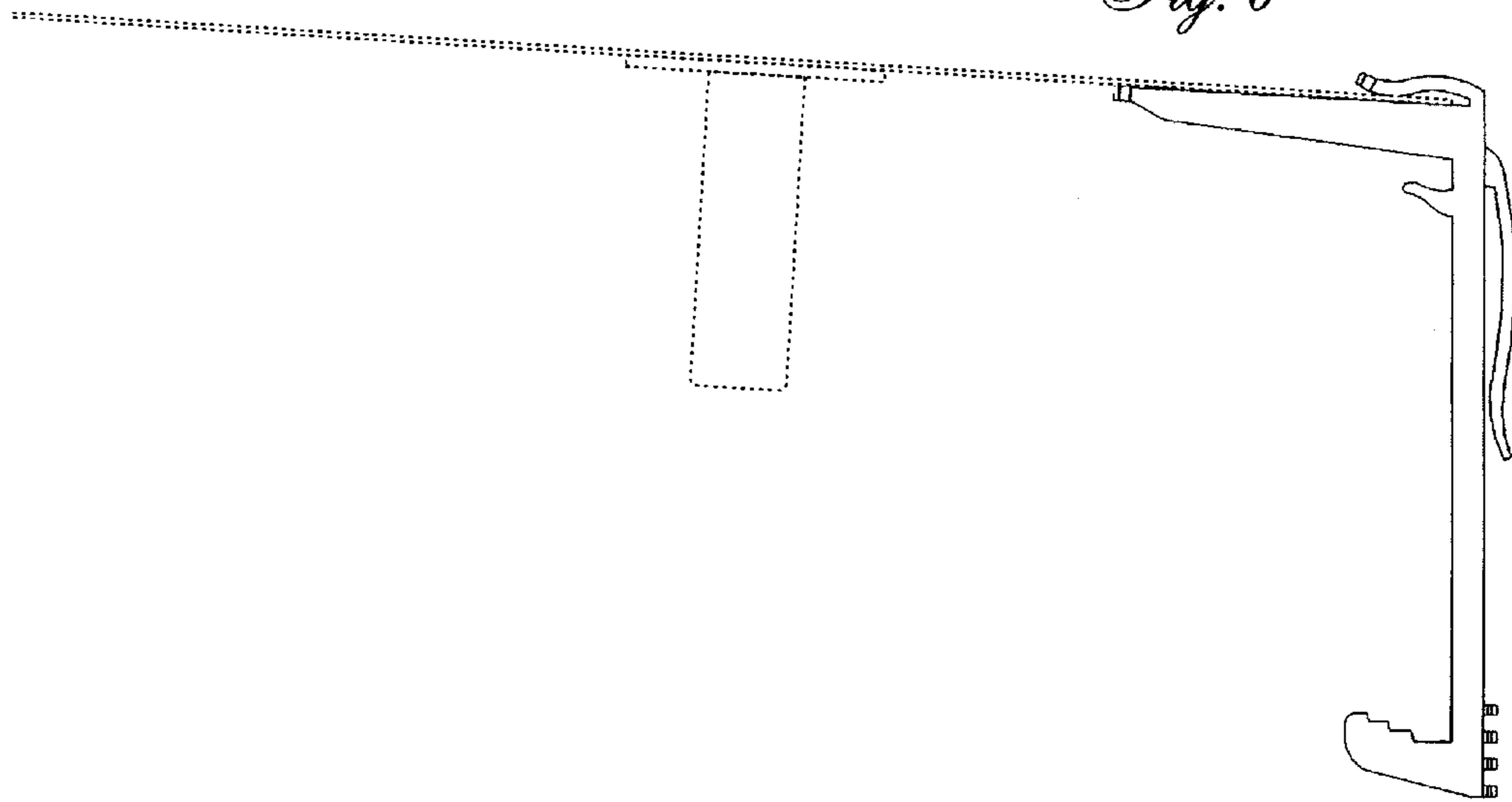


Fig. 7

