



US00D549449S

(12) **United States Design Patent** (10) **Patent No.:** **US D549,449 S**
Malhotra (45) **Date of Patent:** **** Aug. 28, 2007**

(54) **CELL PHONE CASE WITH HEADSET HOLDER**

Primary Examiner—Catherine R. Oliver
(74) *Attorney, Agent, or Firm*—Elliot Furman

(76) Inventor: **Rohit Malhotra**, 95 Stirrup La., Woodbury, NY (US) 11791

(57) **CLAIM**

The ornamental design for a cell phone case with headset holder, as shown and described.

(**) Term: **14 Years**

(21) Appl. No.: **29/248,429**

DESCRIPTION

(22) Filed: **Aug. 16, 2006**

FIG. 1 is a front perspective view of a cell phone case with headset holder.

(51) **LOC (8) Cl.** **03-01**

FIG. 2 is a front view thereof.

(52) **U.S. Cl.** **D3/218**

FIG. 3 is a rear view thereof.

(58) **Field of Classification Search** D3/218, D3/219, 215, 224–228; 224/676–677, 680–681, 224/674–675, 240; 206/320, 305
See application file for complete search history.

FIG. 4 is a left side view thereof.

FIG. 5 is a right side view thereof.

FIG. 6 is a top view thereof.

FIG. 7 is a bottom view thereof.

FIG. 8 is a rear perspective view thereof; and,

FIG. 9 is a front perspective view thereof in an open position.

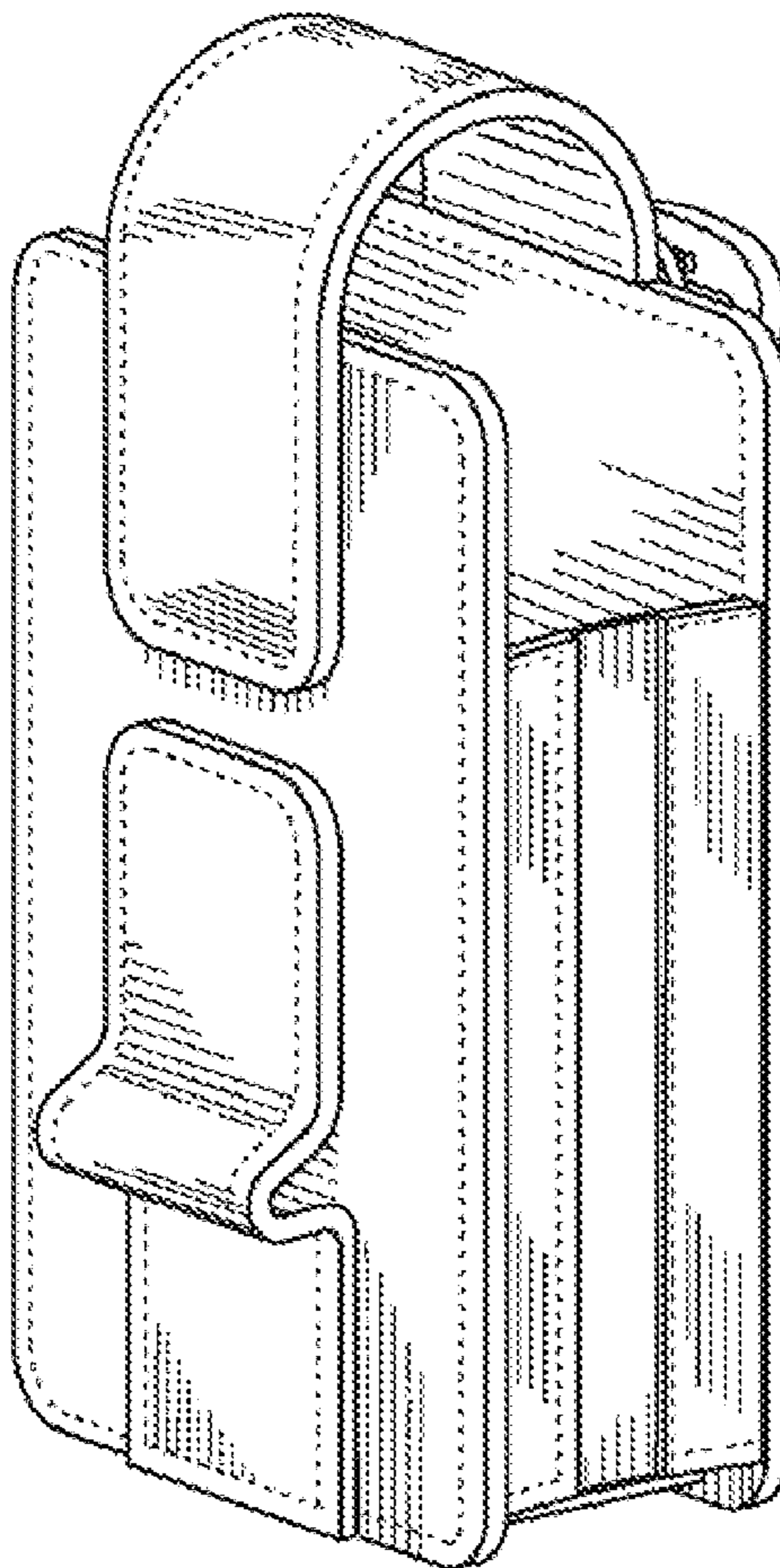
(56) **References Cited**

U.S. PATENT DOCUMENTS

D495,872 S *	9/2004	Patton	D3/218
D495,873 S *	9/2004	Badillo et al.	D3/218
D500,203 S *	12/2004	Kim	D3/218

* cited by examiner

1 Claim, 9 Drawing Sheets



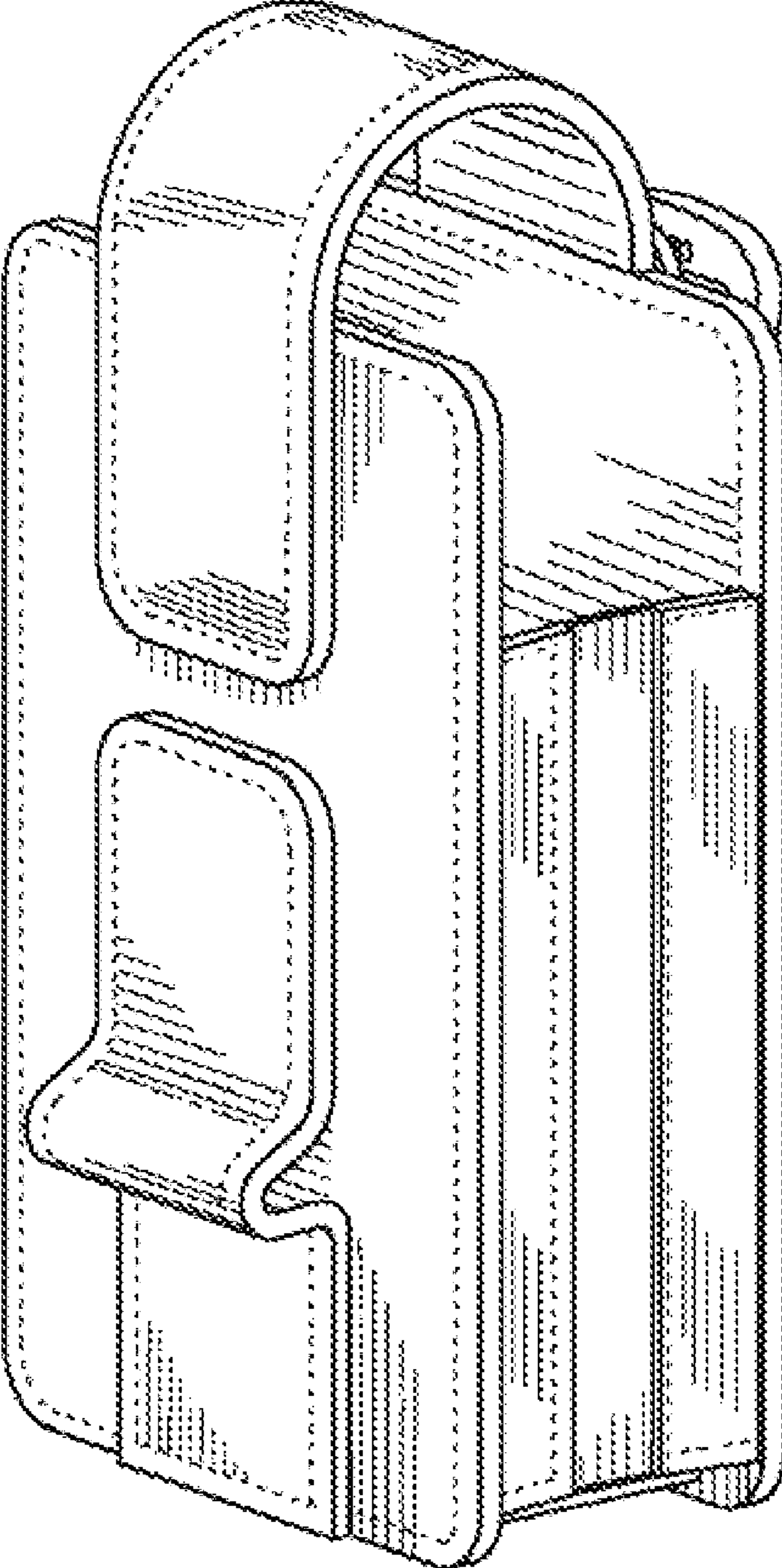


FIG. 1

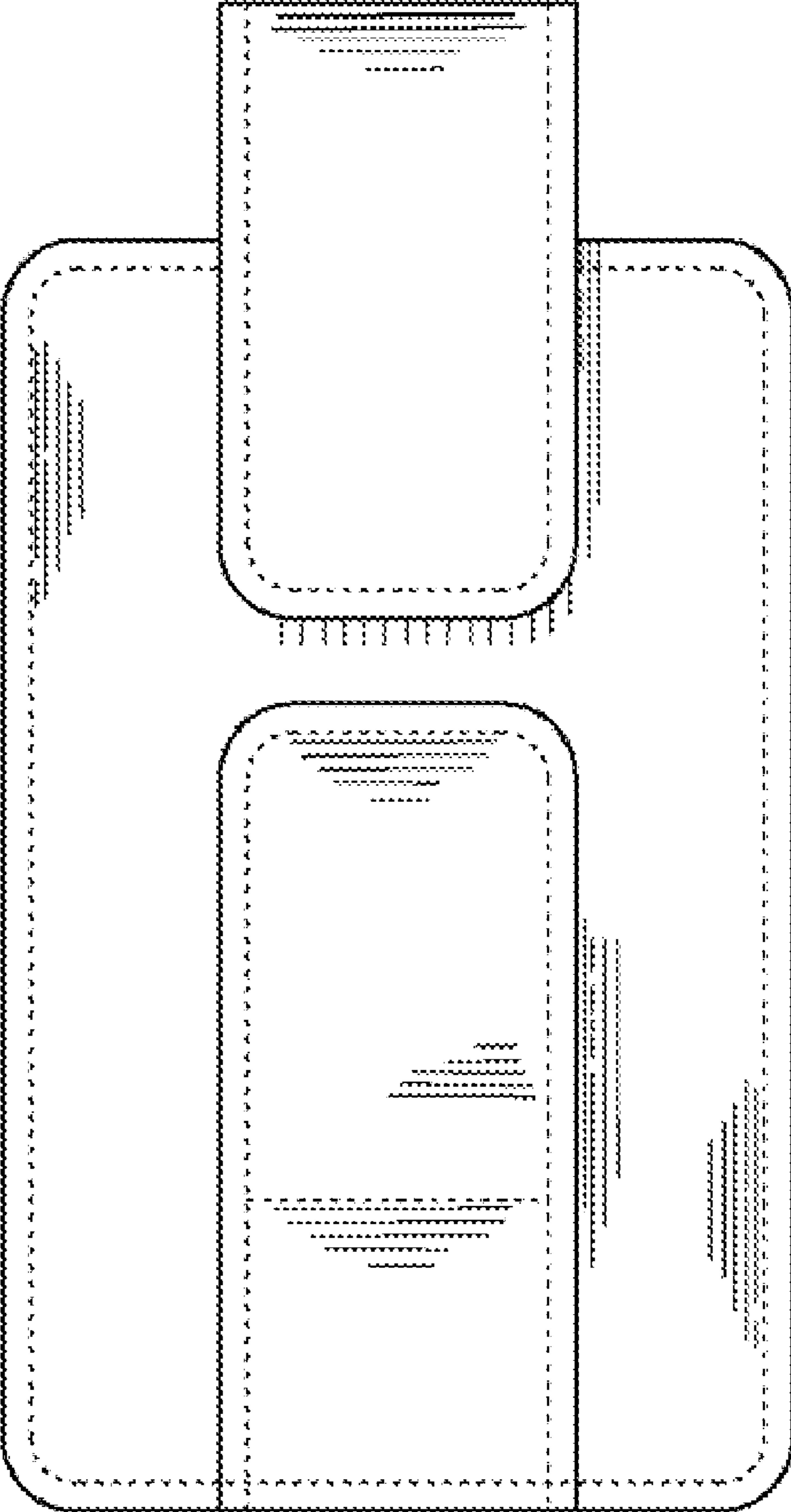


FIG. 2

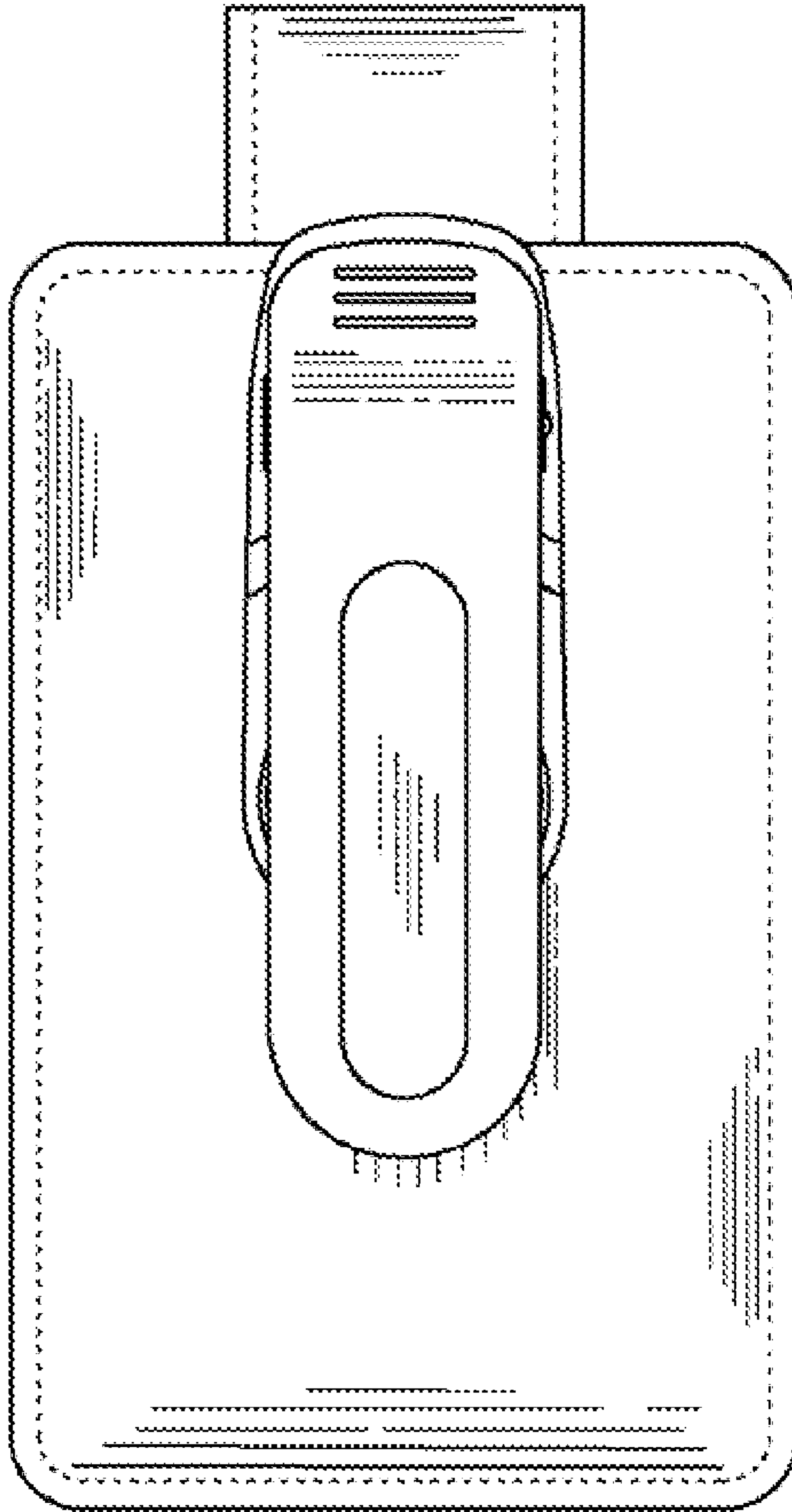


FIG. 3

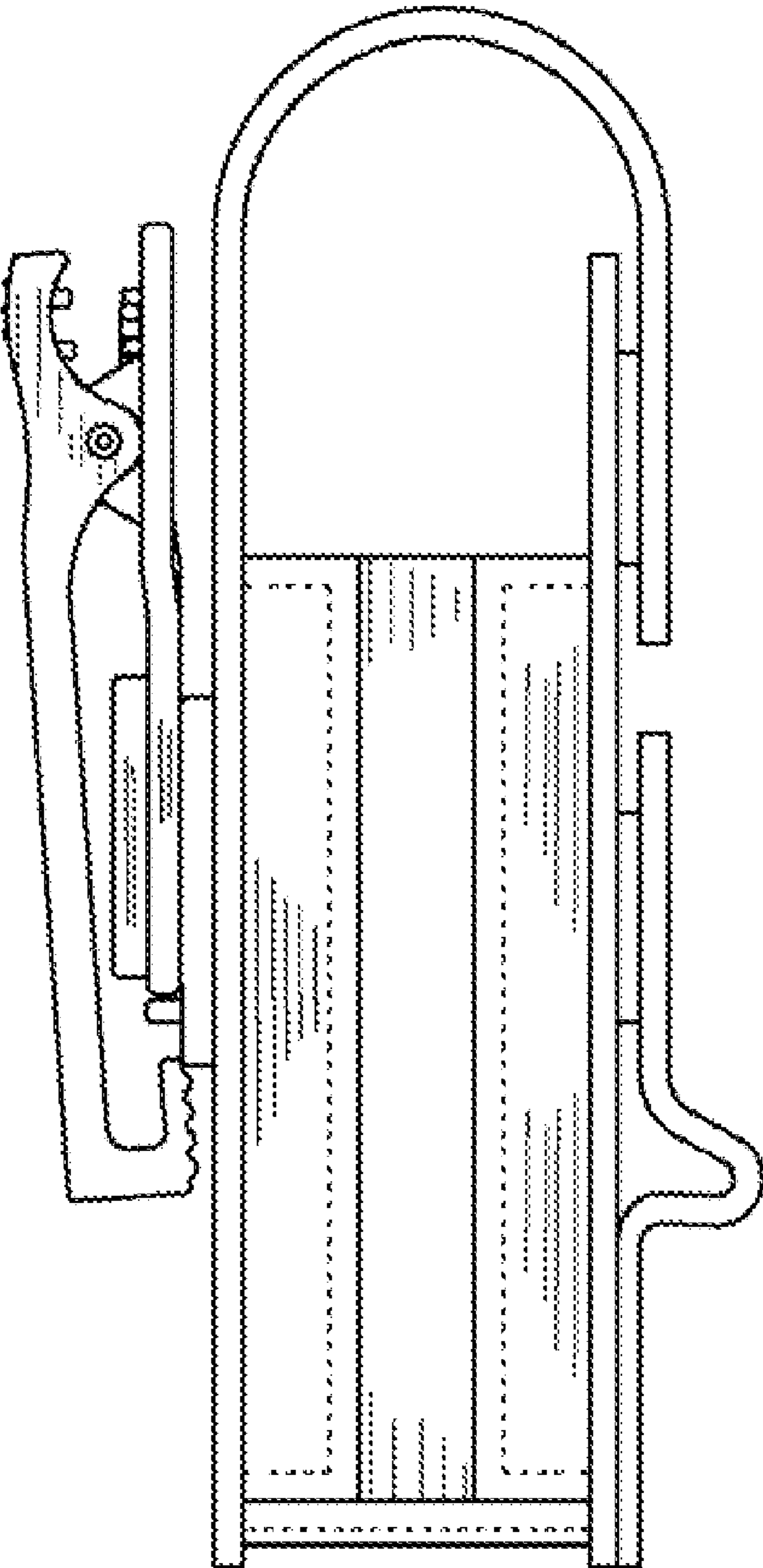


FIG. 4

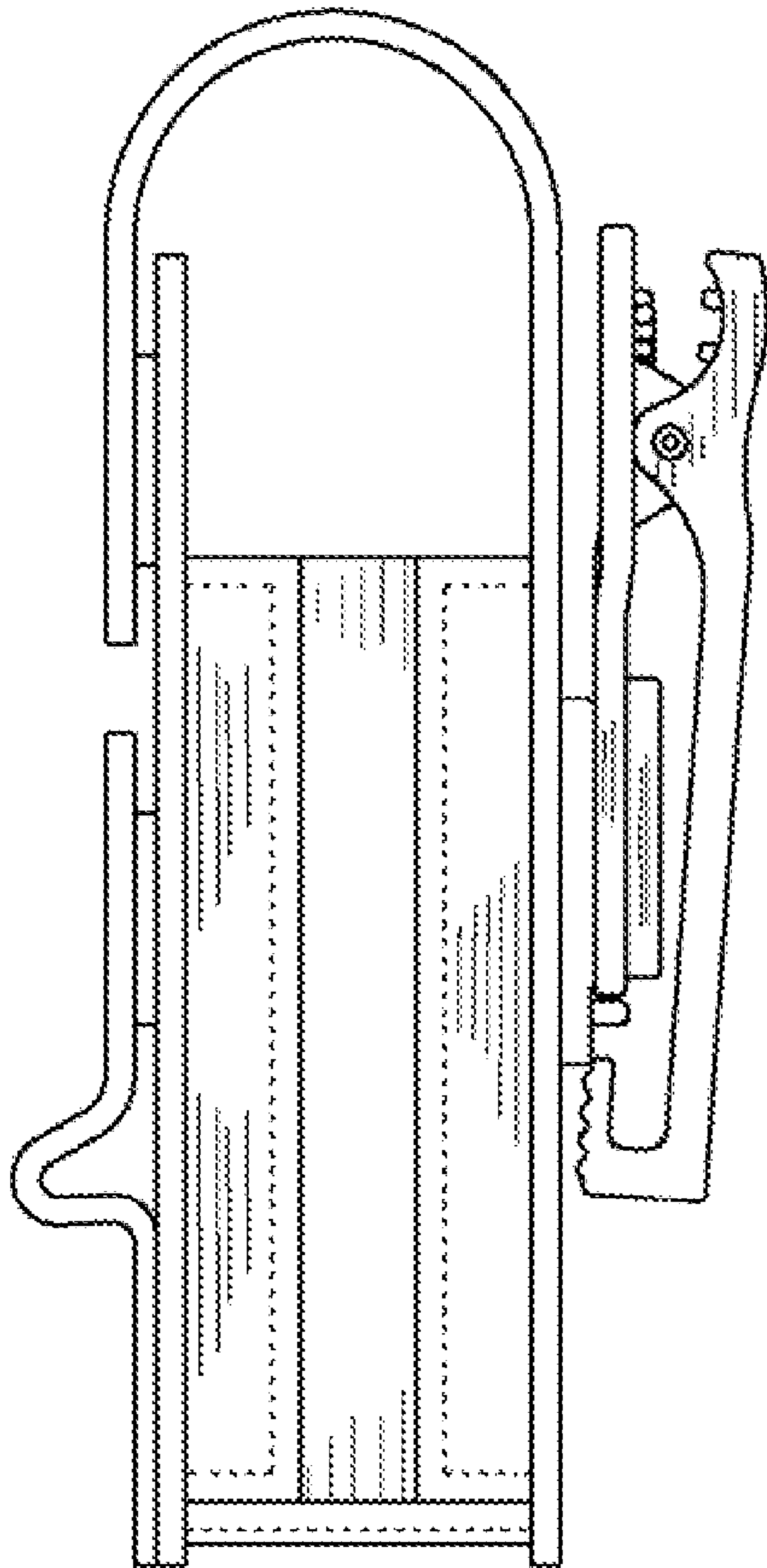


FIG. 5

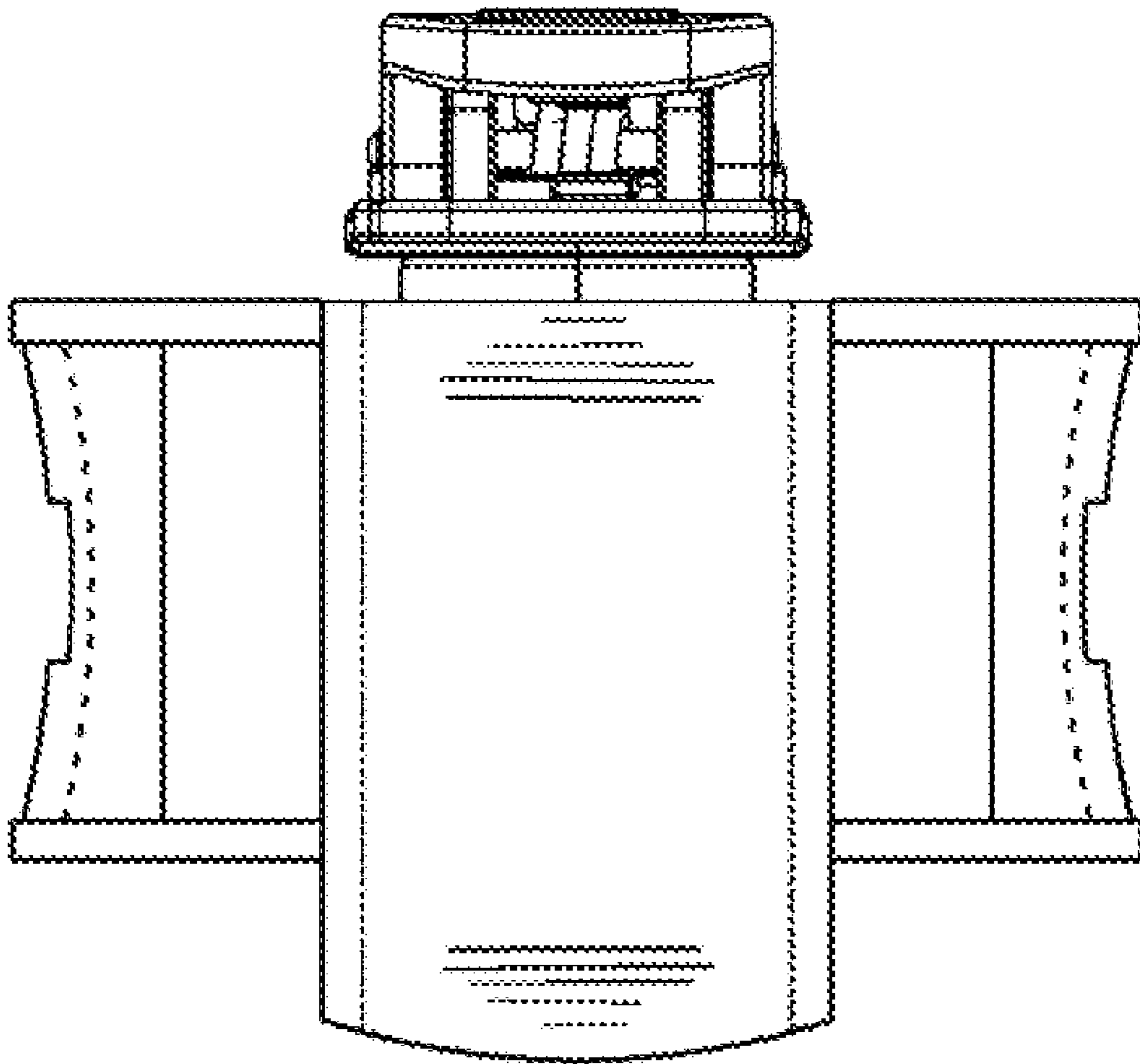


FIG. 6

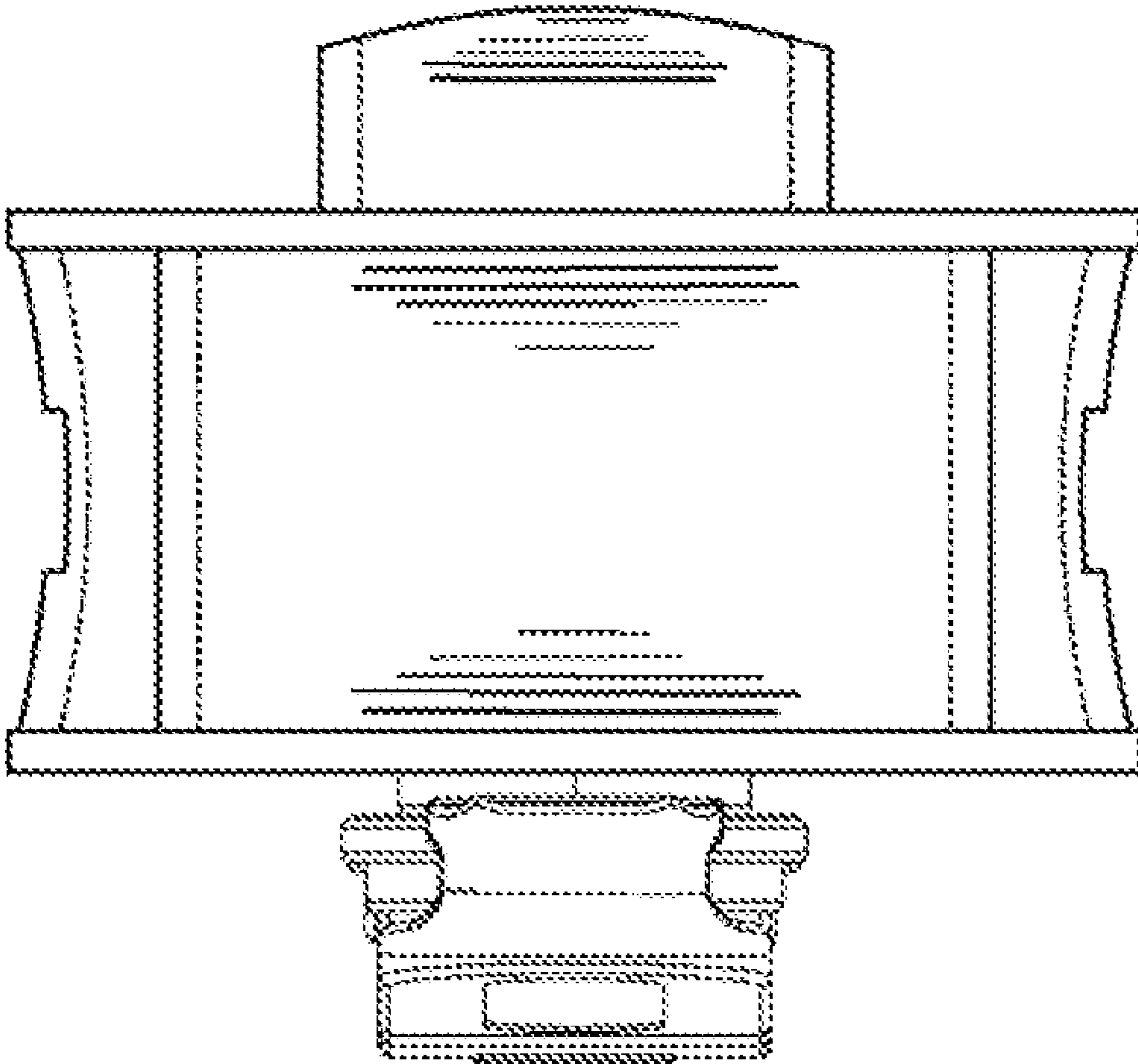


FIG. 7

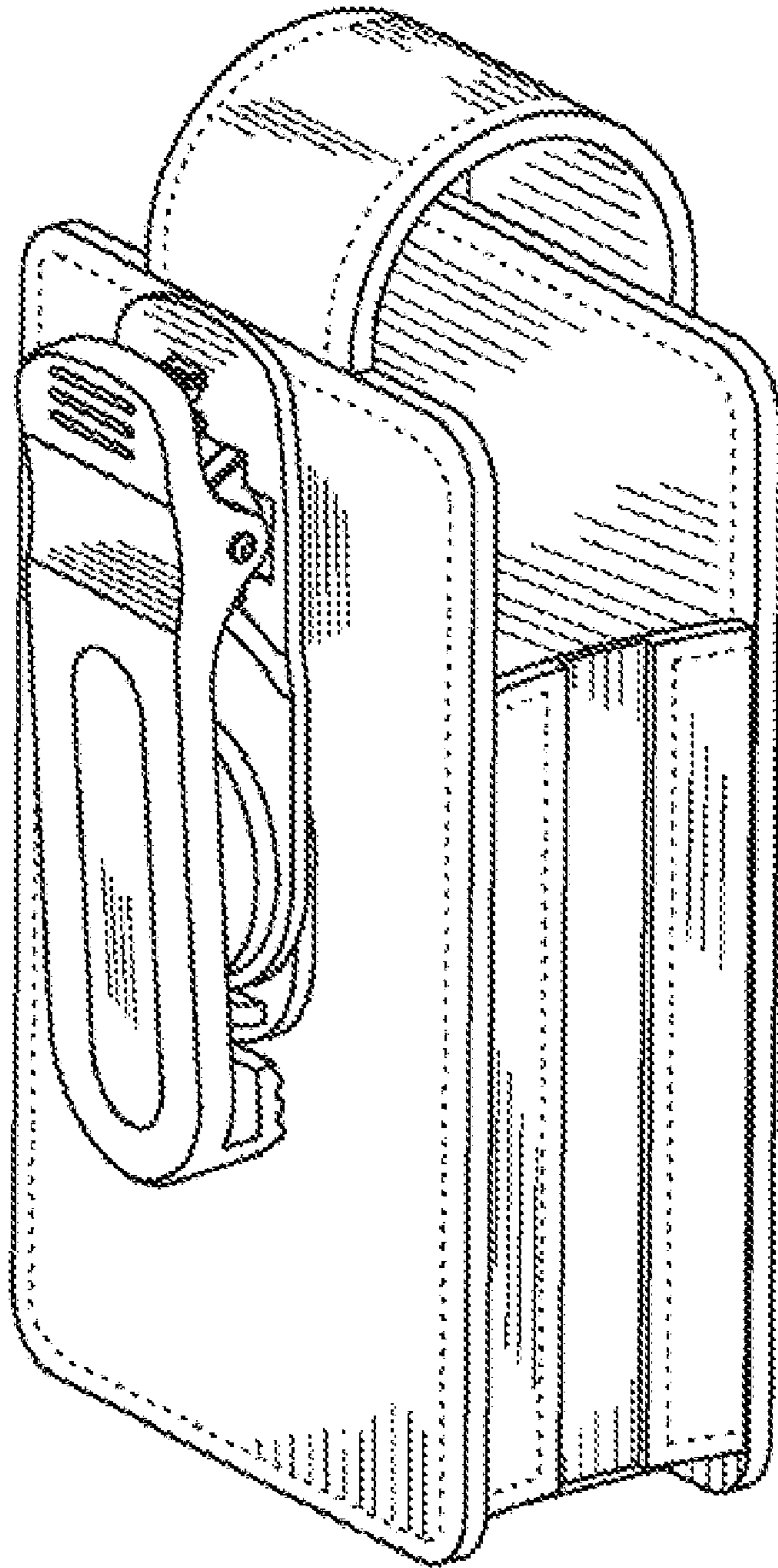


FIG. 8

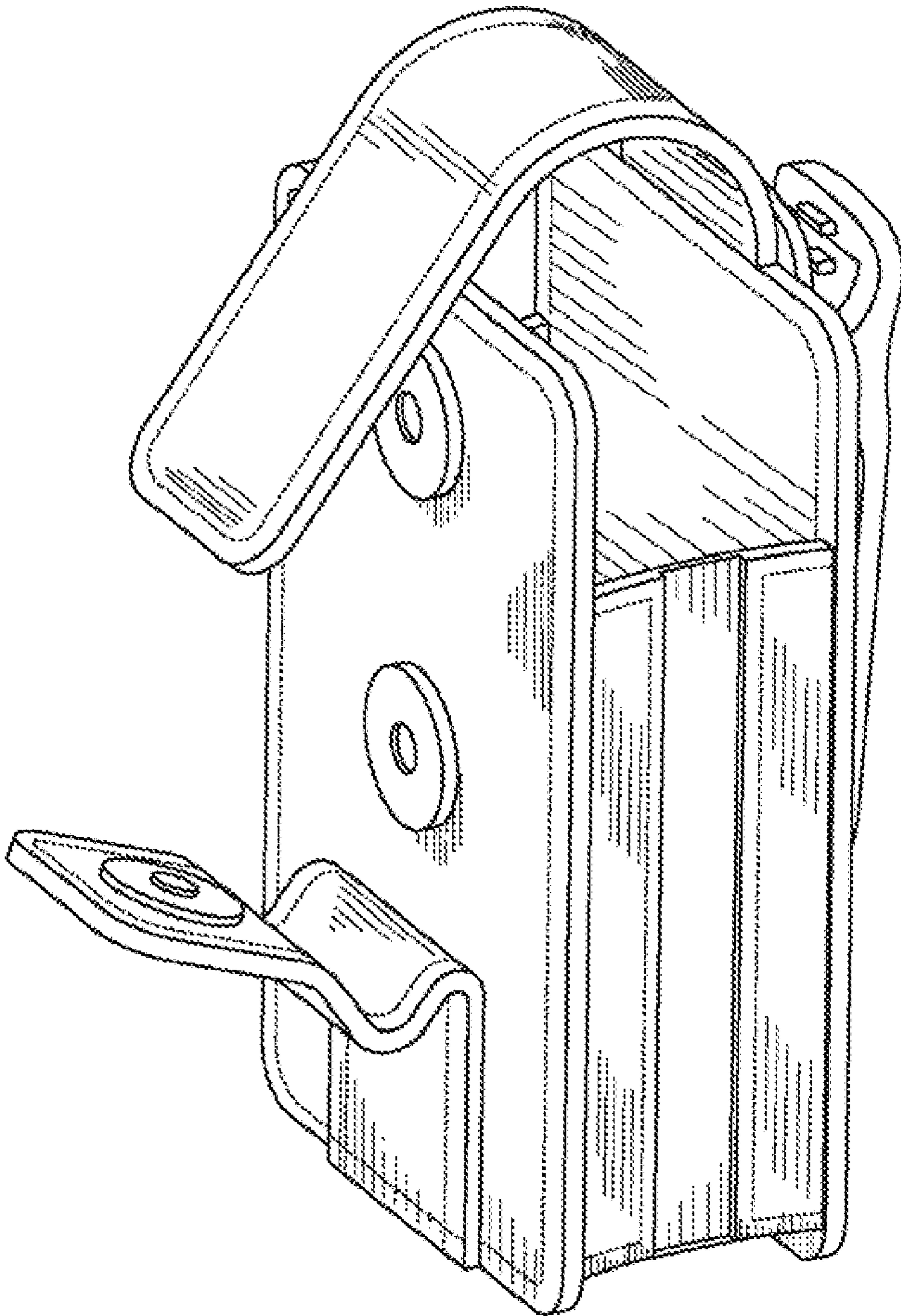


FIG. 9