



US00D549447S

(12) **United States Design Patent**
Perella et al.

(10) **Patent No.:** **US D549,447 S**

(45) **Date of Patent:** **** Aug. 28, 2007**

(54) **STORAGE CONTAINER FOR WRITING IMPLEMENTS**

(75) Inventors: **Daniel Perella**, Hudson, OH (US);
Anthony DeCarlo, Bay Village, OH (US);
Vincent Thomson, Avon Lake, OH (US)

(73) Assignee: **IdeaStream Consumer Products, Inc.**,
Parma, OH (US)

(**) Term: **14 Years**

(21) Appl. No.: **29/270,695**

(22) Filed: **Jan. 3, 2007**

Related U.S. Application Data

(63) Continuation of application No. 29/216,845, filed on
Nov. 10, 2004.

(51) **LOC (8) Cl.** **03-01**

(52) **U.S. Cl.** **D3/206**

(58) **Field of Classification Search** D3/201,
D3/205, 206, 215, 219, 226, 265, 266, 272,
D3/294, 299, 318, 319, 321, 322; 190/109,
190/119, 903; D19/35, 41, 59, 75, 77, 82,
D19/83, 85; D21/483, 596; 206/1.7, 37,
206/38, 45.2, 214, 215, 216, 223, 224, 252,
206/371, 379, 425, 457, 523, 575, 746; 211/69.1,
211/69.5, 168; 220/528, 816, 836; 224/230;
248/454, 456

See application file for complete search history.

(56) **References Cited**

U.S. PATENT DOCUMENTS

792,731 A * 6/1905 Romunder D3/272

(Continued)

Primary Examiner—Louis S. Zarfes

Assistant Examiner—Monica A. Weingart

(74) *Attorney, Agent, or Firm*—Pillsbury Winthrop Shaw
Pittman LLP

(57) **CLAIM**

The ornamental design for a storage container for writing implements, as shown and described.

DESCRIPTION

FIG. 1 is a perspective view of a storage container for writing implements embodying one aspect of our new design;

FIG. 2 is a front elevational view of the storage container for writing implements of FIG. 1;

FIG. 3 is a rear elevational view of the storage container for writing implements of FIG. 1;

FIG. 4 is a left side profile view of the storage container for writing implements of FIG. 1;

FIG. 5 is a right side profile view of the storage container for writing implements of FIG. 1;

FIG. 6 is a top plan view of the storage container for writing implements of FIG. 1;

FIG. 7 is a bottom plan view of the storage container for writing implements of FIG. 1;

FIG. 8 is a perspective view of a storage container for writing implements embodying another aspect of our new design;

FIG. 9 is a front elevational view of the storage container for writing implements of FIG. 8;

FIG. 10 is a rear elevational view of the storage container for writing implements of FIG. 8;

FIG. 11 is a left side profile view of the storage container for writing implements of FIG. 8;

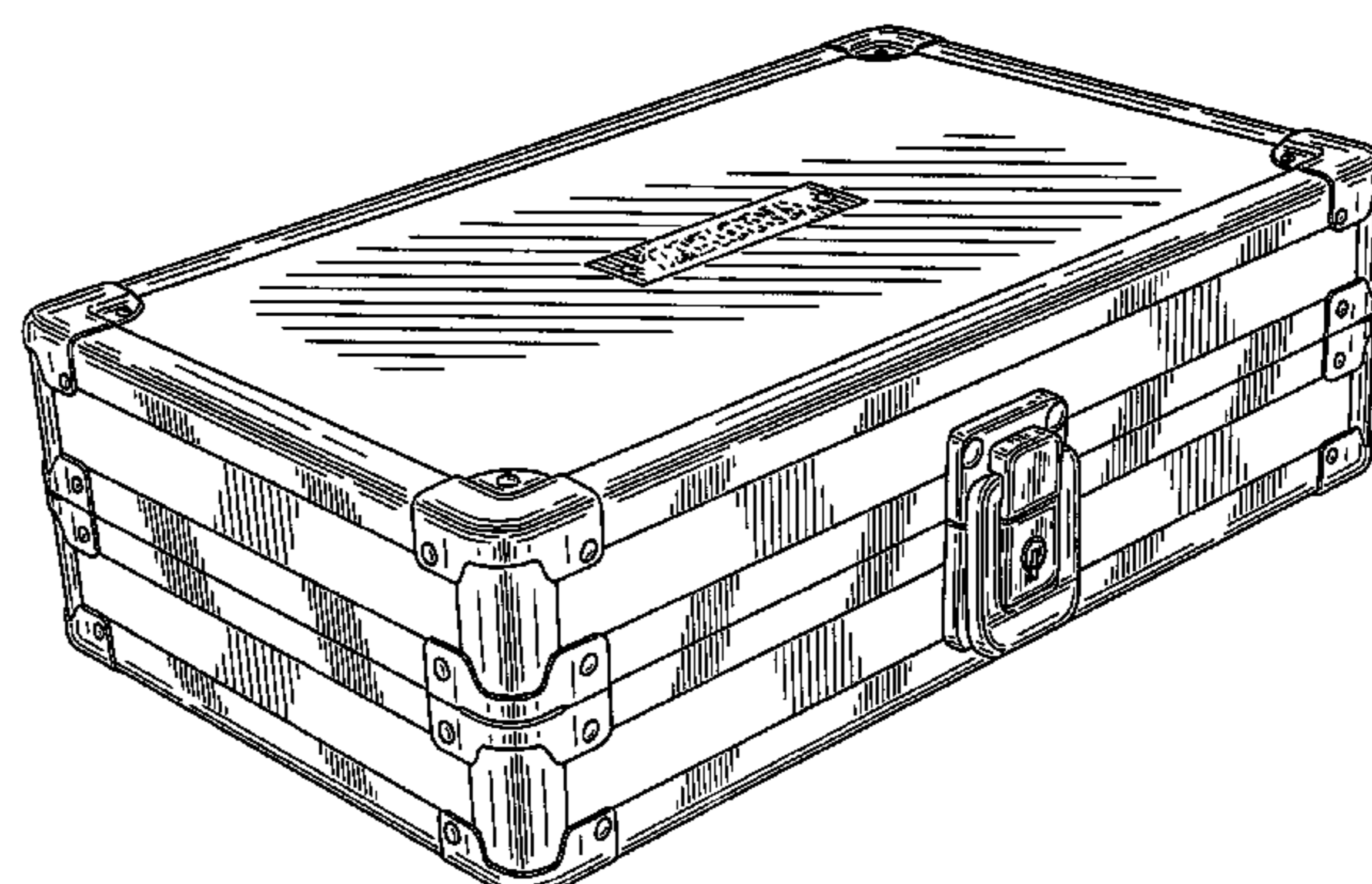
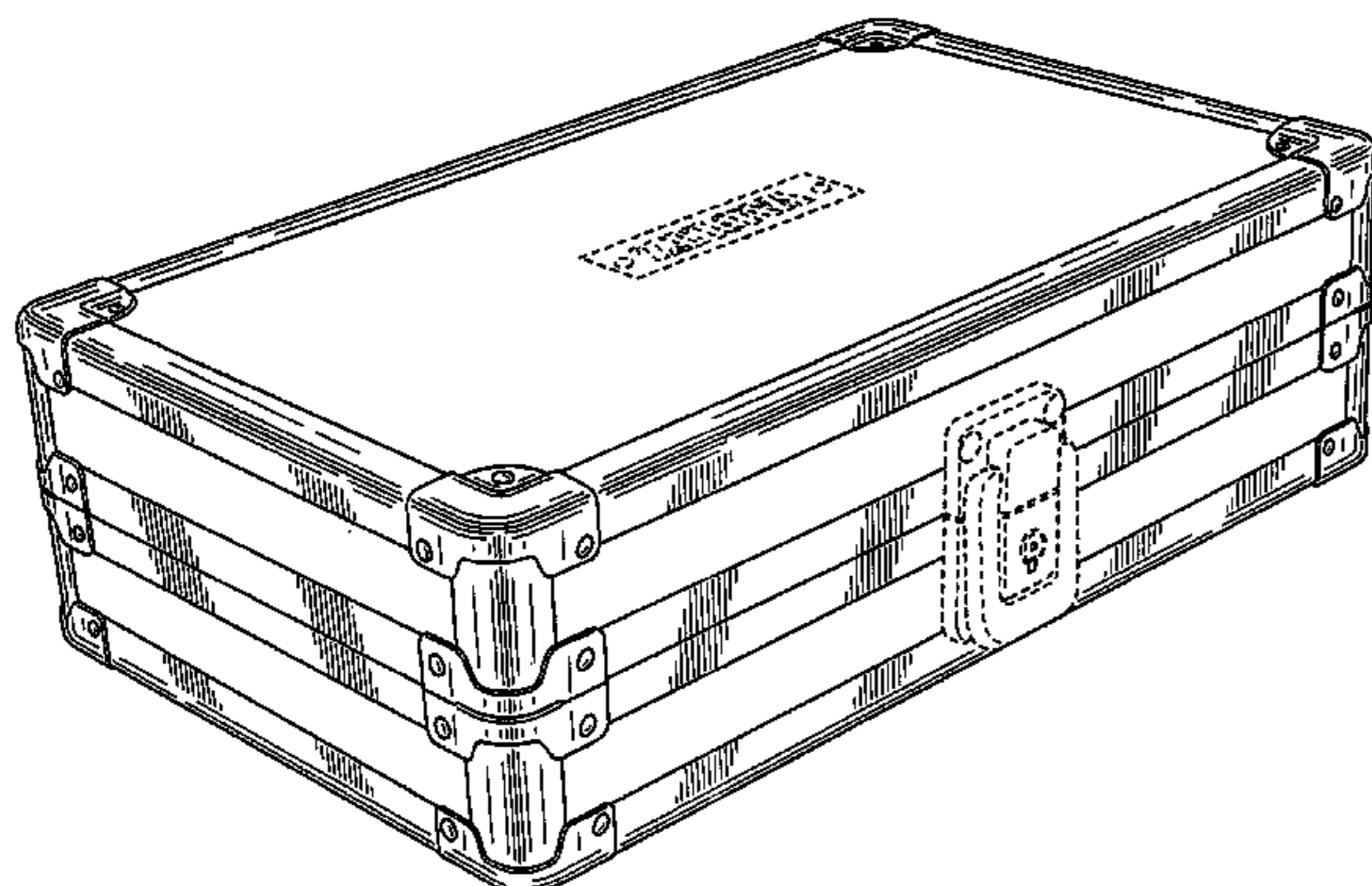
FIG. 12 is a right side profile view of the storage container for writing implements of FIG. 8;

FIG. 13 is a top plan view of the storage container for writing implements of FIG. 8; and,

FIG. 14 is a bottom plan view of the storage container for writing implements of FIG. 8.

The broken line showing in the views is for illustrative purposes only and forms no part of the claimed design.

1 Claim, 10 Drawing Sheets



US D549,447 S

U.S. PATENT DOCUMENTS

903,668 A	11/1908	Carl	D365,224 S	12/1995	Pohlman
941,969 A	11/1909	Williams	D365,225 S	12/1995	Poortvliet et al.
1,068,189 A *	7/1913	Waldschmitt D3/321	5,513,066 A	4/1996	Berman
D45,251 S *	2/1914	Chodorkow et al. D3/272	5,528,453 A	6/1996	Berman et al.
1,093,484 A *	4/1914	Schwarzrock D3/321	D378,164 S	2/1997	Lee
D67,730 S	6/1925	Wheary	D386,614 S	11/1997	Smith
D71,465 S	11/1926	Langmuir	D388,251 S	12/1997	Smith
1,767,143 A	6/1930	Laduke	D393,526 S	4/1998	Robey et al.
D82,782 S *	12/1930	Apter D3/272	D401,408 S	11/1998	Sun et al.
D108,941 S	3/1938	Goldberg	D410,351 S	6/1999	Magnusson et al.
D129,108 S	8/1941	Sprague	D414,037 S	9/1999	Akaike et al.
D152,482 S	1/1949	Kendall et al.	D414,646 S	10/1999	Ouguerouz
2,511,949 A	6/1950	Simon	D415,614 S	10/1999	Akaike et al.
D160,949 S	11/1950	Knell	D419,766 S	2/2000	Rekuc
2,558,839 A	7/1951	Goldberg	6,021,891 A *	2/2000	Anderson 206/214
2,626,025 A	1/1953	Sherman	D431,392 S	10/2000	Felsenthal
2,631,725 A	3/1953	Miller	6,193,340 B1	2/2001	Schenker et al.
D170,965 S	12/1953	Claus	D439,044 S	3/2001	Cheng
D202,160 S	8/1965	Territo et al.	D454,750 S	3/2002	Bieda
D232,782 S	9/1974	Kryter	D460,878 S	7/2002	Keller
D247,993 S	5/1978	Calzone, III	D461,339 S	8/2002	Keller
D256,737 S	9/1980	Woodhall	D467,078 S	12/2002	Snider
D268,380 S	3/1983	Thiele	D467,428 S	12/2002	Wolf
4,509,622 A	4/1985	Morszeck	6,513,889 B1	2/2003	Park
D285,626 S	9/1986	Yen	D471,382 S	3/2003	Jackson
D287,429 S	12/1986	Esslinger	D482,210 S	11/2003	Bishop
D288,751 S	3/1987	Fuss et al.	D484,352 S	12/2003	Palmer
D288,753 S	3/1987	Fuss et al.	D488,321 S	4/2004	Perella
D288,863 S	3/1987	Vuitton	D490,206 S	5/2004	Perella
4,669,587 A	6/1987	Zitt	D493,303 S	7/2004	Perella
D296,153 S	6/1988	Reichow	D493,936 S	8/2004	Perella
D297,385 S	8/1988	Bennett	D496,791 S	10/2004	Perella
4,782,972 A	11/1988	Wenkman et al.	D497,252 S	10/2004	Perella
D308,137 S	5/1990	Grecchi	D498,049 S	11/2004	Perella
D314,666 S	2/1991	Lanius	D499,883 S	12/2004	Perella
5,000,301 A	3/1991	Grenier	D500,922 S	1/2005	Perella
D322,884 S	1/1992	Martinez	D501,083 S	1/2005	Perella
D329,134 S	9/1992	Tokuda et al.	D501,995 S	2/2005	Perella
D331,663 S	12/1992	Roncato	D503,024 S	3/2005	Perella
D336,983 S	7/1993	Roberts et al.	D503,503 S	3/2005	Perella
D351,502 S	10/1994	Weir et al.	D504,038 S	4/2005	Perella
D358,055 S	5/1995	Long et al.	D504,039 S	4/2005	Perella
D364,053 S	11/1995	Hayashi et al.			

* cited by examiner

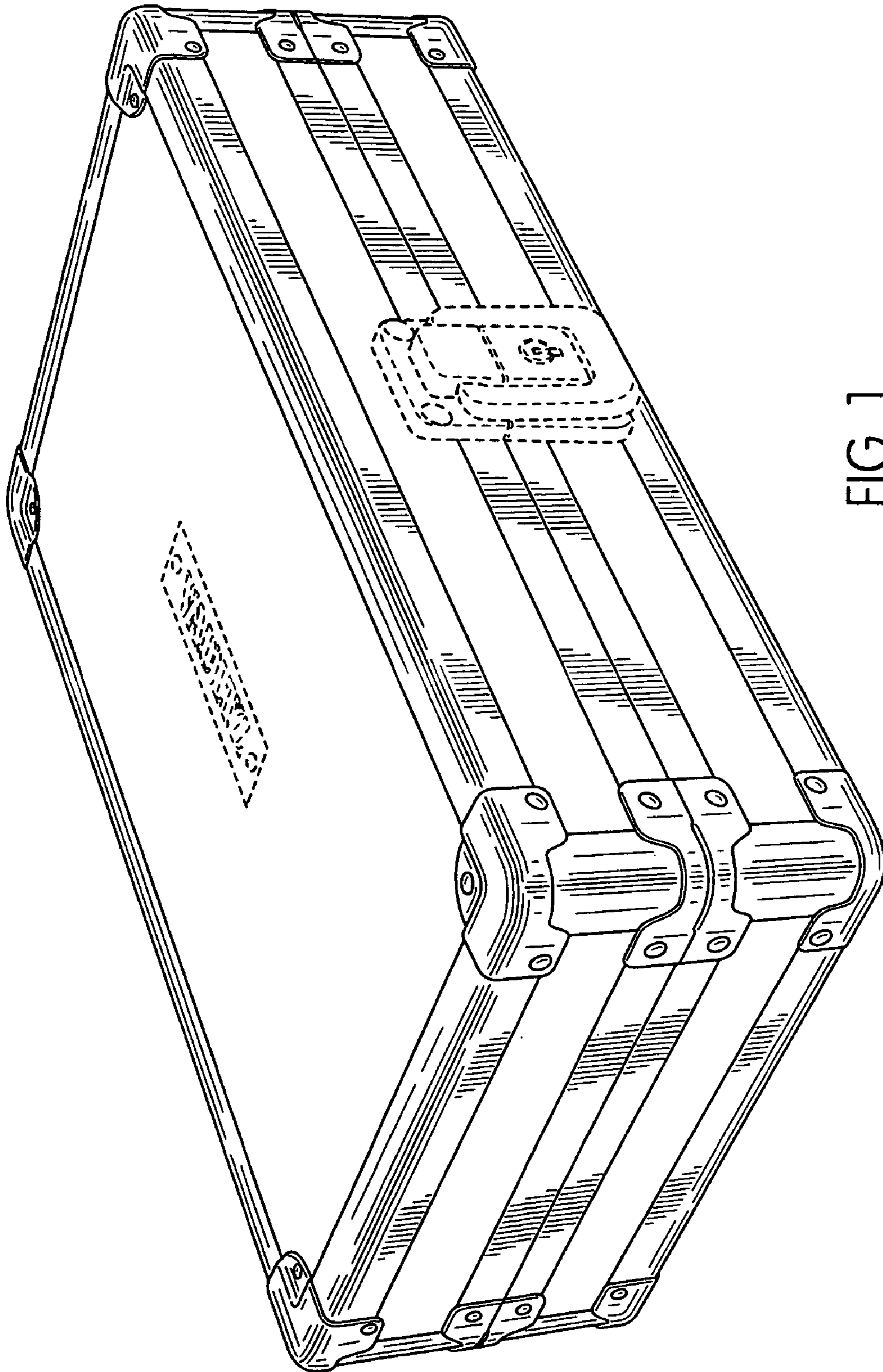


FIG. 1

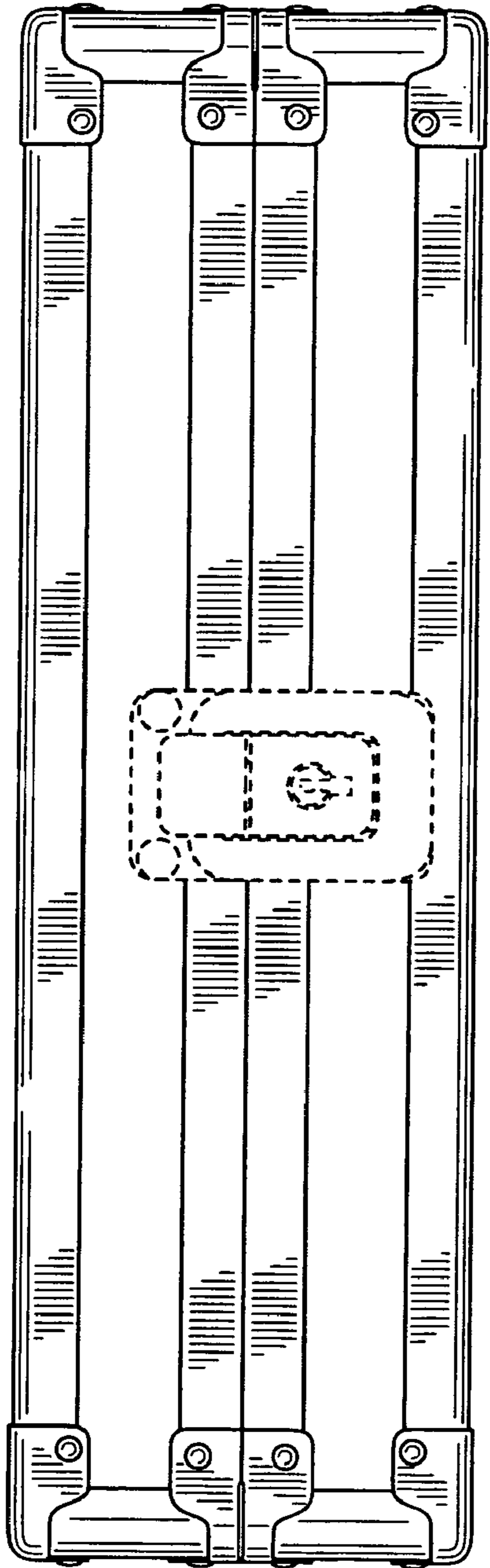


FIG. 2

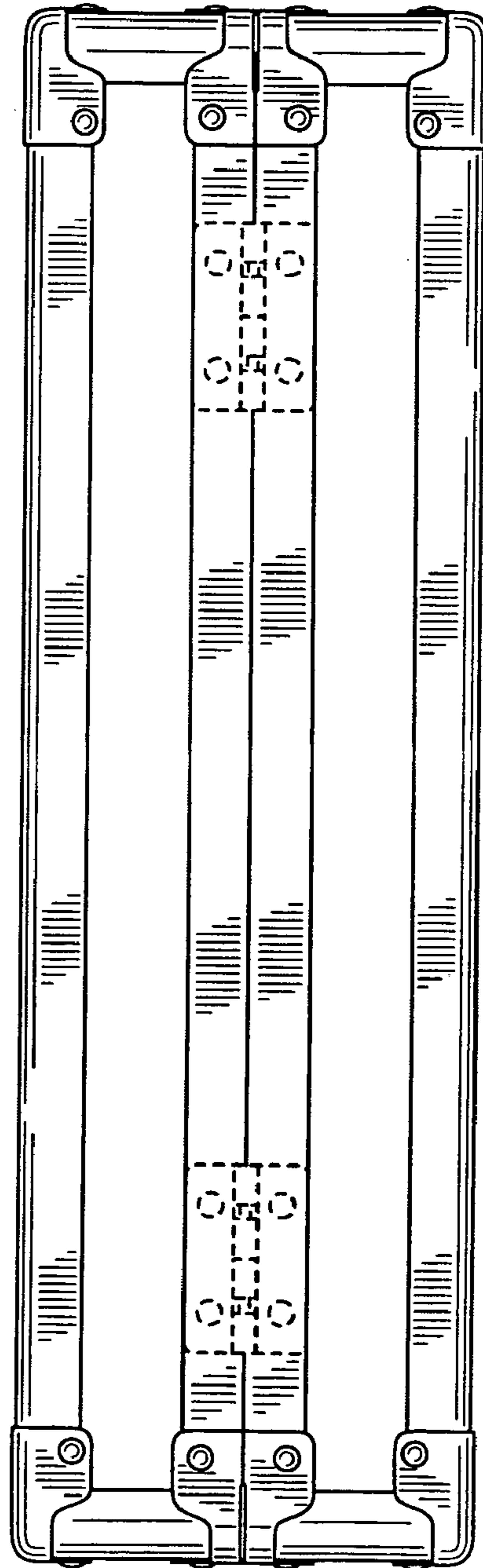


FIG. 3

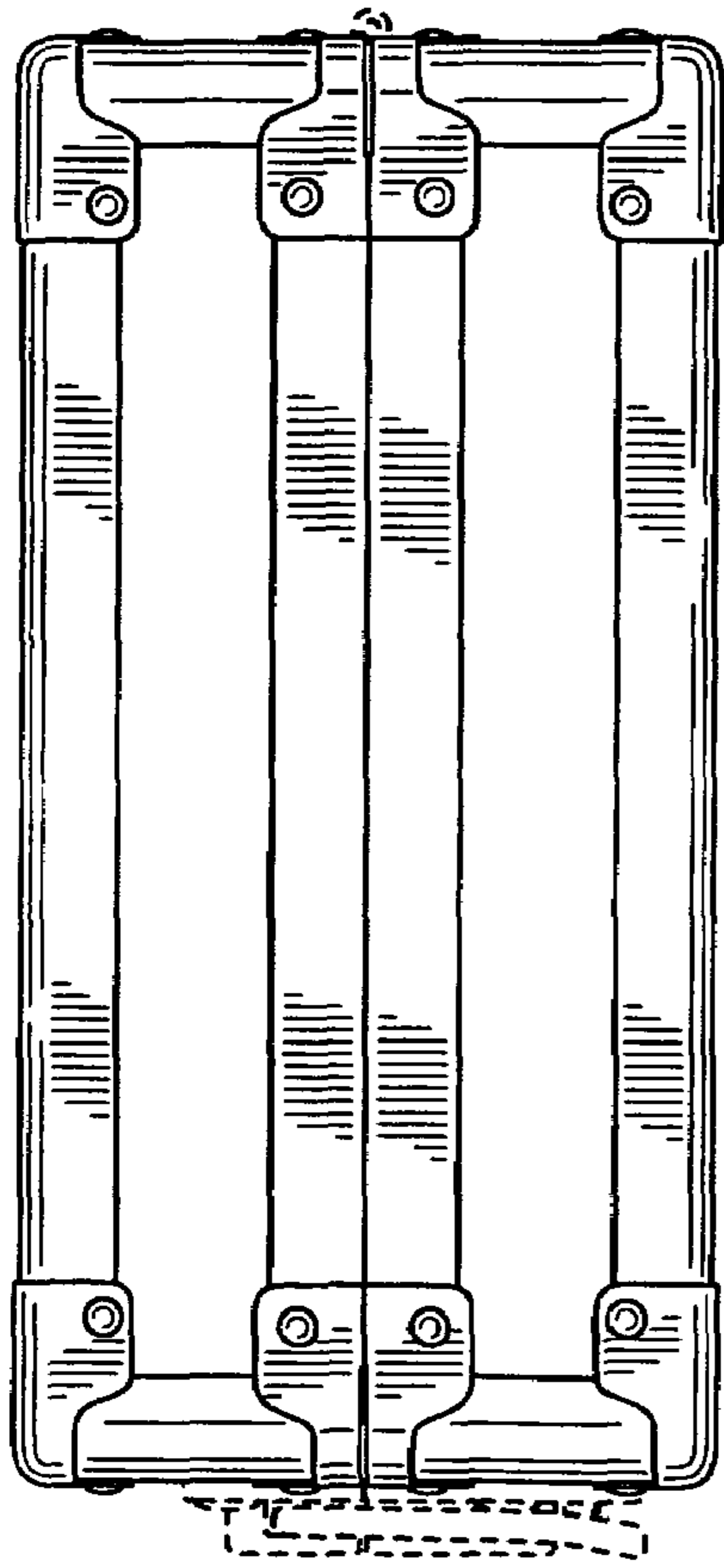


FIG. 4

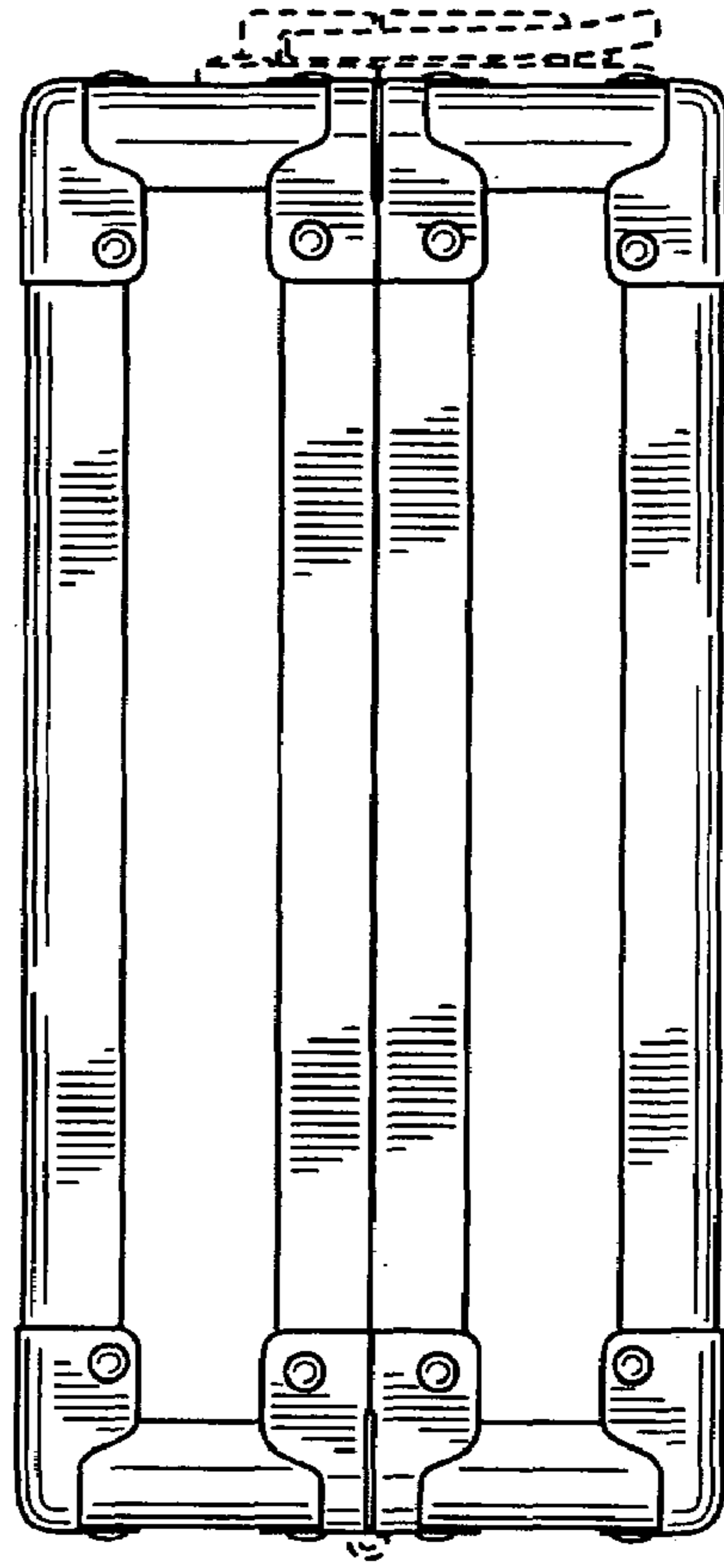


FIG. 5

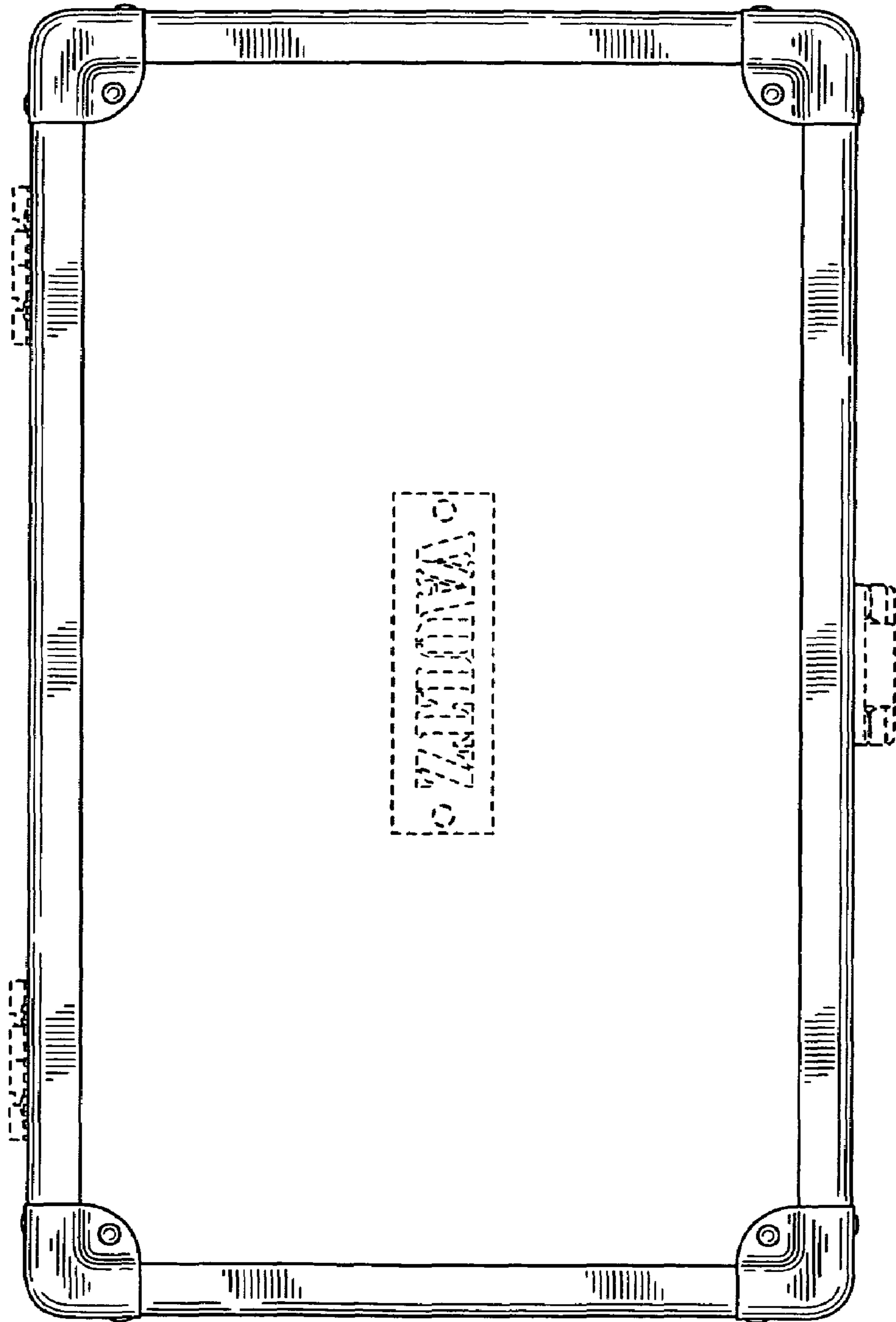


FIG. 6

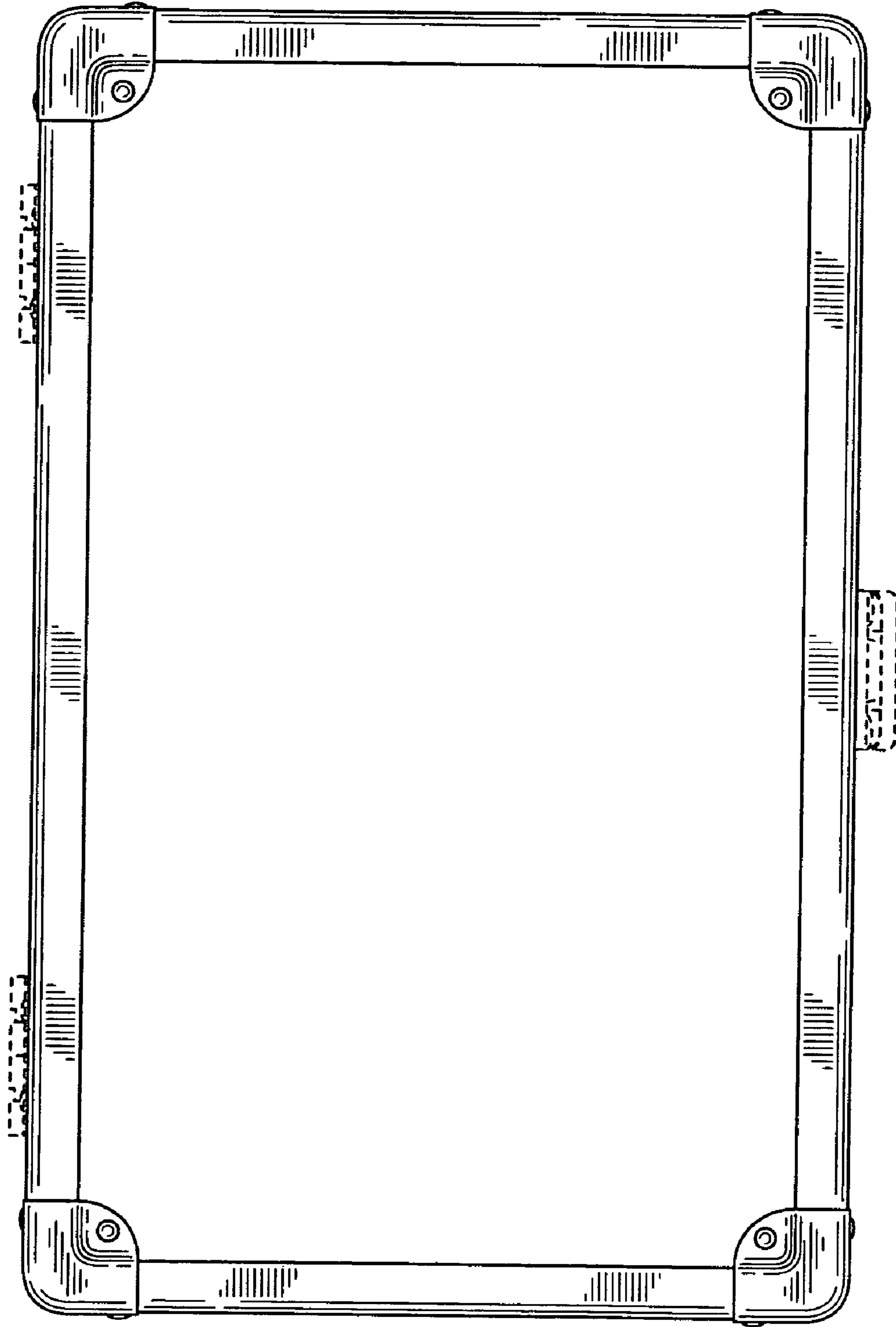


FIG. 7

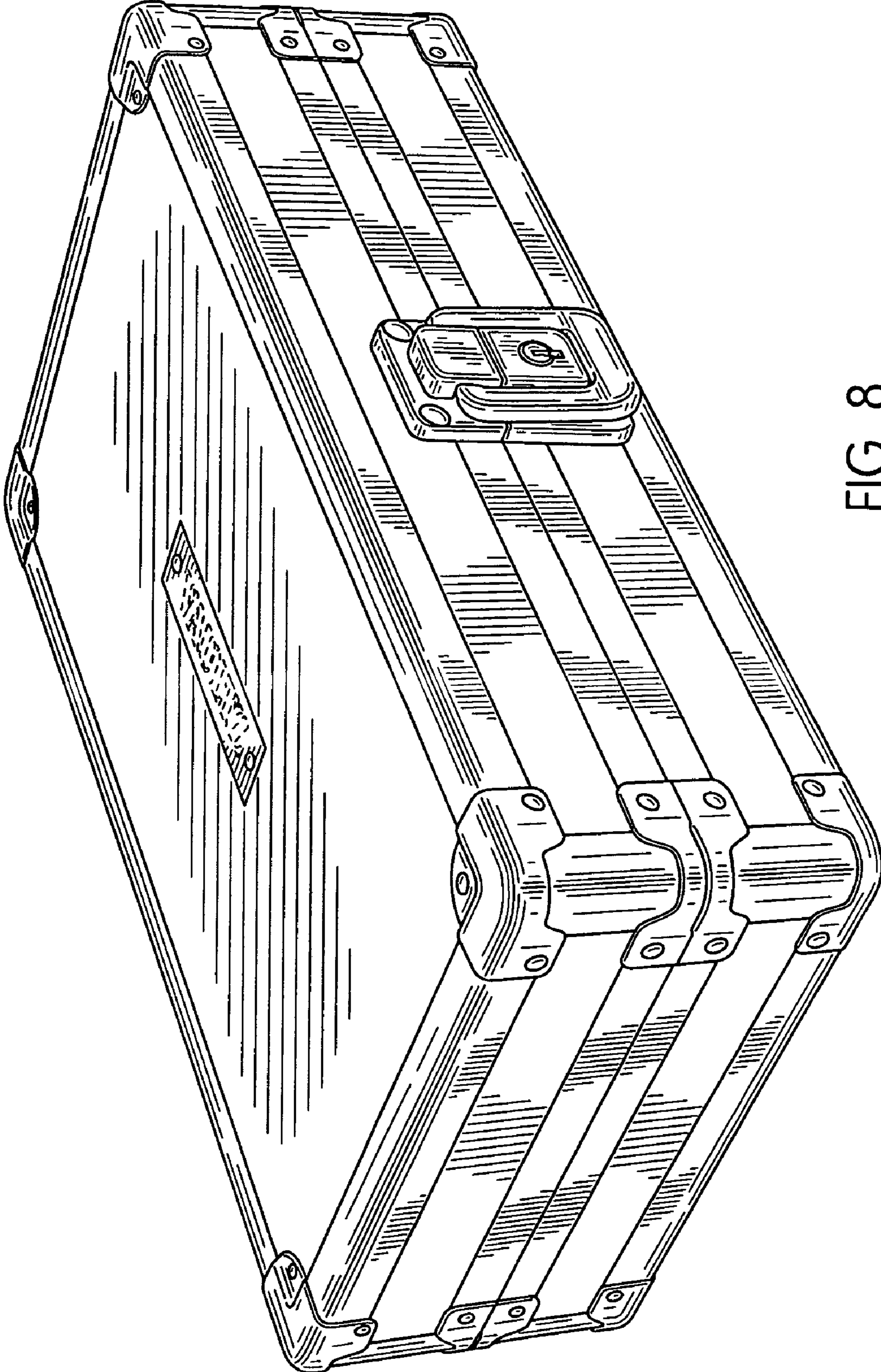


FIG. 8

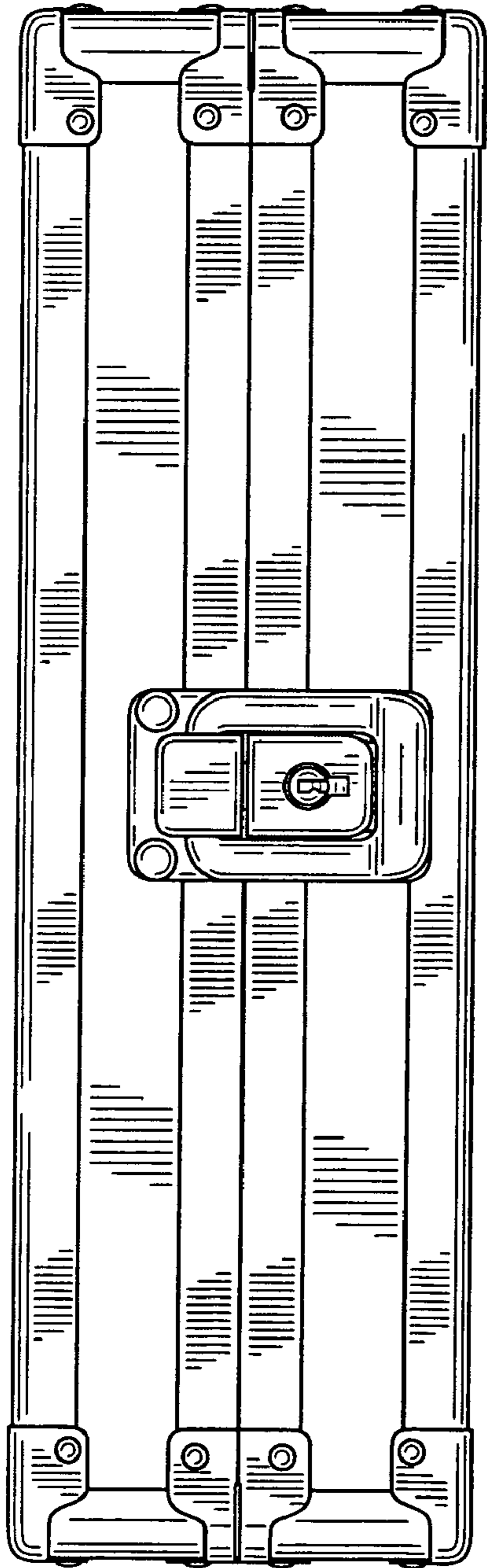


FIG. 9

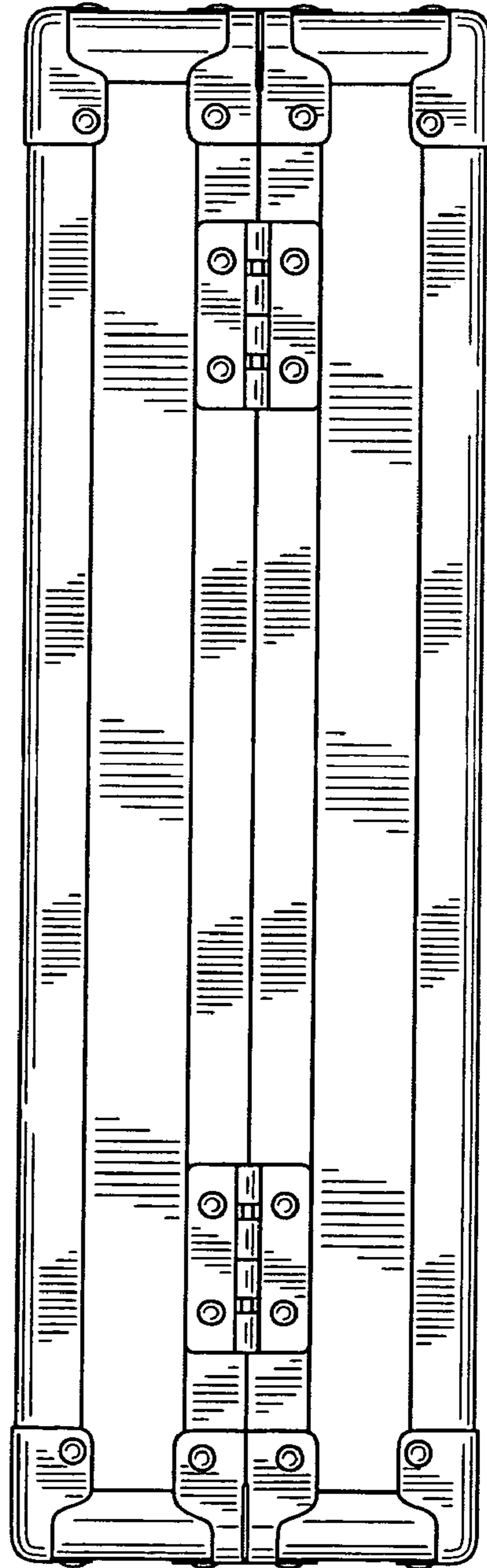


FIG. 10

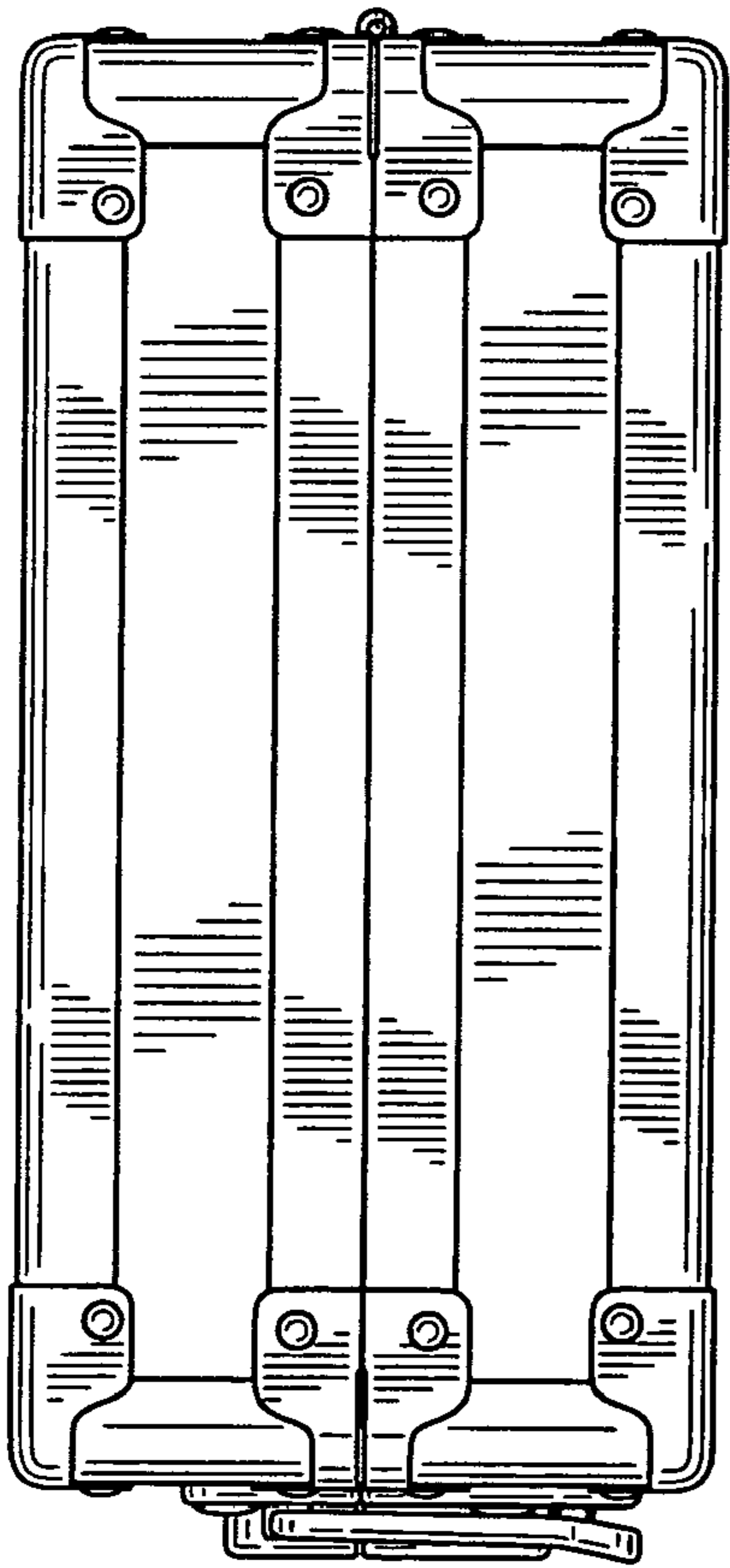


FIG. 11

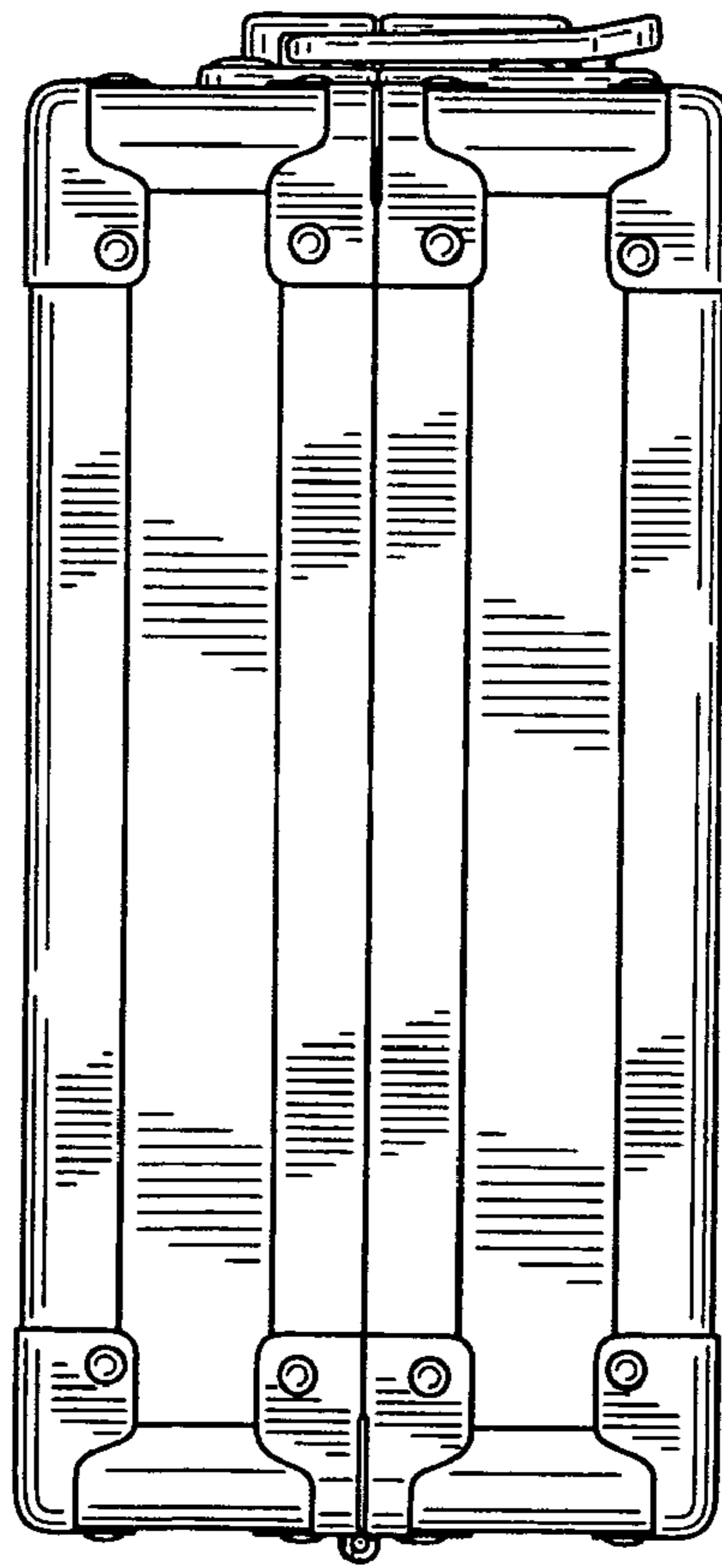


FIG. 12

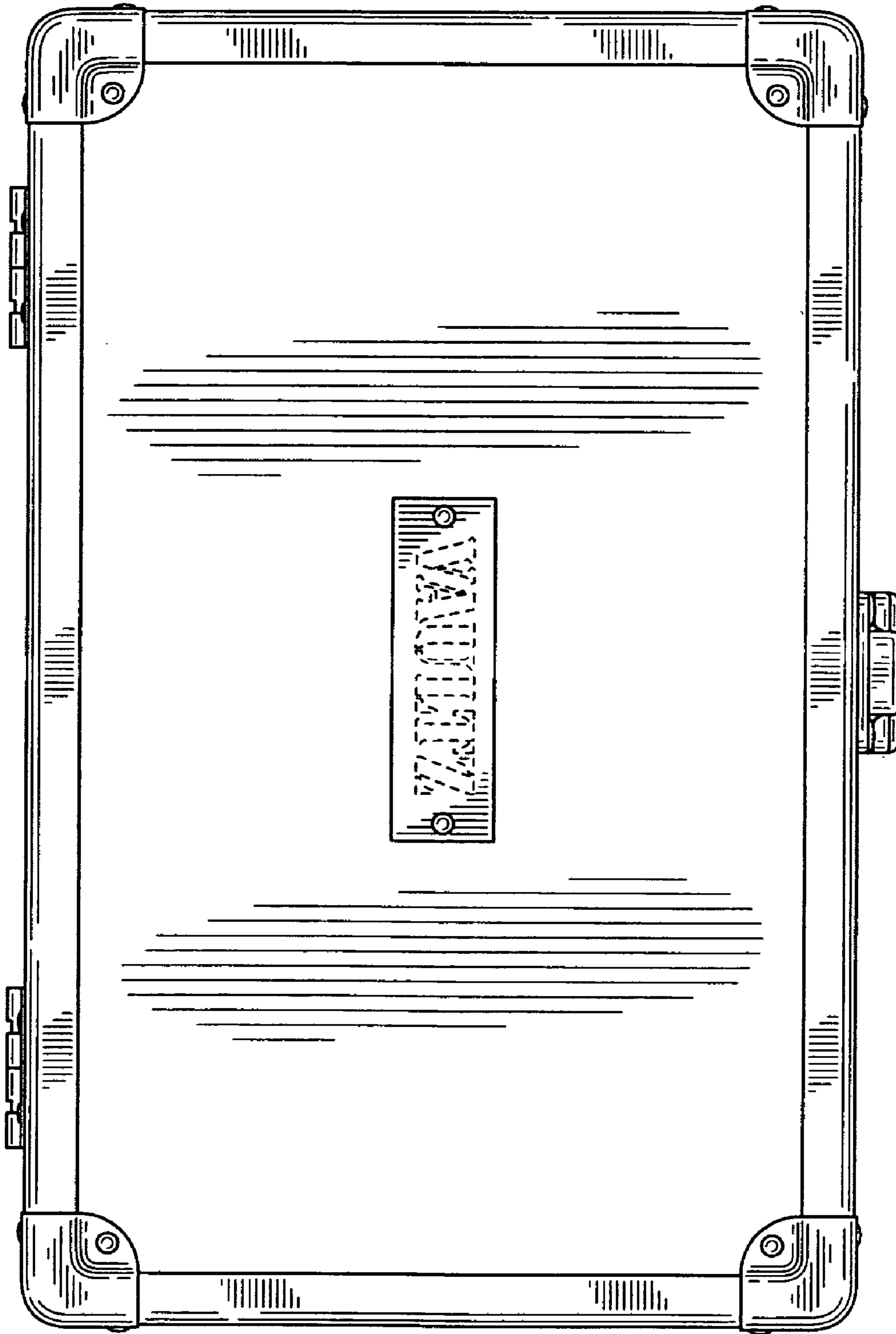


FIG. 13

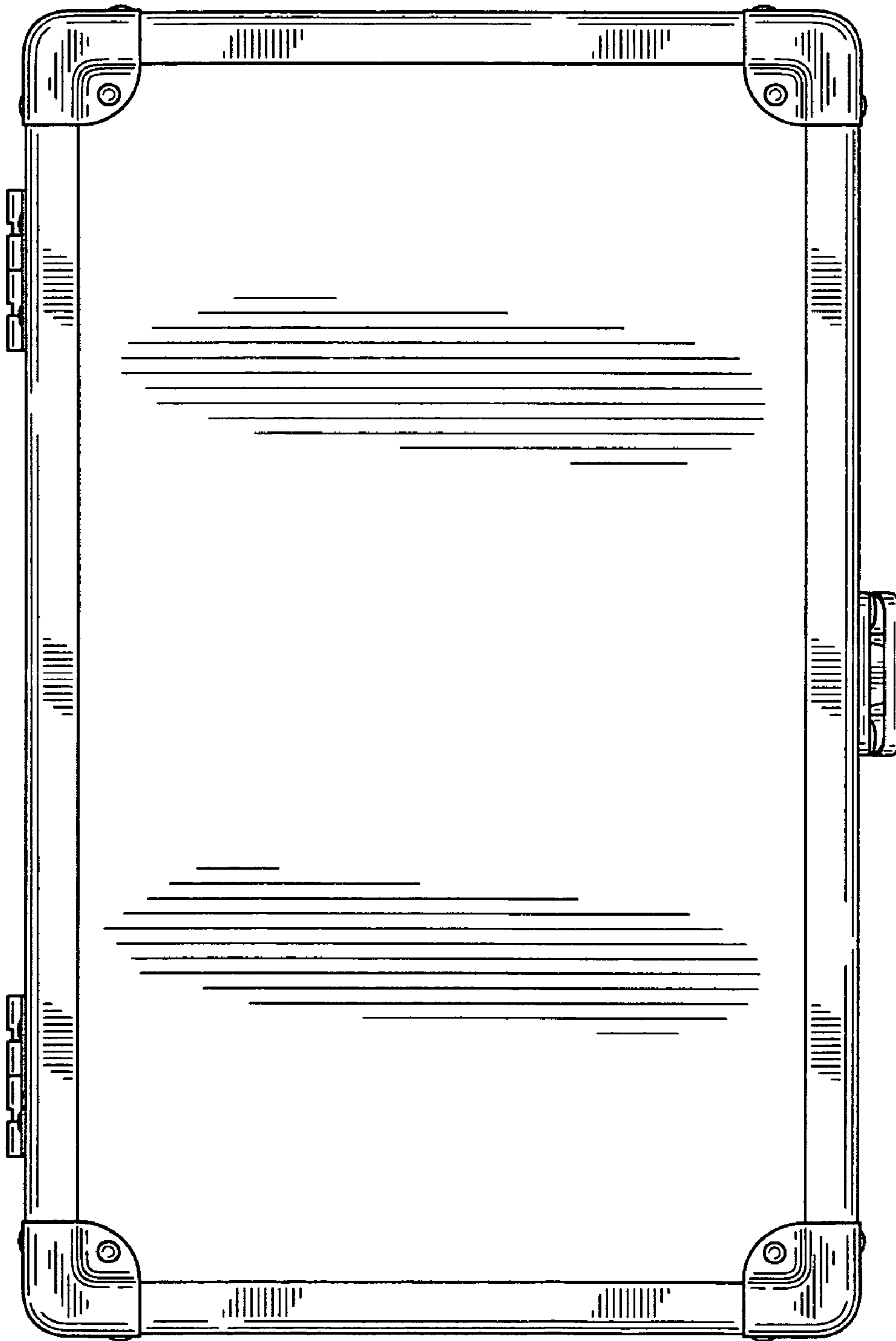


FIG. 14