

US00D549443S

(12) **United States Design Patent**
Epling

(10) **Patent No.:** **US D549,443 S**

(45) **Date of Patent:** **** Aug. 28, 2007**

(54) **CROCHET THREAD HOLDER**

(57) **CLAIM**

(76) **Inventor:** **Bobby Gene Epling**, 1036 Hancock Ave., Akron, OH (US) 44314

The ornamental design for a crochet thread holder, as shown and described.

(**) **Term:** **14 Years**

(21) **Appl. No.:** **29/251,413**

(22) **Filed:** **Jan. 9, 2006**

(51) **LOC (8) Cl.** **02-07**

(52) **U.S. Cl.** **D3/23**

(58) **Field of Classification Search** D3/18-29;
D8/358; D15/138, 66; D14/484; 242/118.4,
242/118.5, 118.7, 118.61, 129, 141
See application file for complete search history.

(56) **References Cited**

U.S. PATENT DOCUMENTS

D122,897	S	*	10/1940	Lion	D3/24
3,420,468	A	*	1/1969	Rhoades	242/134
3,595,723	A	*	7/1971	Ellis et al.	156/170
3,602,457	A	*	8/1971	Nichols et al.	242/134
D272,485	S	*	2/1984	Philips	D3/24
4,500,047	A	*	2/1985	Merlin	242/597.4
D290,340	S	*	6/1987	McCaffrey	D8/358
5,100,076	A	*	3/1992	Cobane et al.	242/605
5,143,316	A	*	9/1992	Goetz et al.	242/129.5
D357,113	S	*	4/1995	Green	D3/24

* cited by examiner

Primary Examiner—Louis S. Zarfes
Assistant Examiner—Anhdao Doan

DESCRIPTION

FIG. 1 is a first perspective view of a first embodiment of a crochet thread holder showing my new design;

FIG. 2 is a second perspective view thereof;

FIG. 3 is a first plan view thereof;

FIG. 4 is a second plan view thereof;

FIG. 5 is a first side view thereof;

FIG. 6 is a second side view thereof;

FIG. 7 is a third side view thereof;

FIG. 8 is a fourth side view thereof;

FIG. 9 is a first perspective view of a second embodiment of a crochet thread holder showing my new design;

FIG. 10 is a second perspective view thereof;

FIG. 11 is a first plan view thereof;

FIG. 12 is a second plan view thereof;

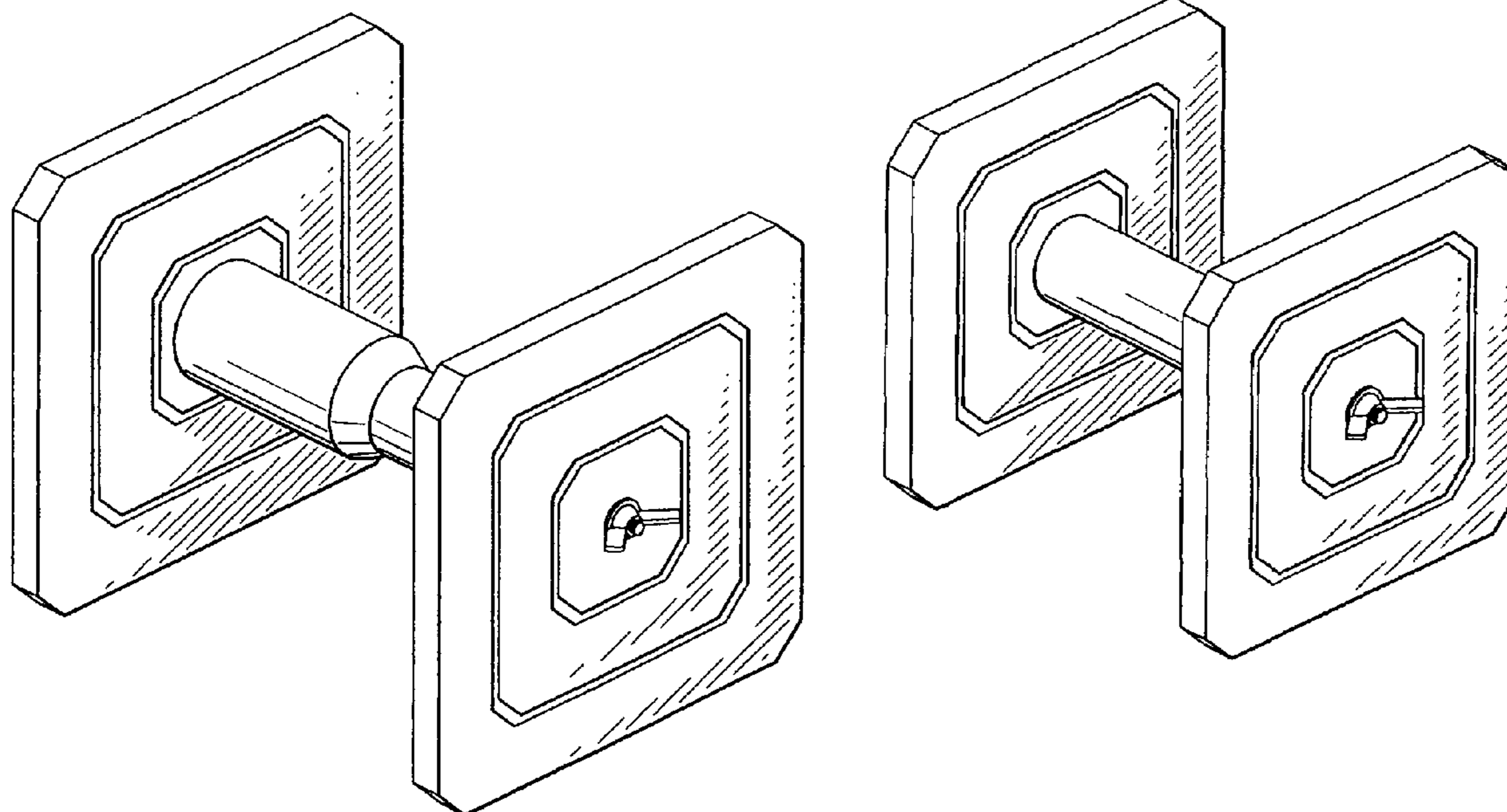
FIG. 13 is a first side view thereof;

FIG. 14 is a second side view thereof;

FIG. 15 is a third side view thereof; and,

FIG. 16 is a fourth side view thereof.

1 Claim, 6 Drawing Sheets



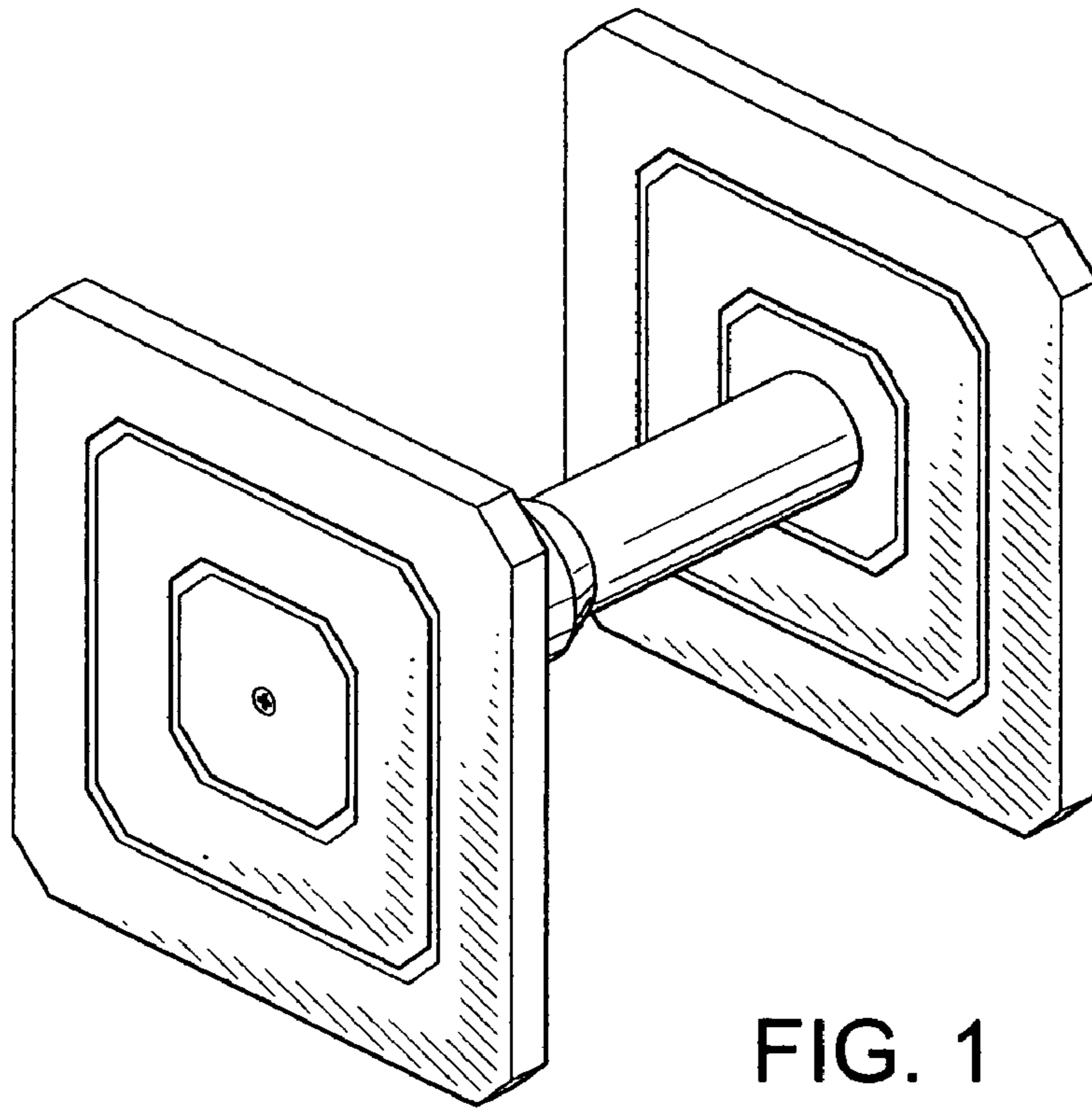


FIG. 1

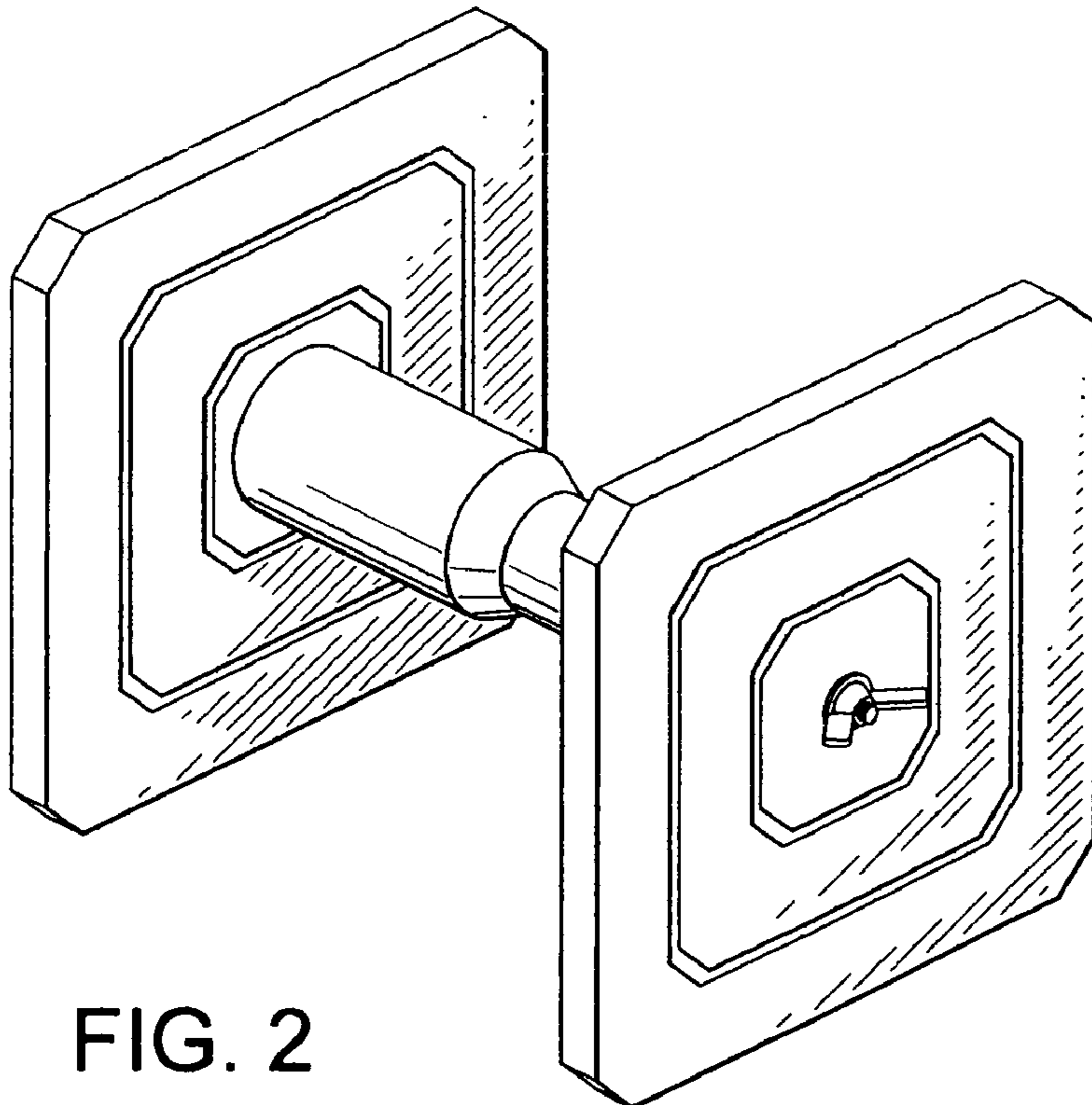


FIG. 2

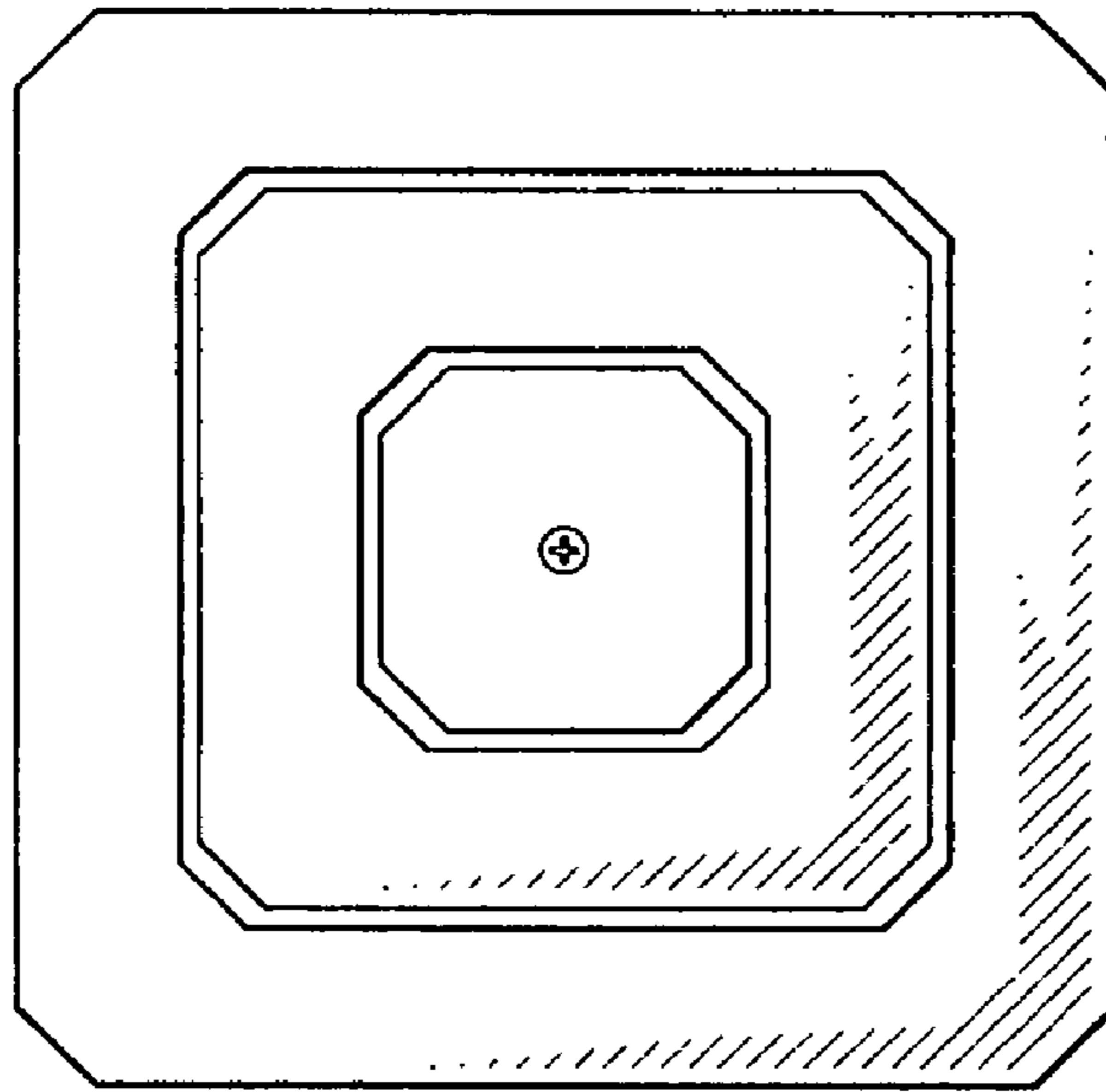


FIG. 3

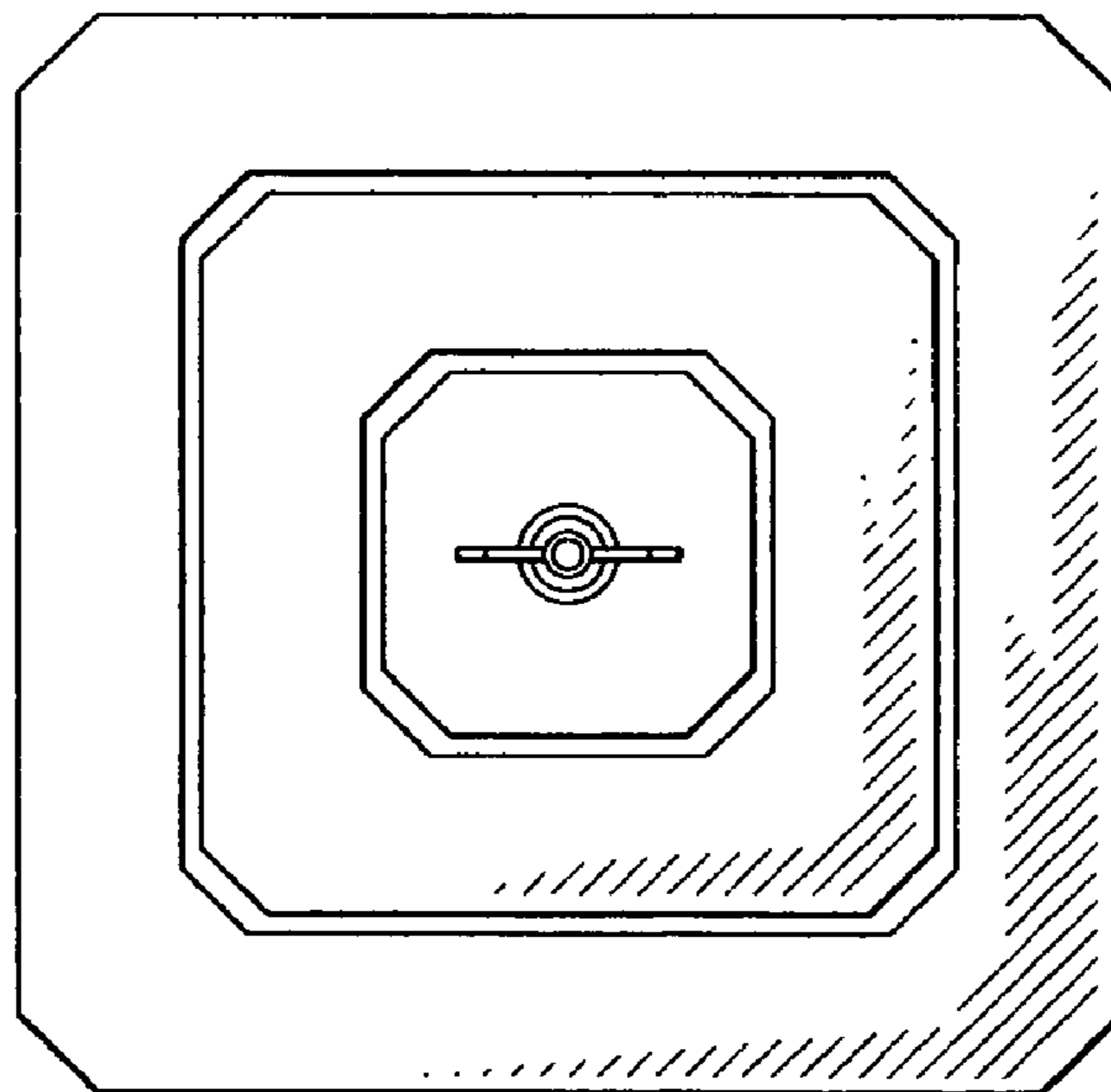


FIG. 4

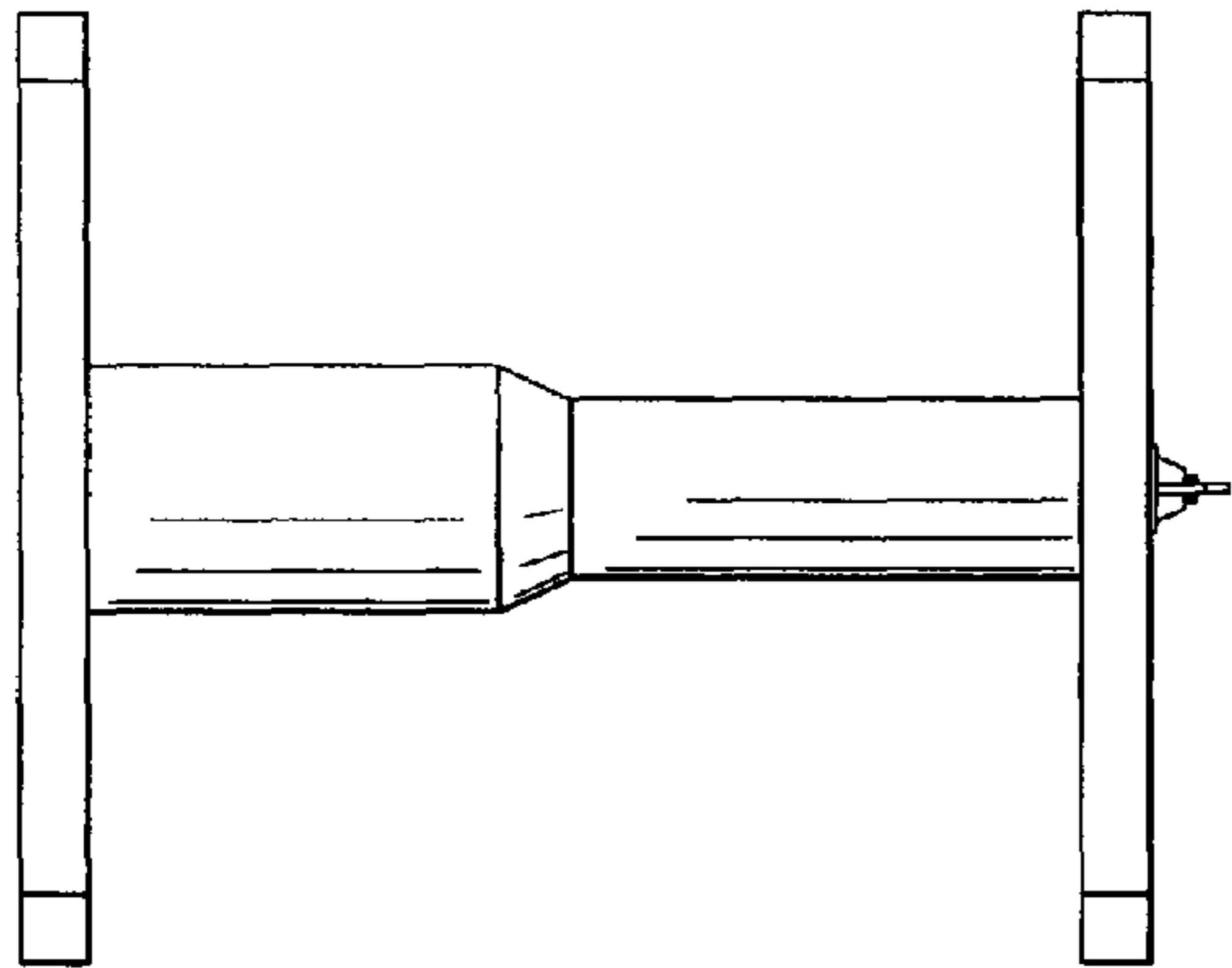


FIG. 5

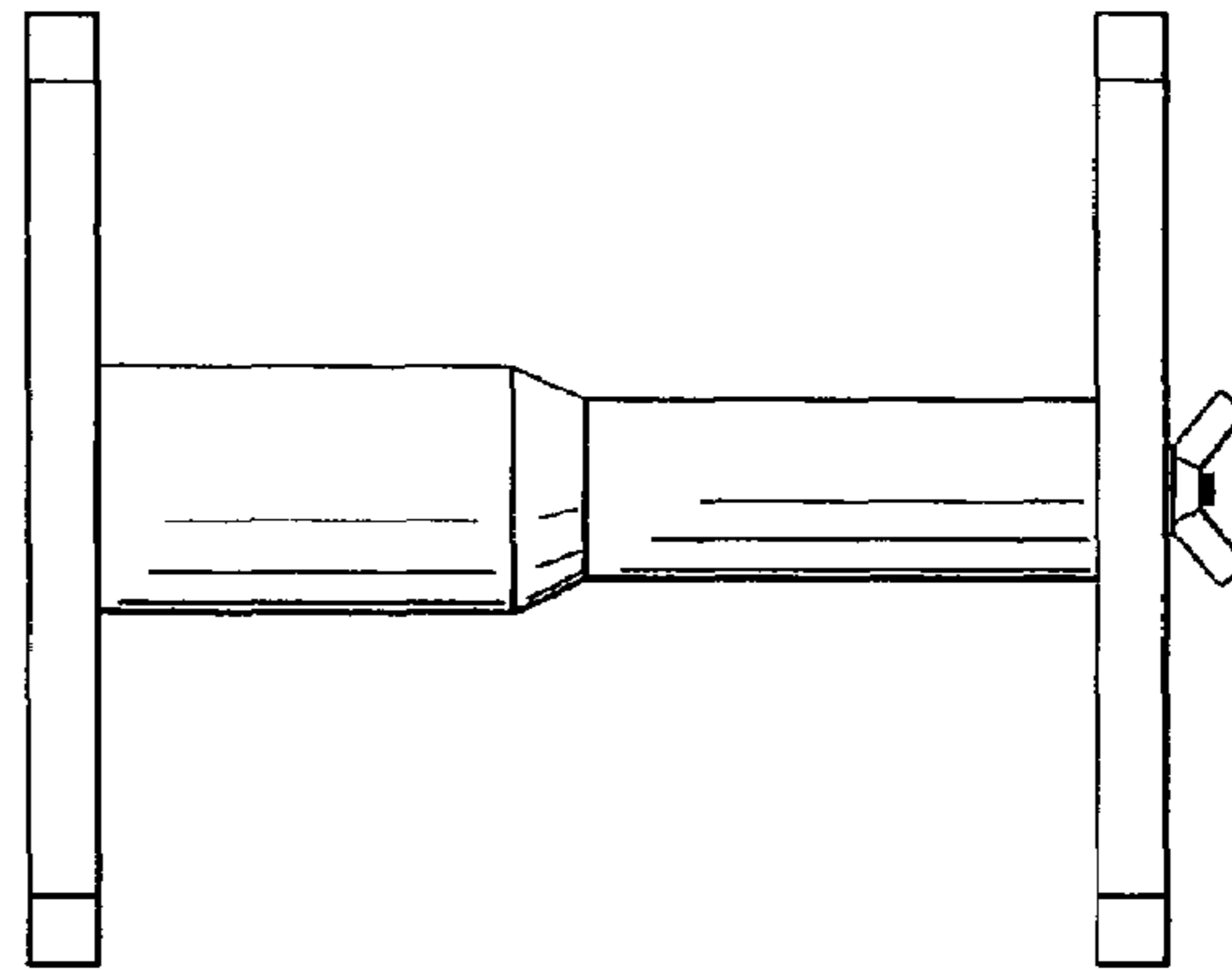


FIG. 7

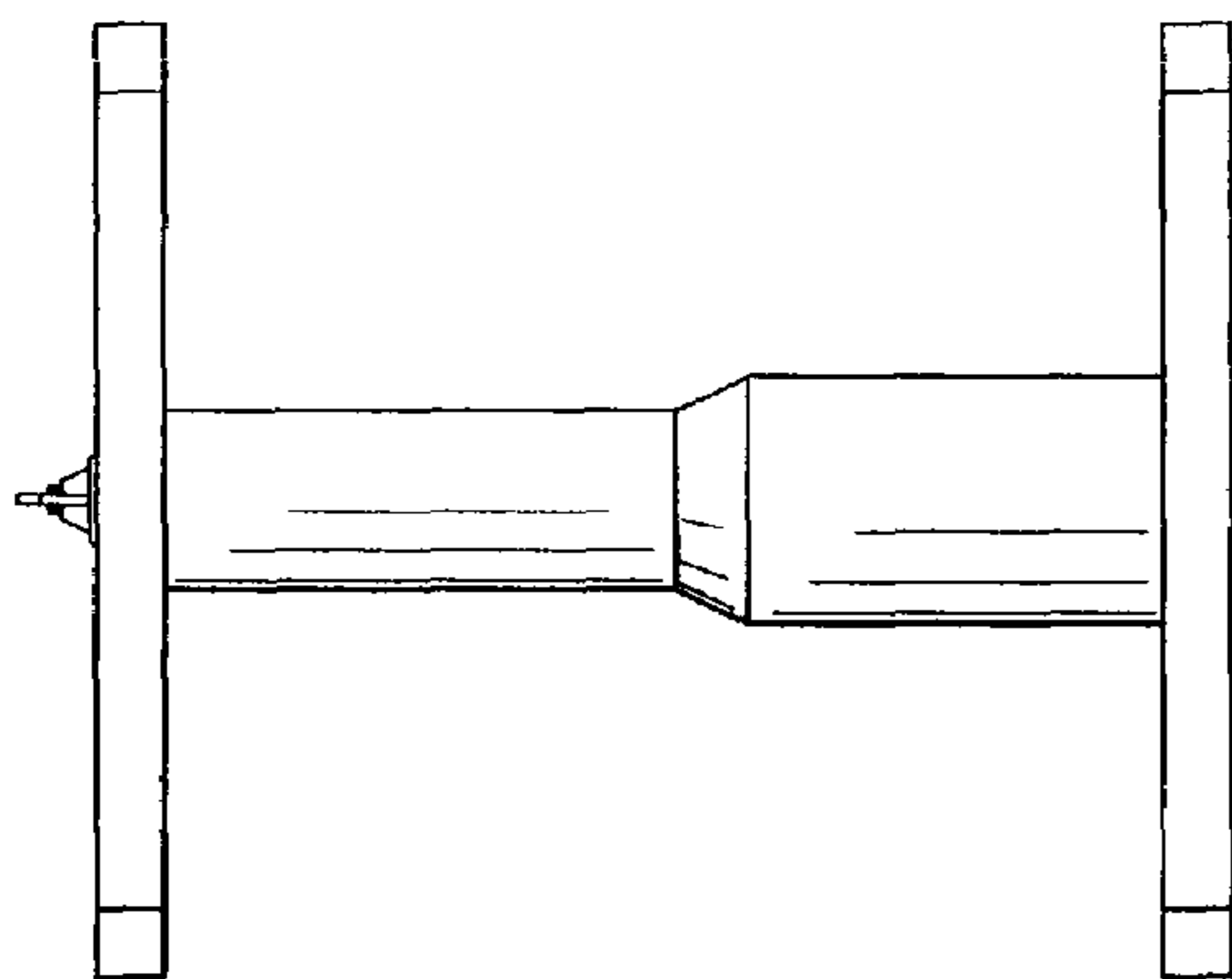


FIG. 6

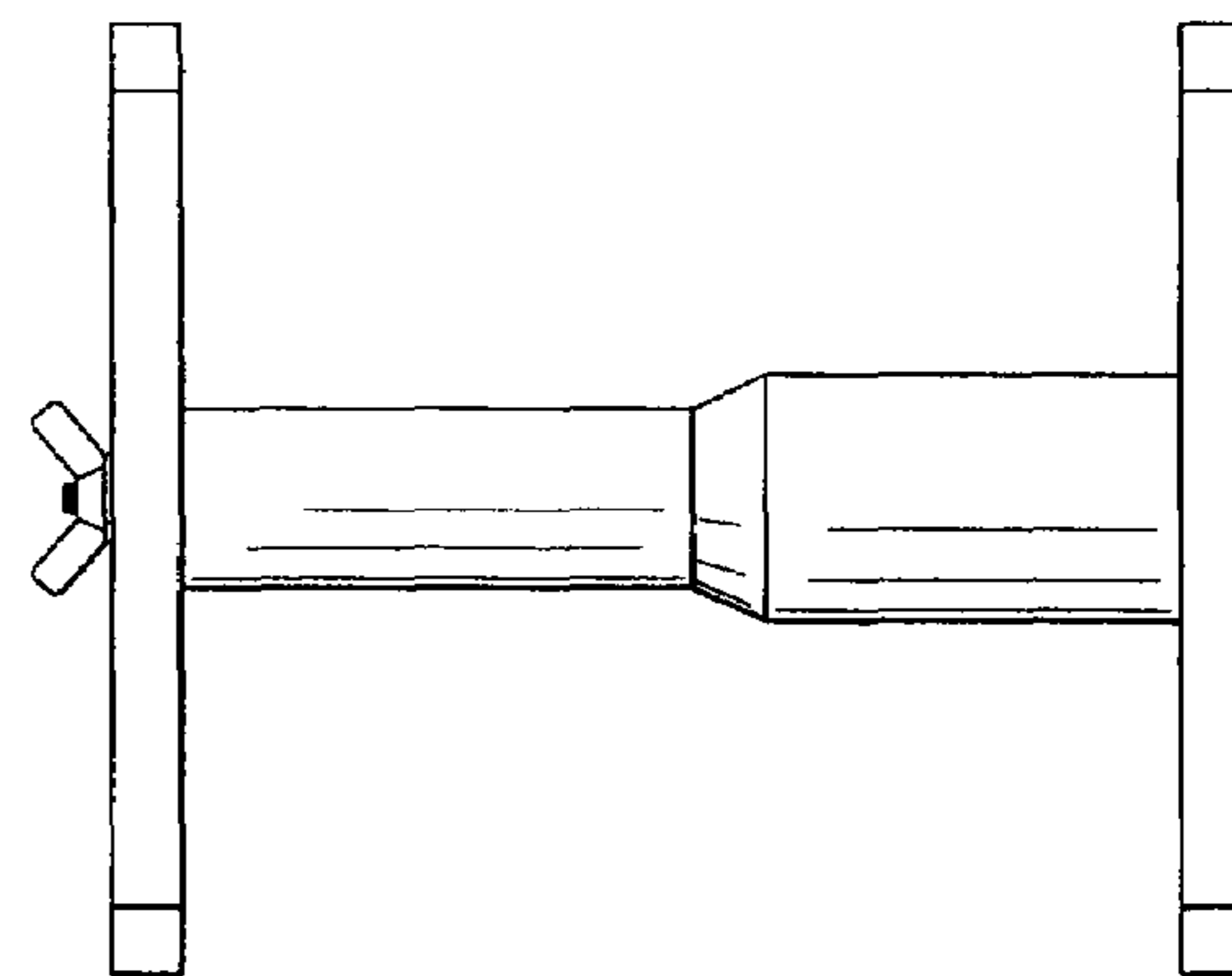


FIG. 8

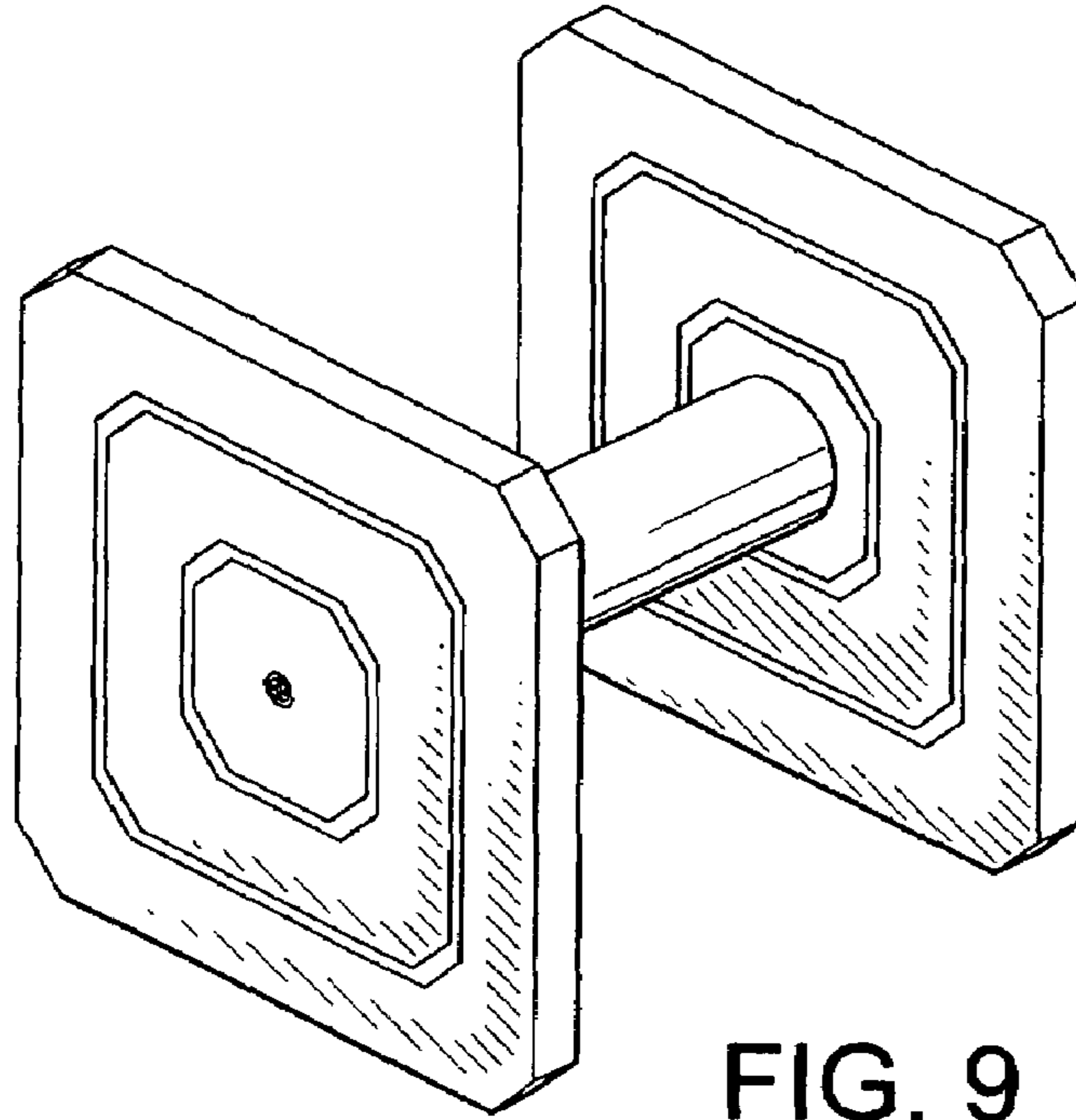


FIG. 9

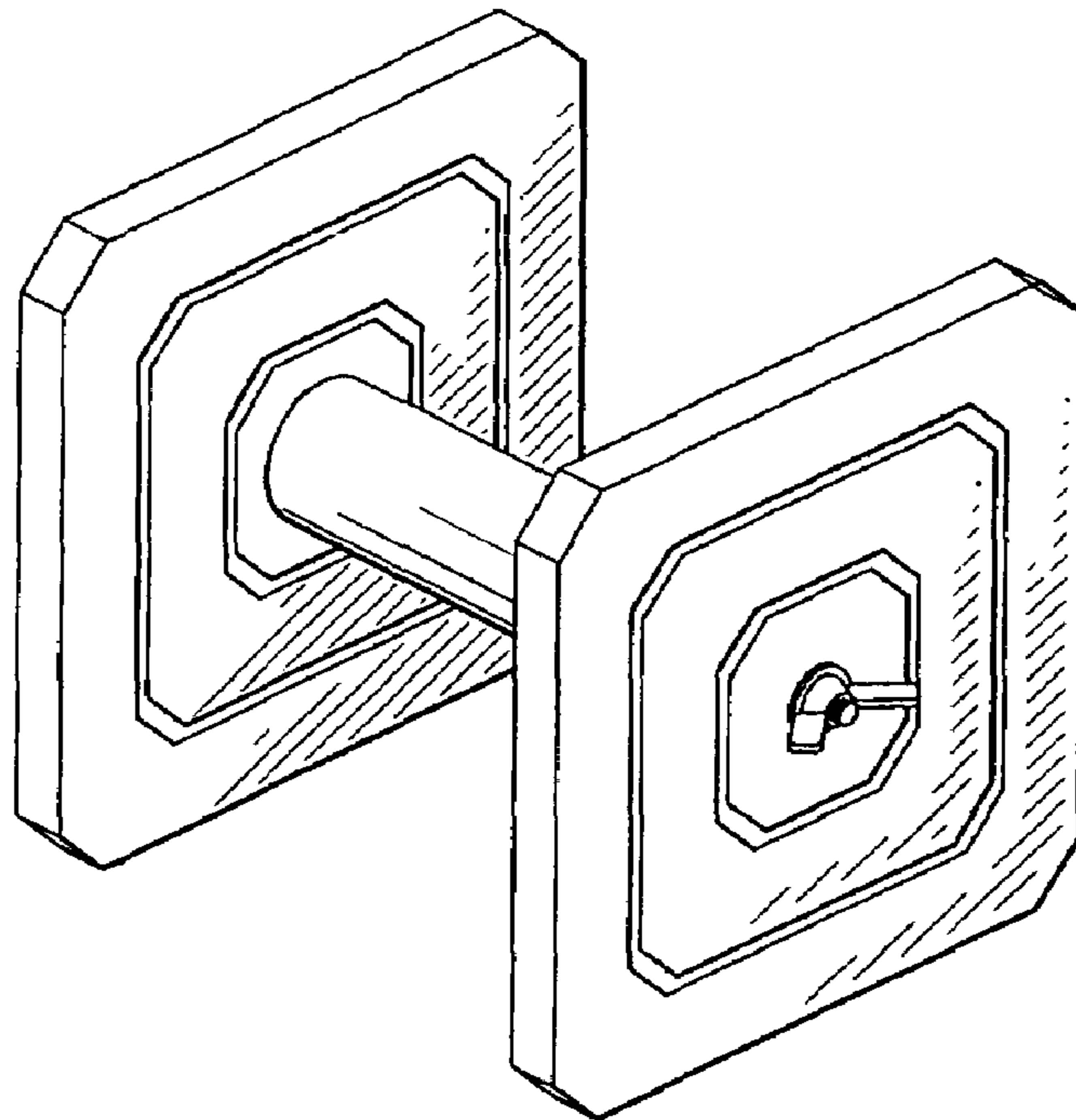


FIG. 10

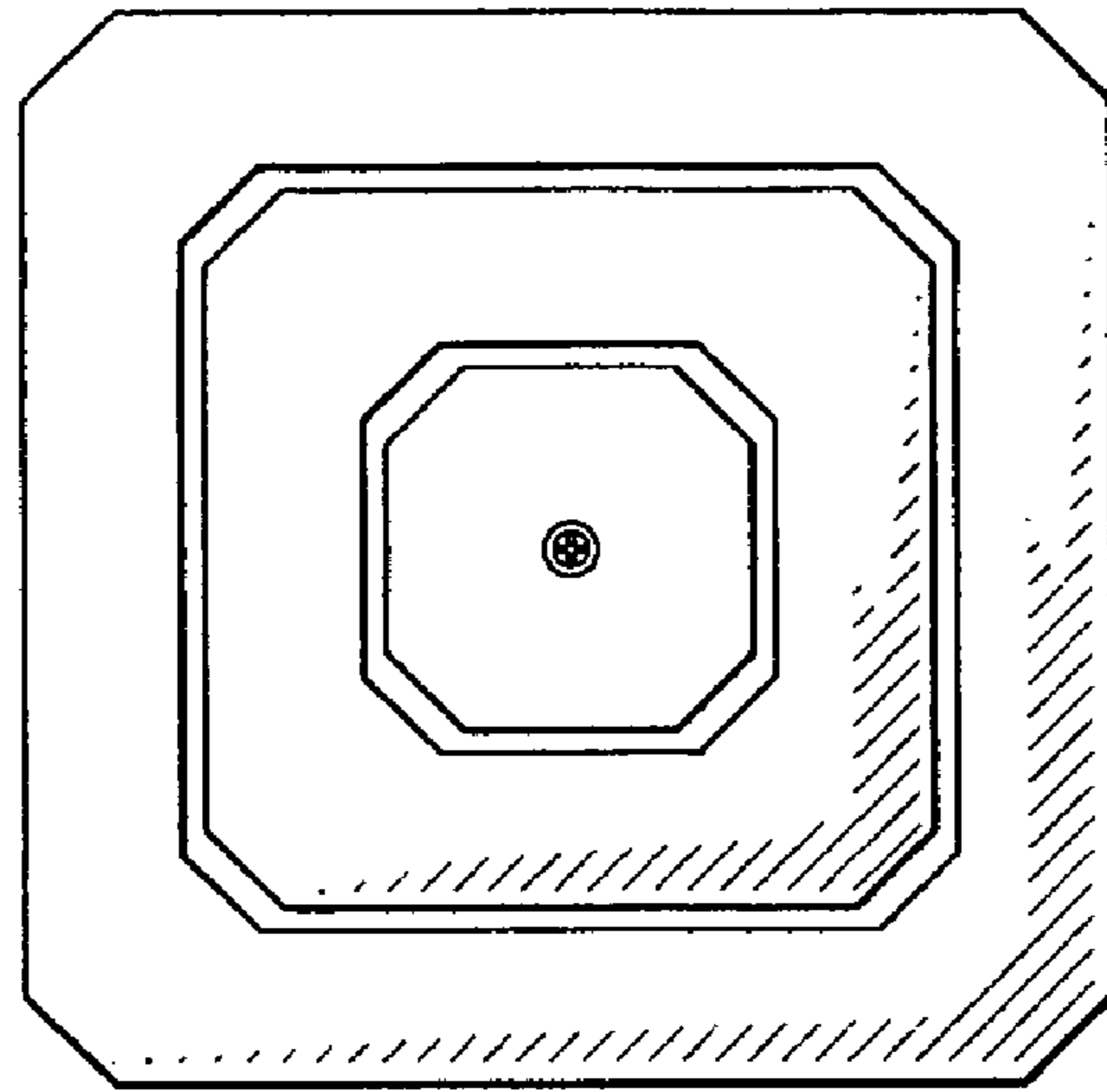


FIG. 11

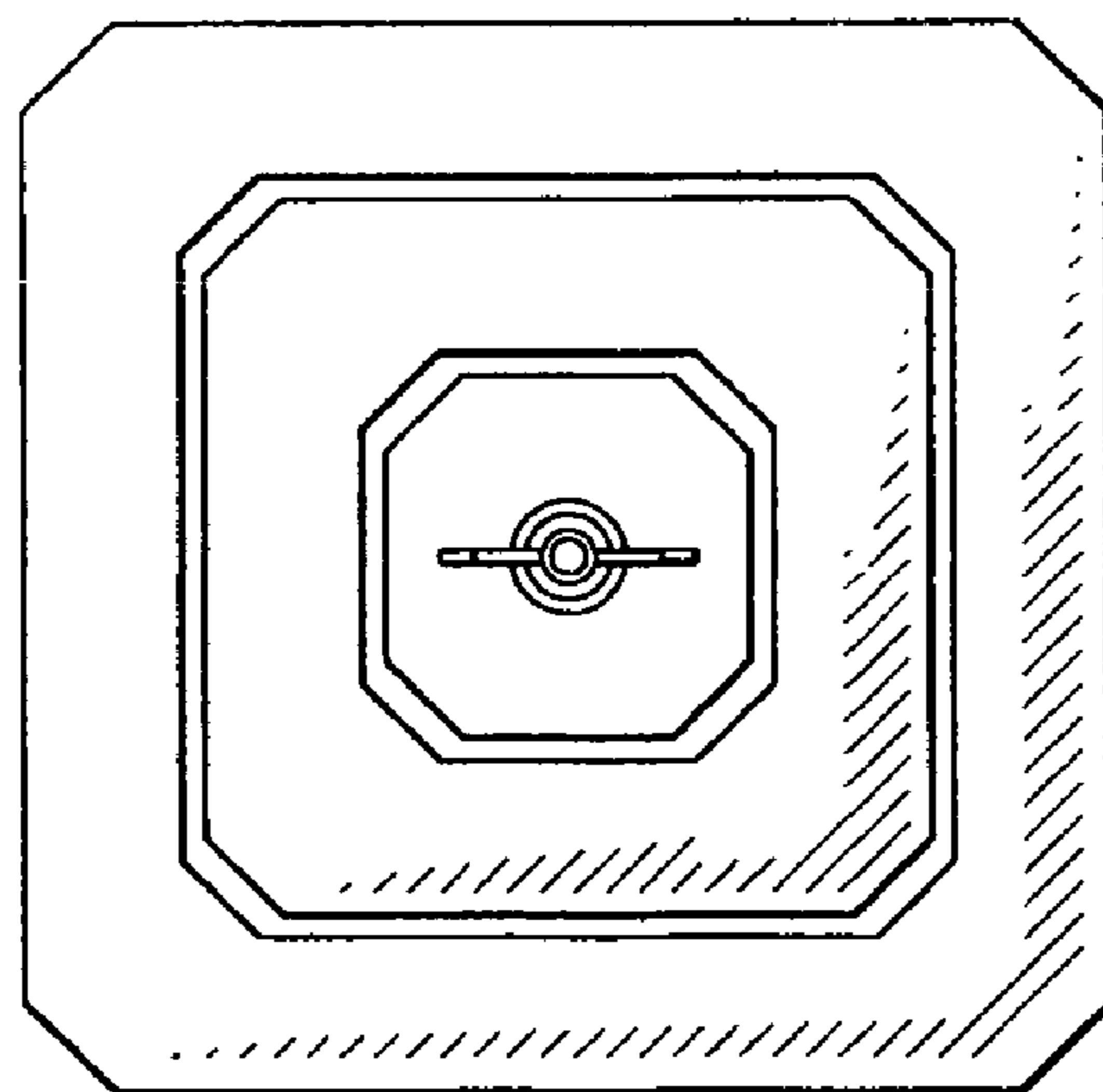


FIG. 12

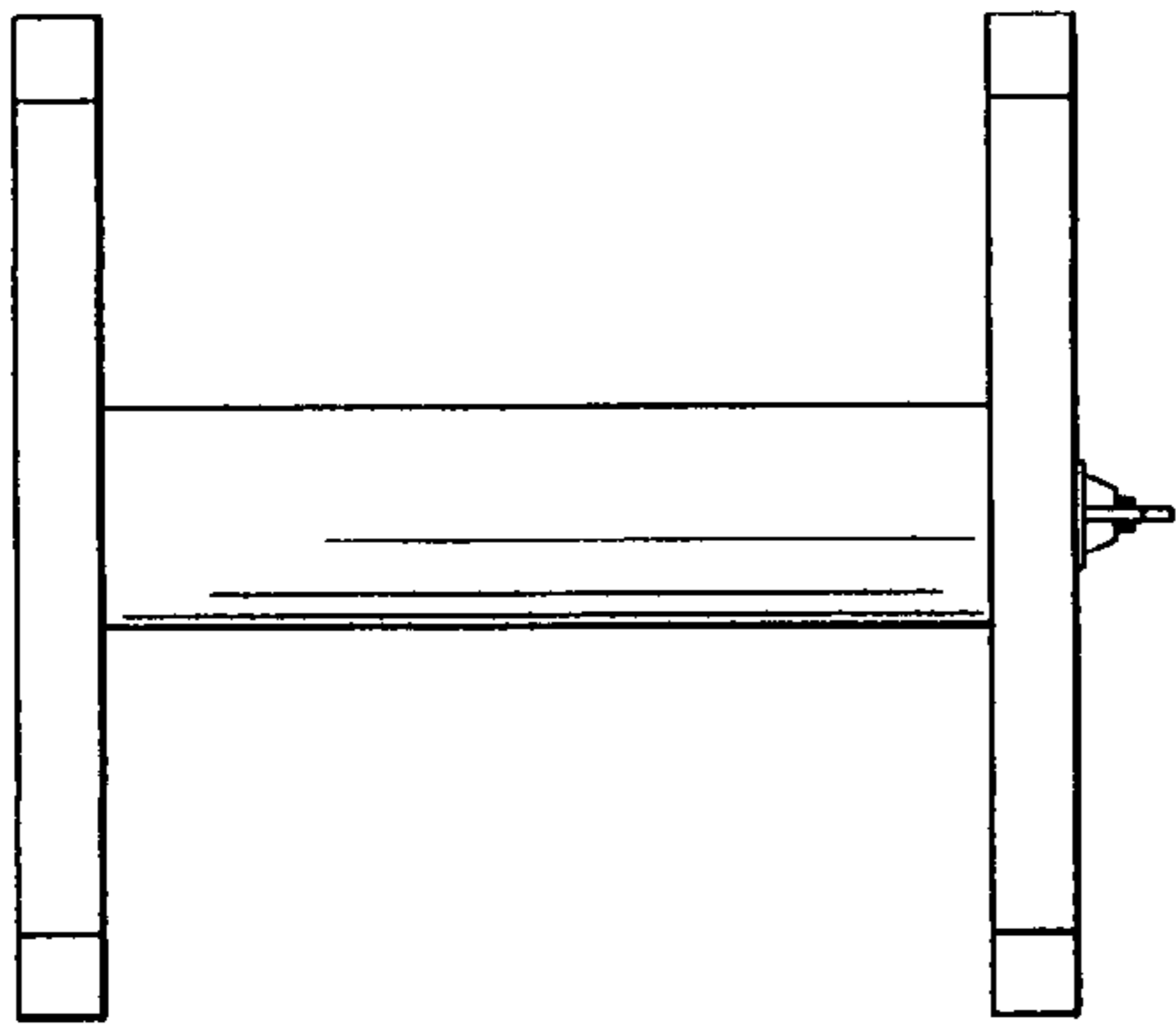


FIG. 13

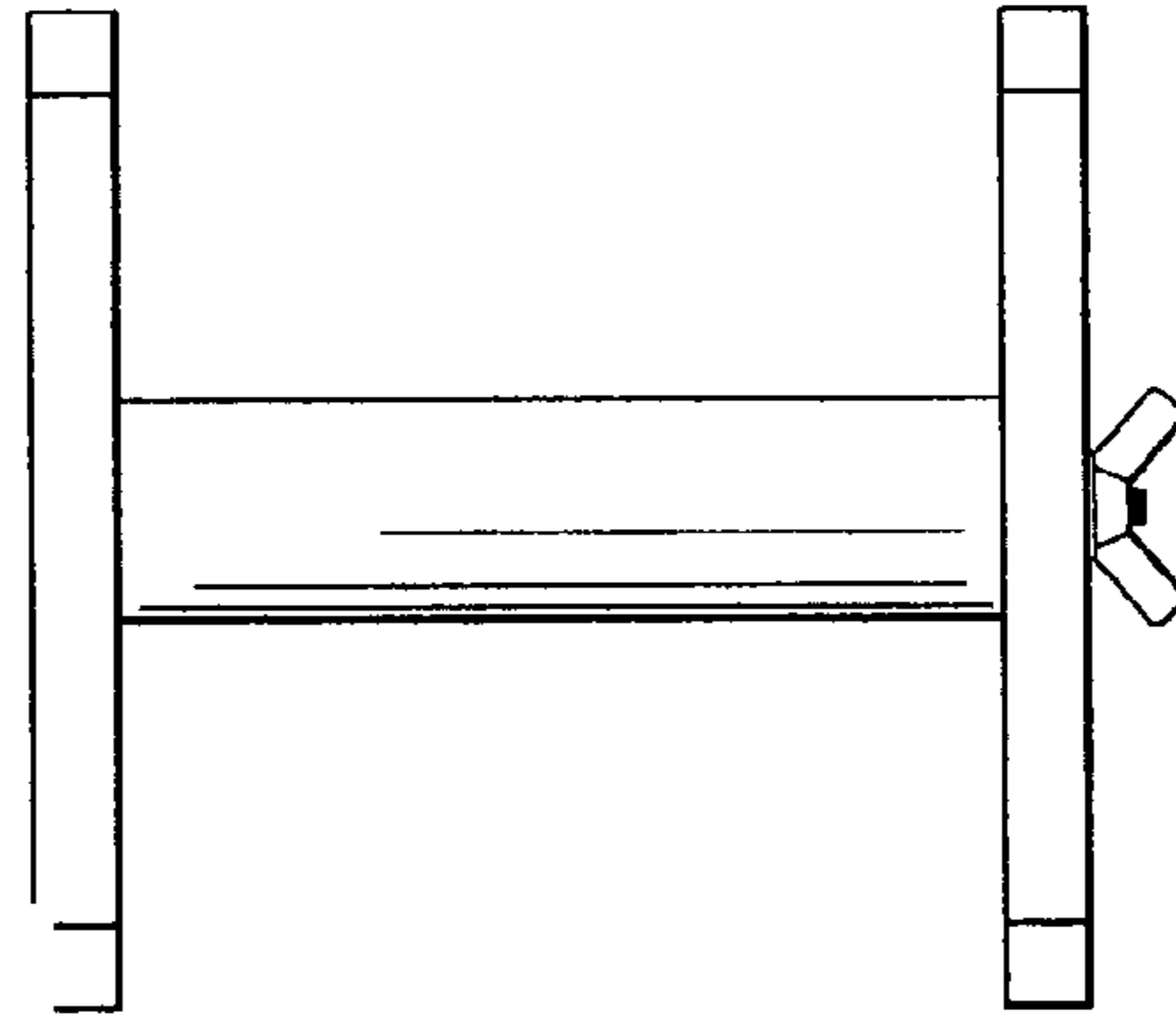


FIG. 15

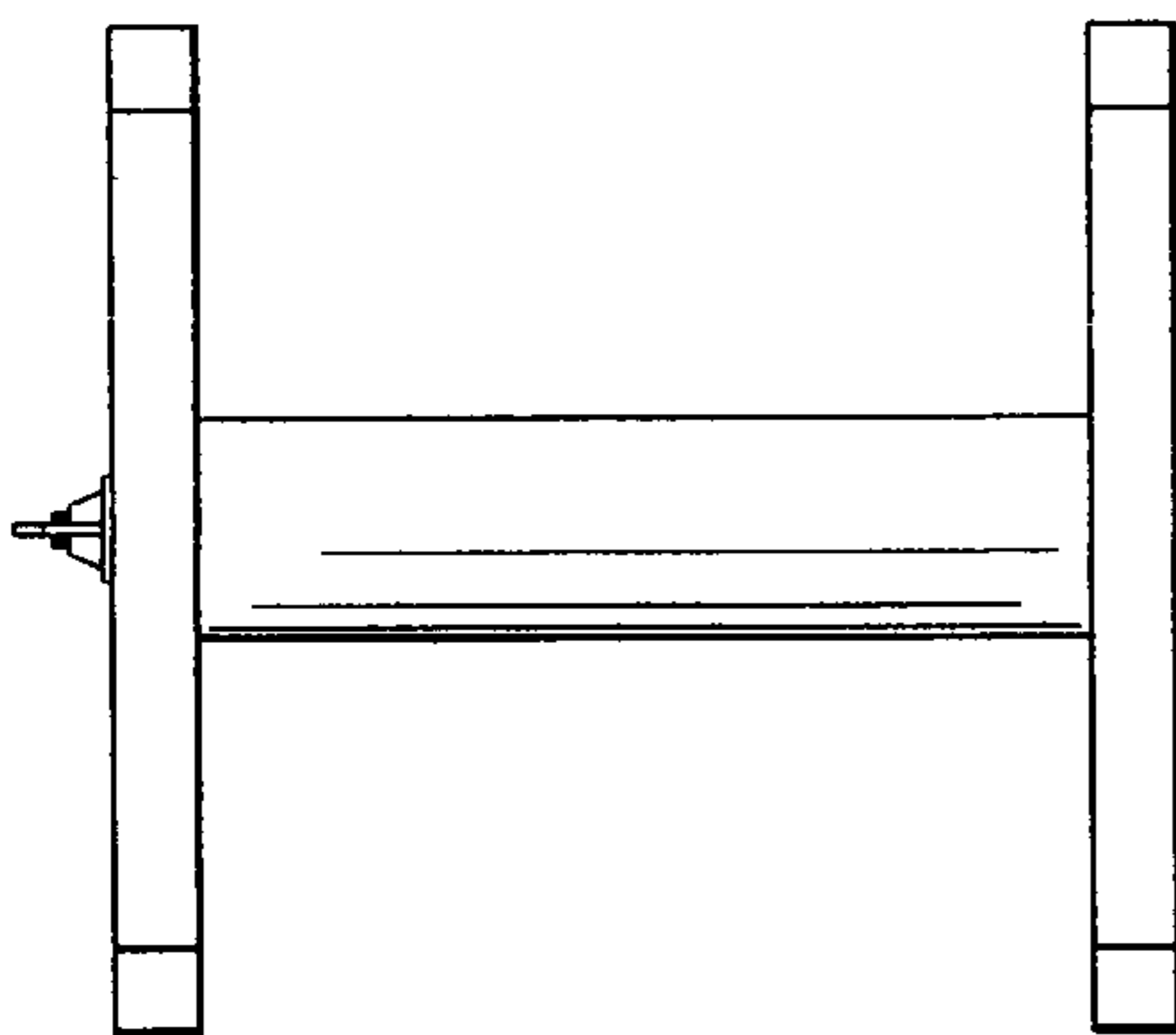


FIG. 14

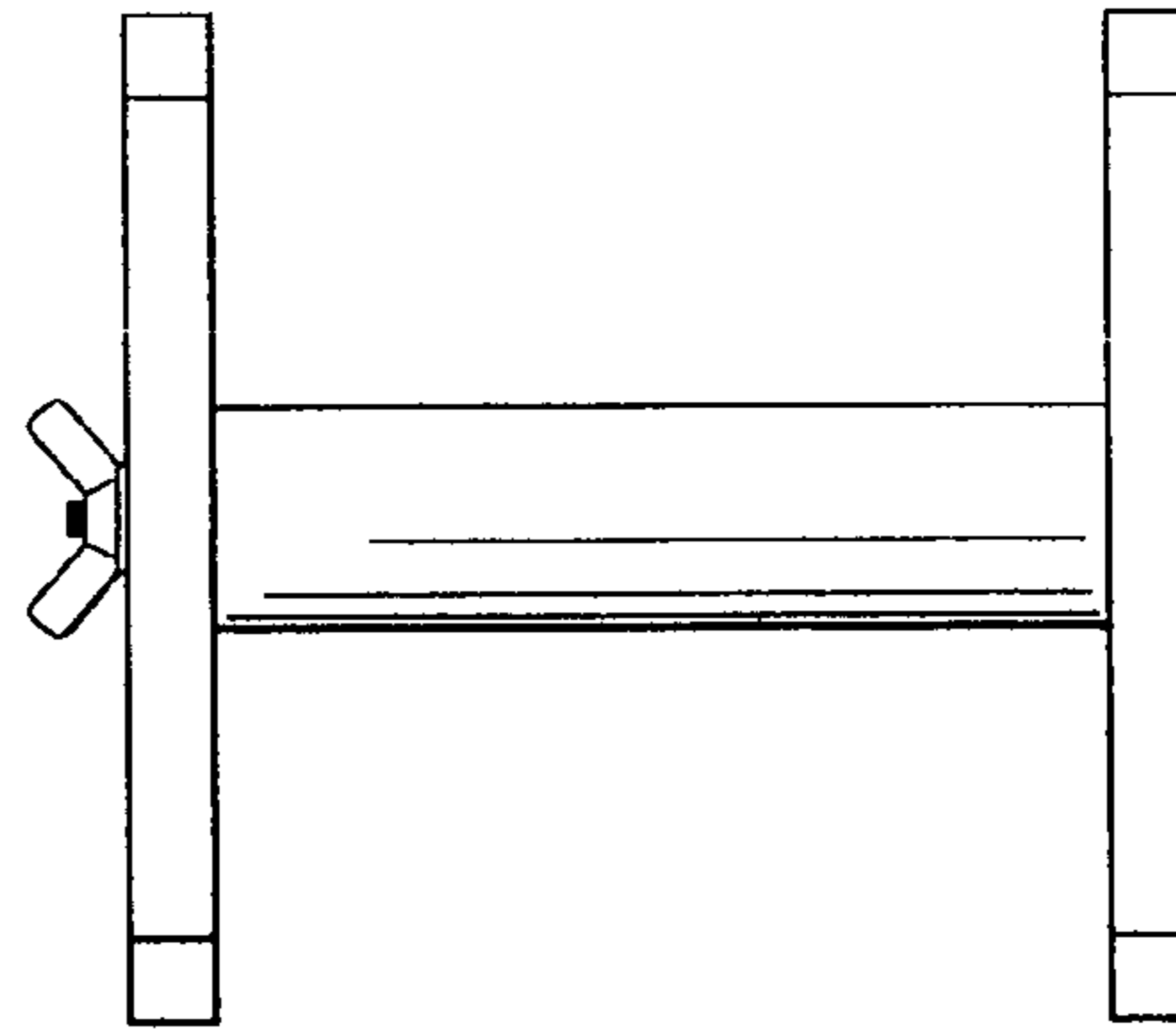


FIG. 16