

US00D549437S

(12) **United States Design Patent**  
**Costantini**

(10) **Patent No.:** **US D549,437 S**

(45) **Date of Patent:** **\*\* Aug. 28, 2007**

(54) **SIDE ELEMENT OF A SHOE UPPER**

(75) Inventor: **Daniela E. Costantini**, Los Angeles, CA (US)

(73) Assignee: **ACI International**, Los Angeles, CA (US)

(\*\*) Term: **14 Years**

(21) Appl. No.: **29/246,549**

(22) Filed: **Apr. 21, 2006**

(51) **LOC (8) Cl.** ..... **02-99**

(52) **U.S. Cl.** ..... **D2/972**

(58) **Field of Classification Search** ..... D2/902,  
D2/906-908, 944, 969, 972-974; 36/45,  
36/50.1, 77 M, 77 R, 83, 88, 113, 114, 126-134  
See application file for complete search history.

(56) **References Cited**

U.S. PATENT DOCUMENTS

D232,200 S *	7/1974	Inohara et al. ....	D2/906
D239,217 S *	3/1976	Lloyd .....	D2/907
D241,383 S *	9/1976	Dollinsky et al. ....	D2/908
D247,267 S *	2/1978	Dolinsky .....	D2/908
D465,910 S *	11/2002	Shepper .....	D2/972
D483,176 S *	12/2003	Adams .....	D2/969
D486,298 S *	2/2004	Adams .....	D2/969
D486,631 S *	2/2004	Adams .....	D2/969
D487,340 S *	3/2004	Costantini .....	D2/972
D490,973 S *	6/2004	Link .....	D2/972
D493,956 S *	8/2004	Costantini .....	D2/972

D516,289 S *	3/2006	Hlavacs .....	D2/972
D520,225 S *	5/2006	Choi .....	D2/972
D521,716 S *	5/2006	Drazic .....	D2/969
D522,224 S *	6/2006	Costantini .....	D2/972

\* cited by examiner

*Primary Examiner*—Dominic Simone

(74) *Attorney, Agent, or Firm*—Greenberg Traurig LLP; Christopher Darrow, Esq.

(57) **CLAIM**

The ornamental design for an side element of a shoe upper, as shown and described.

**DESCRIPTION**

FIG. 1 is a side elevational view of a first embodiment of an side element of a shoe upper showing the new design;

FIG. 2 is a side elevational view of an alternate embodiment of the shoe upper showing the new design;

FIG. 3 is a perspective view of the first embodiment of the shoe upper of the new design; and,

FIG. 4 is a perspective view of the alternative embodiment.

The even broken lines in FIGS. 1 and 4 represent design elements. The uneven broken lines in all figures surrounding the design element represent the bounds of the claimed design. The uneven broken lines in all figures showing the remainder of the shoe are for illustrative purposes only and form no part of the claimed design.

**1 Claim, 2 Drawing Sheets**

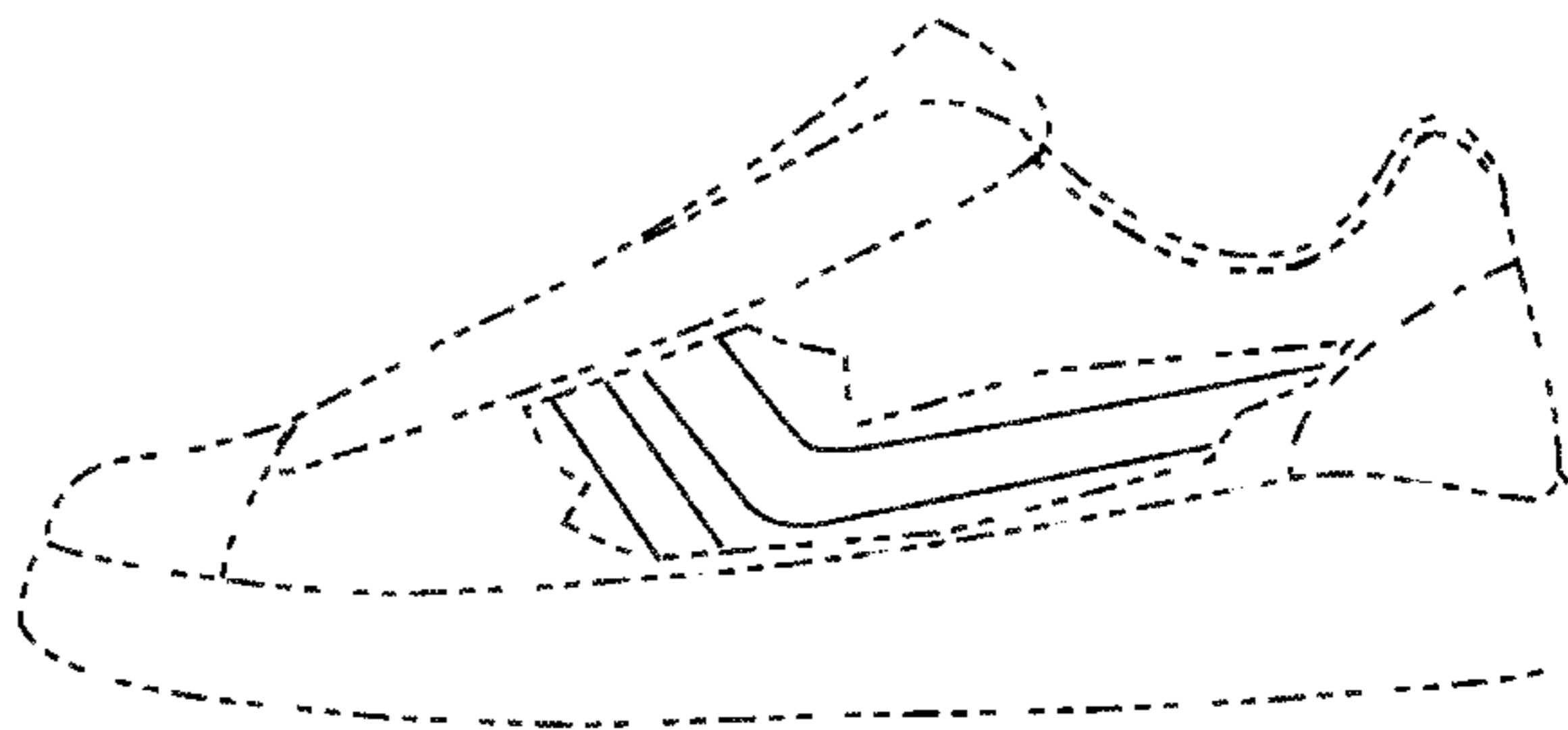
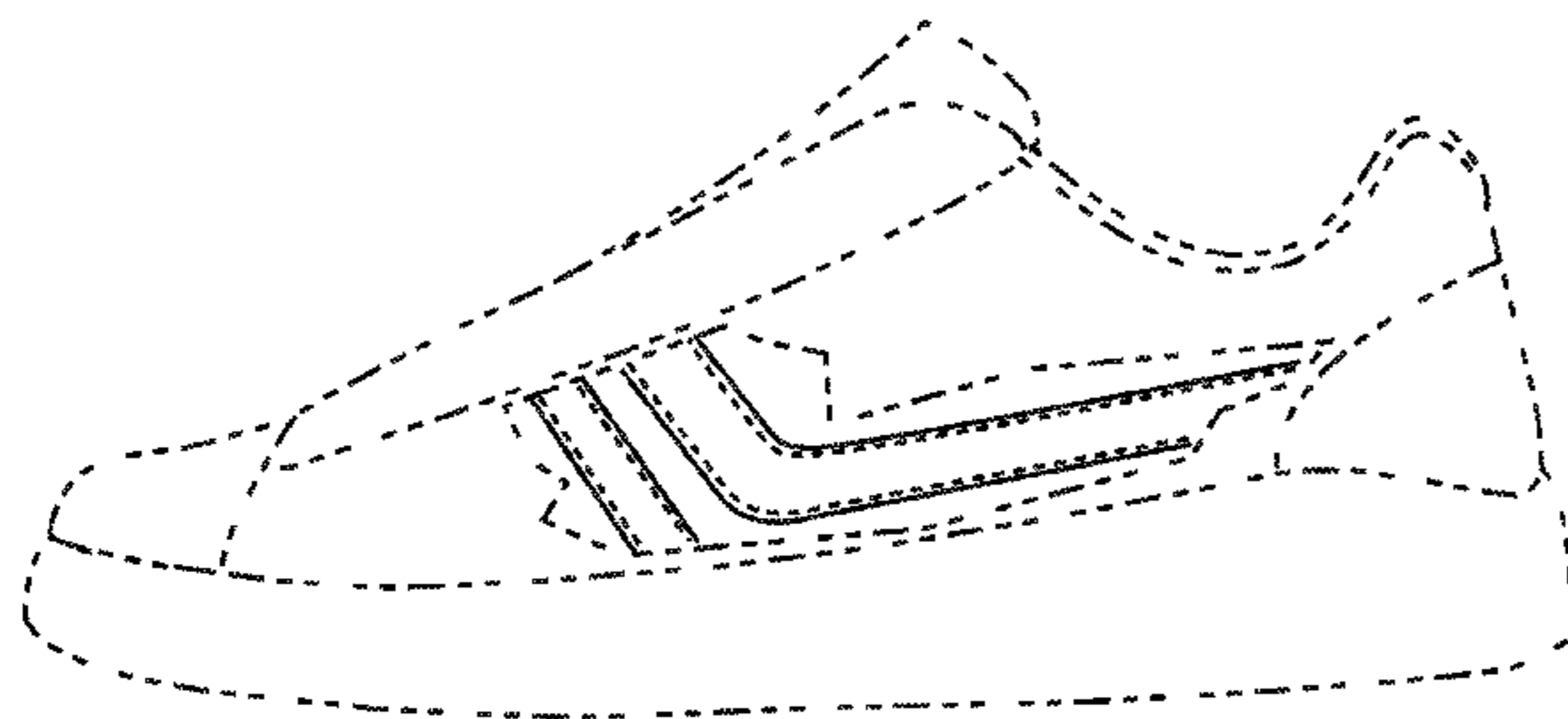


FIG. 1

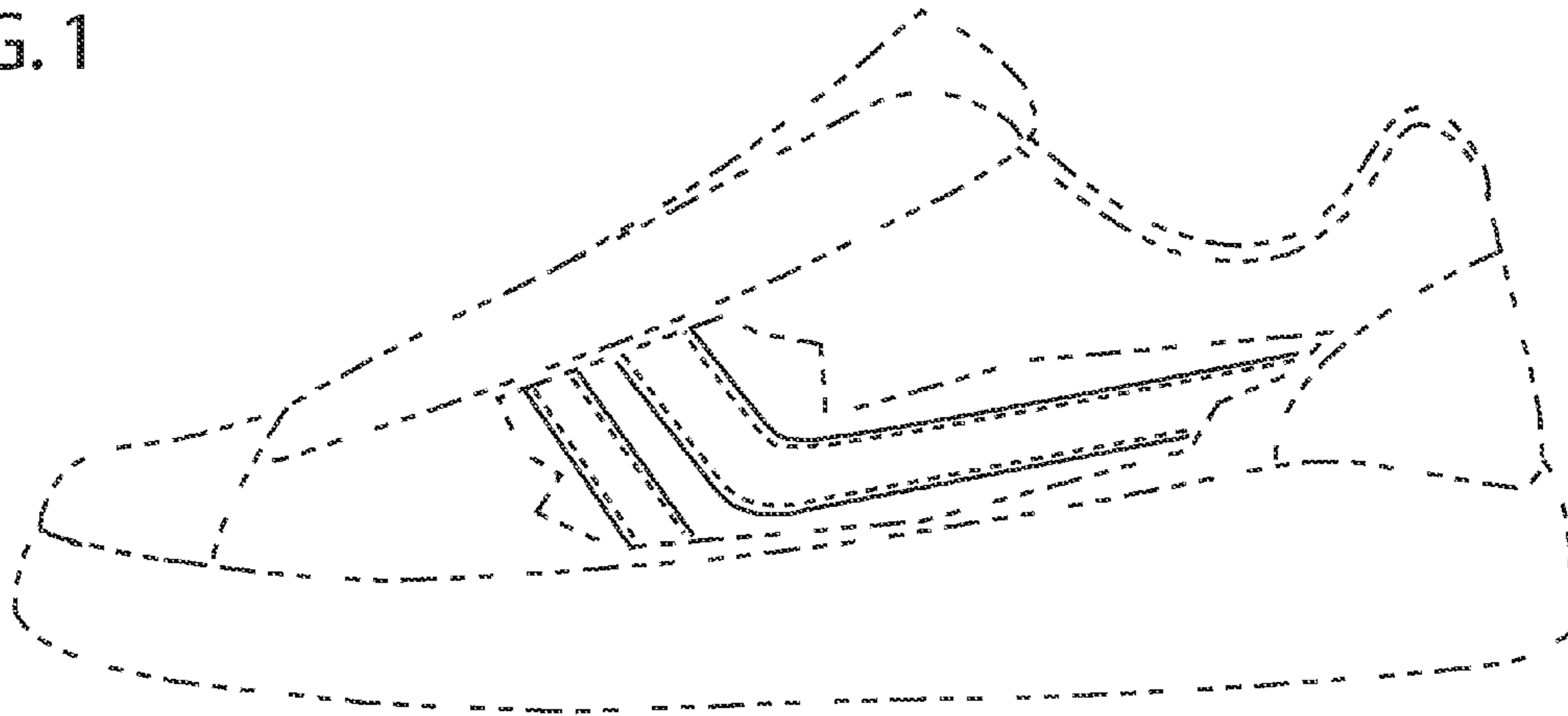


FIG. 2

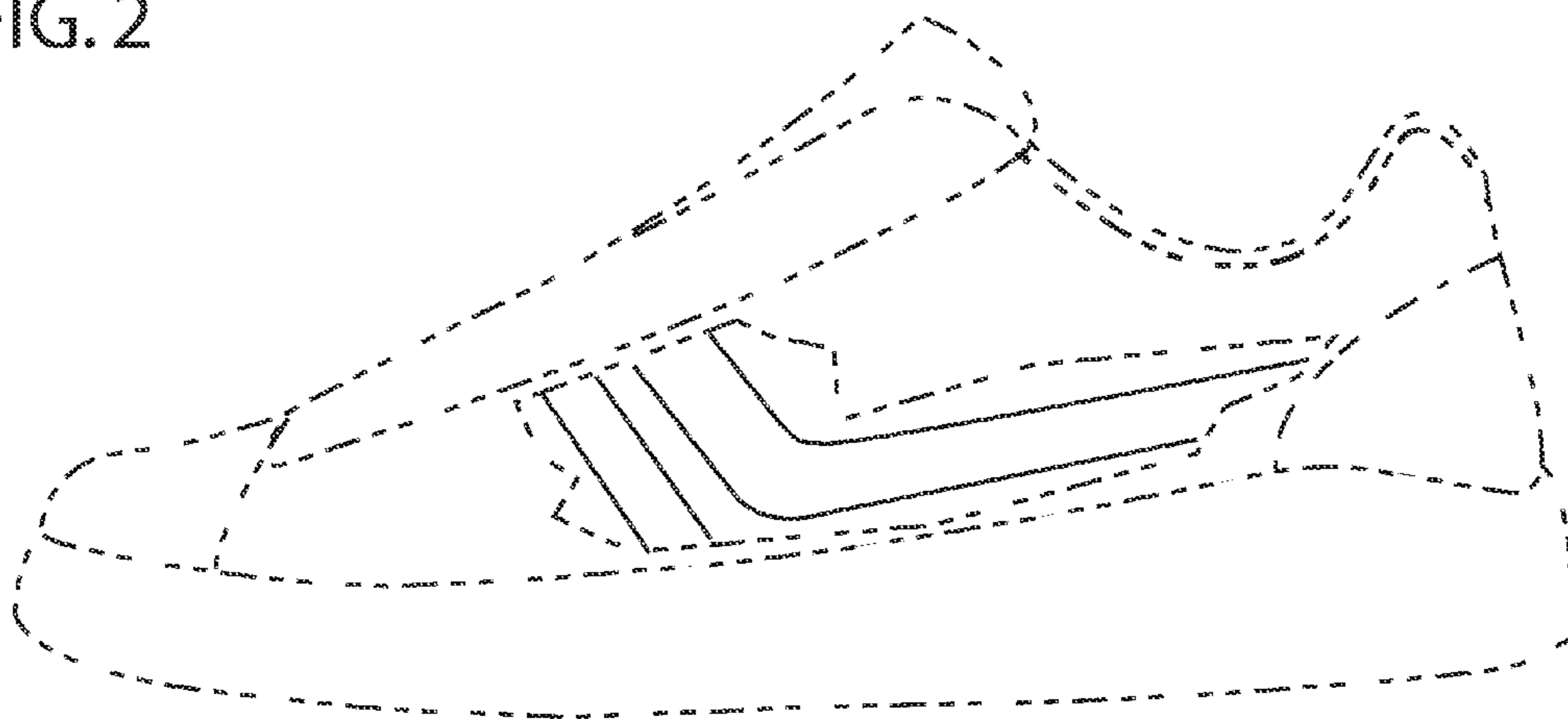


FIG. 3

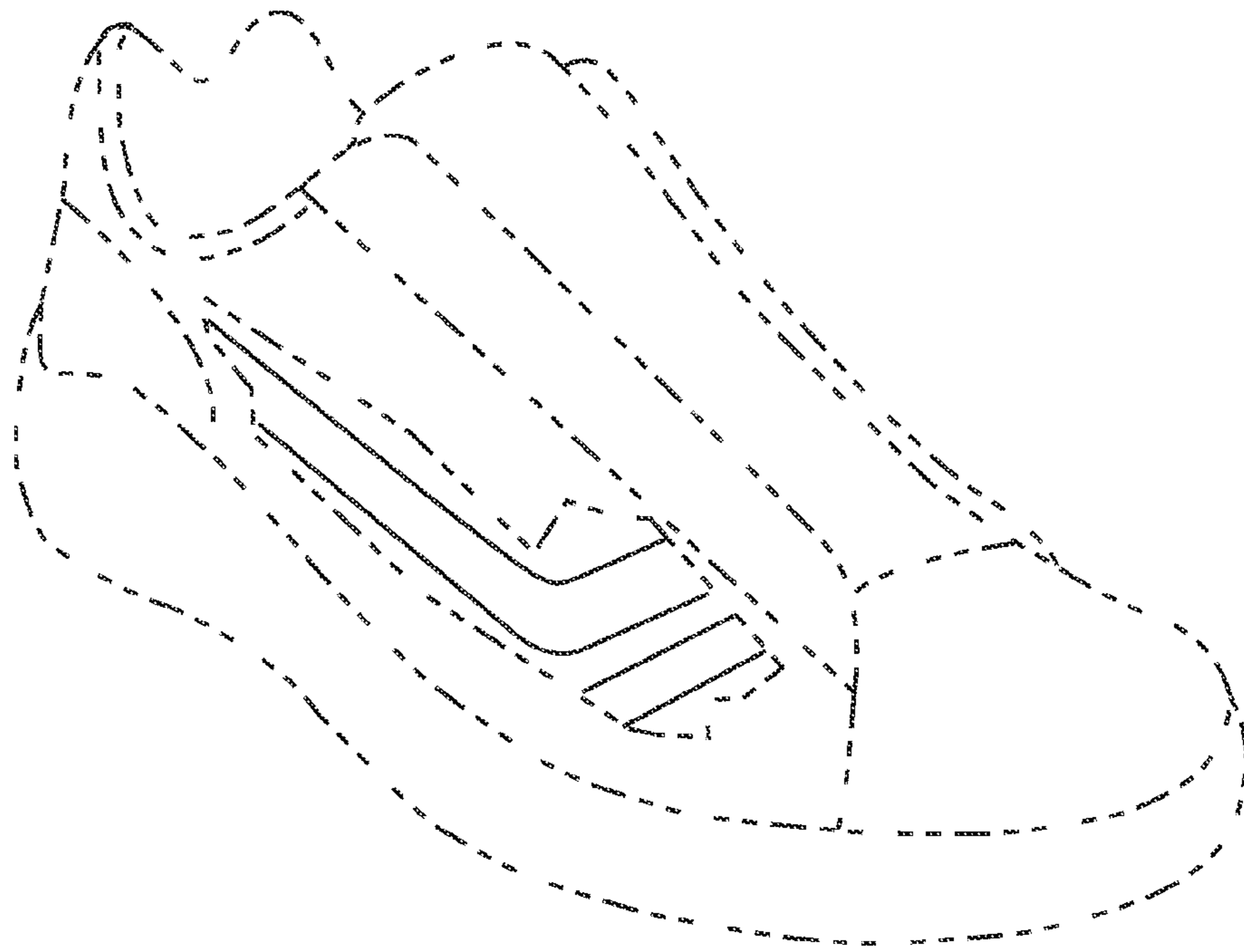


FIG. 4

