

US00D549434S

(12) **United States Design Patent**  
**Seamans**

(10) **Patent No.:** **US D549,434 S**

(45) **Date of Patent:** **\*\* Aug. 28, 2007**

(54) **FOOTWEAR UPPER**

D492,841 S \* 7/2004 Magro ..... D2/926  
D493,611 S \* 8/2004 Chen ..... D2/969

(75) Inventor: **Scott Seamans**, Boulder, CO (US)

**OTHER PUBLICATIONS**

(73) Assignee: **Crocs, Inc.**, Niwot, CO (US)

Examiner's Report, Canadian Industrial Design Application No. 112860, Canadian Intellectual Property Office, Feb. 14, 2007 (2 pages).

(\*\*) Term: **14 Years**

\* cited by examiner

(21) Appl. No.: **29/226,792**

*Primary Examiner*—Dominic Simone

(22) Filed: **Mar. 31, 2005**

(74) *Attorney, Agent, or Firm*—Faegre & Benson LLP

(51) **LOC (8) Cl.** ..... **02-99**

(52) **U.S. Cl.** ..... **D2/969**

(57) **CLAIM**

(58) **Field of Classification Search** ..... D2/902,  
D2/903, 907, 908, 919, 923, 926, 943, 944,  
D2/969, 972-974; 36/45, 50.1, 77 M, 77 R,  
36/83, 88, 113, 114, 123-131, 4, 8.1  
See application file for complete search history.

The ornamental design for footwear upper, as shown and described.

**DESCRIPTION**

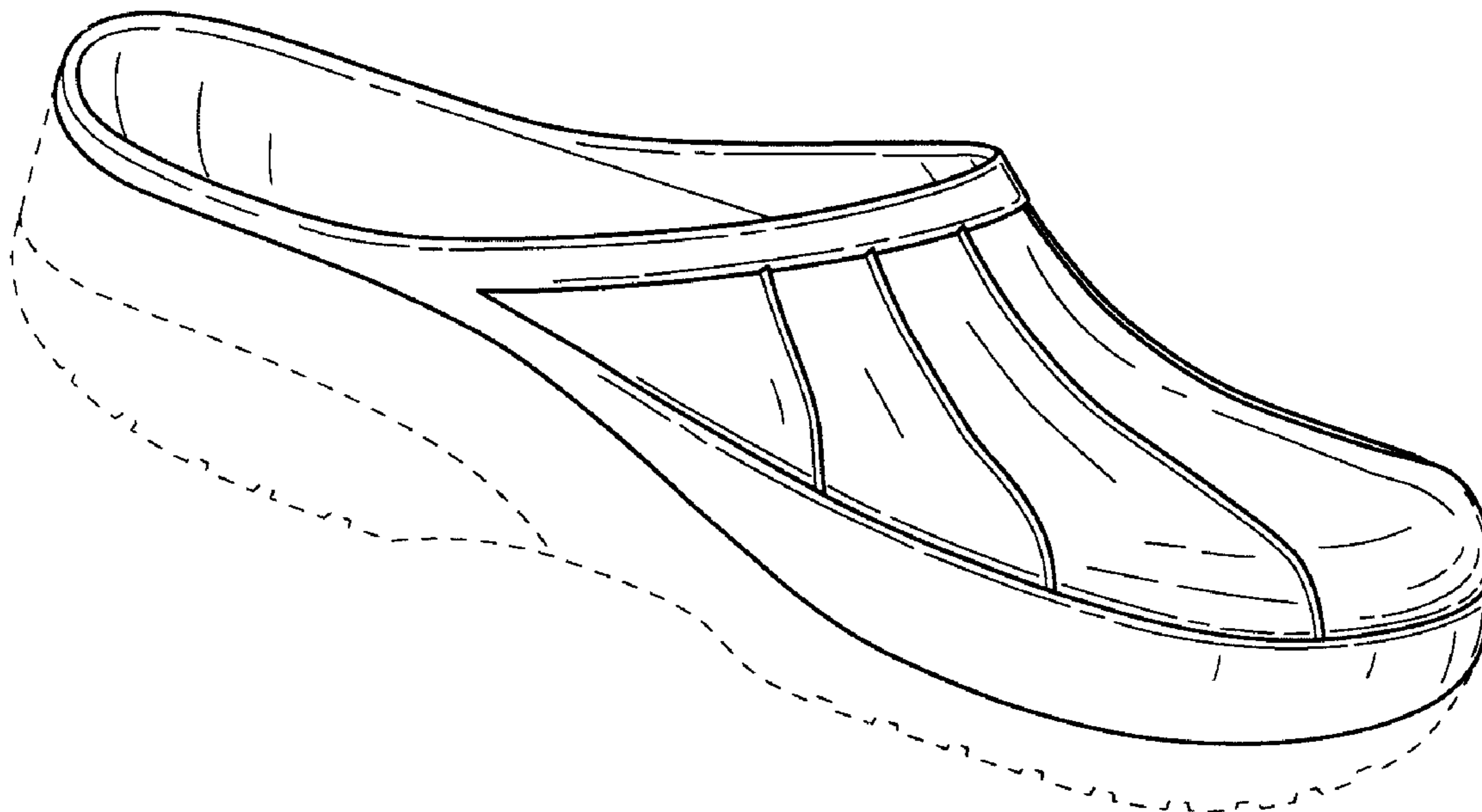
(56) **References Cited**

FIG. 1 is a front perspective view.  
FIG. 2 is an outer side view.  
FIG. 3 is an inner view  
FIG. 4 is a front view.  
FIG. 5 is a rear view.  
FIG. 6 is a top view; and,  
FIG. 7 is a bottom view.

**U.S. PATENT DOCUMENTS**

D155,956 S \* 11/1949 Wood ..... D2/969  
D368,797 S \* 4/1996 Brooks et al. .... D2/969  
D428,239 S \* 7/2000 Plamondon ..... D2/908  
D479,034 S \* 9/2003 Tzenos ..... D2/926  
D492,095 S \* 6/2004 Sanchez et al. .... D2/908  
D492,096 S \* 6/2004 Sanchez et al. .... D2/908

**1 Claim, 4 Drawing Sheets**



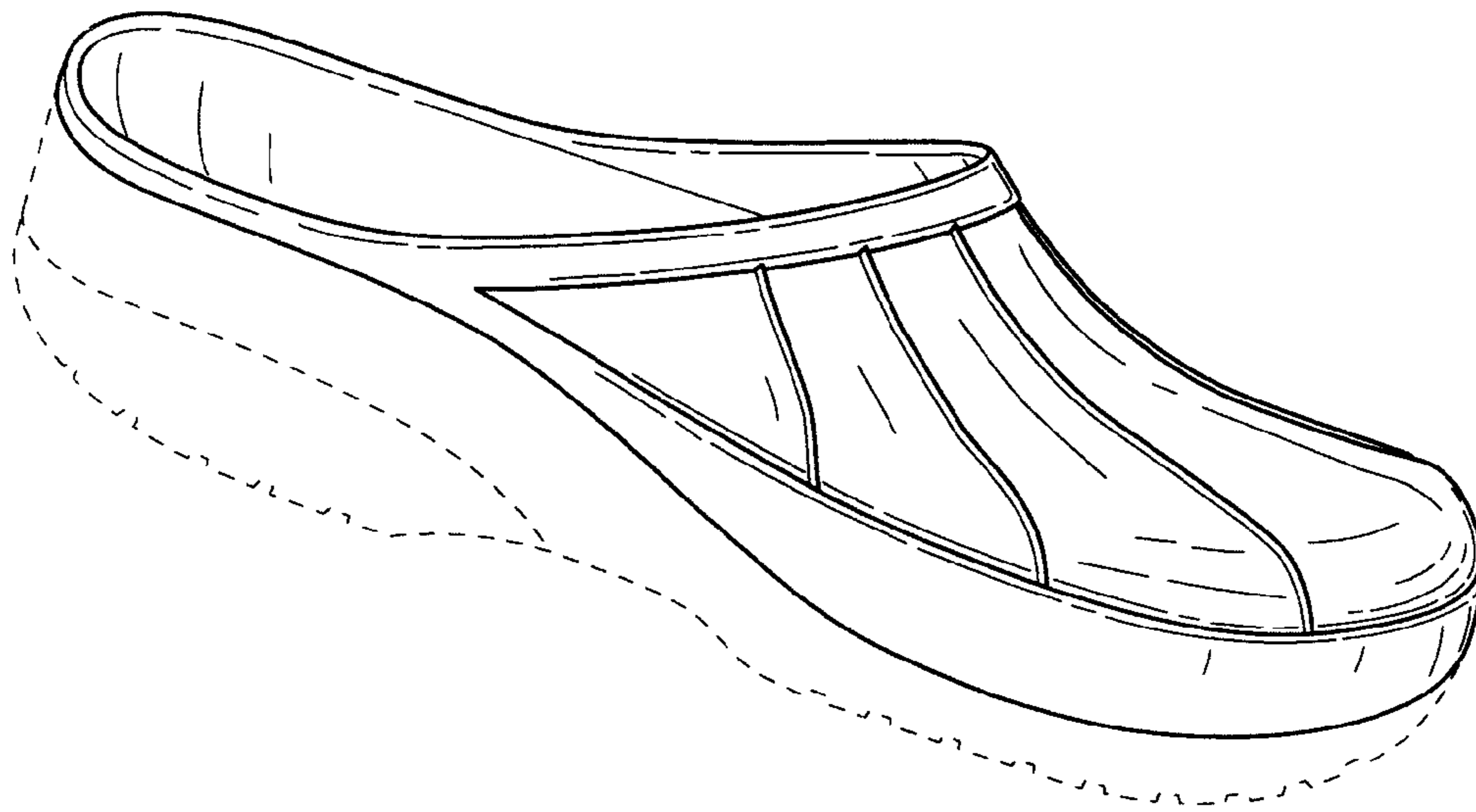


FIG.1

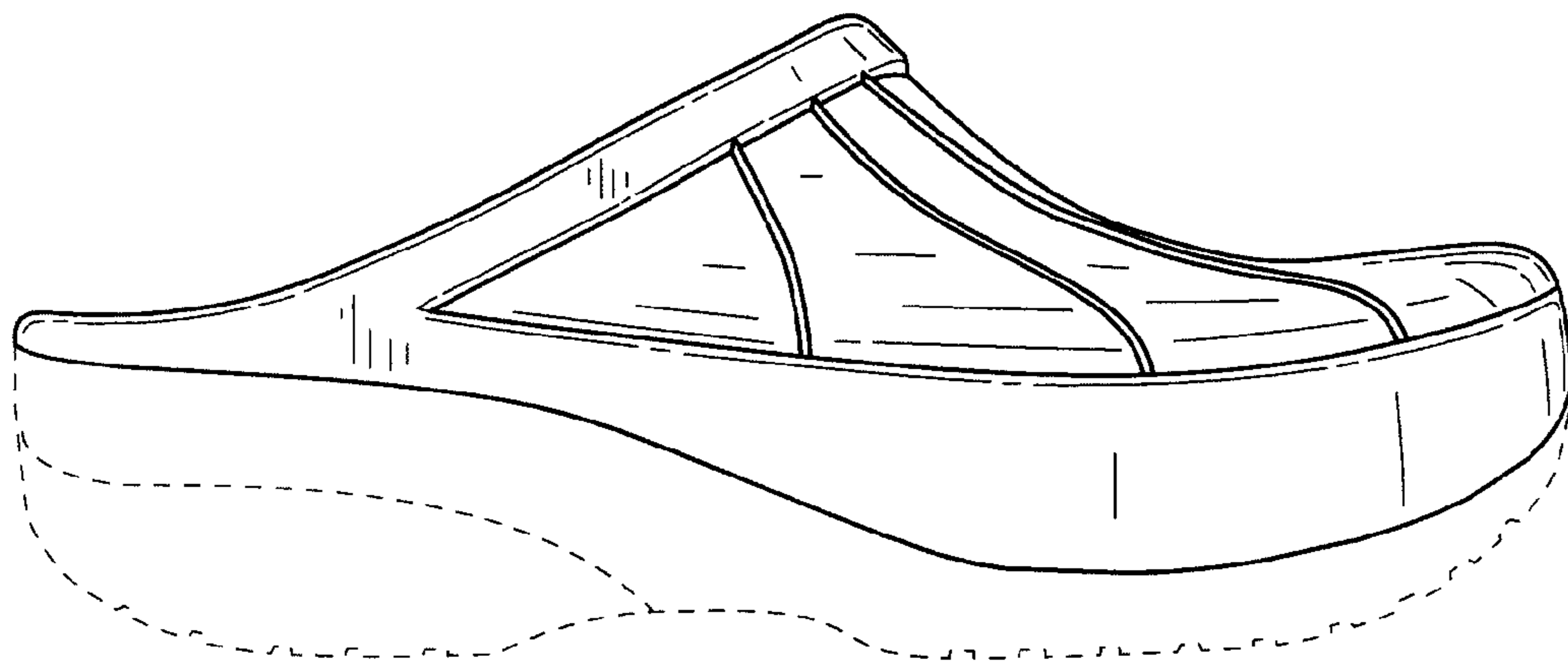


FIG. 2

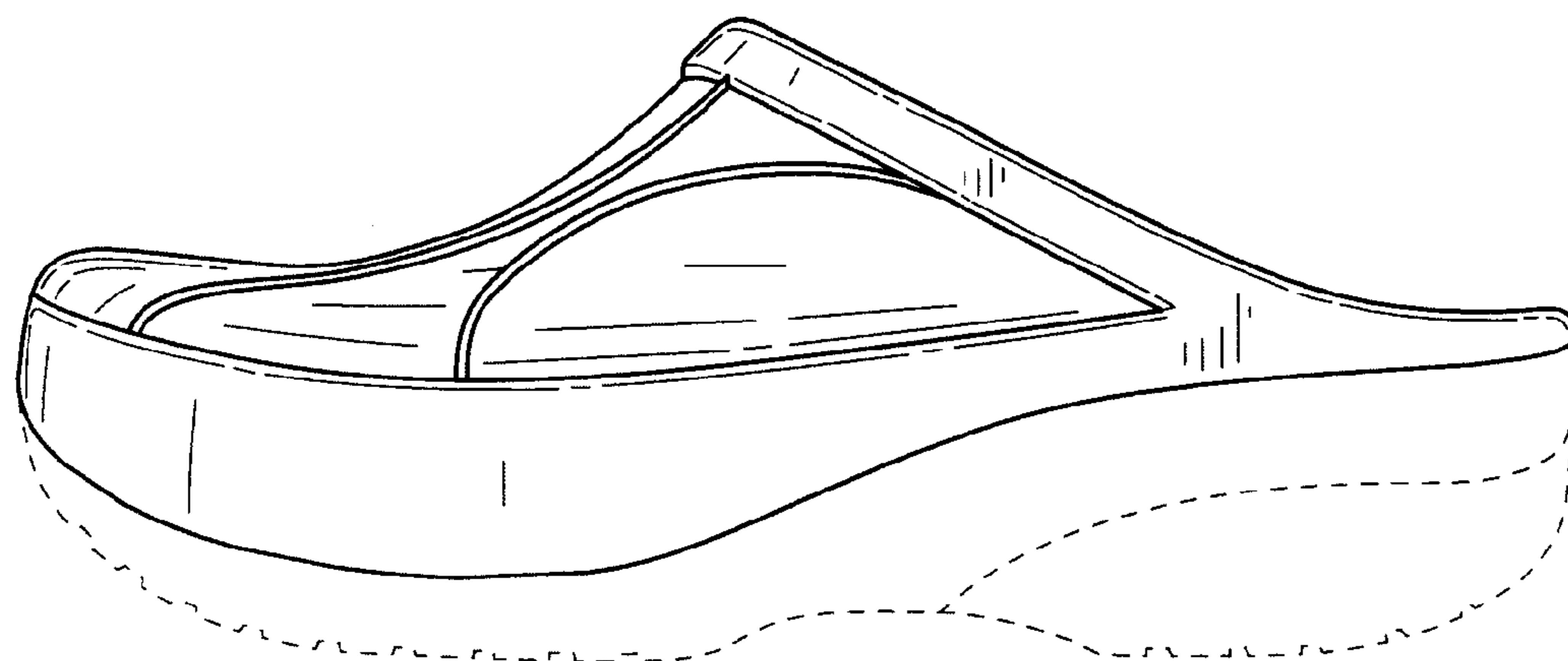


FIG. 3

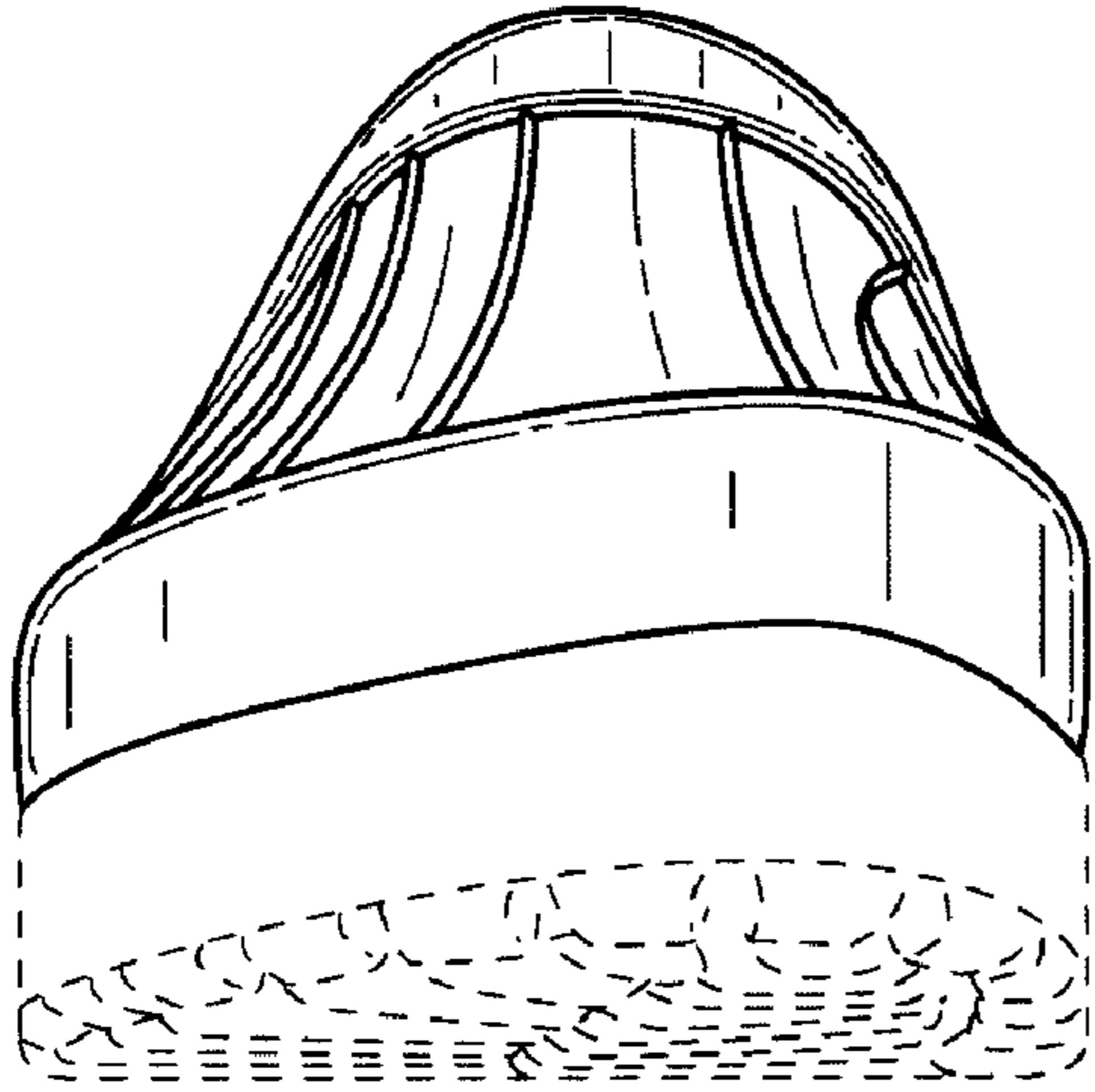


FIG.4

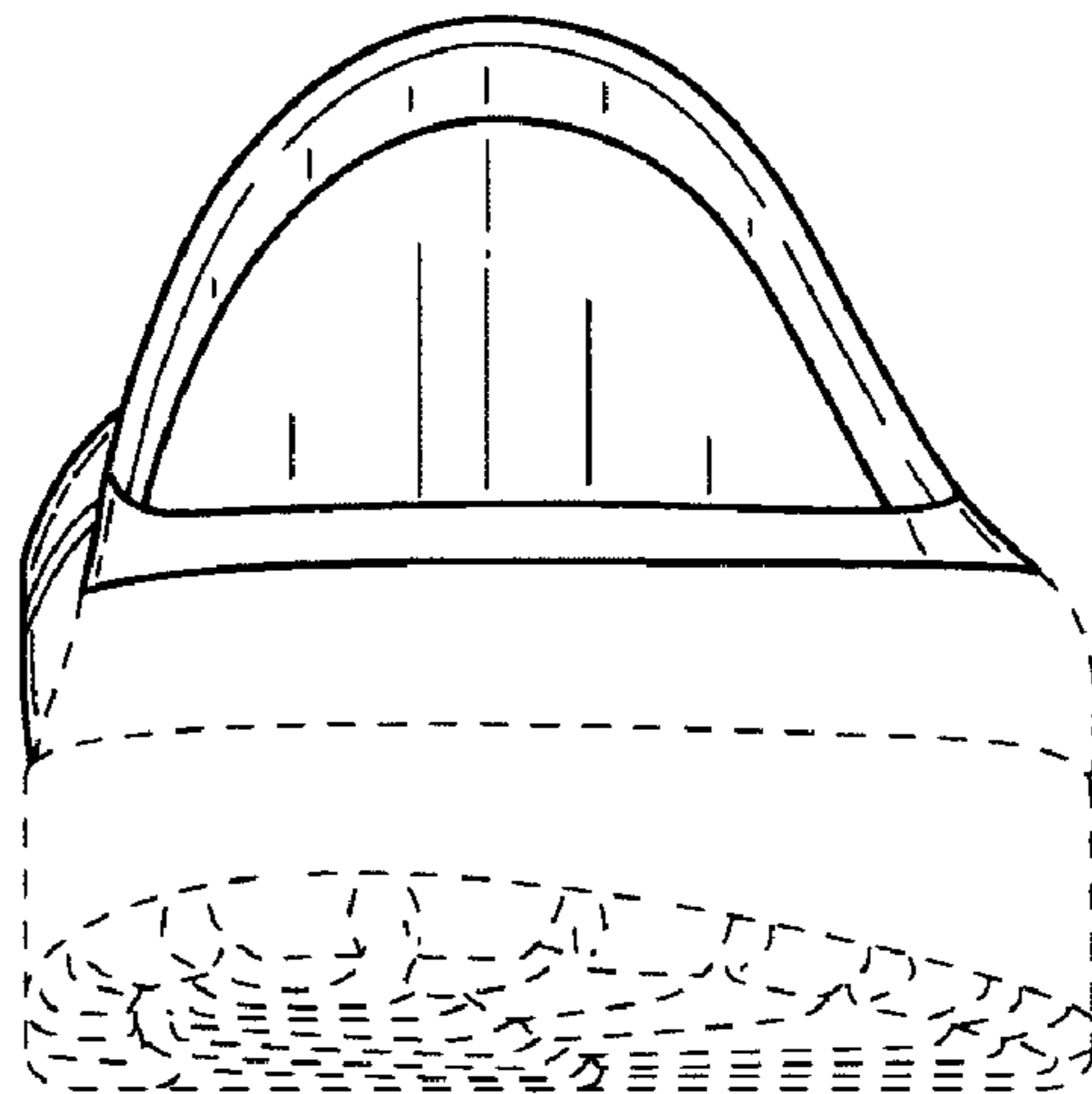


FIG.5

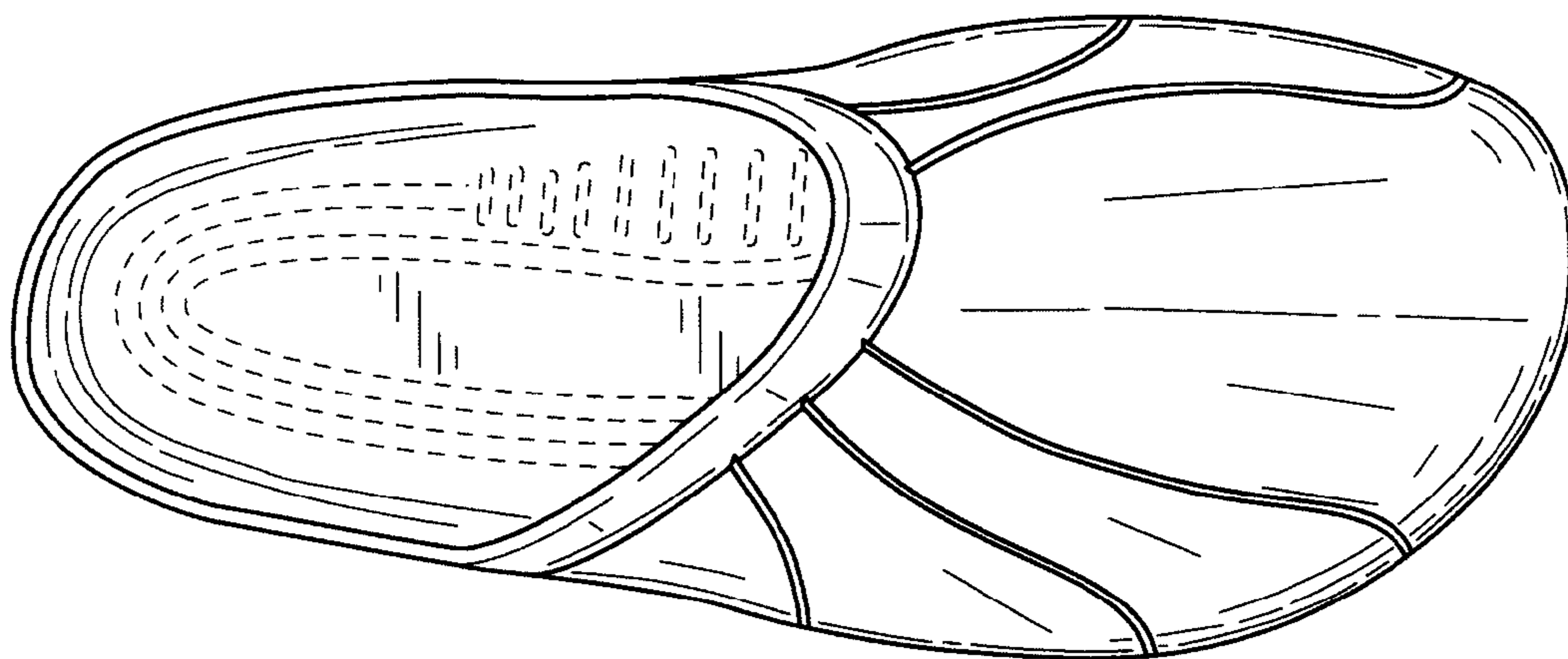


FIG.6

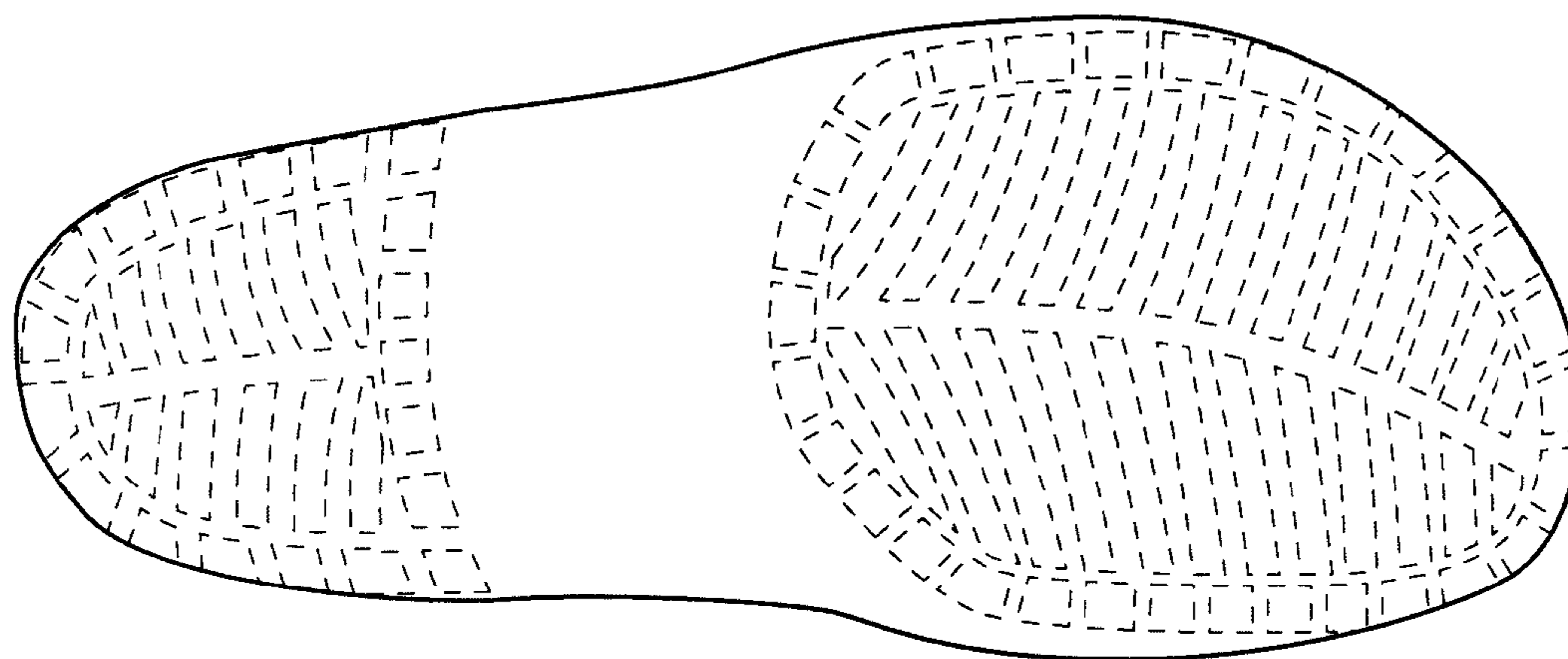


FIG.7