

US00D549429S

(12) **United States Design Patent**  
**Norton**

(10) **Patent No.:** **US D549,429 S**

(45) **Date of Patent:** **\*\* Aug. 28, 2007**

(54) **FOOTWEAR**

(75) Inventor: **Douglas E. Norton**, Scarborough, ME  
(US)

(73) Assignee: **32north Corporation**, Biddeford, ME  
(US)

(\*\*) Term: **14 Years**

(21) Appl. No.: **29/248,933**

(22) Filed: **Sep. 12, 2006**

(51) **LOC (8) Cl.** ..... **02-04**

(52) **U.S. Cl.** ..... **D2/914**

(58) **Field of Classification Search** ..... D2/896,  
D2/897, 904-916, 923, 943, 947-962, 969;  
36/3 R, 4, 10, 7.6, 9 A, 11.5, 45, 115, 124  
See application file for complete search history.

(56) **References Cited**

**U.S. PATENT DOCUMENTS**

1,469,619 A *	10/1923	Byrd	.....	36/7.6
1,487,390 A *	3/1924	King	.....	36/7.6
D293,160 S *	12/1987	Le Droit	.....	D2/962
D299,285 S *	1/1989	Watson	.....	D2/962
D313,111 S *	12/1990	McKinstry	.....	D2/962

D348,763 S *	7/1994	Judd et al.	.....	D2/916
D407,544 S *	4/1999	Kenser	.....	D2/962
D411,240 S *	6/1999	Risko	.....	D2/916

\* cited by examiner

*Primary Examiner*—Stella Reid

*Assistant Examiner*—Rashida C. McCoy

(74) *Attorney, Agent, or Firm*—Strategic Patents, P.C.

(57) **CLAIM**

The ornamental design for footwear, as shown and described.

**DESCRIPTION**

FIG. 1 is a bottom perspective view of footwear showing my new design.

FIG. 2 is a bottom view of the design.

FIG. 3 is a top view of the design.

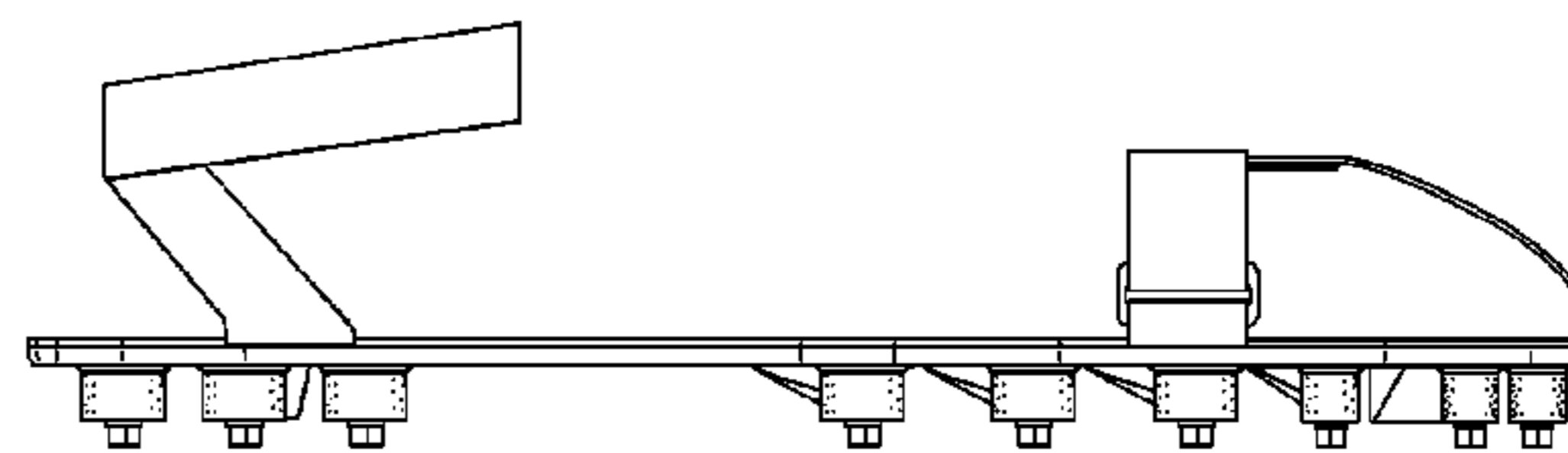
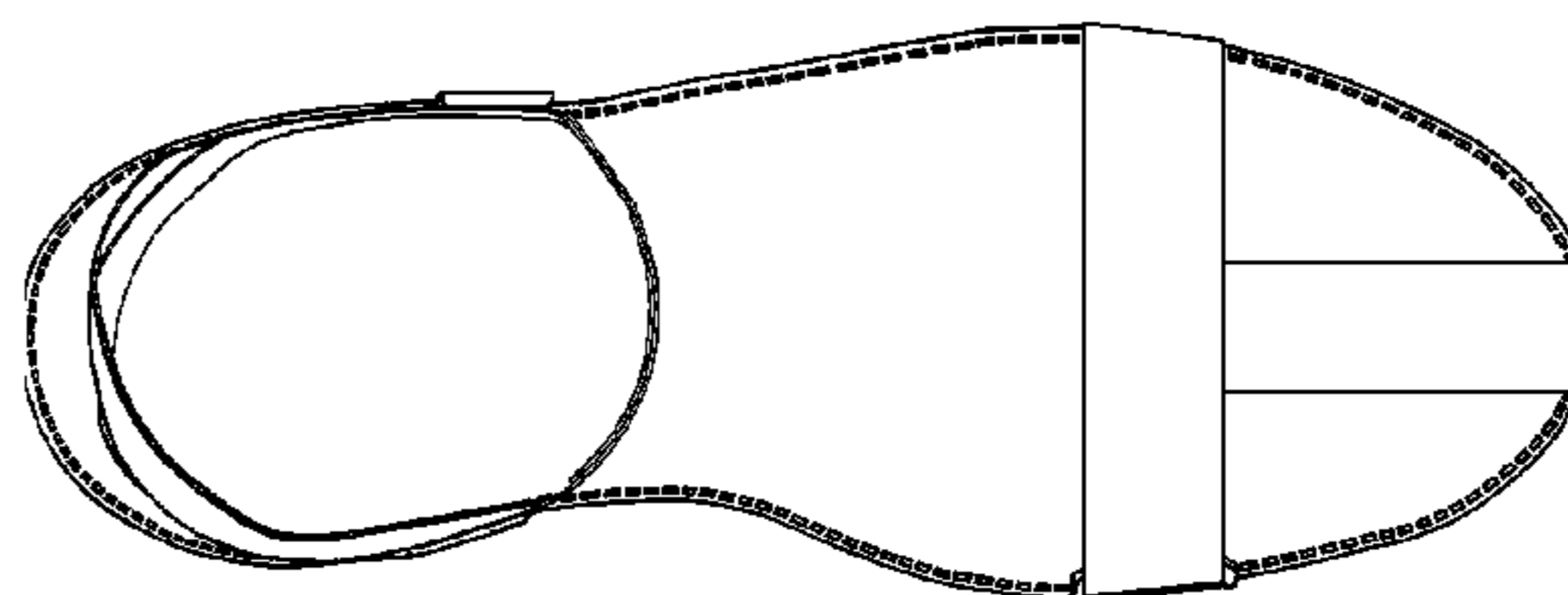
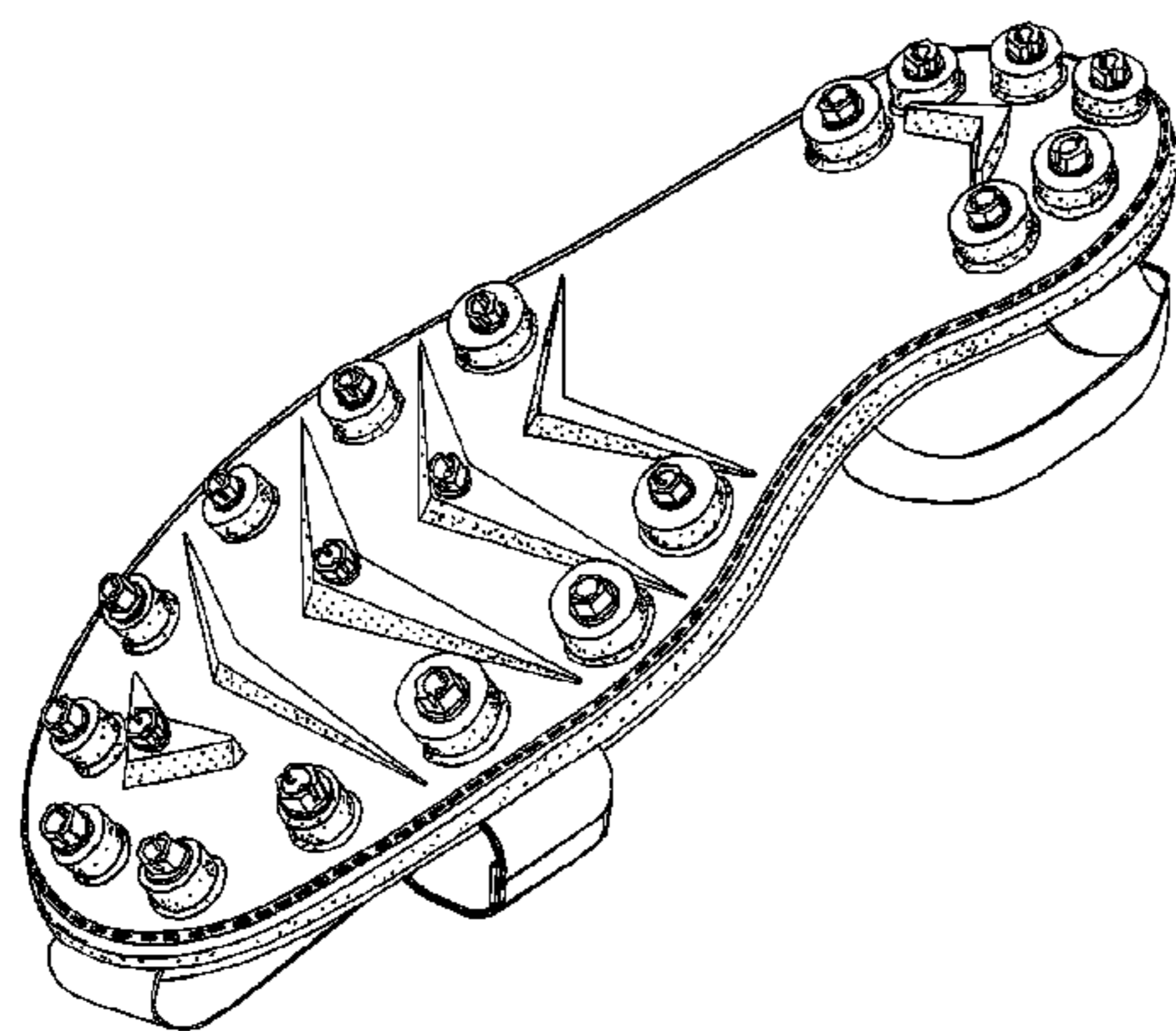
FIG. 4 is a right side view of the design.

FIG. 5 is a left side view of the design.

FIG. 6 is a front view of the design; and,

FIG. 7 is a back view of the design.

**1 Claim, 3 Drawing Sheets**



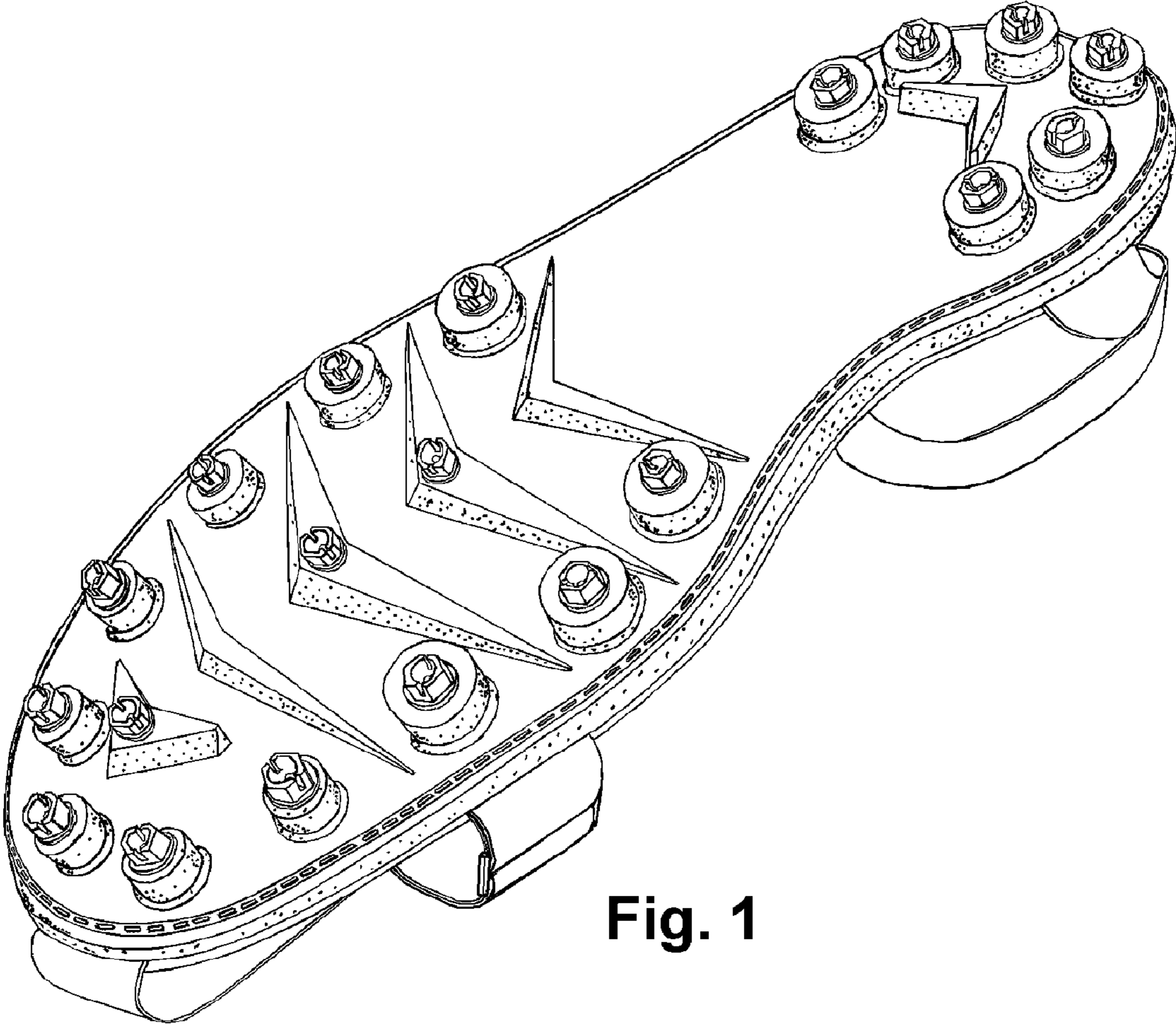
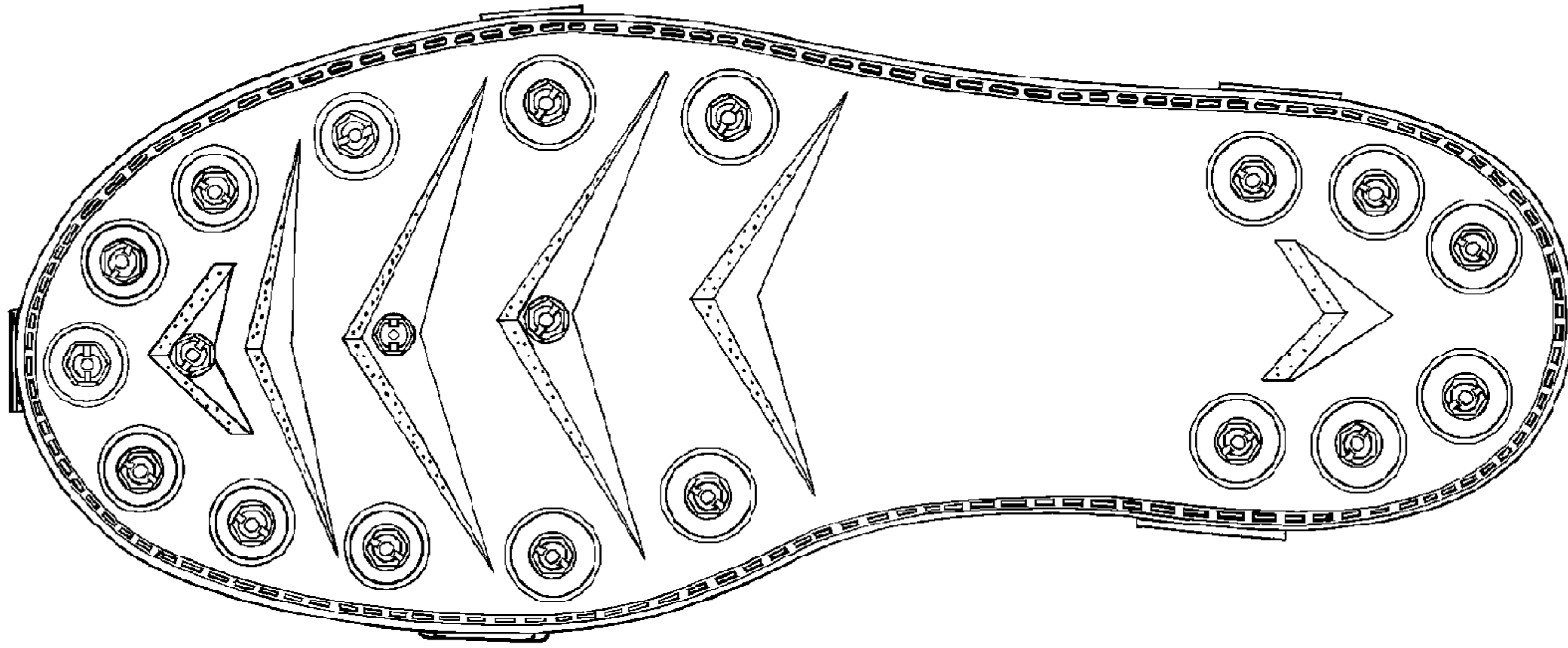
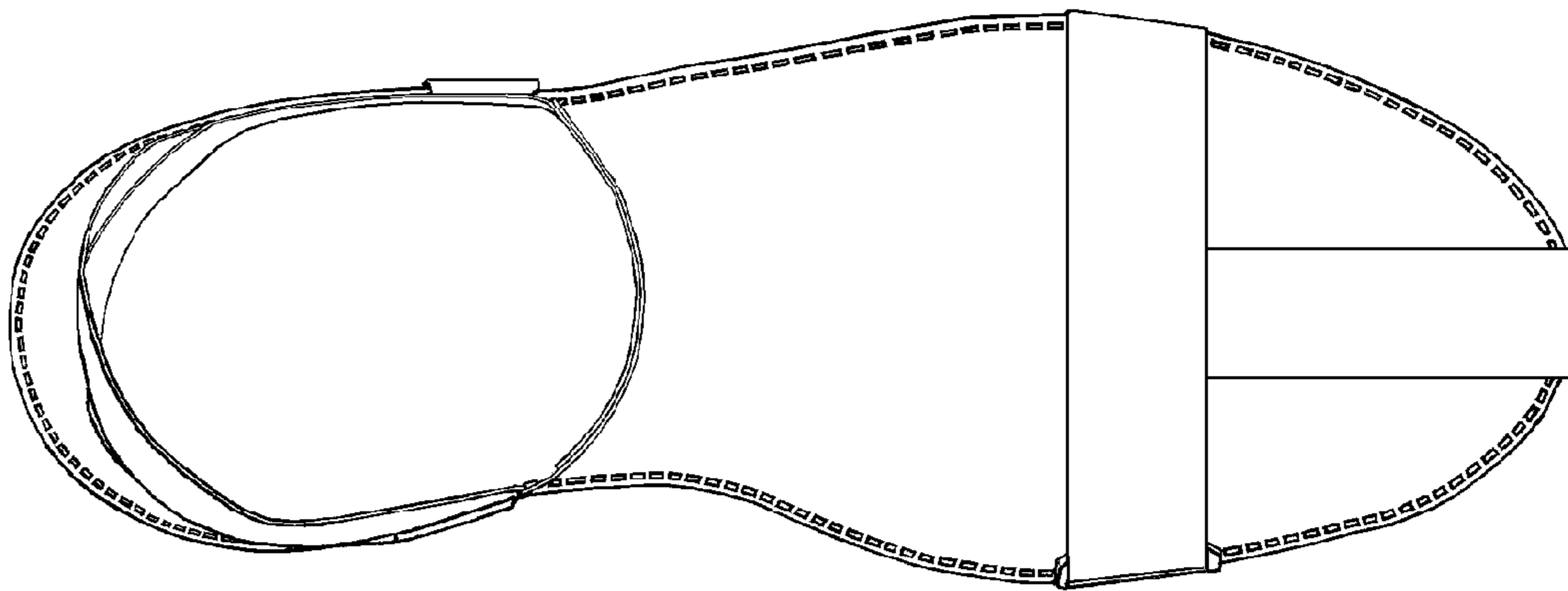


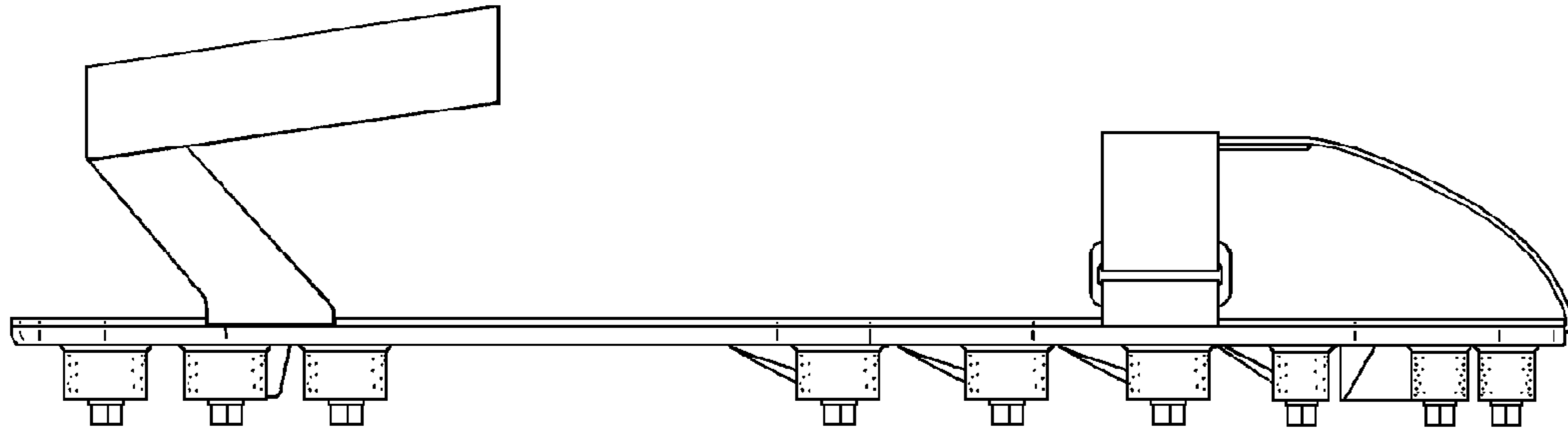
Fig. 1



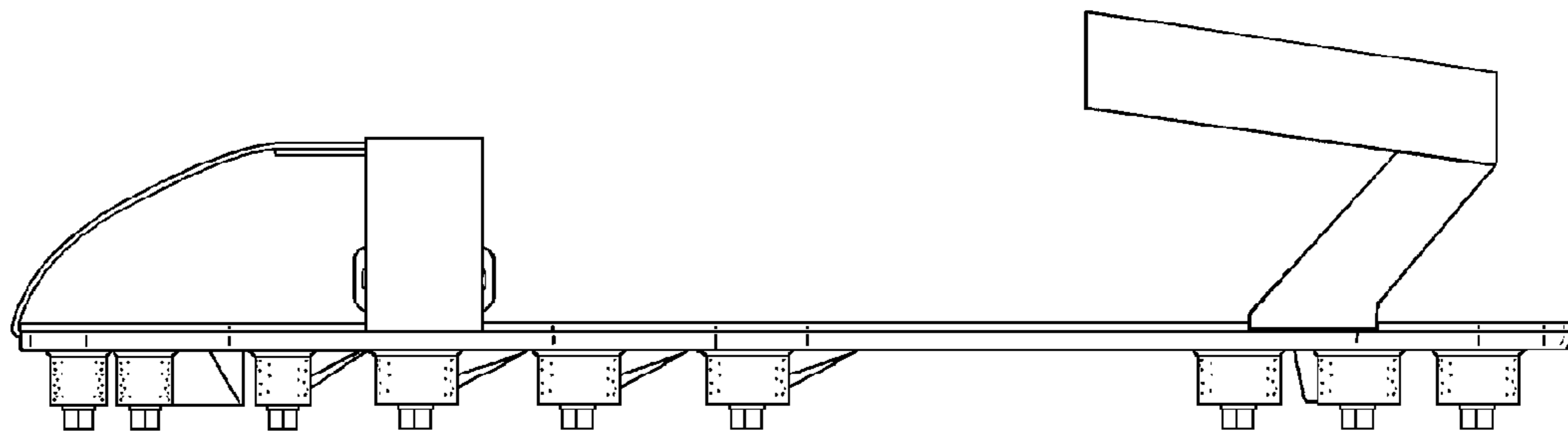
*Fig. 2*



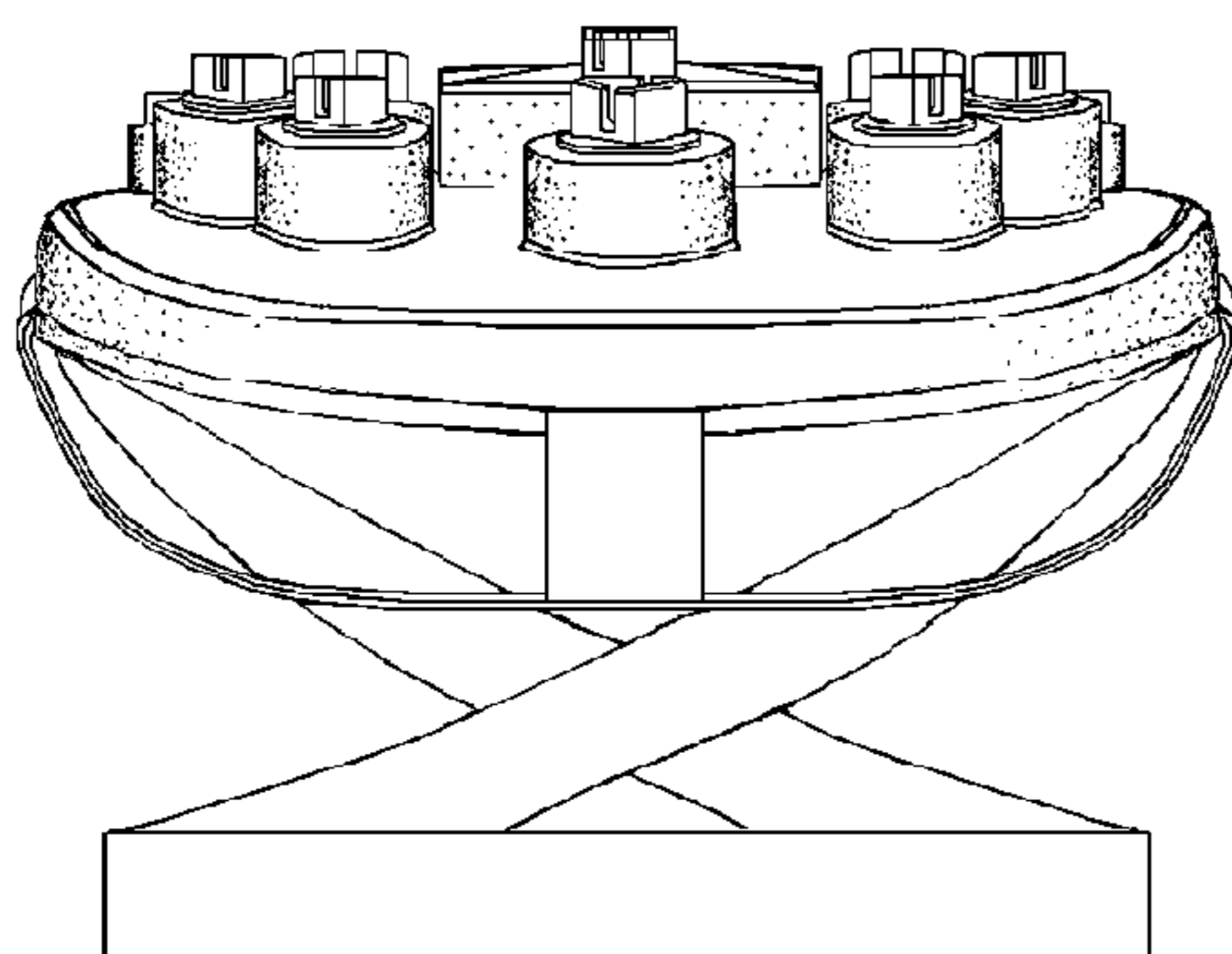
*Fig. 3*



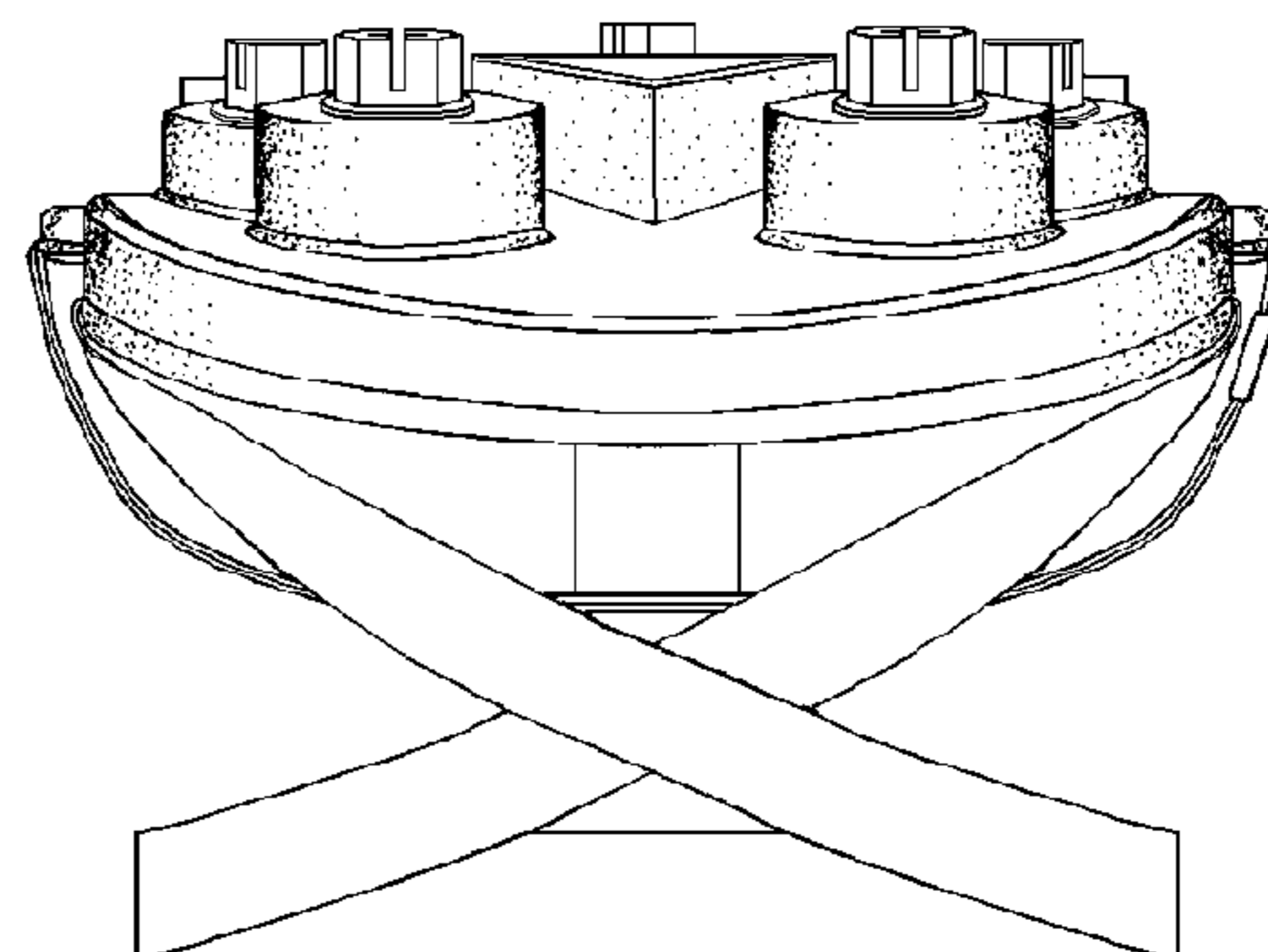
**Fig. 4**



**Fig. 5**



**Fig. 6**



**Fig. 7**