

US00D549427S

(12) **United States Design Patent** (10) **Patent No.:** **US D549,427 S**  
**Gambino et al.** (45) **Date of Patent:** **\*\* Aug. 28, 2007**

- (54) **WAFFLE**
- (75) Inventors: **Charles Gambino**, Portage, MI (US);  
**John B. Edwards**, Battle Creek, MI (US); **David K. Tebow**, Battle Creek, MI (US); **Karla K. Norstrom**, Battle Creek, MI (US)
- (73) Assignee: **Kellogg Company**, Battle Creek, MI (US)
- (\*\*) Term: **14 Years**
- (21) Appl. No.: **29/259,455**
- (22) Filed: **May 9, 2006**
- (51) **LOC (8) Cl.** ..... **01-01**
- (52) **U.S. Cl.** ..... **D1/125; D1/129; D1/130**
- (58) **Field of Classification Search** ..... D1/120-2, D1/124-5, 127-30, 199; 426/92, 94, 101, 426/138, 283, 297, 391, 496, 552  
 See application file for complete search history.

- D277,044 S \* 1/1985 Kuhlman ..... D1/130  
 4,820,533 A \* 4/1989 Seaborne et al. .... 426/76  
 D301,795 S 6/1989 Vitacco  
 D303,160 S \* 8/1989 Tovey ..... D24/101  
 D303,312 S 9/1989 Vitacco  
 D395,535 S 6/1998 Reichkitzer et al.  
 D418,964 S \* 1/2000 Biton ..... D1/120  
 2006/0286244 A1 \* 12/2006 Fu et al. .... 426/549

**OTHER PUBLICATIONS**

Woman's Day, Oct. 1951, Inner Back Cover, McCalls, Mar. 1954, p. 87, Restaurants and Institutions, Jul. 22, 1987, p. 267, Mod Pack, Sep. 1962, p. 31.\*  
 Country Living, May 1985, p. 112, Restaurants and Institutions, Spring 1988, front cover.\*  
 All-Time Favorite Cookie Recipes For America's Tastiest Treats, by Jean Wickstrom Liles, Oxmoor House, AL, © 1995, p. 39.\*  
 Good Housekeeping Illustrated Cookbook: Revised and Expanded Edition, by Hearst Books, NY, © 1989, p. 84.\*

\* cited by examiner

*Primary Examiner*—Robin Webster  
*Assistant Examiner*—Karen E Kearney  
 (74) *Attorney, Agent, or Firm*—Dickinson Wright PLLC

(56) **References Cited**  
**U.S. PATENT DOCUMENTS**

- 277,422 A 5/1883 Harker et al.  
 D21,337 S \* 2/1892 Johnson ..... D1/120  
 D59,285 S \* 10/1921 Richardson ..... D1/127  
 1,612,747 A 12/1926 Shaffer  
 D88,675 S \* 12/1932 Schoenleber ..... D1/127  
 1,899,511 A \* 2/1933 Leaf ..... 426/95  
 1,947,124 A 2/1934 Clauss  
 1,950,734 A \* 3/1934 Leaf ..... 426/95  
 D111,971 S \* 11/1938 Huse ..... D1/101  
 2,358,452 A 9/1944 Garstang  
 D141,977 S 8/1945 Forte  
 D153,537 S 4/1949 Milano  
 D179,087 S 10/1956 Kelso  
 D229,642 S 12/1973 Dorsa  
 3,879,564 A \* 4/1975 Cocozzella ..... 426/283  
 D254,516 S \* 3/1980 Meibaum ..... D1/127

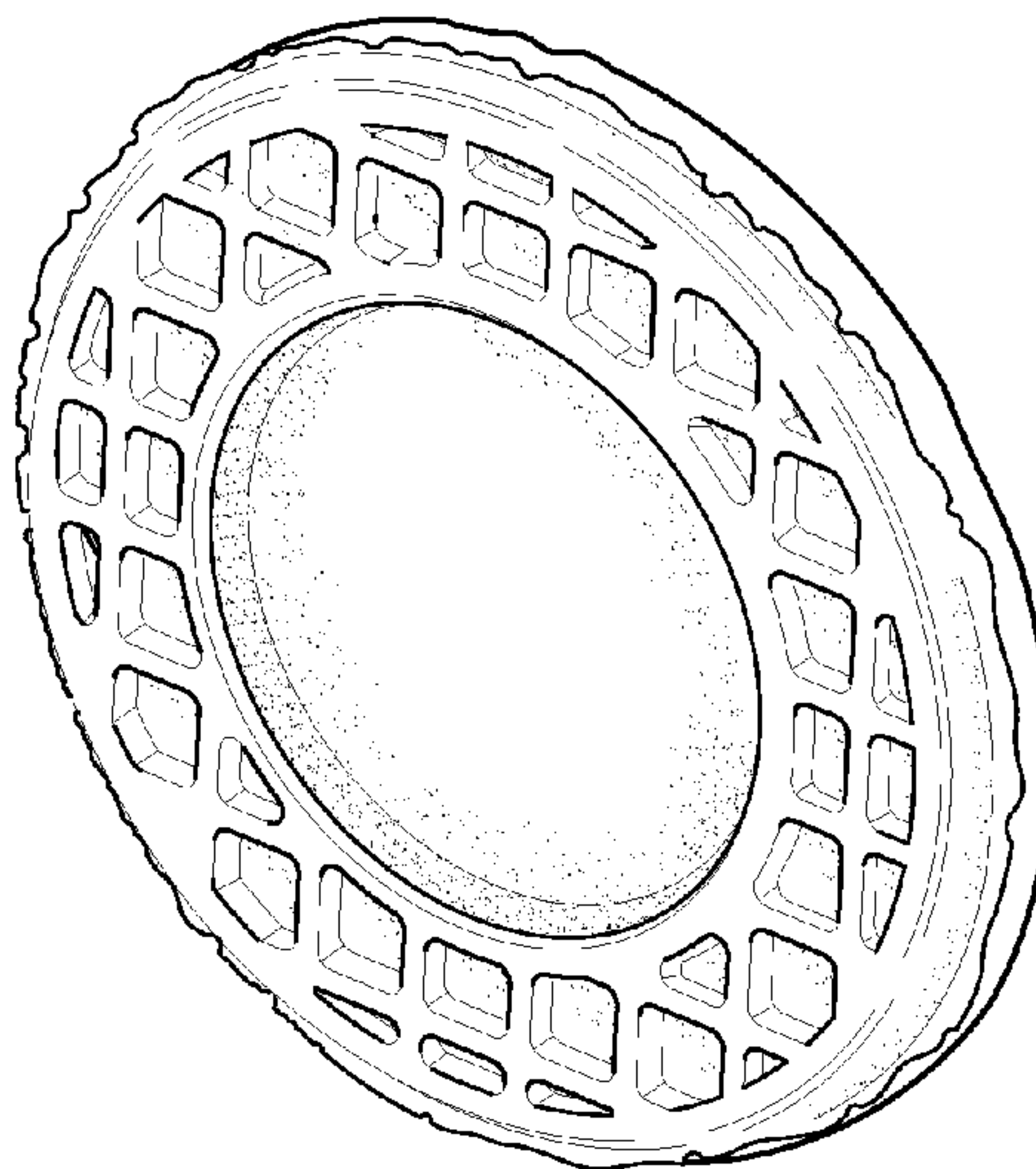
(57) **CLAIM**

We claim the ornamental design for a waffle, as shown and described.

**DESCRIPTION**

FIG. 1 is a perspective view of the waffle;  
 FIG. 2 is a rear view of the waffle;  
 FIG. 3 is a front view of the waffle; and,  
 FIG. 4 is a cross-sectional view of the waffle taken along section lines 4—4 in FIG. 3.  
 The waffle includes a substantially flat center surface that is useful for receiving images such as text or graphics.

**1 Claim, 1 Drawing Sheet**



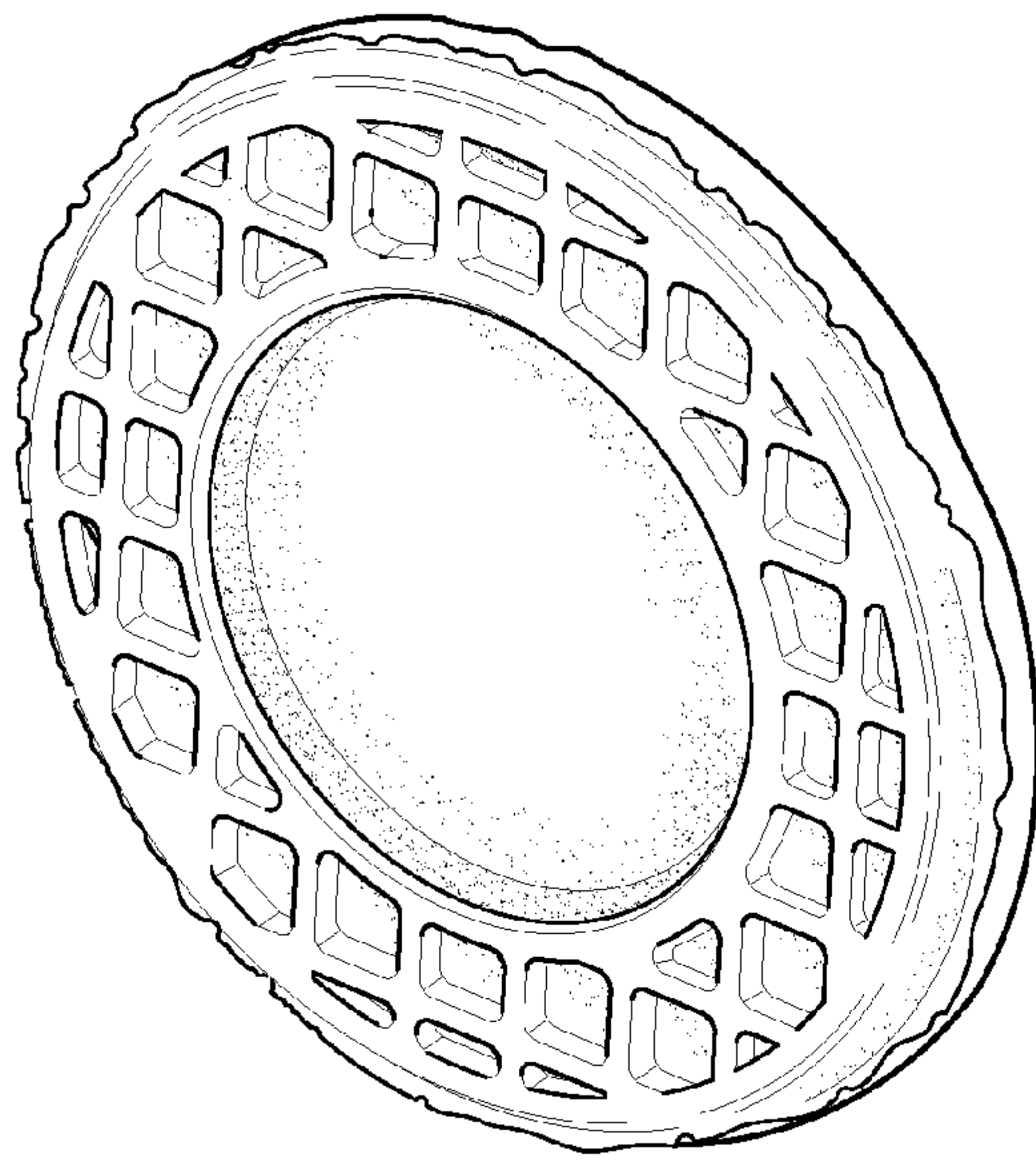


Fig-1

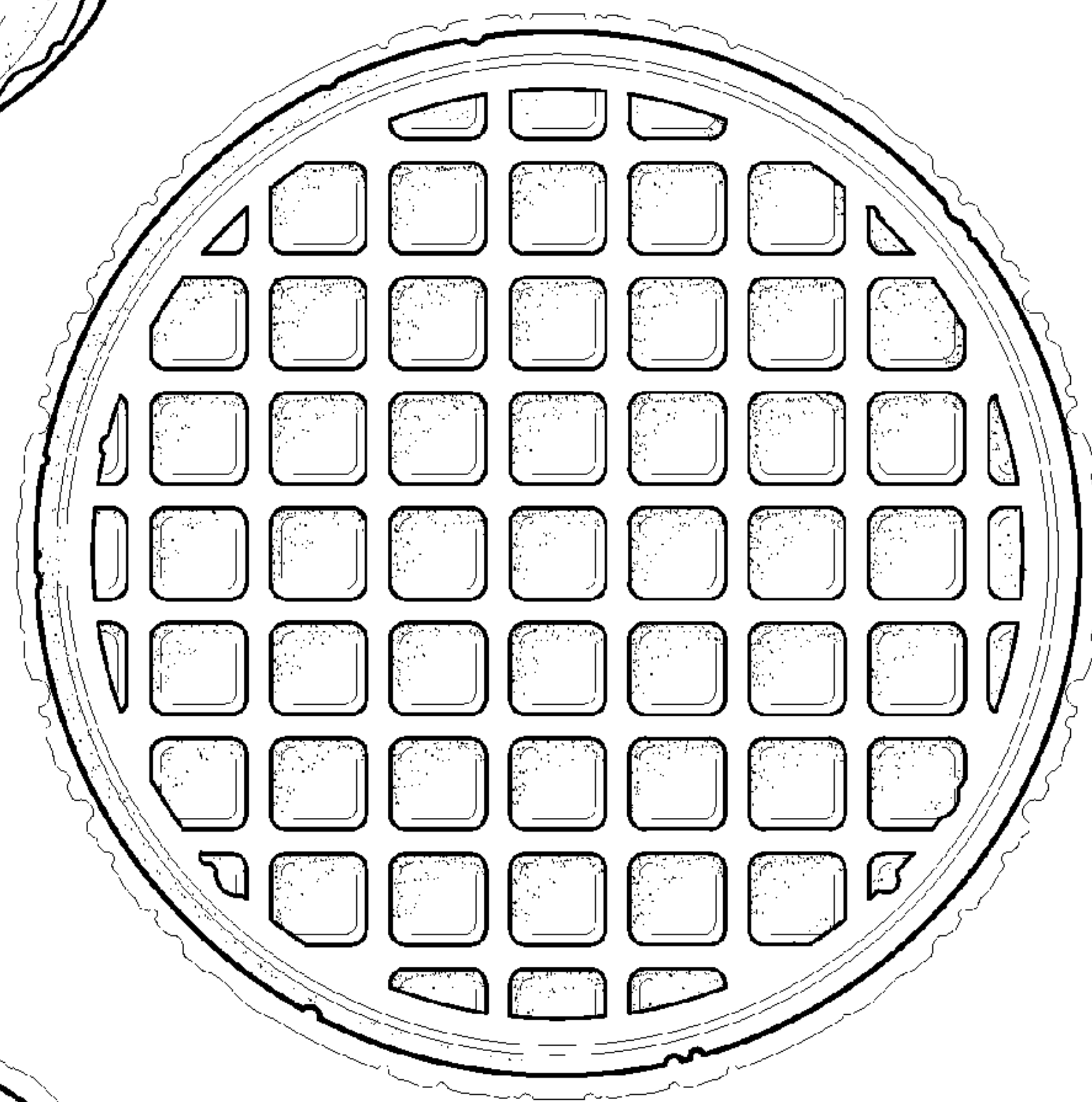


Fig-2

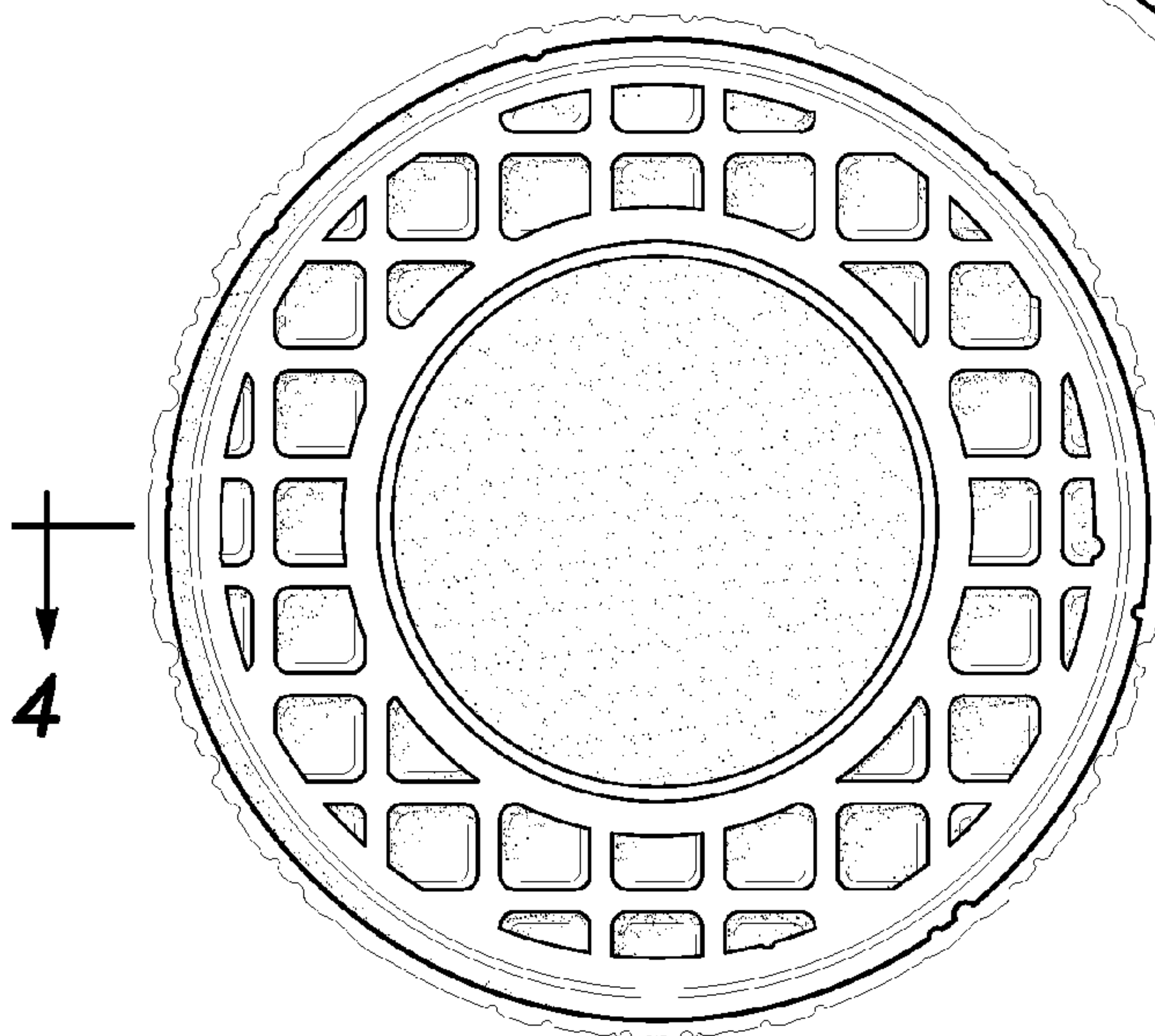


Fig-3

Fig-4

