

US00D549423S

(12) **United States Design Patent**  
**Zimmermann**

(10) **Patent No.:** **US D549,423 S**

(45) **Date of Patent:** **\*\* Aug. 21, 2007**

(54) **ADJUSTING DEVICE**

(57) **CLAIM**

(76) Inventor: **Juergen Zimmermann**, Scheffelstrasse  
6, A-6900 Bregenz (AT)

The ornamental design for an adjusting device, as shown and described.

(\*\*) Term: **14 Years**

**DESCRIPTION**

(21) Appl. No.: **29/230,305**

(22) Filed: **May 18, 2005**

(30) **Foreign Application Priority Data**

Nov. 18, 2004 (EM) ..... 000255567

(51) **LOC (8) Cl.** ..... **12-05**

(52) **U.S. Cl.** ..... **D34/33; D34/28**

(58) **Field of Classification Search** ..... None  
See application file for complete search history.

(56) **References Cited**

**U.S. PATENT DOCUMENTS**

D187,664 S *	4/1960	Petersen	.....	D34/28
D190,300 S *	5/1961	Petersen	.....	D34/28
D230,436 S *	2/1974	Clark	.....	D29/124
D309,969 S *	8/1990	Tamura	.....	D34/33
D346,254 S *	4/1994	Novak	.....	D34/28
D347,721 S *	6/1994	Carter, Jr.	.....	D34/33
D351,708 S *	10/1994	Andersson	.....	D34/28
D358,696 S *	5/1995	Mims	.....	D34/28

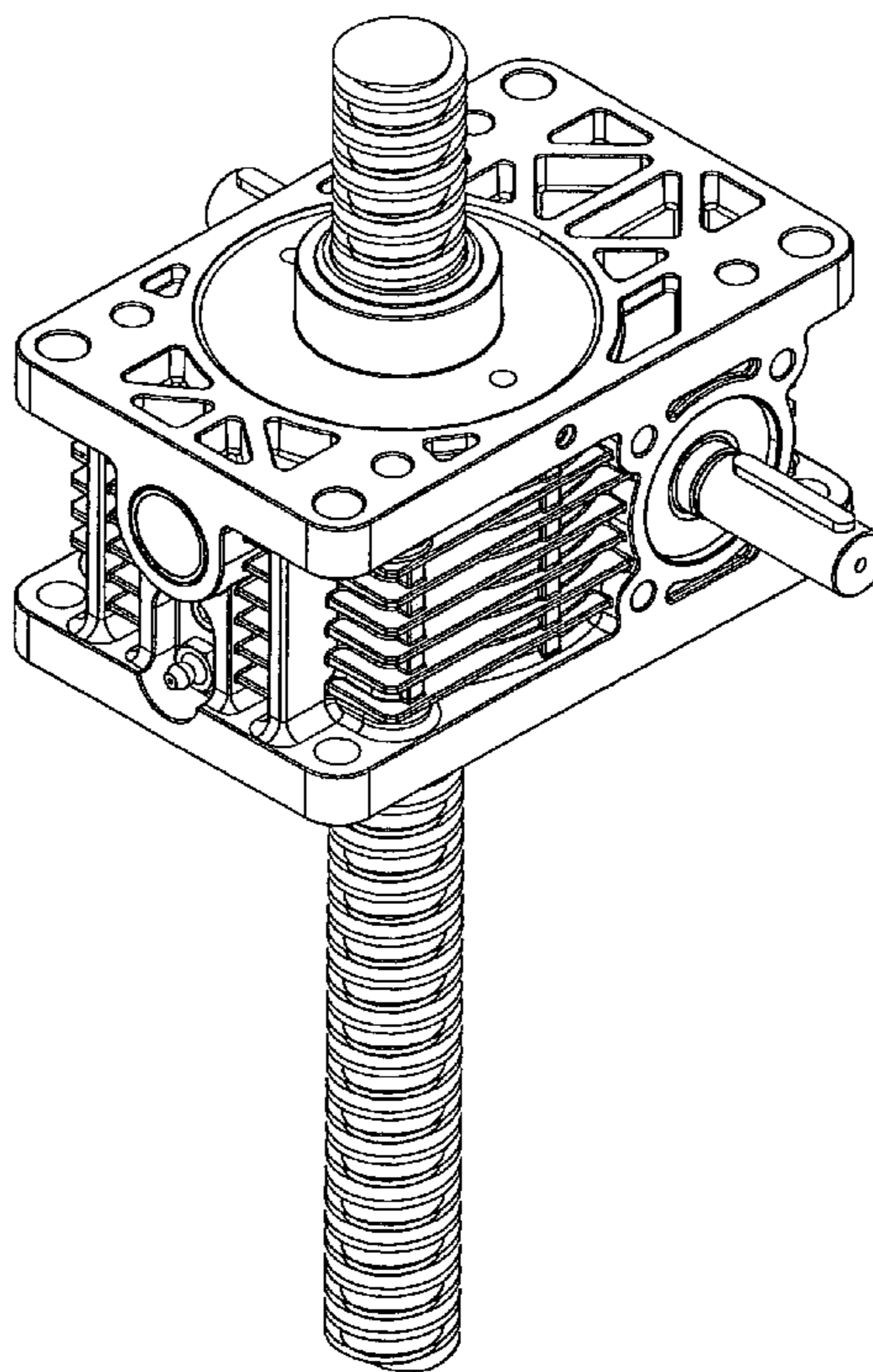
\* cited by examiner

*Primary Examiner*—Cynthia E. Ramirez  
(74) *Attorney, Agent, or Firm*—Reed Smith LLP

FIG. 1 is a front view of an adjusting device showing my new design;  
 FIG. 2 is a front view thereof;  
 FIG. 3 is a right side view;  
 FIG. 4 is a left side thereof;  
 FIG. 5 is a top view thereof;  
 FIG. 6 is a bottom view thereof;  
 FIG. 7 is a perspective view thereof;  
 FIG. 8 is another perspective view thereof;  
 FIG. 9 is a front enlarged view thereof;  
 FIG. 10 is an enlarged rear view thereof;  
 FIG. 11 is an enlarged top view thereof;  
 FIG. 12 is an enlarged bottom view thereof;  
 FIG. 13 is an enlarged right side view thereof;  
 FIG. 14 is an enlarged left side view thereof;  
 FIG. 15 is an enlarged perspective view thereof; and,  
 FIG. 16 is another enlarged perspective view thereof.

The spindle is not shown in FIGS. 9 through 16 for convenience of illustration.

**1 Claim, 16 Drawing Sheets**



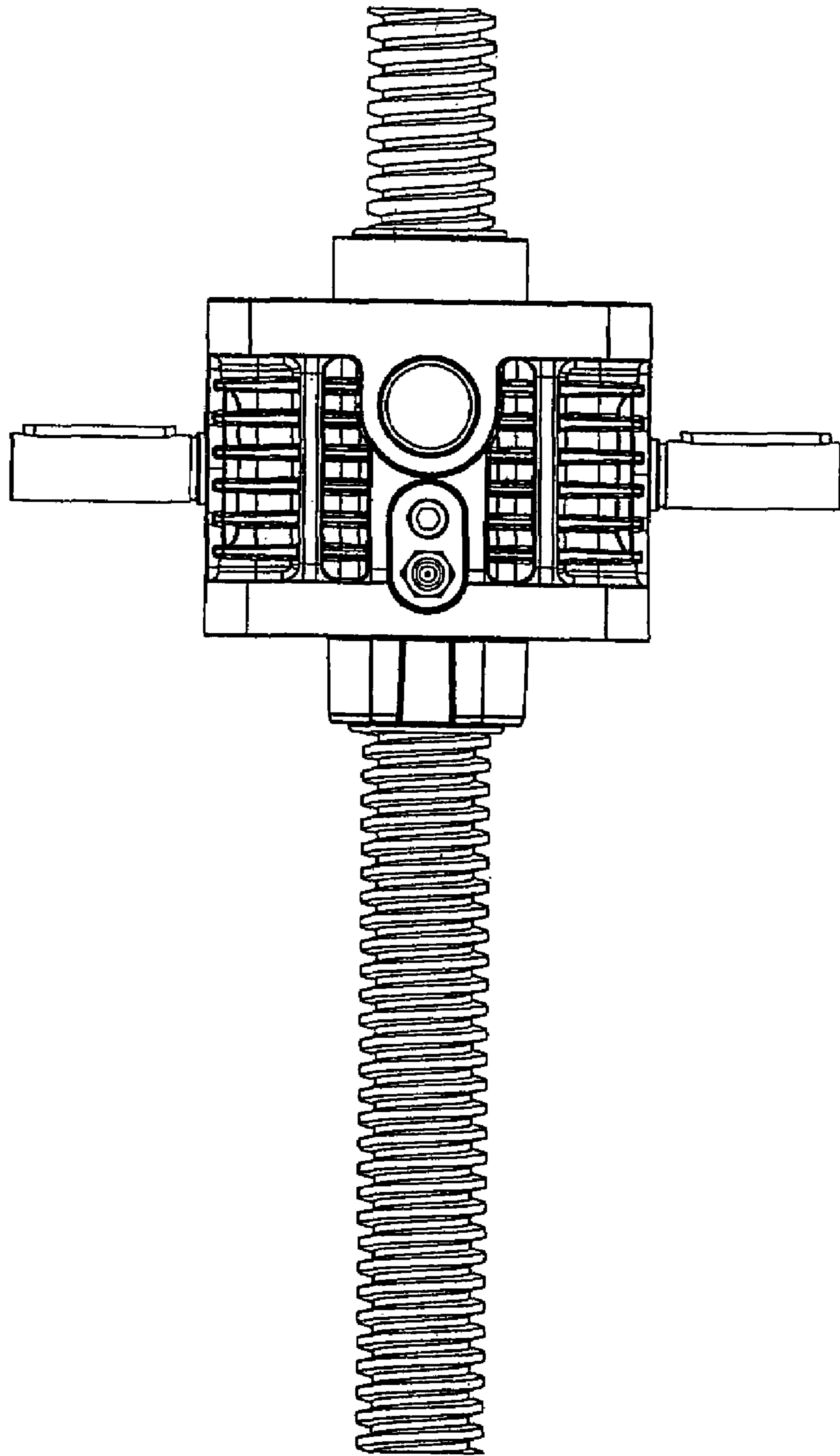


Fig. 1

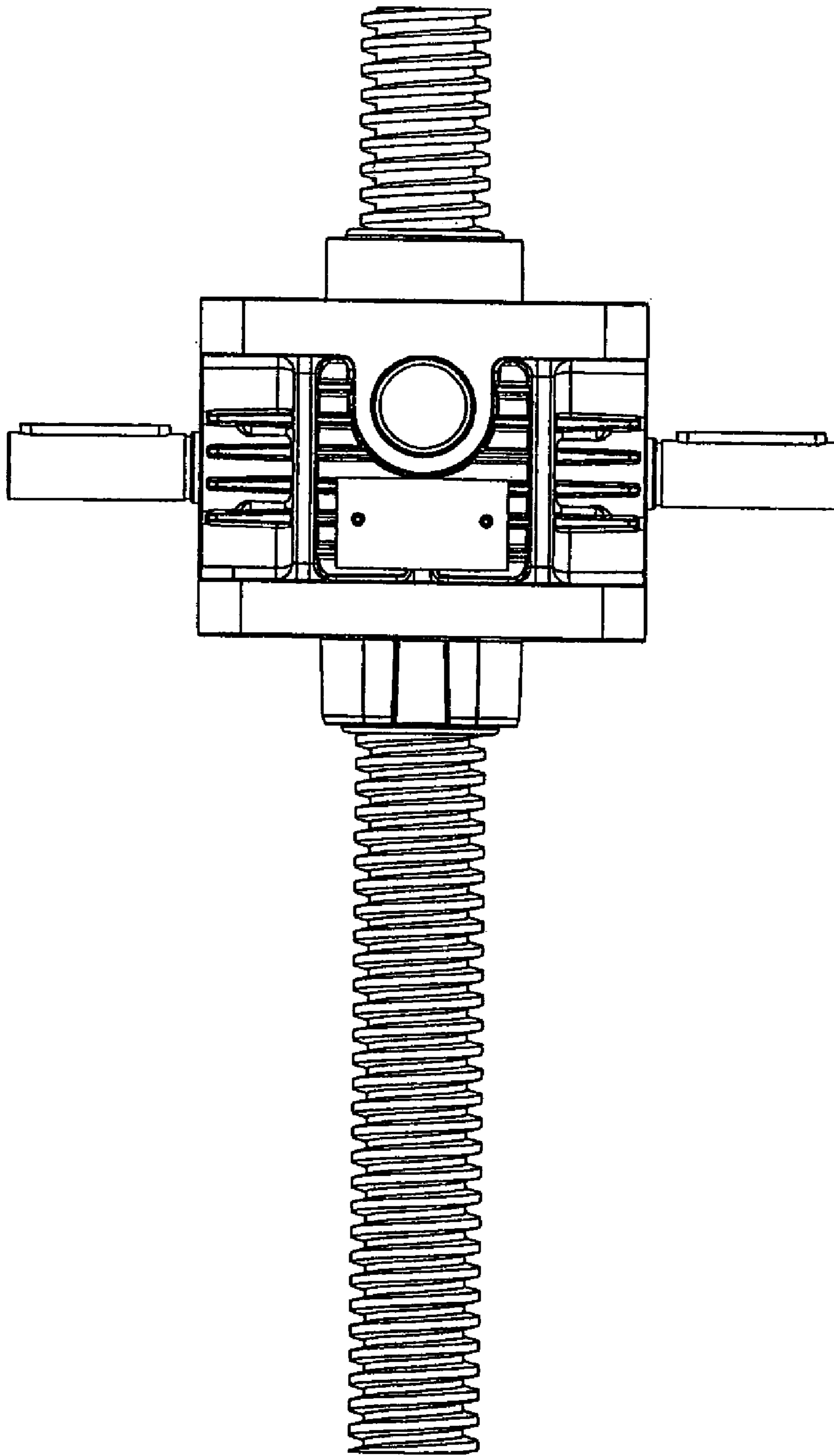


Fig. 2

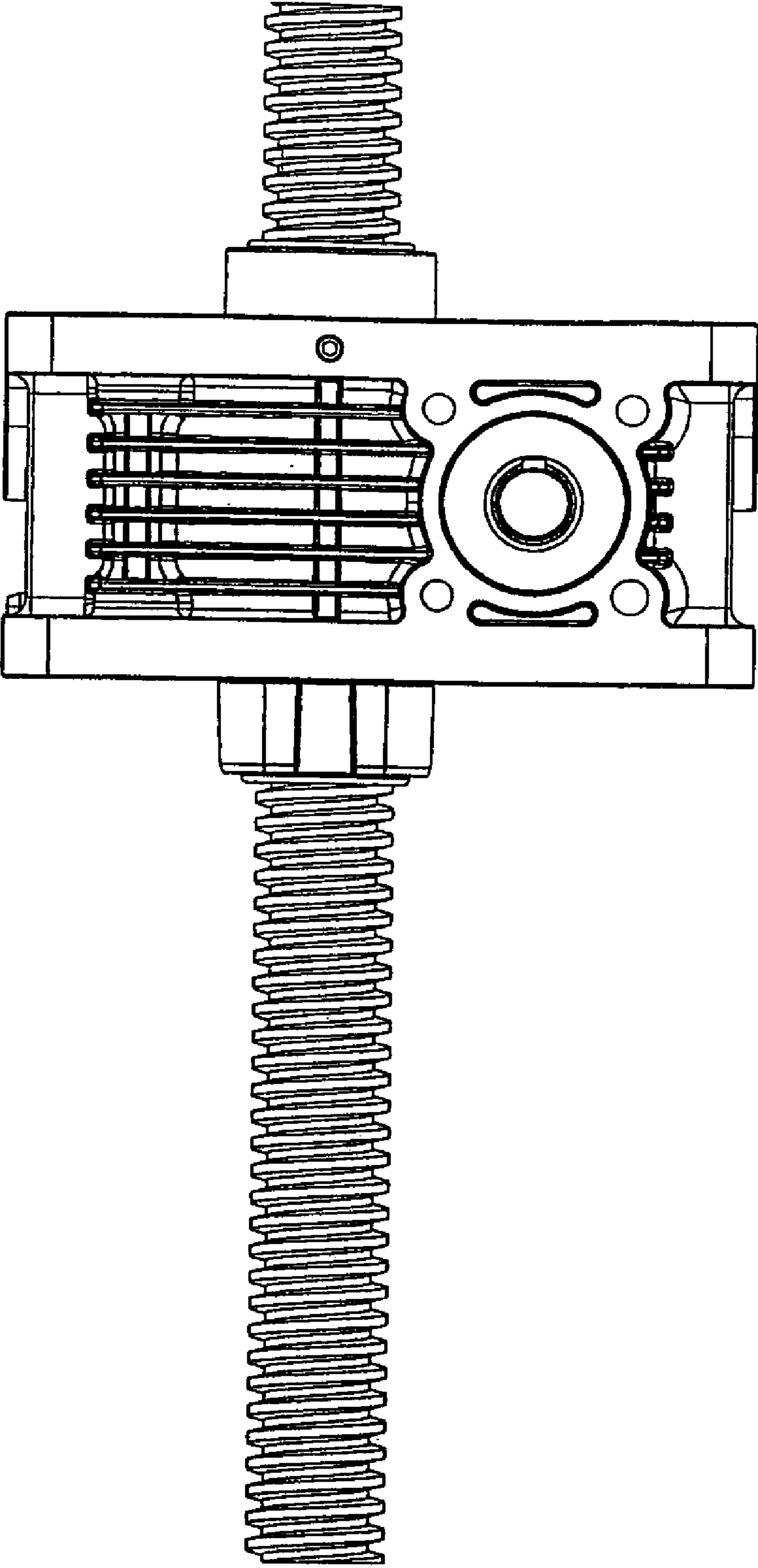


Fig. 3

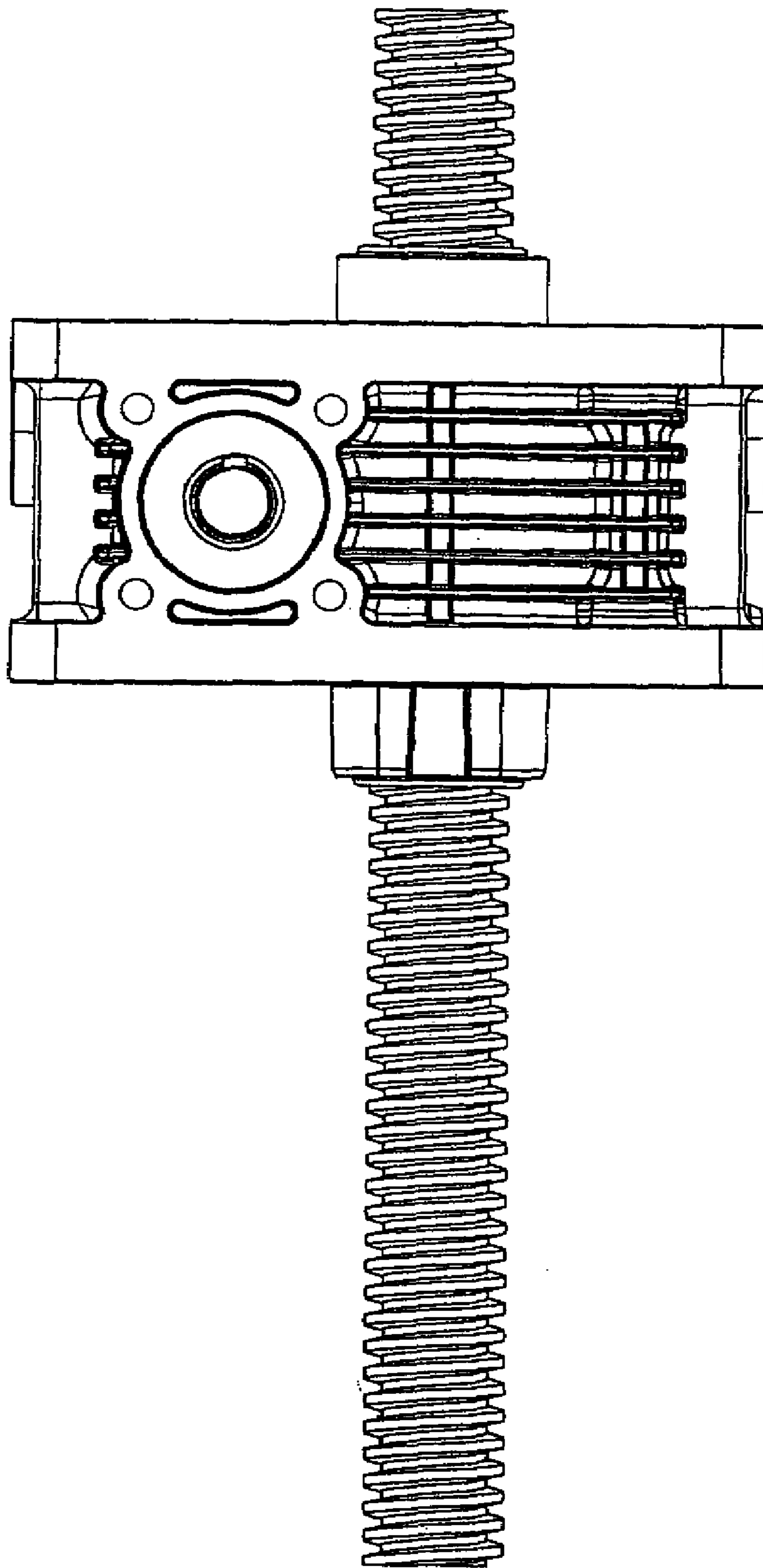


Fig. 4

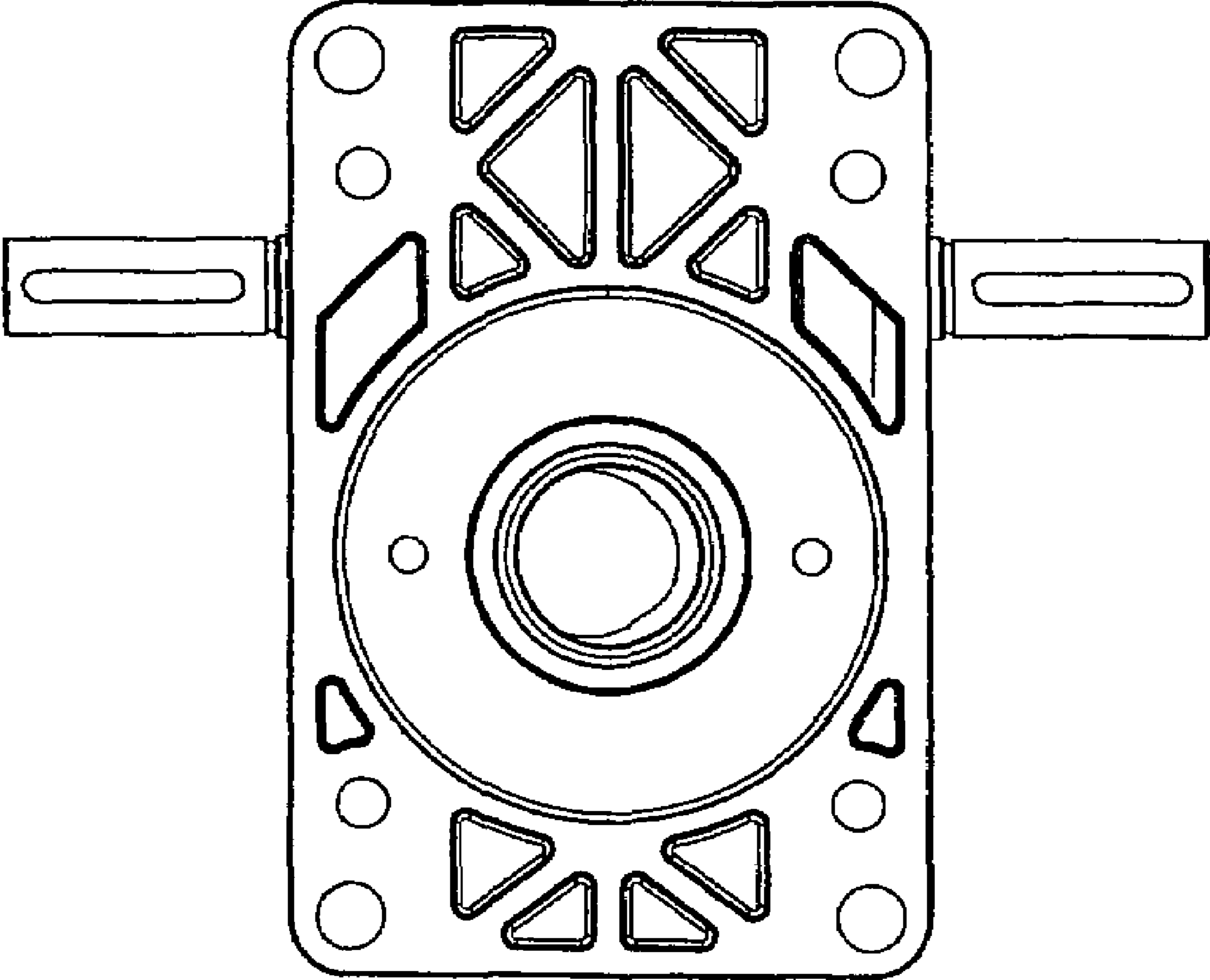


Fig. 5

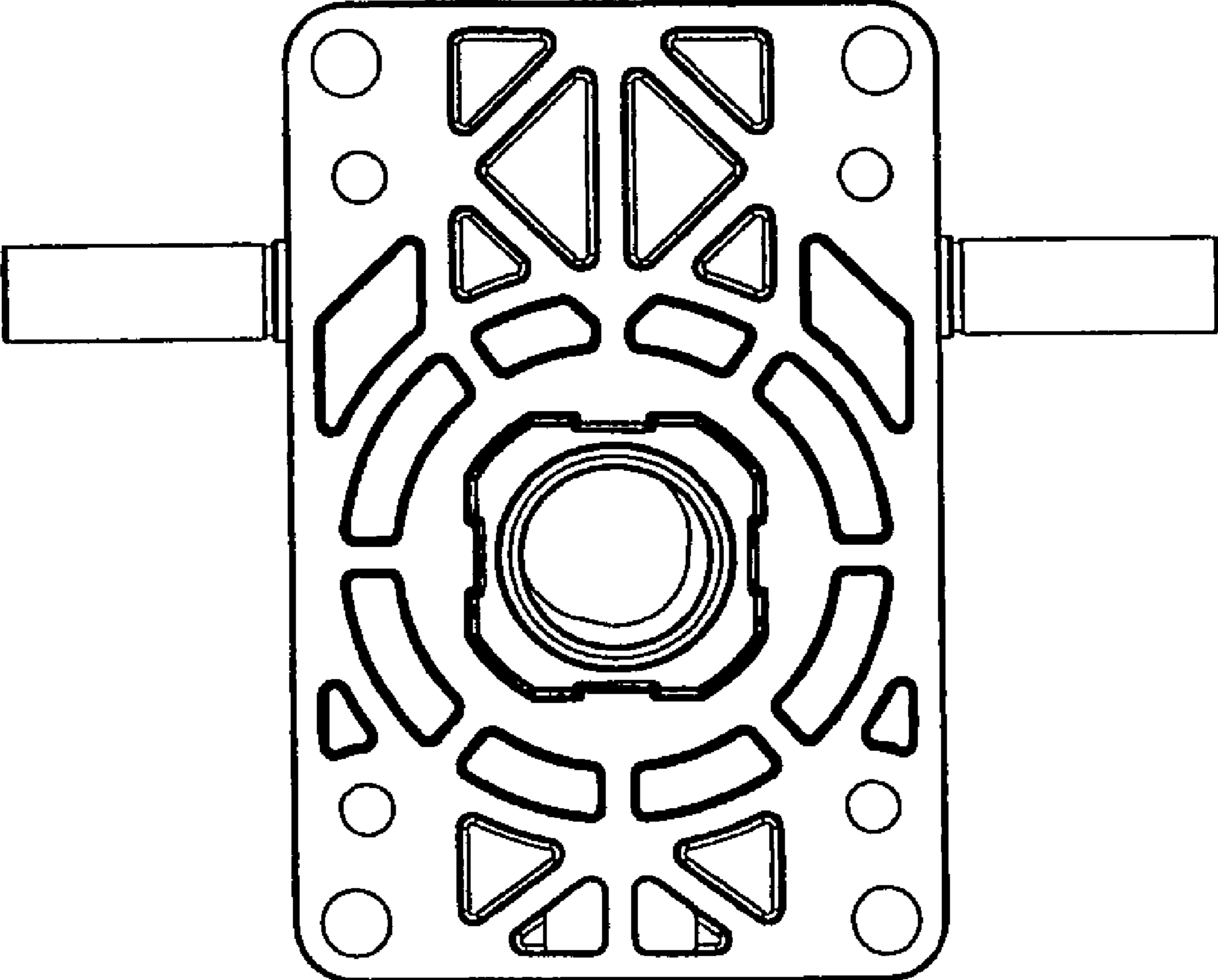


Fig. 6

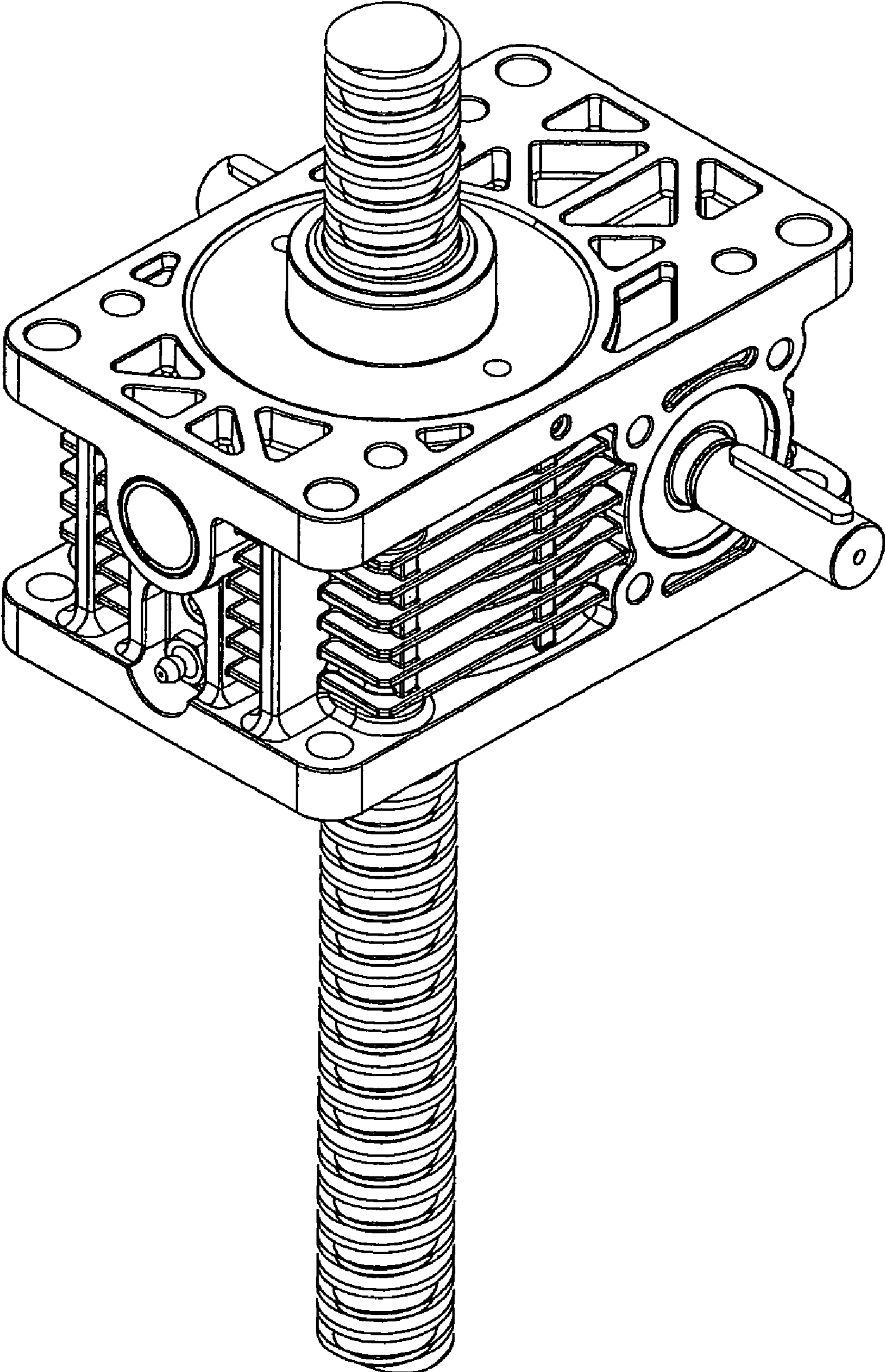


Fig. 7



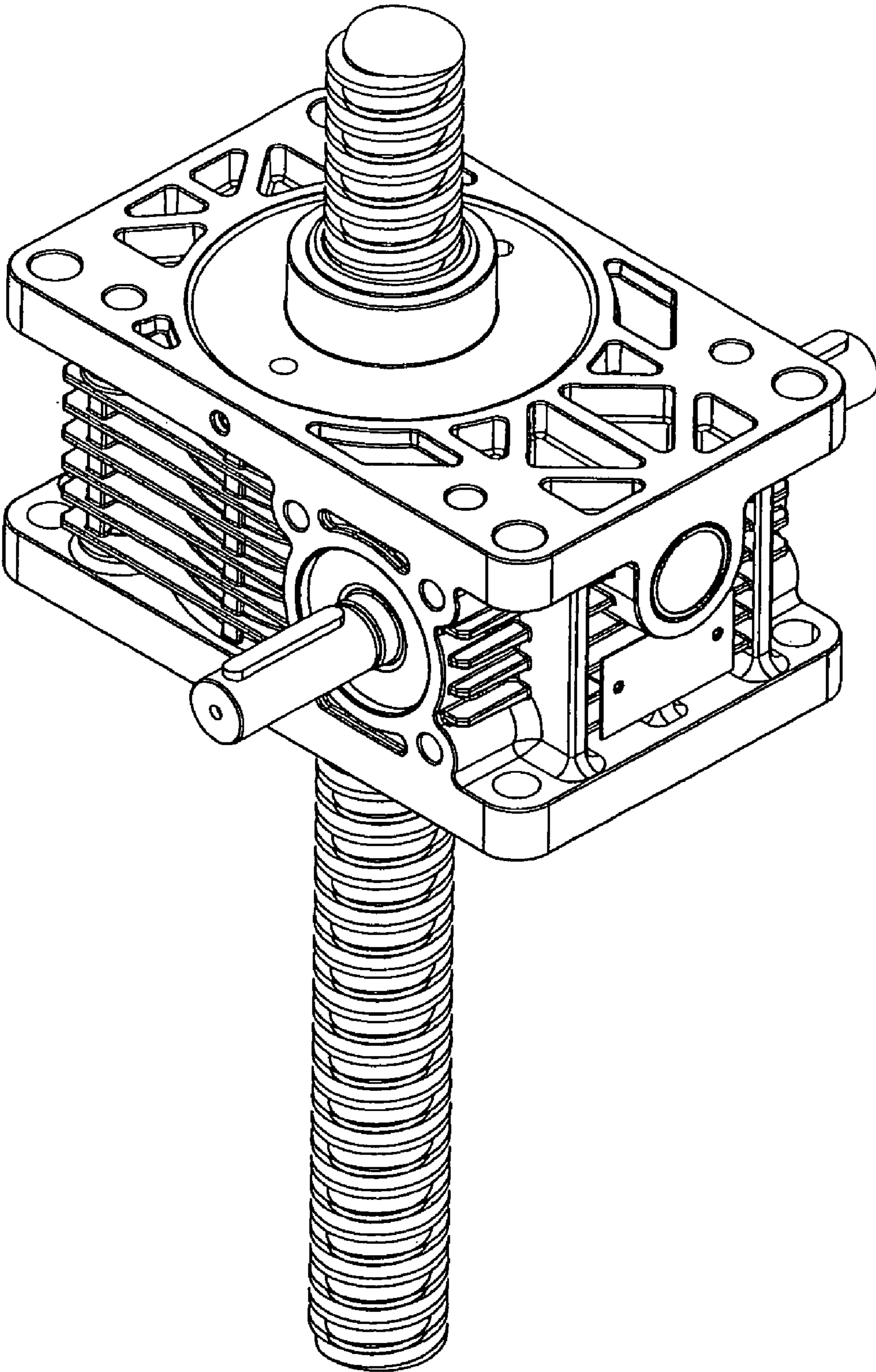


Fig. 8

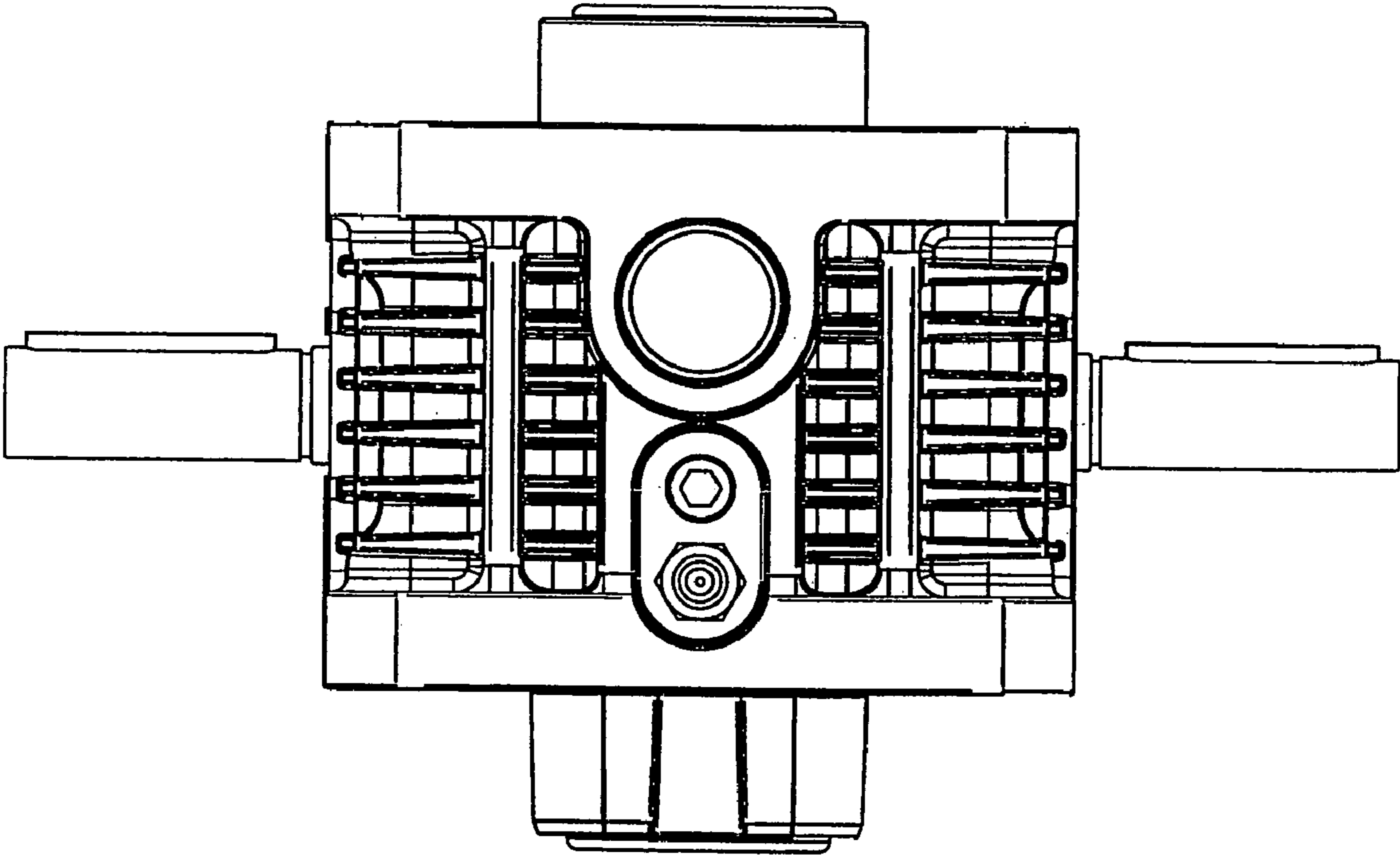


Fig. 9

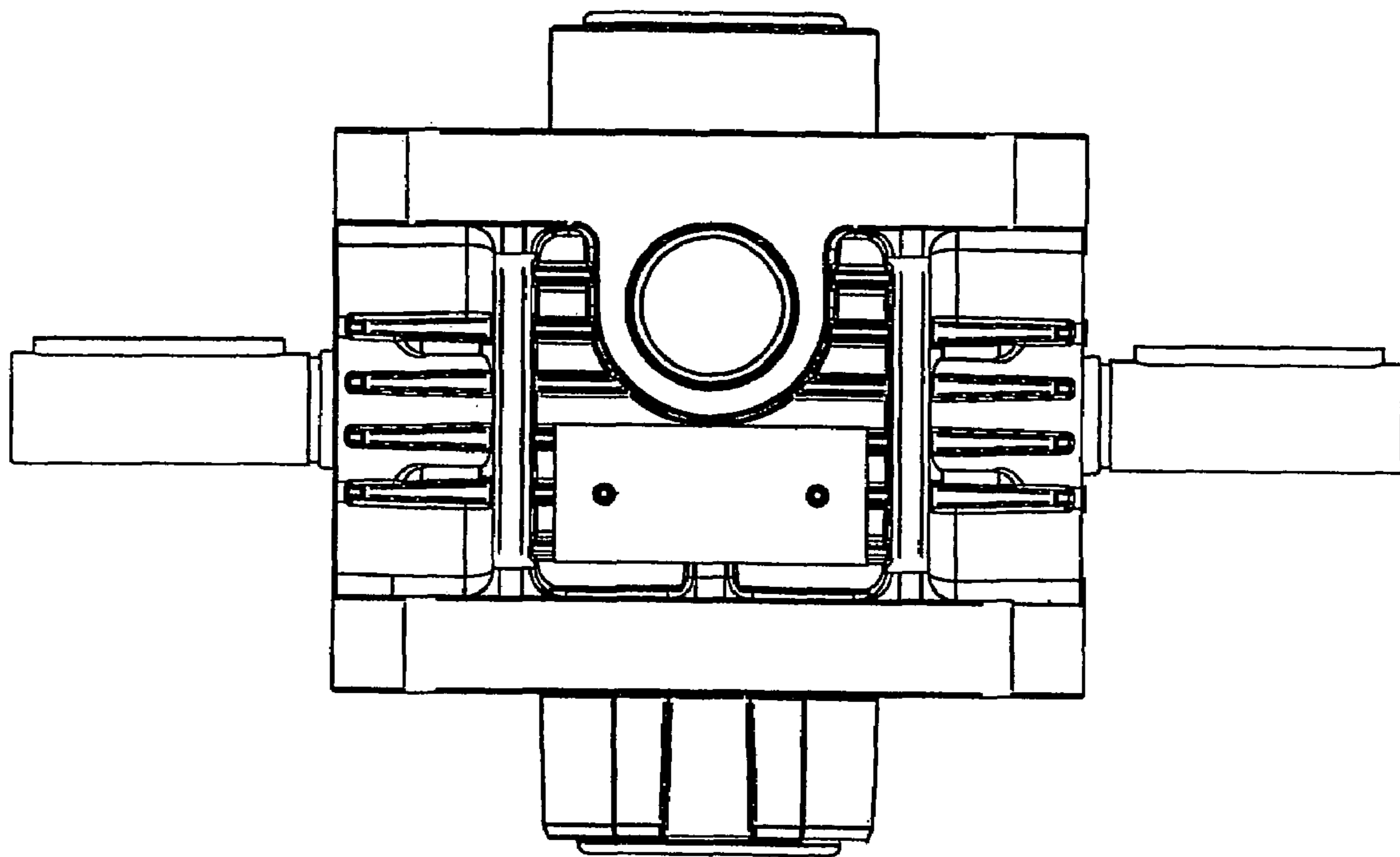


Fig. 10

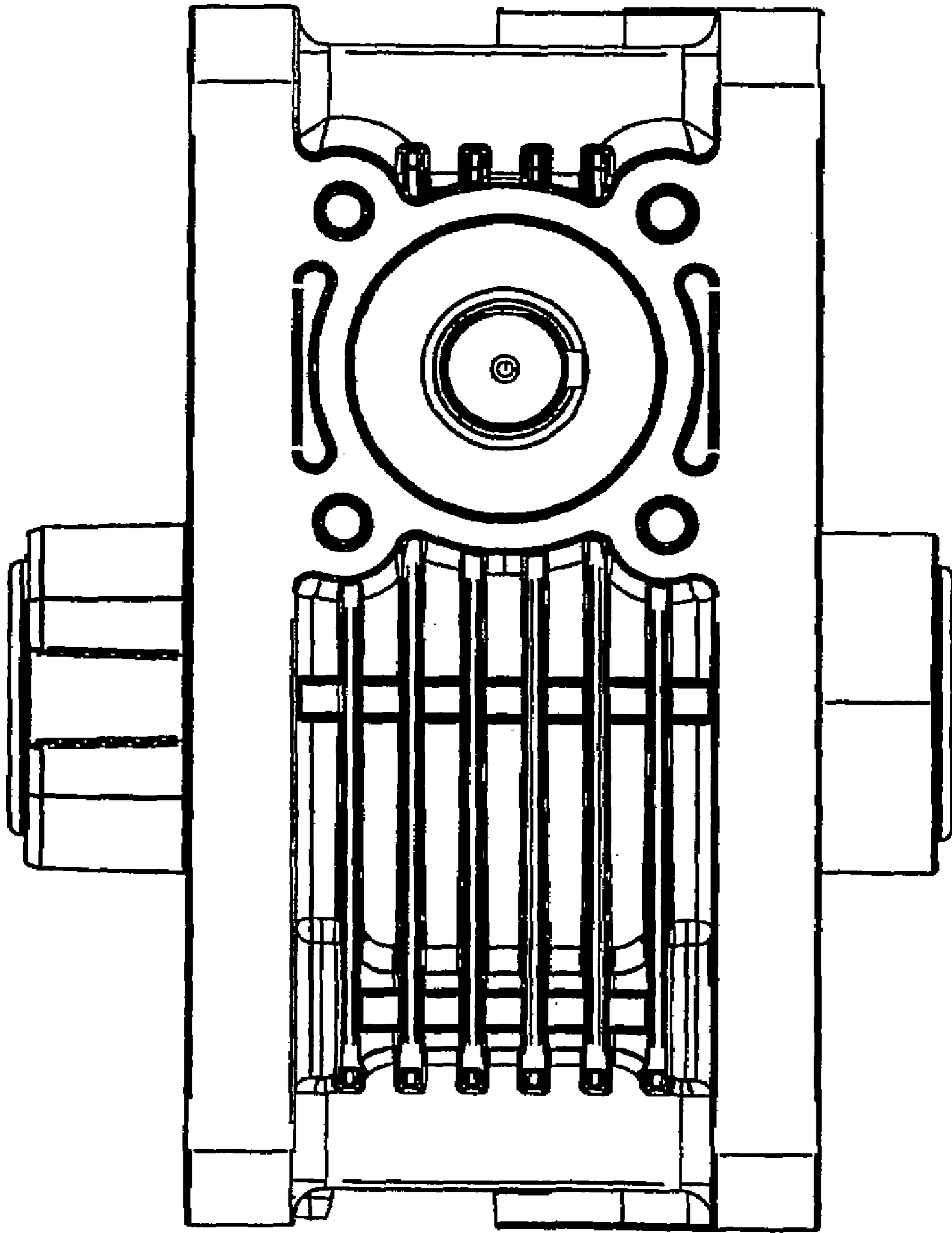


Fig. 11

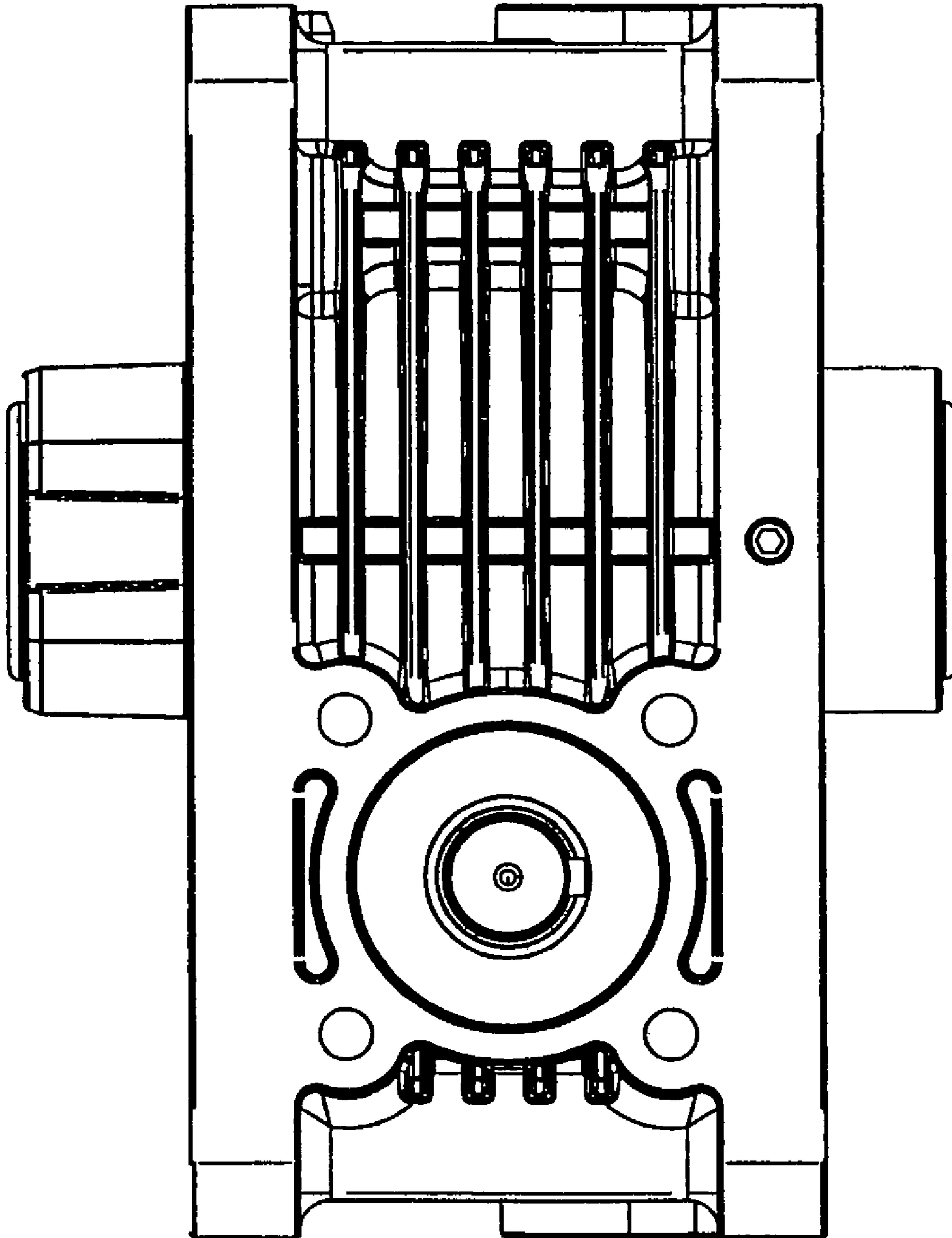


Fig. 12

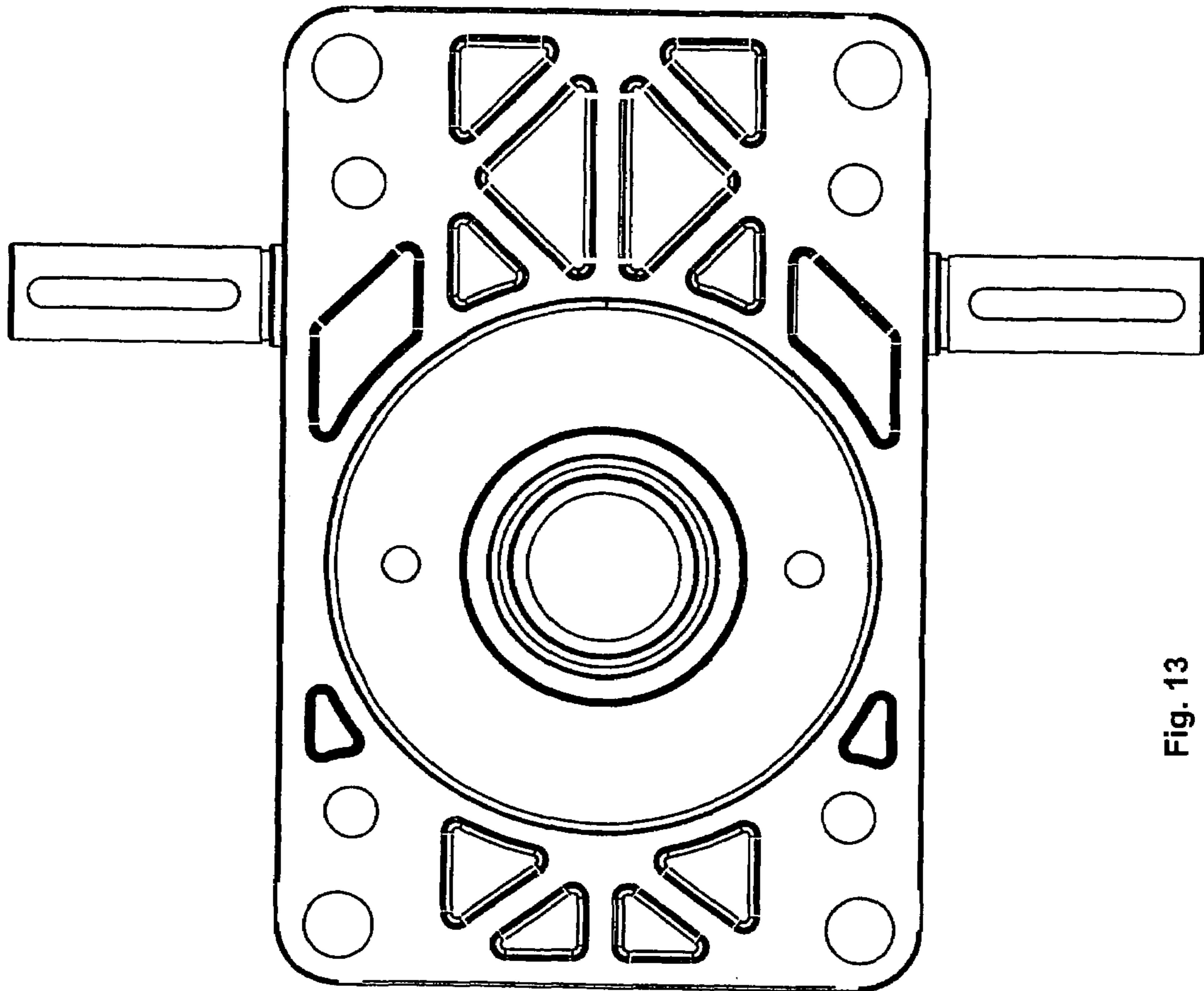


Fig. 13

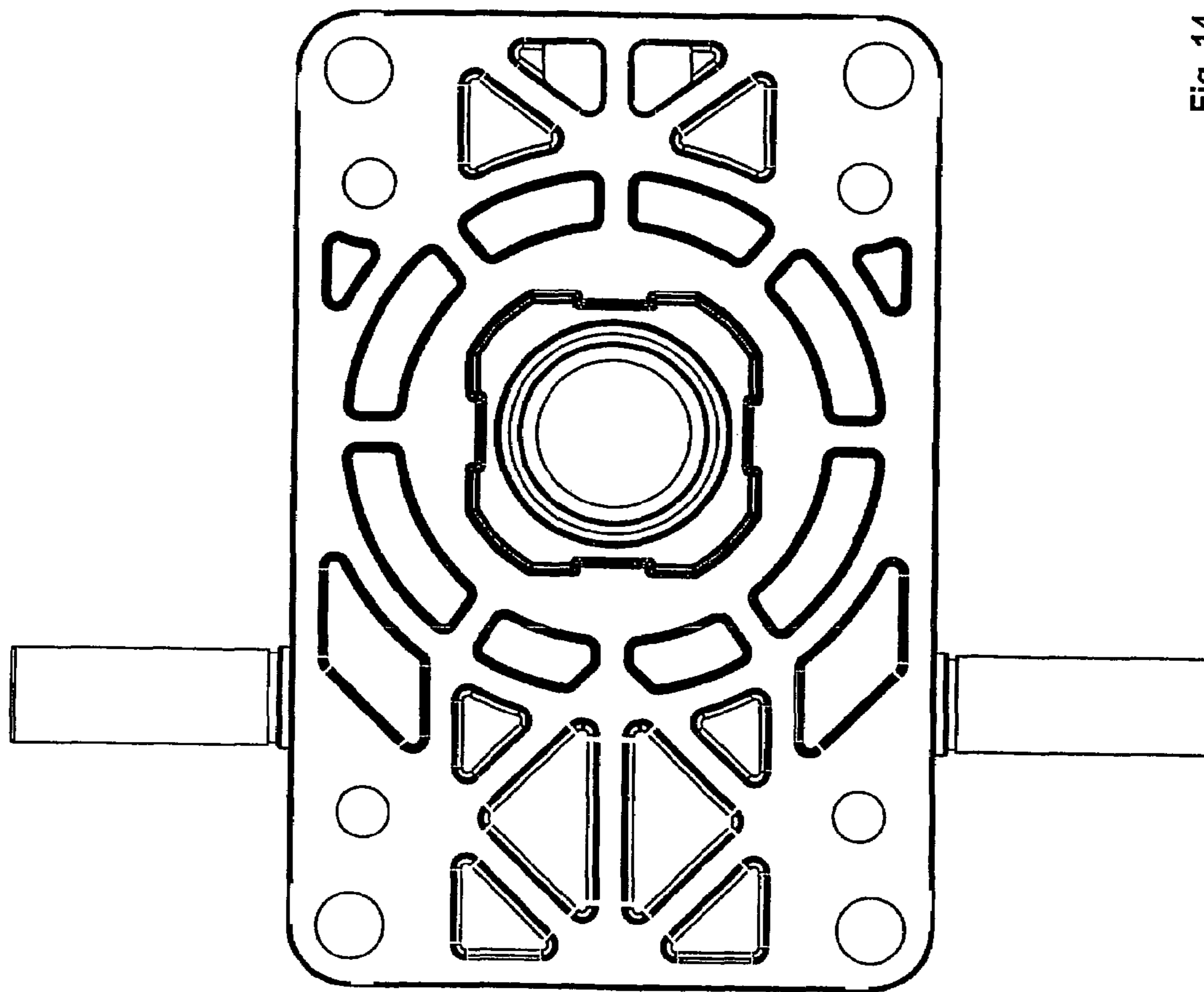


Fig. 14

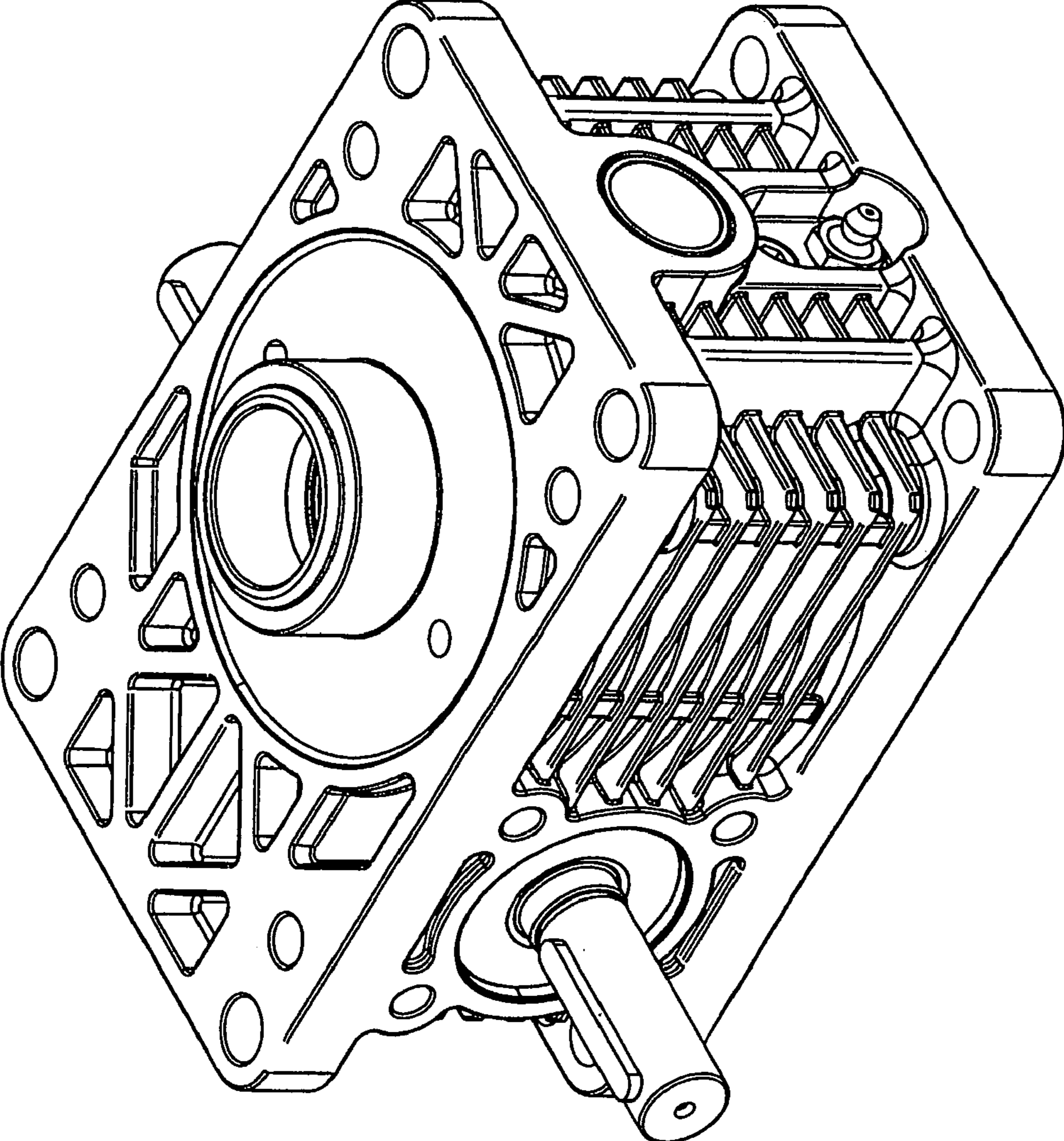


Fig. 15



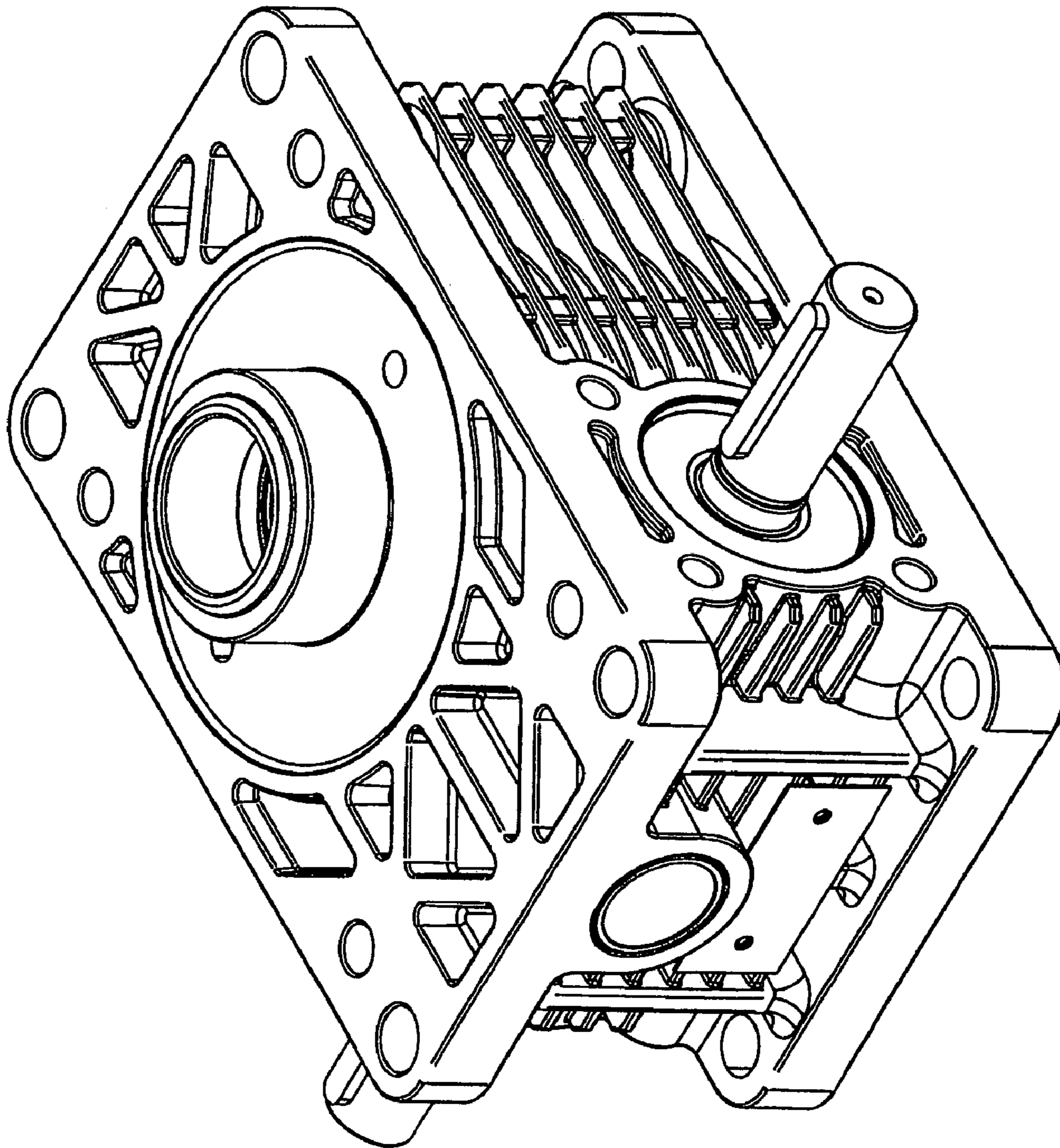


Fig. 16