

US00D549422S

(12) **United States Design Patent**  
**Peers-Smith et al.**

(10) **Patent No.:** **US D549,422 S**

(45) **Date of Patent:** **\*\* Aug. 21, 2007**

(54) **CHASSIS WITH MIRROR, FOR AN UNDER VEHICLE INSPECTION DEVICE**

D409,344 S \* 5/1999 Whiteside et al. .... D34/23  
D444,282 S \* 6/2001 Lensing et al. .... D34/23  
6,871,861 B1 \* 3/2005 Hernandez, Jr. .... 280/32.6

(75) Inventors: **Roy Peers-Smith**, Herefordshire (GB);  
**Robert Jonathan Cull**, Gloucestershire (GB);  
**Andrew Leslie Morgan**, Gloucestershire (GB)

\* cited by examiner

*Primary Examiner*—Brian N Vinson

(74) *Attorney, Agent, or Firm*—Fulbright & Jaworski L.L.P.

(73) Assignee: **Allen-Vanguard Ltd.**, Tewkesbury (GB)

(57) **CLAIM**

The ornamental design for a chassis with mirror, for an under vehicle inspection device, as shown and described.

(\*\*) Term: **14 Years**

**DESCRIPTION**

(21) Appl. No.: **29/204,369**

FIG. 1 is a top plan view of a chassis with mirror, for an under vehicle inspection device showing an exemplary example of my new design;

(22) Filed: **Apr. 27, 2004**

FIG. 2 is an underneath plan view of the chassis with mirror of FIG. 1;

(30) **Foreign Application Priority Data**

Oct. 31, 2002 (GB) ..... 3014989

FIG. 3 is a view of one side of the chassis with mirror of FIG. 1;

(51) **LOC (8) Cl.** ..... **12-02**

(52) **U.S. Cl.** ..... **D34/23**

(58) **Field of Classification Search** ..... D34/23,  
D34/12; 280/32.5, 32.6, 79.11, 79.2, 79.7  
See application file for complete search history.

FIG. 4 is a view of another side of the chassis with mirror of FIG. 1;

FIG. 5 is a top perspective view of the chassis with mirror of FIG. 1;

(56) **References Cited**

**U.S. PATENT DOCUMENTS**

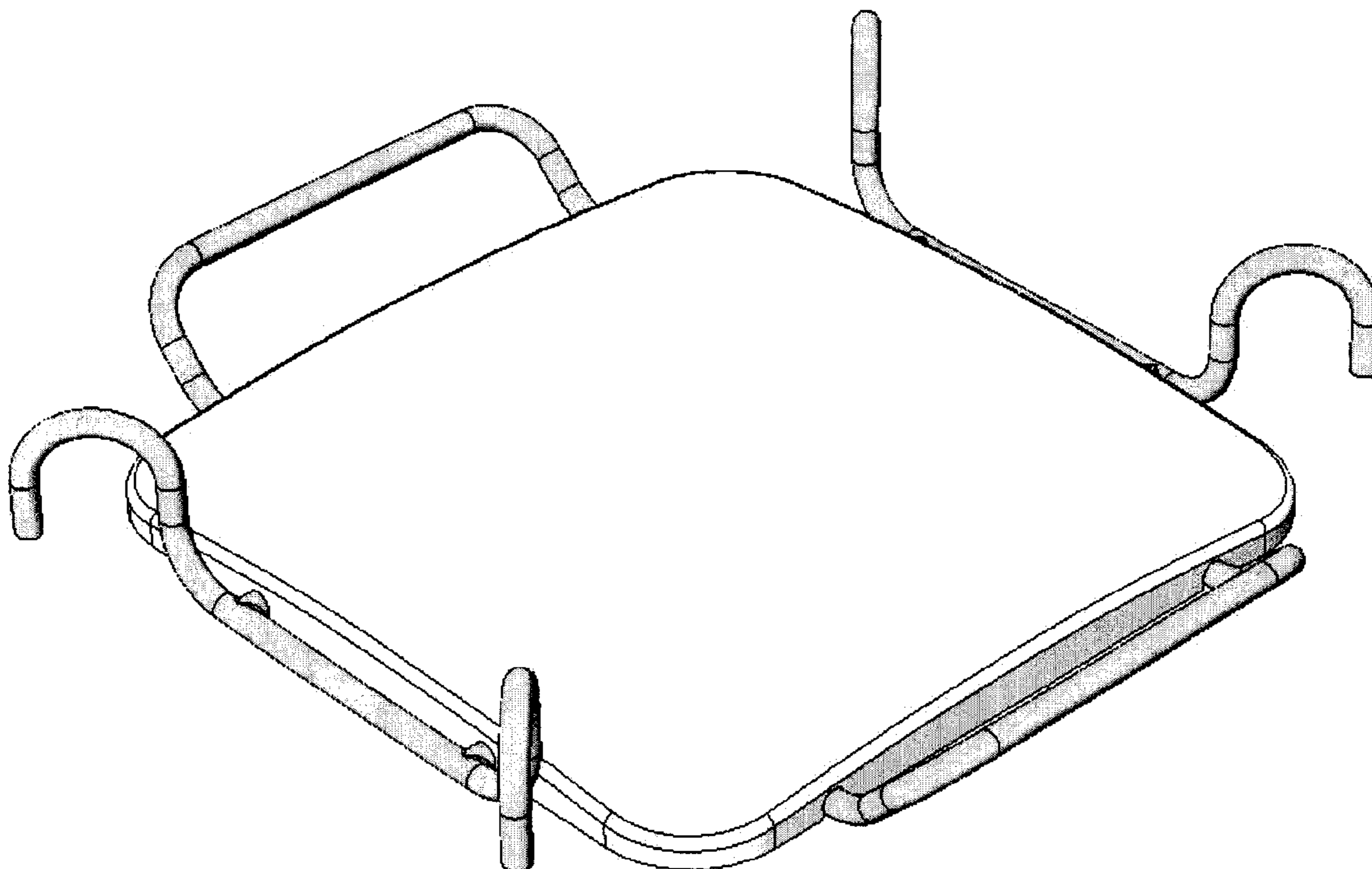
1,853,007 A \* 4/1932 Stannard ..... 280/32.6  
D351,707 S \* 10/1994 Pill ..... D34/23  
5,611,552 A \* 3/1997 Miles et al. .... 280/32.6  
D398,433 S \* 9/1998 Whiteside et al. .... D34/23

FIG. 6 is a further top perspective view of the chassis with mirror of FIG. 1;

FIG. 7 is an underneath perspective view of the chassis with mirror of FIG. 1; and,

FIG. 8 is a further underneath perspective view of the chassis with mirror of FIG. 1.

**1 Claim, 7 Drawing Sheets**



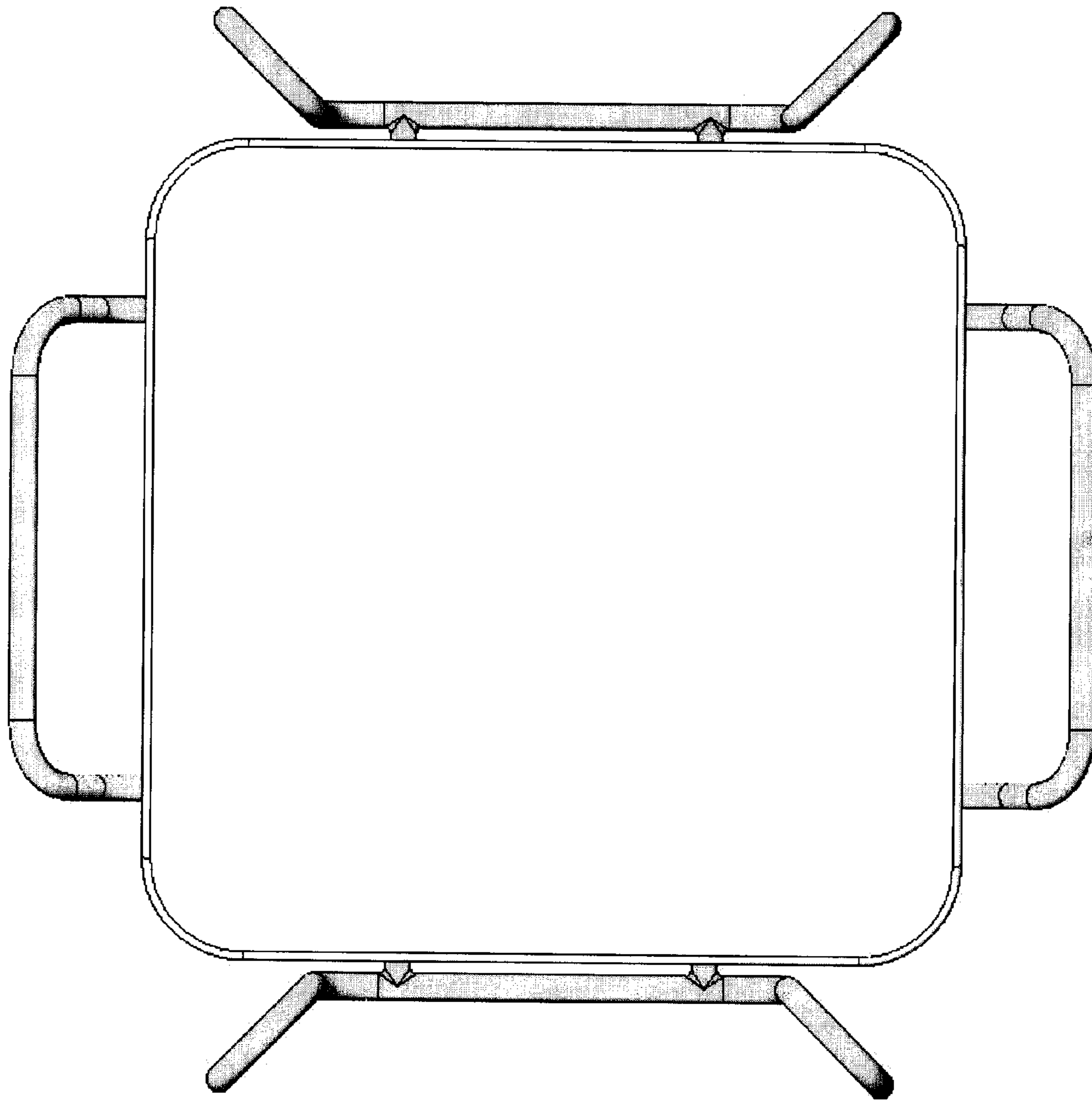


FIG 1

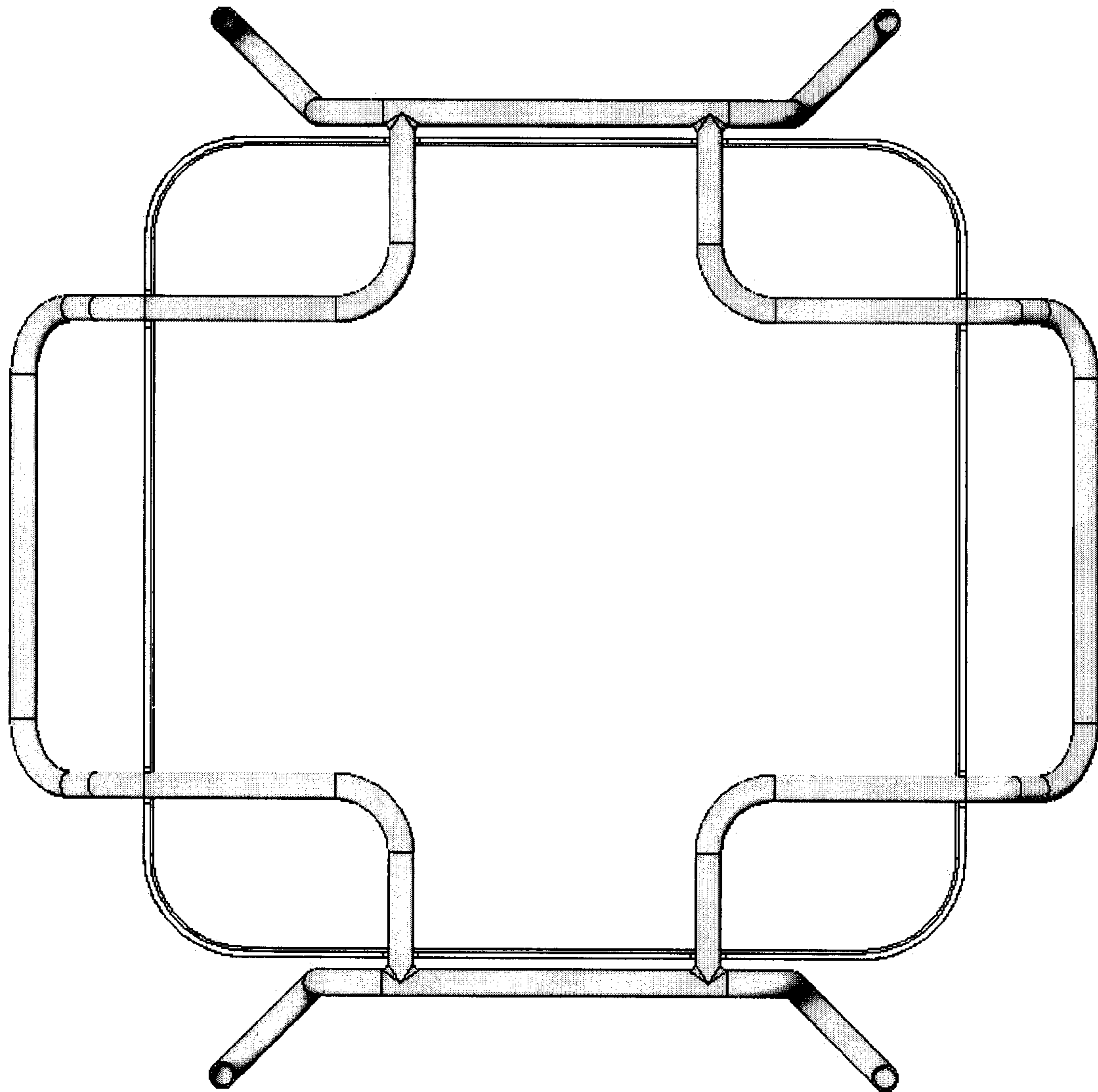


FIG 2

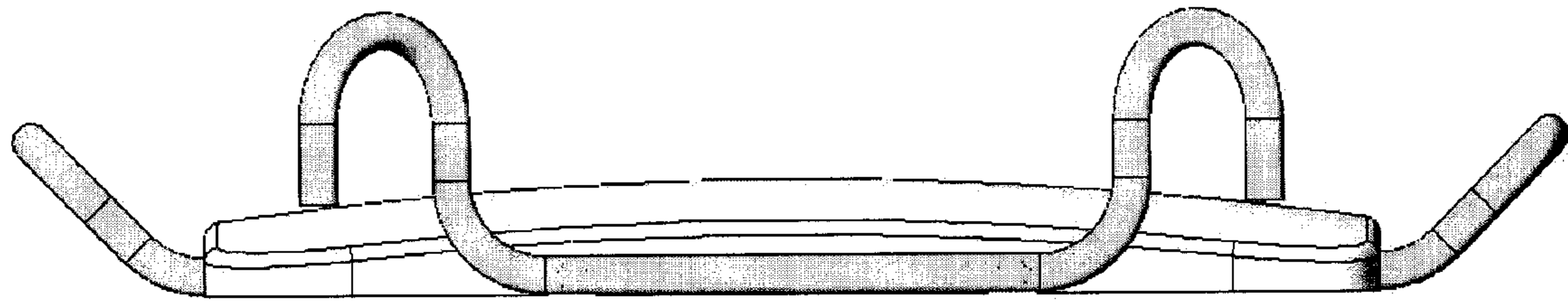


FIG 3

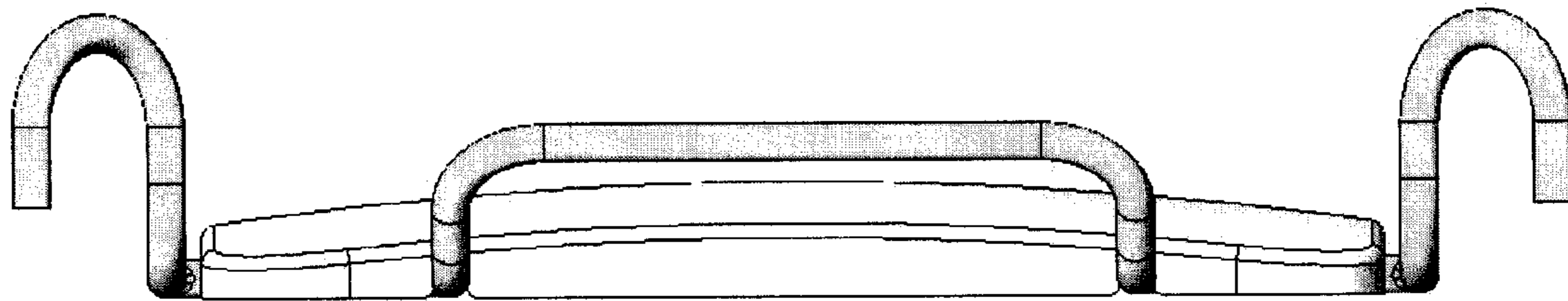


FIG 4

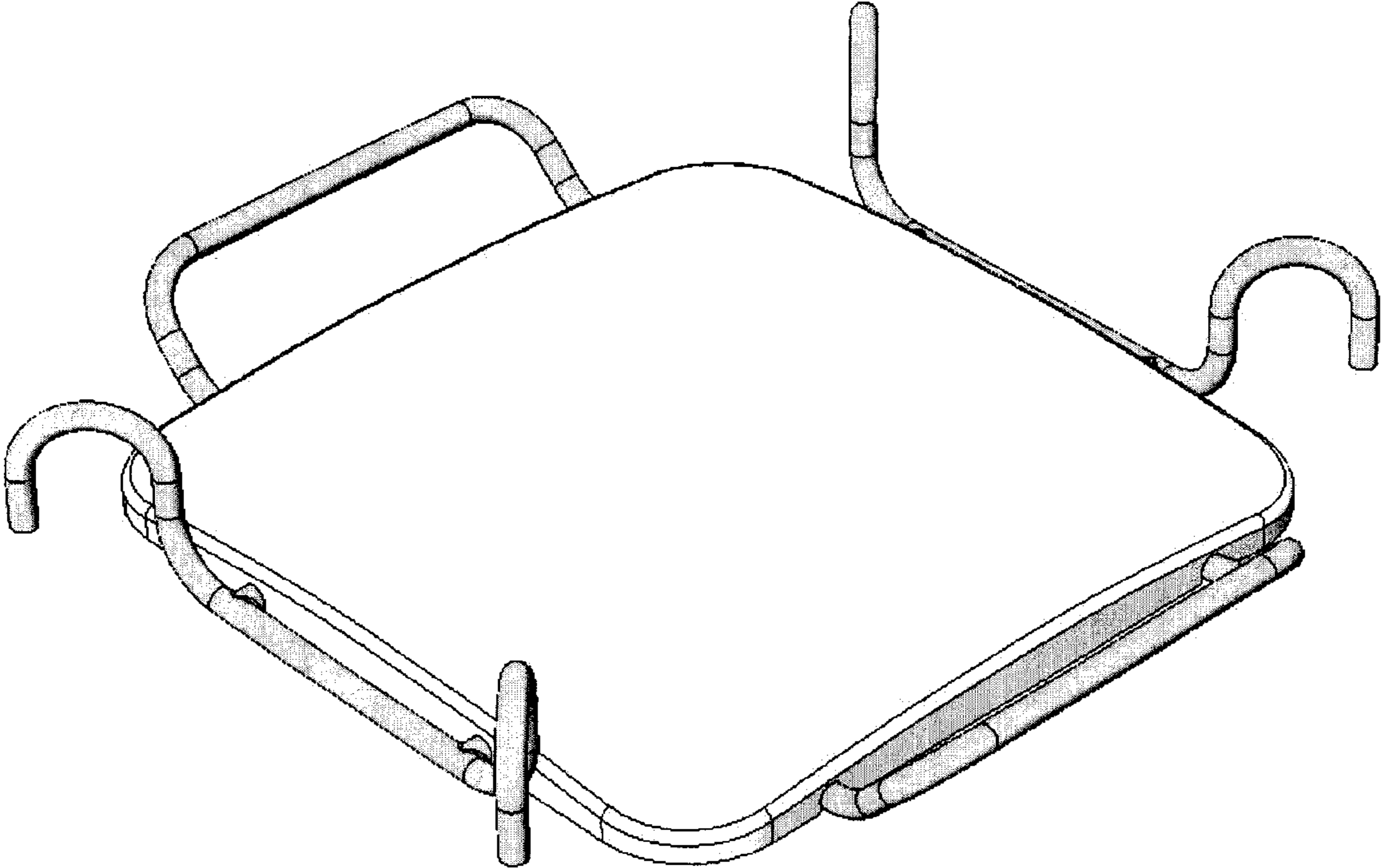


FIG 5

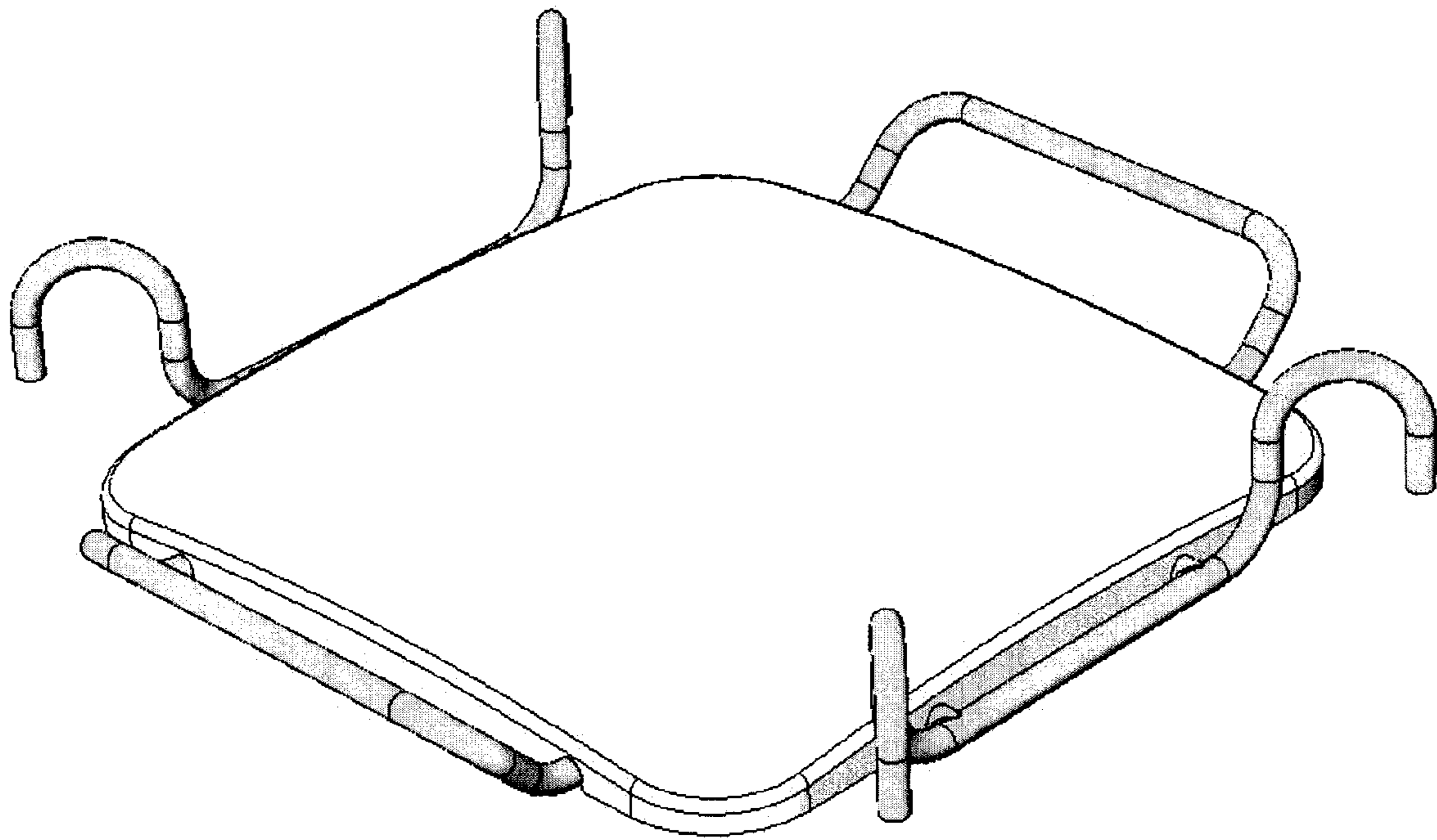


FIG 6

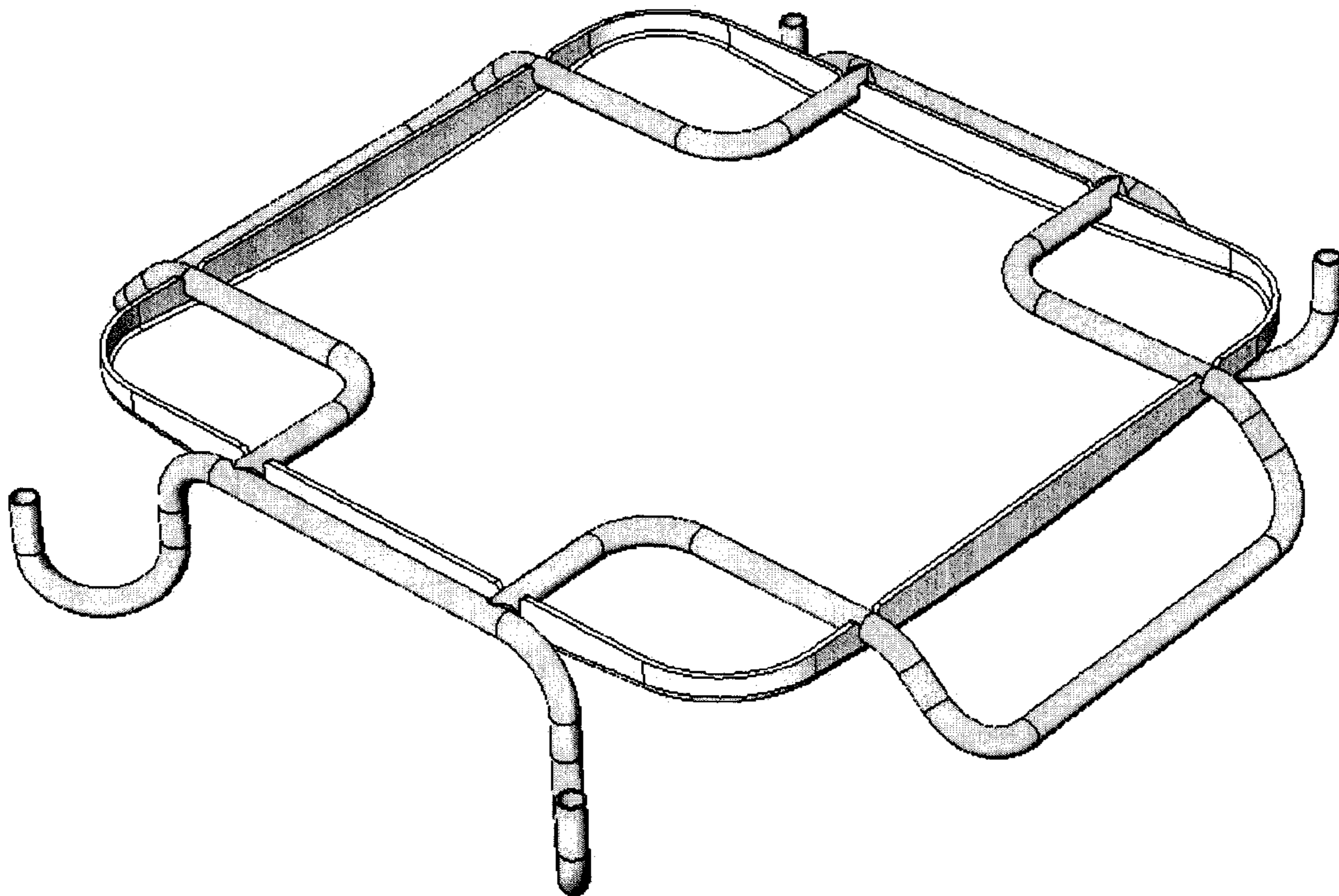


FIG 7

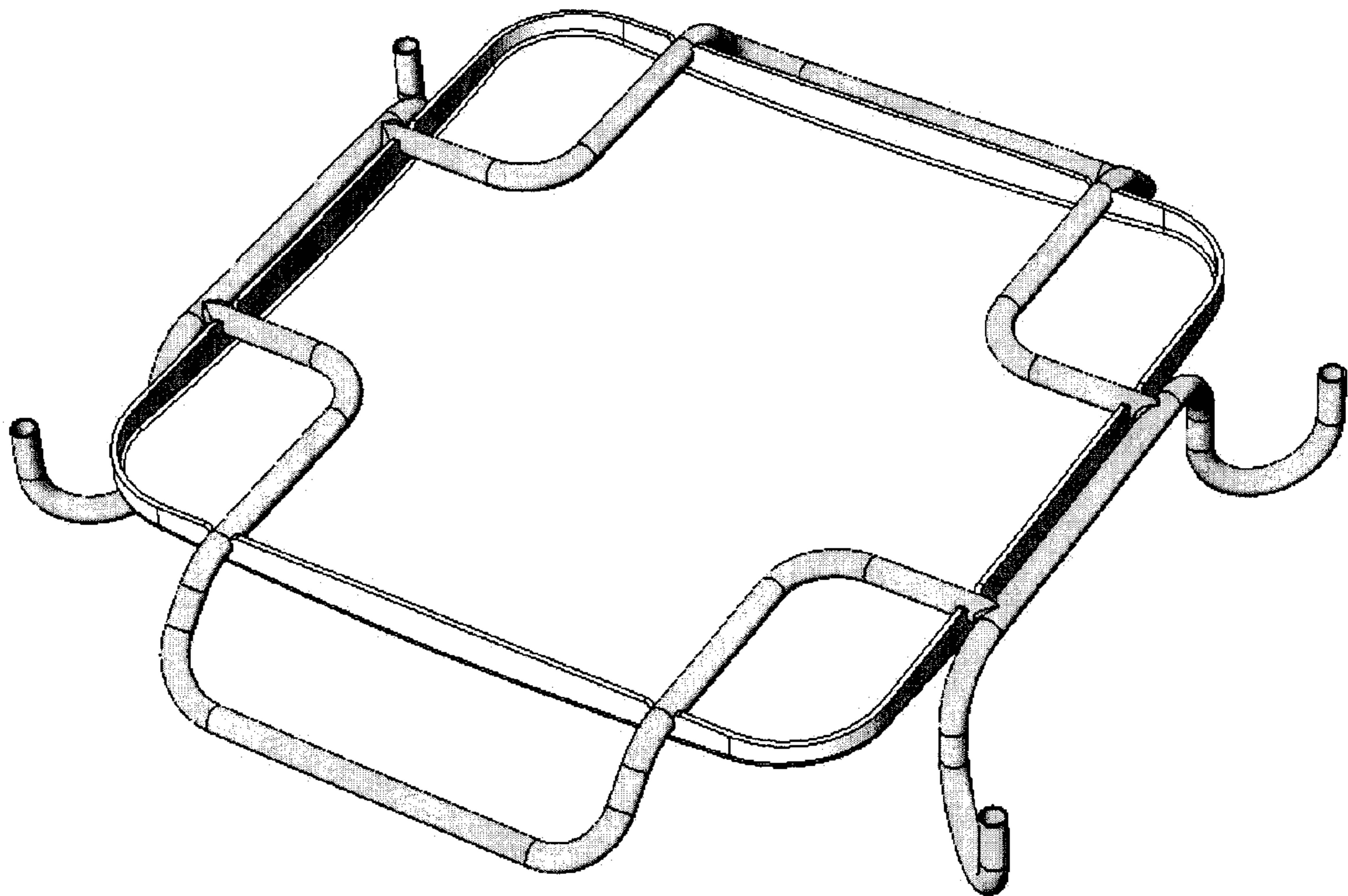


FIG 8