



US00D549414S

(12) **United States Design Patent** (10) **Patent No.:** **US D549,414 S**  
**Van Landingham, Jr.** (45) **Date of Patent:** **\*\* Aug. 21, 2007**

- (54) **MOP FRAME** 3,099,855 A 8/1963 Nash  
 3,145,406 A 8/1964 Lay  
 (75) Inventor: **Alfred Reneau Van Landingham, Jr.,** 3,187,363 A 6/1965 Auwarter  
 Stephens City, VA (US) D204,662 S 5/1966 Benjamin  
 D206,933 S 2/1967 Gibbs  
 (73) Assignee: **Rubbermaid Commercial Products** 3,341,876 A 9/1967 Campbell  
 LLC, Winchester, VA (US) 3,358,313 A 12/1967 Grimes, Sr.  
 3,407,424 A 10/1968 Lanzarone et al.

(\*\*) Term: **14 Years** (Continued)

(21) Appl. No.: **29/222,440**

FOREIGN PATENT DOCUMENTS

(22) Filed: **Jan. 31, 2005**

BE 523195 1/1956

(Continued)

(51) **LOC (8) Cl.** ..... **04-01**

(52) **U.S. Cl.** ..... **D32/50**

(58) **Field of Classification Search** ..... D32/40,  
D32/50; D4/199; 15/146, 147.1, 147.2,  
15/229.1-229.9, 150

*Primary Examiner*—Alan P. Douglas  
*Assistant Examiner*—Barbara Fox  
(74) *Attorney, Agent, or Firm*—Foley & Lardner LLP

See application file for complete search history.

(57) **CLAIM**

(56) **References Cited**

The ornamental design for a mop frame, as shown and described.

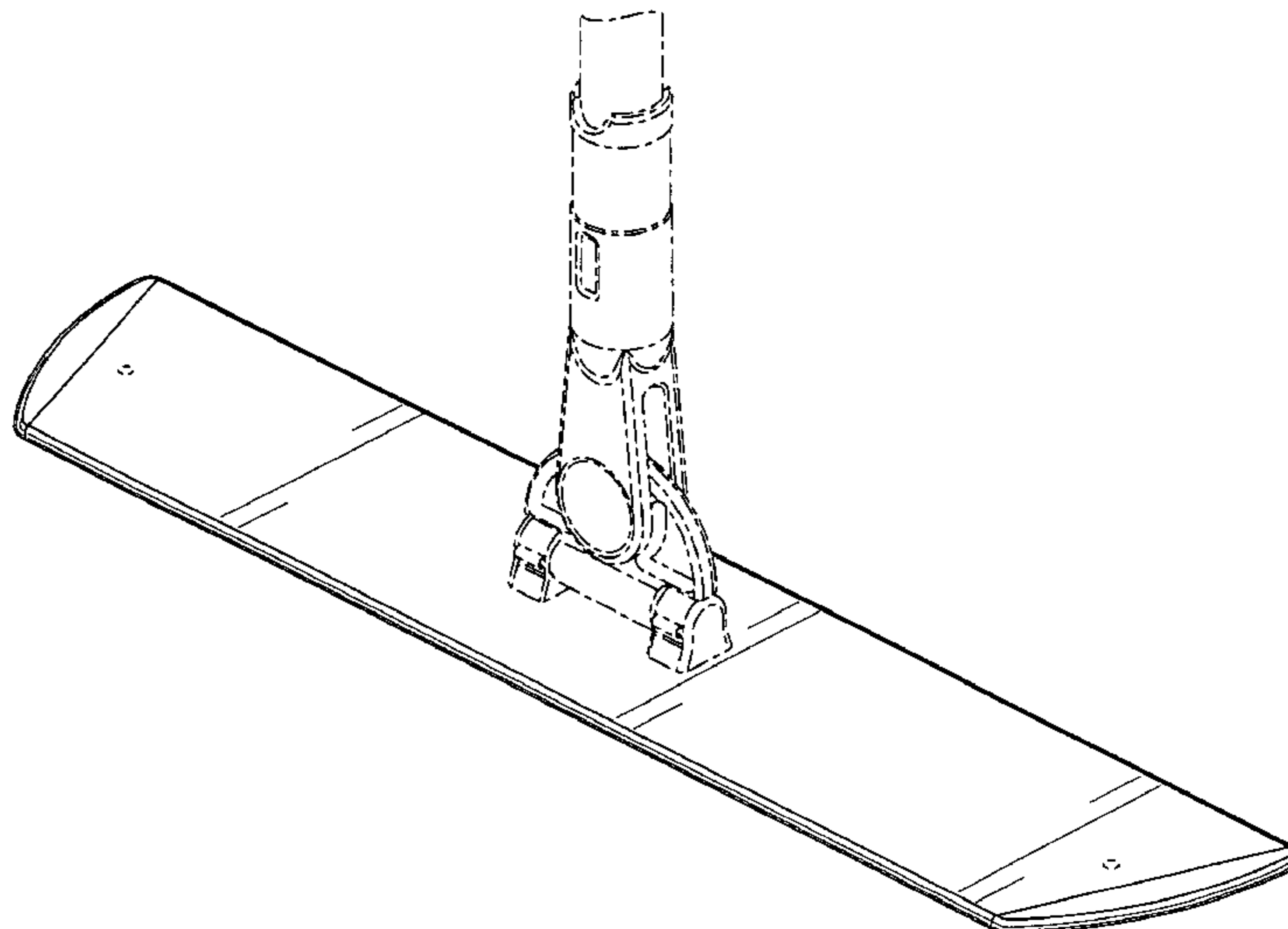
U.S. PATENT DOCUMENTS

**DESCRIPTION**

- 1,184,543 A 5/1916 Lepak  
 1,234,721 A 7/1917 Boggess  
 1,486,284 A 3/1924 Eiffe  
 1,816,861 A 8/1931 Mancuso  
 1,929,848 A 10/1933 Neely  
 1,932,099 A 10/1933 Cabana  
 1,955,445 A 4/1934 Wenger  
 2,021,977 A 11/1935 Allen et al.  
 2,023,134 A 12/1935 Gringer  
 2,123,813 A 7/1938 Stiles  
 2,134,301 A 10/1938 Guggenbuehler  
 2,252,436 A 8/1941 MacGraham  
 2,262,334 A 11/1941 Rugaard  
 2,277,676 A 3/1942 Blanchard  
 2,753,579 A 7/1956 Kussmann  
 2,793,383 A 5/1957 Nomiya  
 2,870,475 A 1/1959 Scheuer et al.  
 2,932,047 A 4/1960 Johnston

FIG. 1 is a top frontal isometric view of a mop handle according to my new design;  
FIG. 2 is a front view of the mop frame shown in FIG. 1;  
FIG. 3 is a back view of the mop frame shown in FIG. 1;  
FIG. 4 is a left side view of the mop frame shown in FIG. 1;  
FIG. 5 is a right side view of the mop frame shown in FIG. 1;  
FIG. 6 is a top view of the mop frame shown in FIG. 1; and,  
FIG. 7 is a bottom view of the mop frame shown in FIG. 1.  
The broken lines in the drawings are for illustrative purposes only and form no part of the claimed design.

**1 Claim, 6 Drawing Sheets**









# US D549,414 S

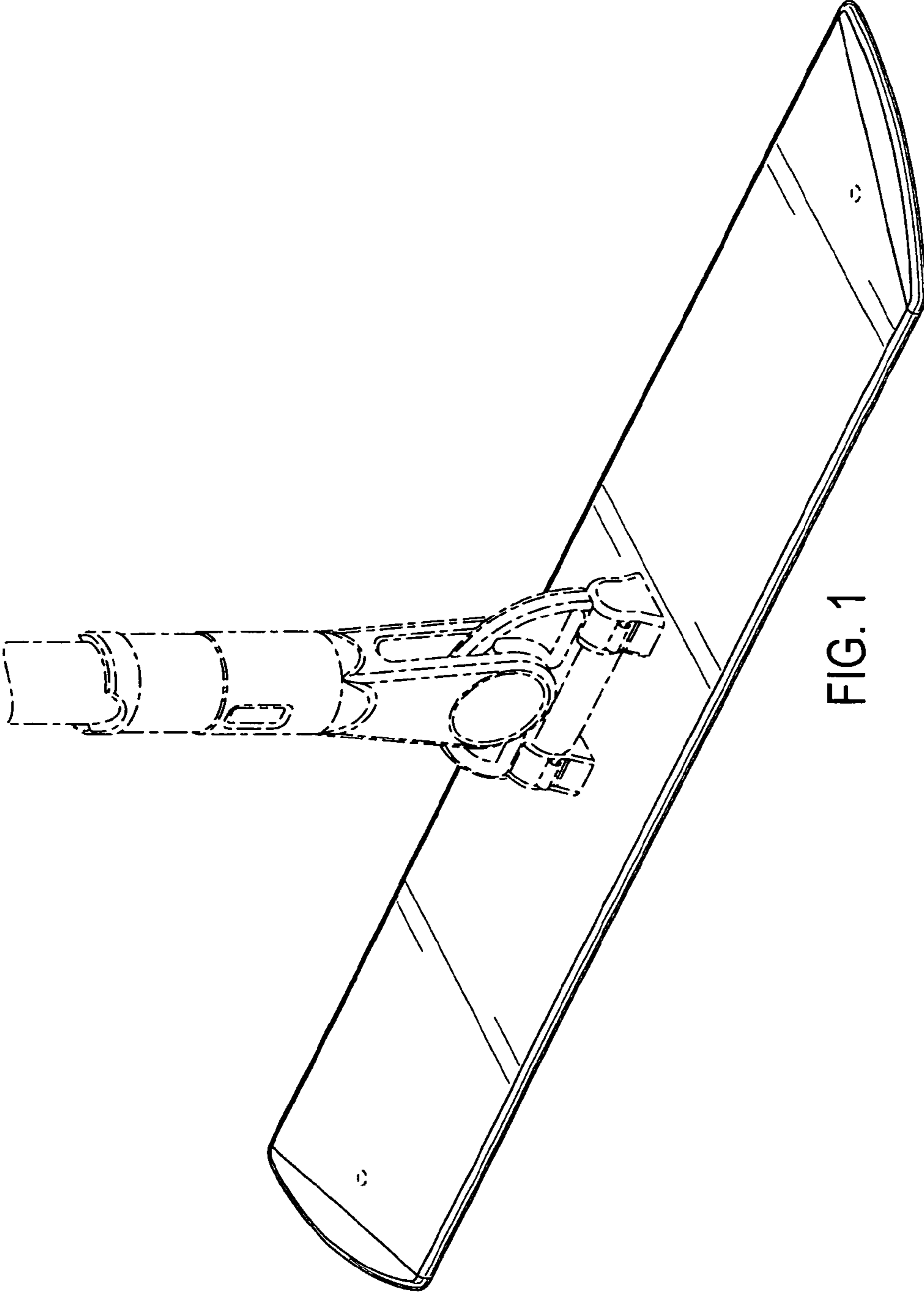
Page 5

---

WO WO98/23199 A1 6/1998  
WO WO98/36676 A1 8/1998  
WO WO98/42246 A1 10/1998  
WO WO99/07523 A1 2/1999  
WO WO99/11171 A1 3/1999  
WO DM/049824 \* 11/1999  
WO WO99/63879 A1 12/1999  
WO WO99/66825 A1 12/1999  
WO WO 00/27271 A2 5/2000  
WO WO 00/69321 A 11/2000  
WO WO 01/06137 A1 1/2001  
WO WO 01/22860 A1 4/2001  
WO WO 01/22861 A2 4/2001

WO WO 01/39653 A1 6/2001  
WO WO 01/45547 A1 6/2001  
WO WO 01/54867 A1 8/2001  
WO WO 01/67941 A1 9/2001  
WO WO 01/67942 A1 9/2001  
WO WO 02/00085 A2 1/2002  
WO WO 02/083370 A1 10/2002  
WO WO 03/075737 A2 9/2003  
WO WO 03/092965 A2 11/2003  
WO WO 03/099095 A1 12/2003

\* cited by examiner



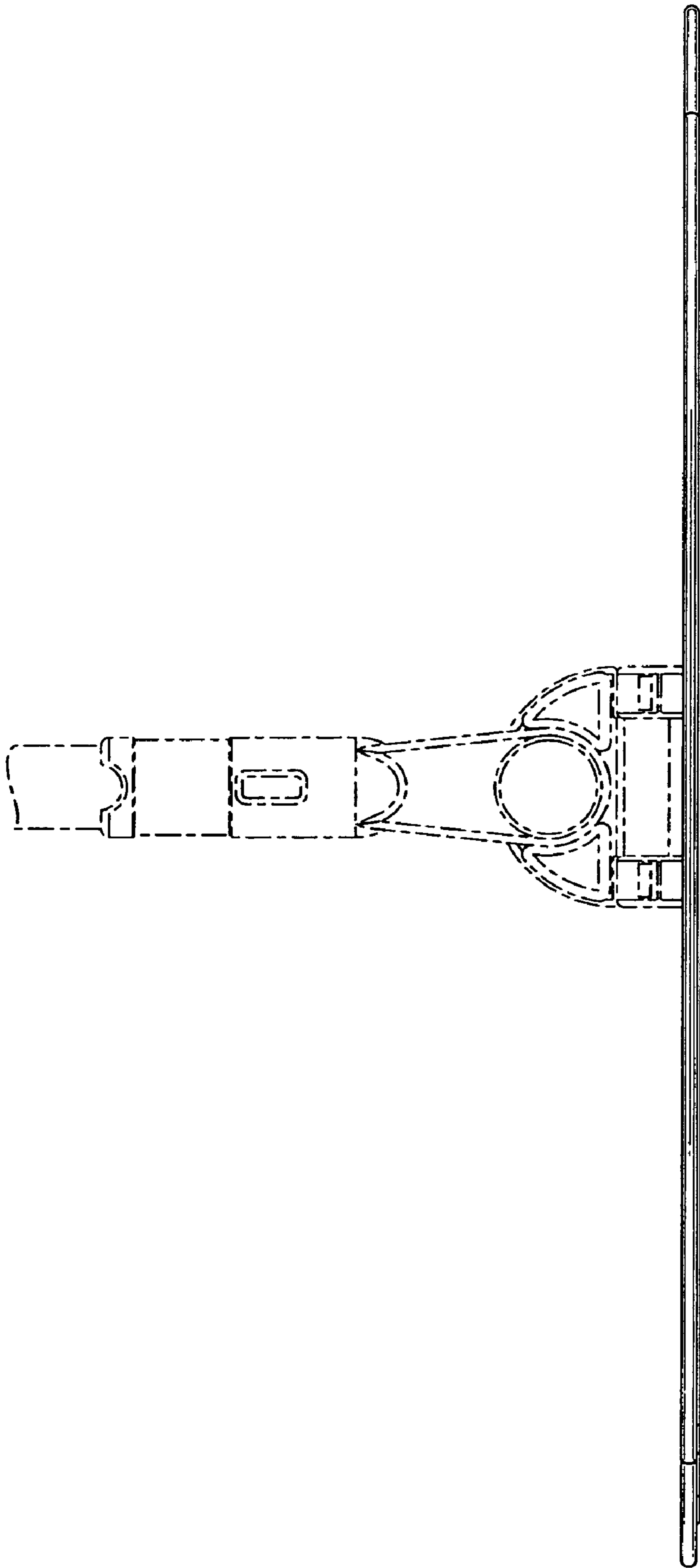


FIG. 2

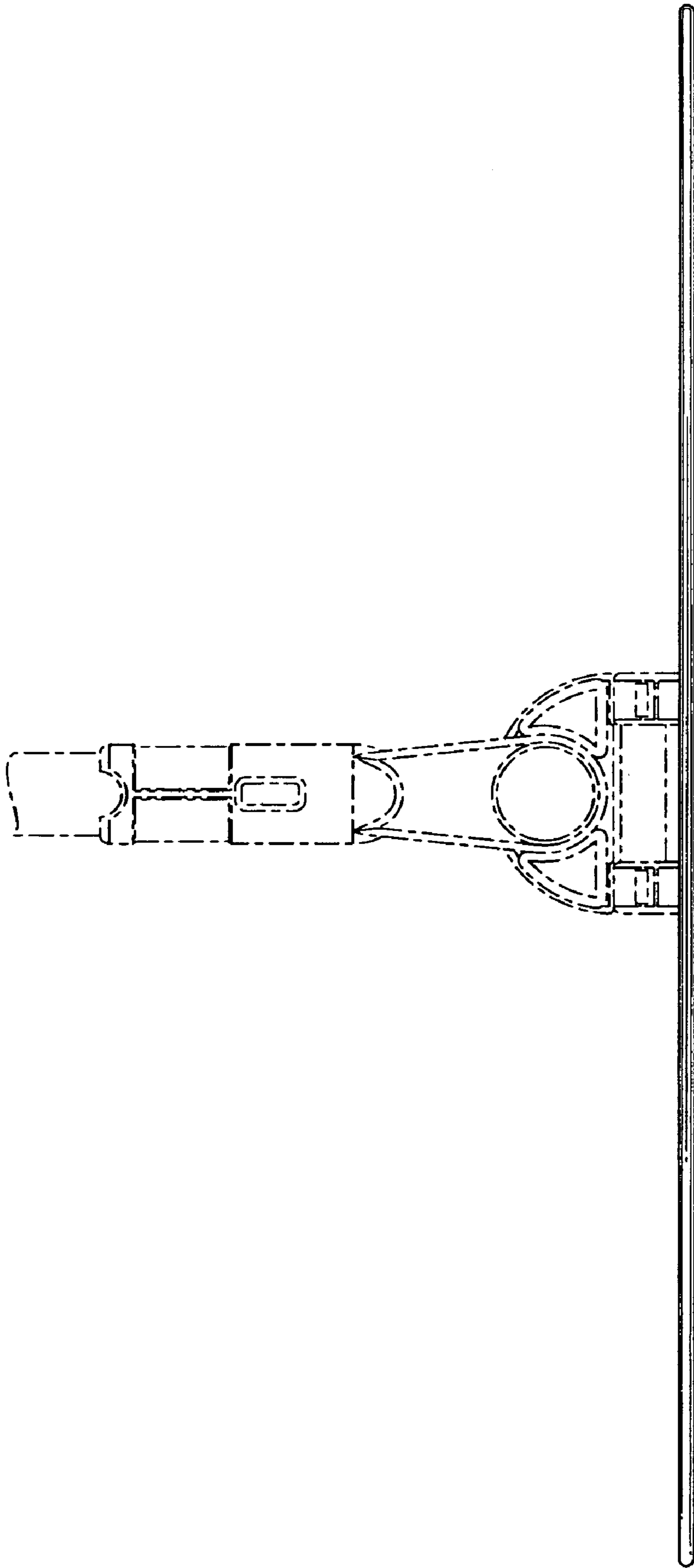


FIG. 3



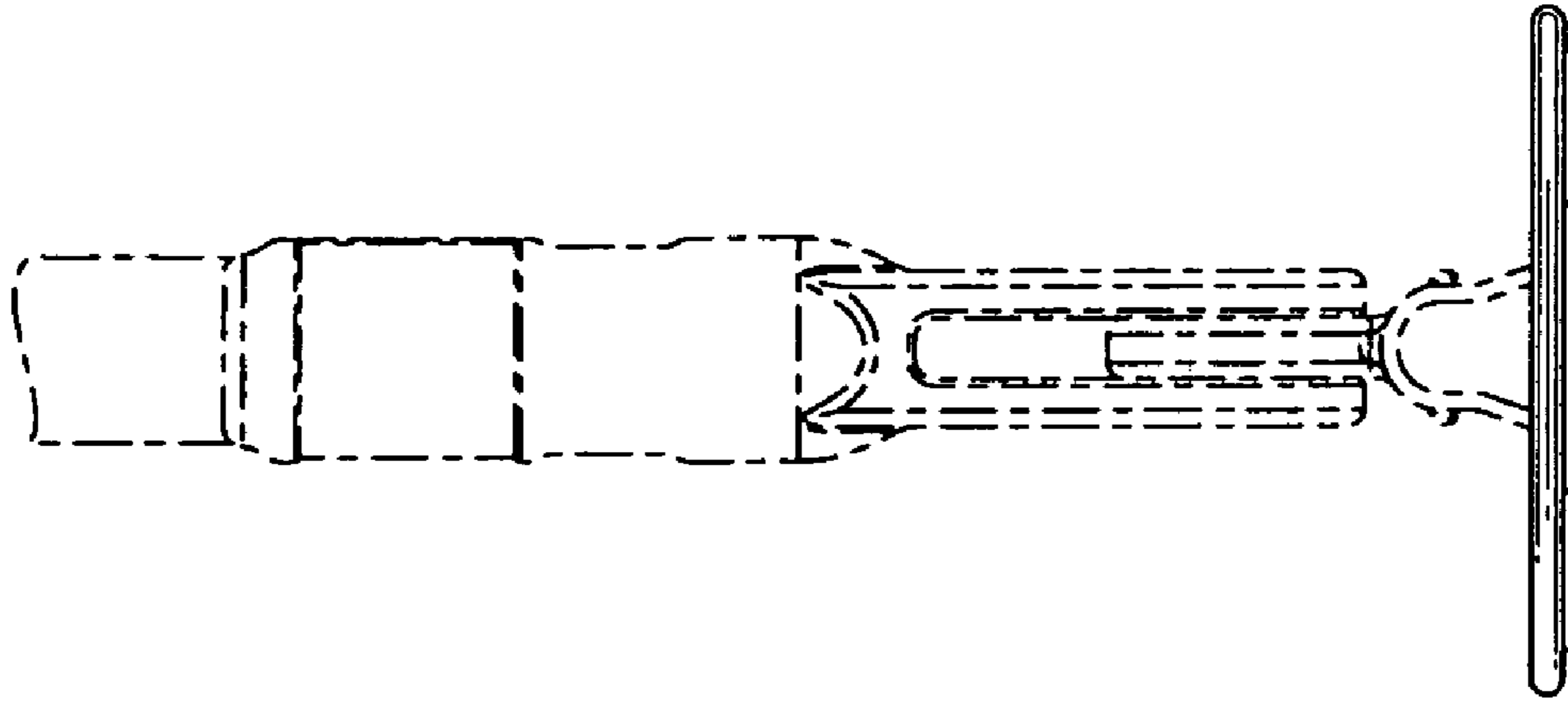


FIG. 5

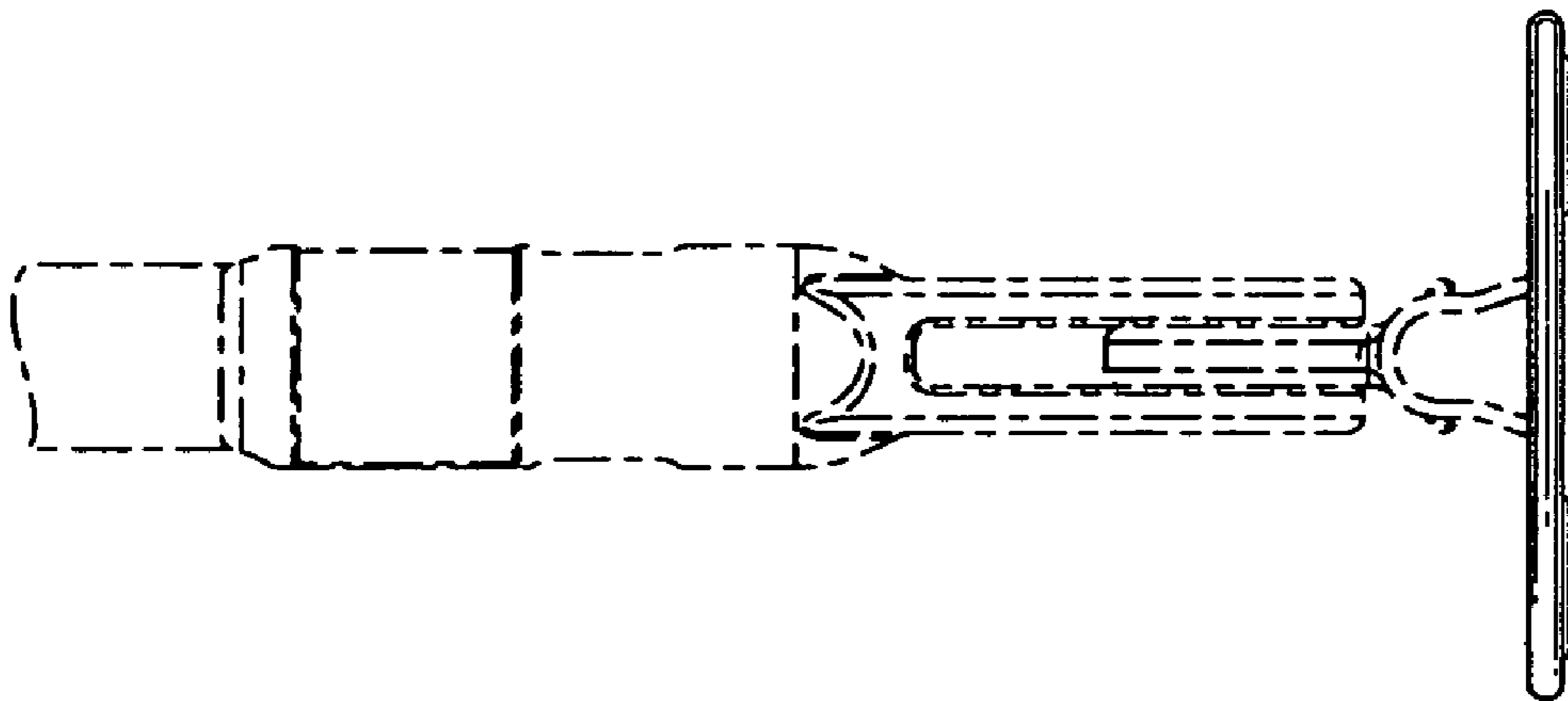


FIG. 4

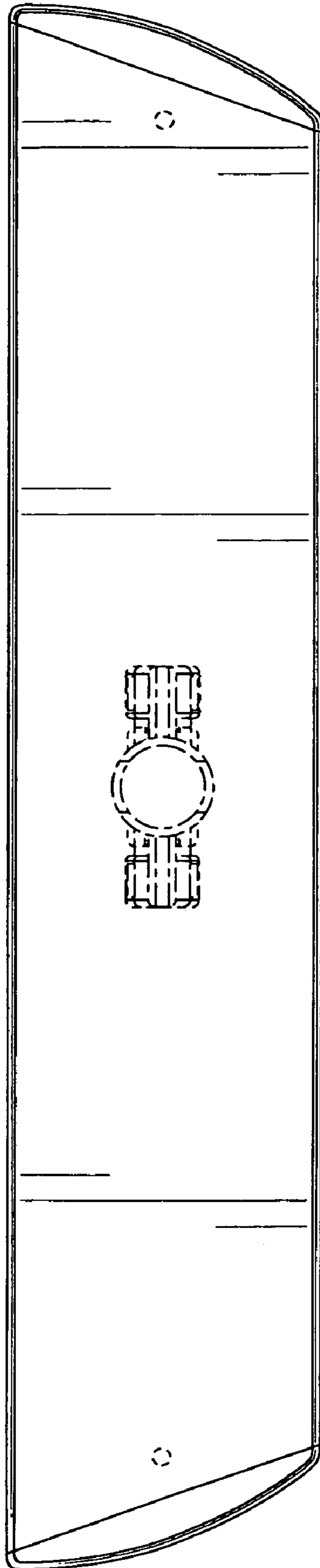


FIG. 6

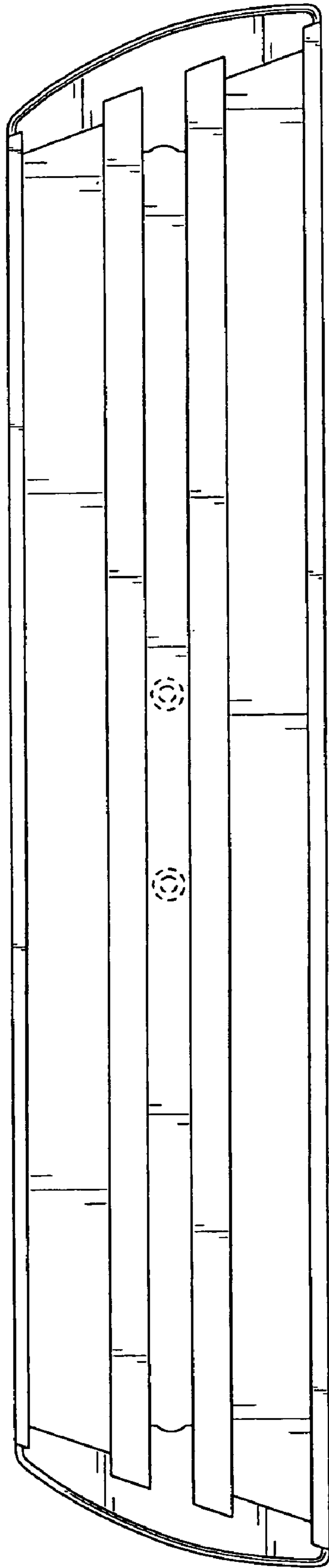


FIG. 7