

US00D549410S

(12) **United States Design Patent** (10) **Patent No.:** **US D549,410 S**  
**Orak et al.** (45) **Date of Patent:** **\*\* Aug. 21, 2007**

(54) **FLOOR SWEEPER**

D501,282 S \* 1/2005 Robertson et al. .... D32/38  
D501,588 S \* 2/2005 Harper et al. .... D32/38

(75) Inventors: **Jacob J. Orak**, Ho Chi Minh (VN);  
**Mauro Porcini**, Bregano (IT); **John M. Simon**, Edina, MN (US); **Byron E. Trotter**, Saint Paul, MN (US); **Lloyd S. Vasilakes**, Stillwater, MN (US)

\* cited by examiner

*Primary Examiner*—Pamela J. Burgess  
(74) *Attorney, Agent, or Firm*—Trisha D. Adamson

(73) Assignee: **3M Innovative Properties Company**,  
St. Paul, MN (US)

(57) **CLAIM**

The ornamental design for a floor sweeper, as shown and described.

(\*\*) Term: **14 Years**

(21) Appl. No.: **29/250,511**

**DESCRIPTION**

(22) Filed: **Nov. 17, 2006**

FIG. 1 is a perspective view of a floor sweeper;  
FIG. 2 is a right side view thereof, the left side view being a mirror image thereof;  
FIG. 3 is a top view thereof;  
FIG. 4 is a bottom view thereof;  
FIG. 5 is a front view thereof; and,  
FIG. 6 is a rear view thereof.

(51) **LOC (8) Cl.** ..... **15-05**

(52) **U.S. Cl.** ..... **D32/38**

(58) **Field of Classification Search** ..... D32/21–22,  
D32/30–34, 38–39; 15/41.1, 42–46, 48,  
15/48.1, 79.1, 49.1, 50.3, 415; 16/DIG. 41;  
228/104.002, 179, 183; 401/137–139

See application file for complete search history.

Any broken lines in the drawings are shown for illustrative purposes only and form no part of the claimed design. In addition, the surface shading illustrated in the drawings is provided merely to highlight the contour of the design; it is not intended to be illustrative of texture or gloss.

(56) **References Cited**

**U.S. PATENT DOCUMENTS**

3,628,211 A \* 12/1971 Fukuba ..... 15/42  
4,168,561 A \* 9/1979 Rosendall ..... 15/42  
D312,154 S 11/1990 Kuroda  
D317,067 S 5/1991 Kuroda  
D349,793 S \* 8/1994 Zahuranec et al. .... D32/38  
D391,708 S \* 3/1998 Canavan et al. .... D32/38

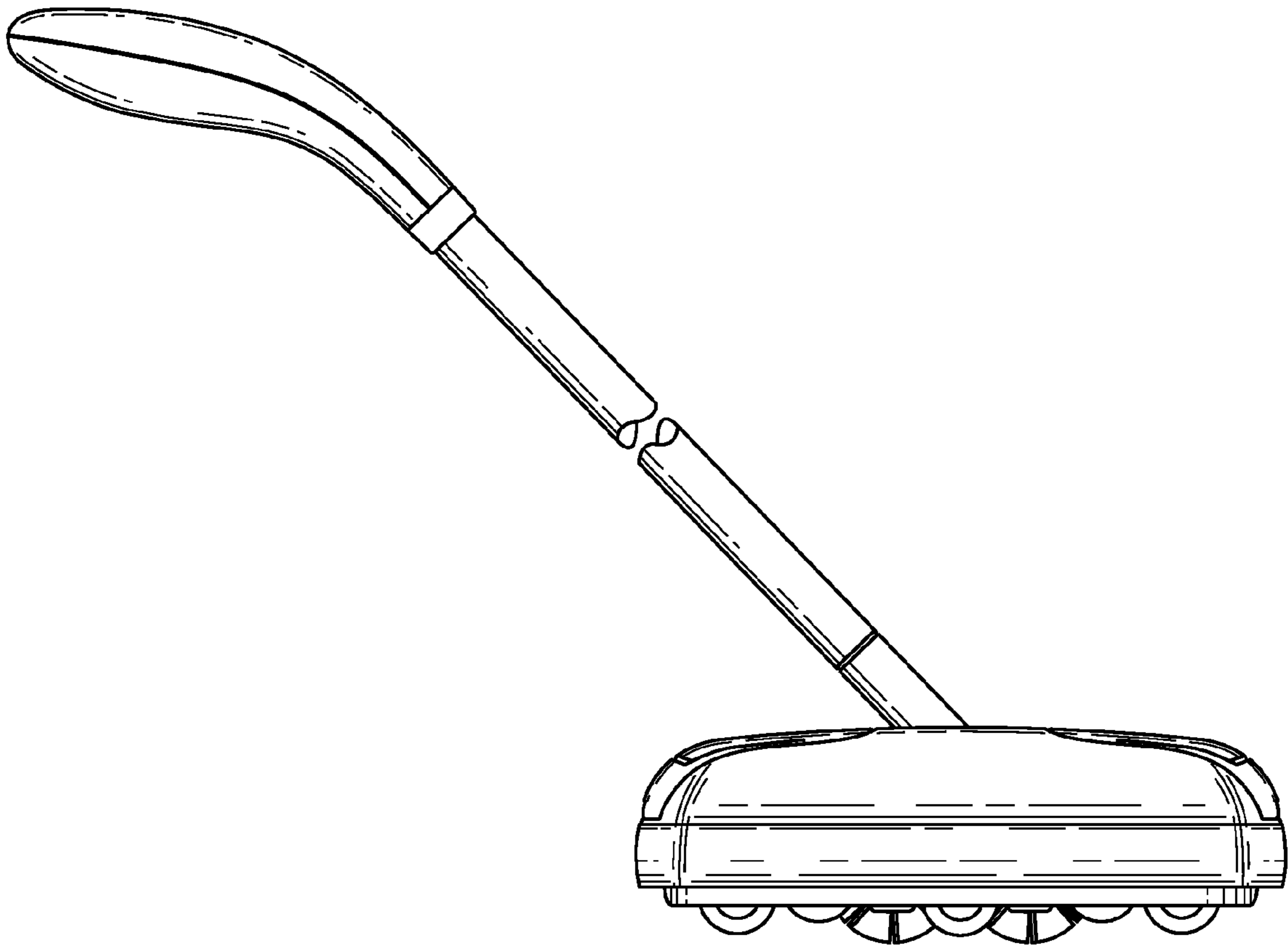
The break in the handle portion of the design is shown to illustrate that the handle of the claimed design is of indeterminate length.

**1 Claim, 6 Drawing Sheets**

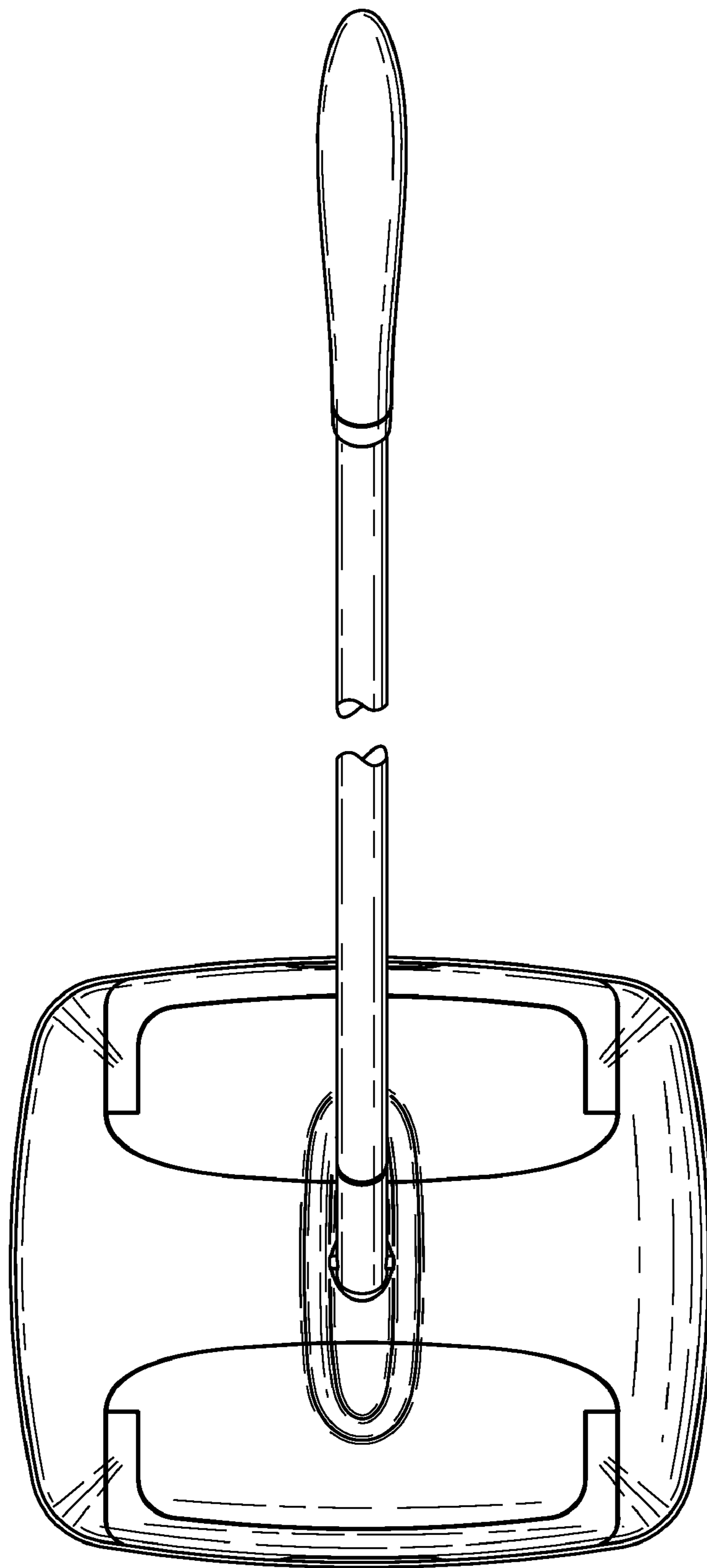




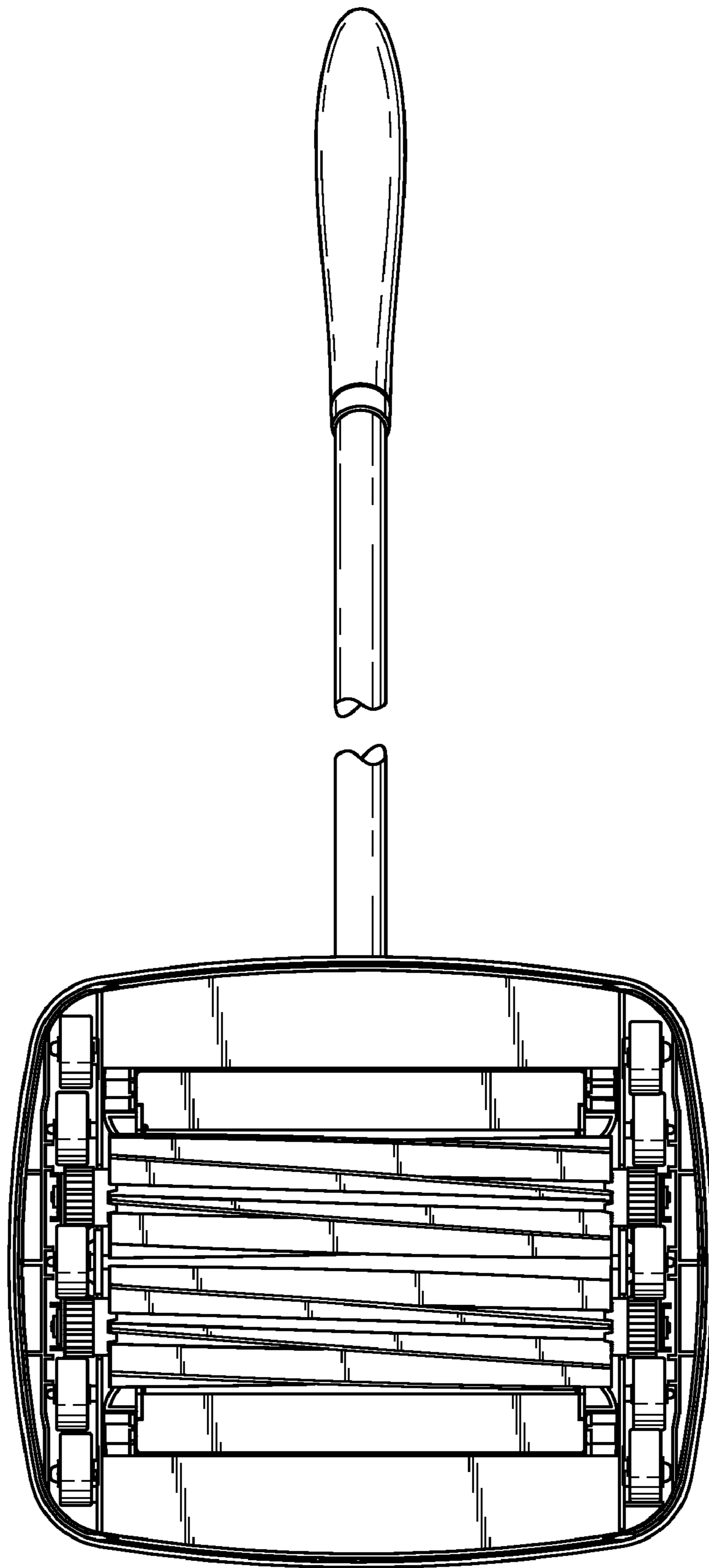
*Fig. 1*



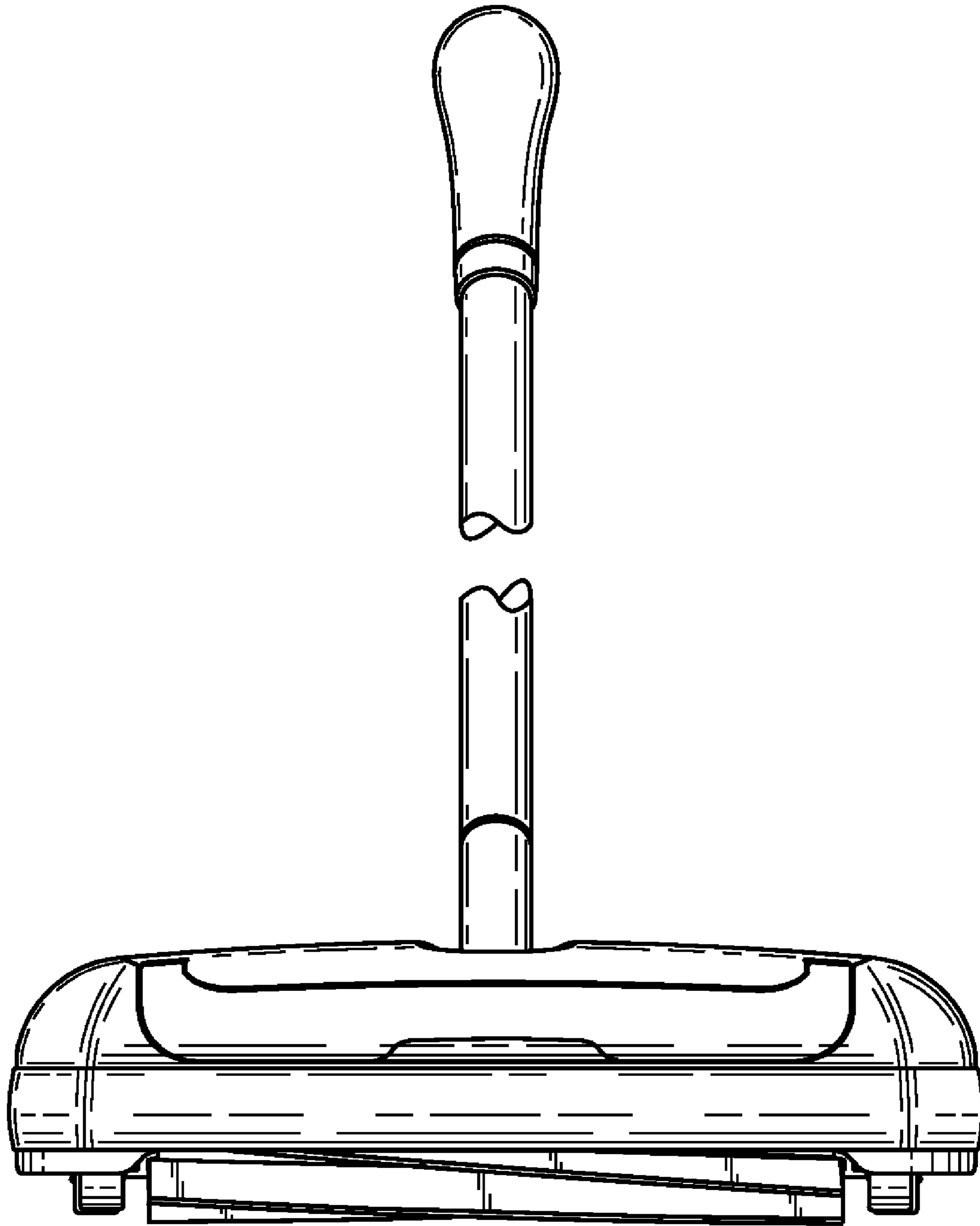
*Fig. 2*



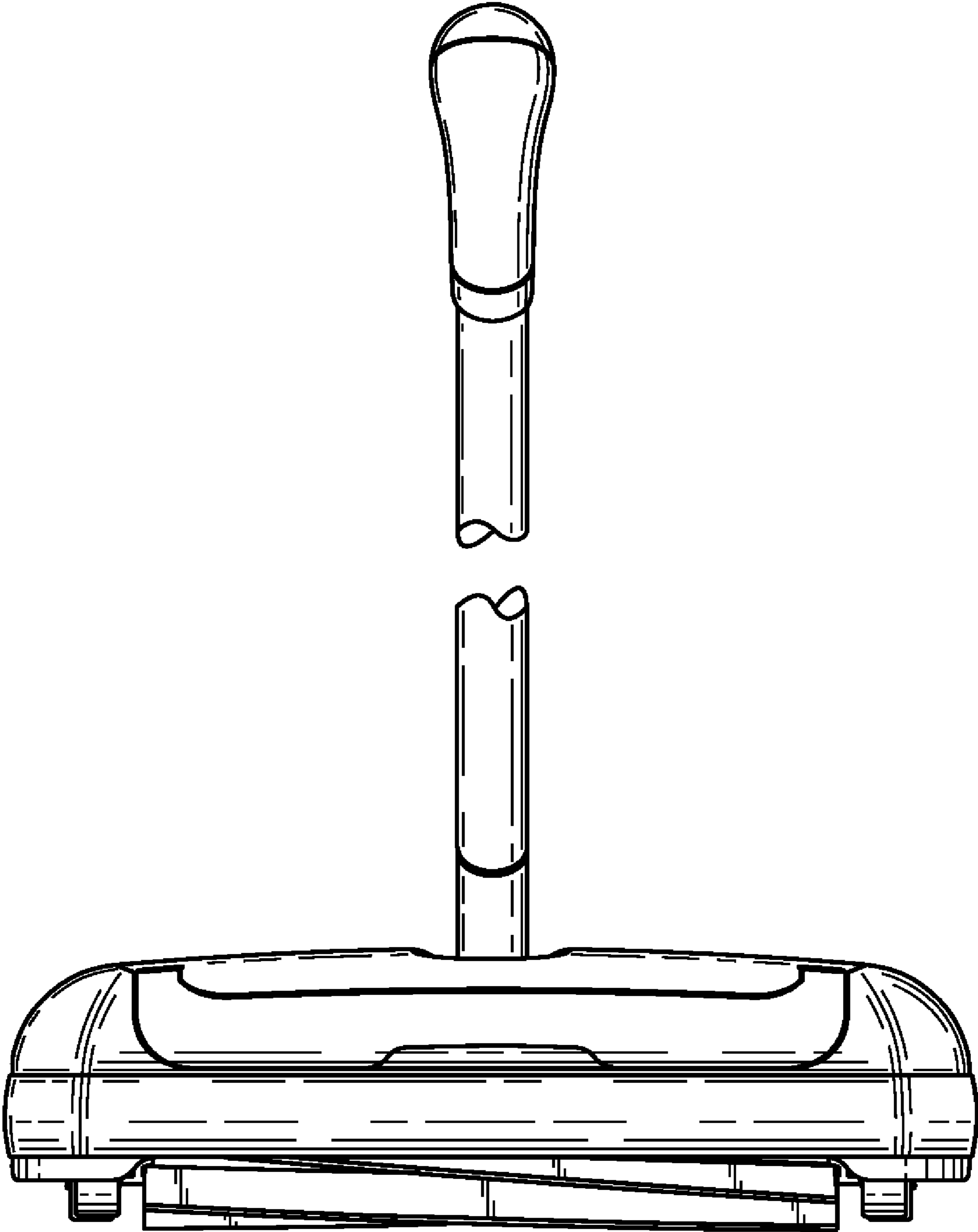
*Fig. 3*



*Fig. 4*



*Fig. 5*



*Fig. 6*