

US00D549408S

(12) **United States Design Patent**
Lee

(10) **Patent No.:** **US D549,408 S**

(45) **Date of Patent:** **** Aug. 21, 2007**

(54) **CABINET FOR DRUM WASHER**

(75) Inventor: **Seon-Ju Lee**, Seoul (KR)

(73) Assignee: **Samsung Electronics Co., Ltd.**,
Kyunggi-do (KR)

(**) Term: **14 Years**

(21) Appl. No.: **29/262,194**

(22) Filed: **Jun. 28, 2006**

(51) **LOC (8) Cl.** **15-05**

(52) **U.S. Cl.** **D32/25**

(58) **Field of Classification Search** D32/1,
D32/6-10, 25, 58, 2, 3, 5, 12; 68/3 R, 5 R,
68/12.01, 4, 212; 34/523-524; 312/31;
38/1 A; D7/339, 348, 349; D6/463, 445,
D6/446, 510

See application file for complete search history.

(56) **References Cited**

U.S. PATENT DOCUMENTS

- D228,167 S * 8/1973 Holmes et al. D6/510
- D466,725 S * 12/2002 Masciale D6/449
- D474,566 S * 5/2003 Baldwin et al. D32/25
- D483,206 S * 12/2003 Schweikarth D6/510

- D502,812 S * 3/2005 Zimmerman D3/297
- D521,702 S * 5/2006 No et al. D32/25
- 2004/0245899 A1* 12/2004 Cho 312/351.2
- 2004/0263032 A1* 12/2004 Cho 312/330.1

* cited by examiner

Primary Examiner—Louis S. Zarfes

Assistant Examiner—Kathleen Sims

(74) *Attorney, Agent, or Firm*—Flynn, Thiel, Boutell &
Tanis, P.C.

(57) **CLAIM**

The ornamental design for a cabinet for drum washer, as shown and described.

DESCRIPTION

FIG. 1 is a top front perspective view of a cabinet for drum washer showing my new design;

FIG. 2 is a front elevational view thereof;

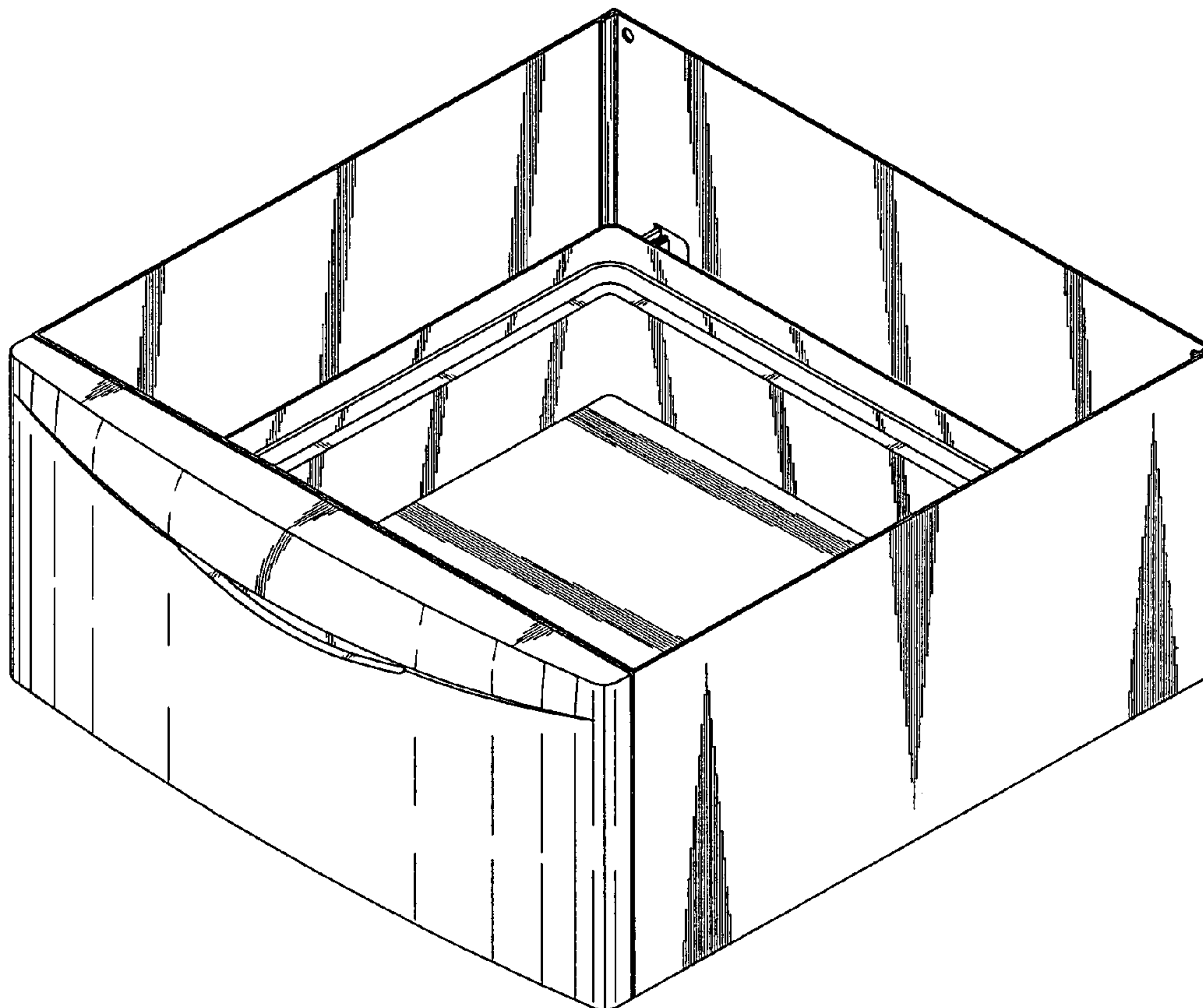
FIG. 3 is a rear elevational view thereof;

FIG. 4 is a left side elevational view, the right side being symmetrical thereof;

FIG. 5 is a top plan view thereof; and,

FIG. 6 is a bottom plan view thereof.

1 Claim, 5 Drawing Sheets



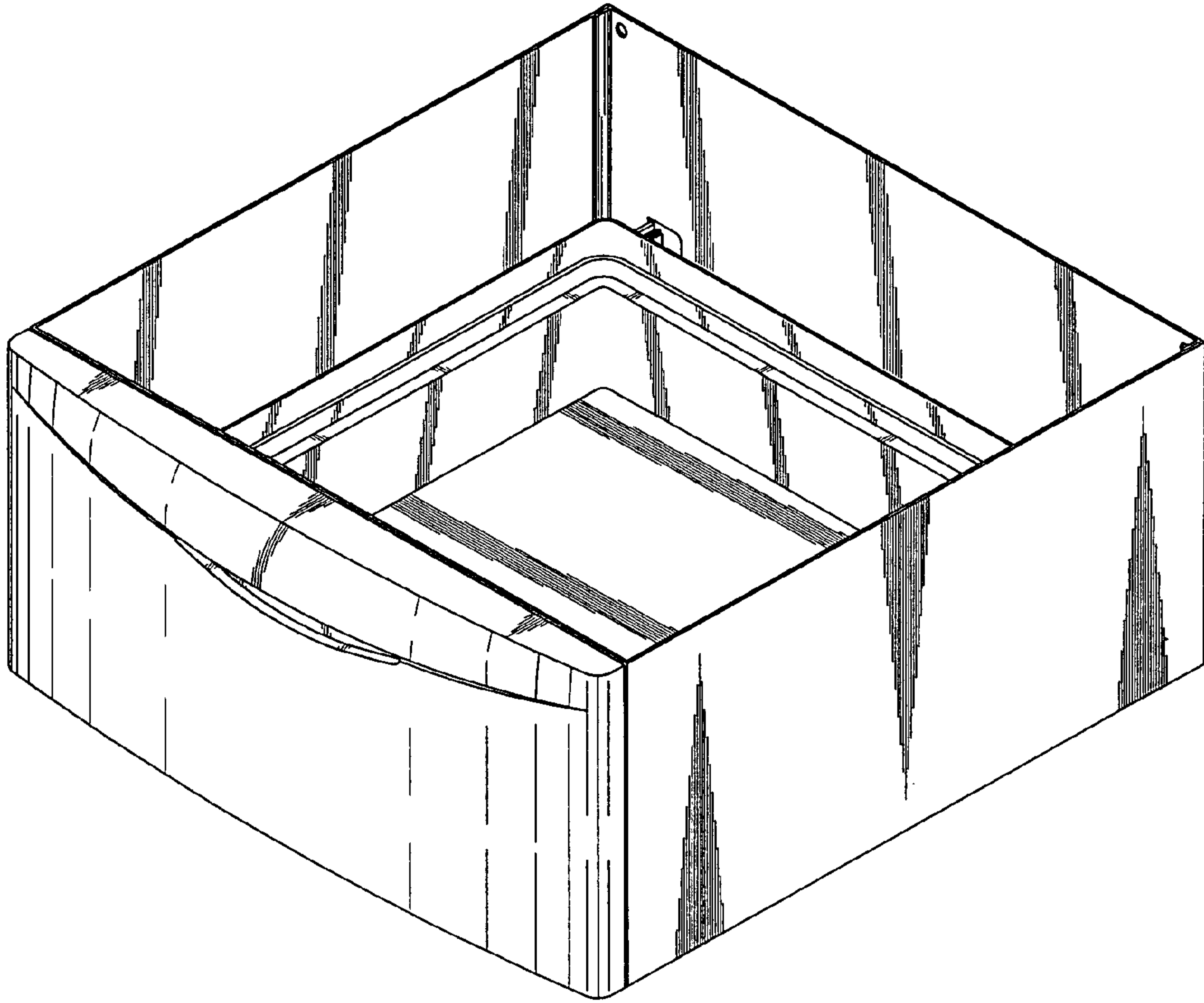


FIG. 1

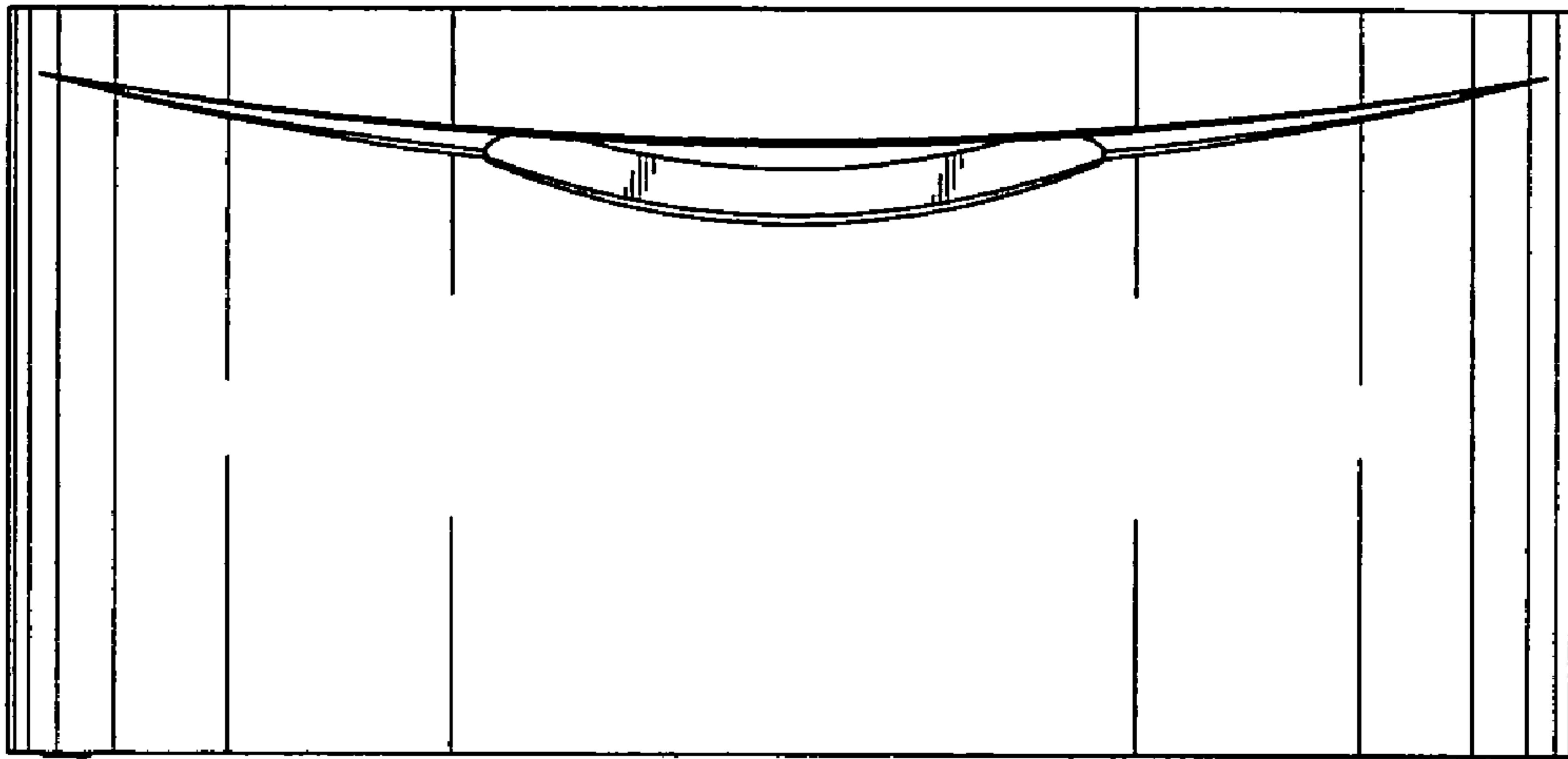


FIG. 2

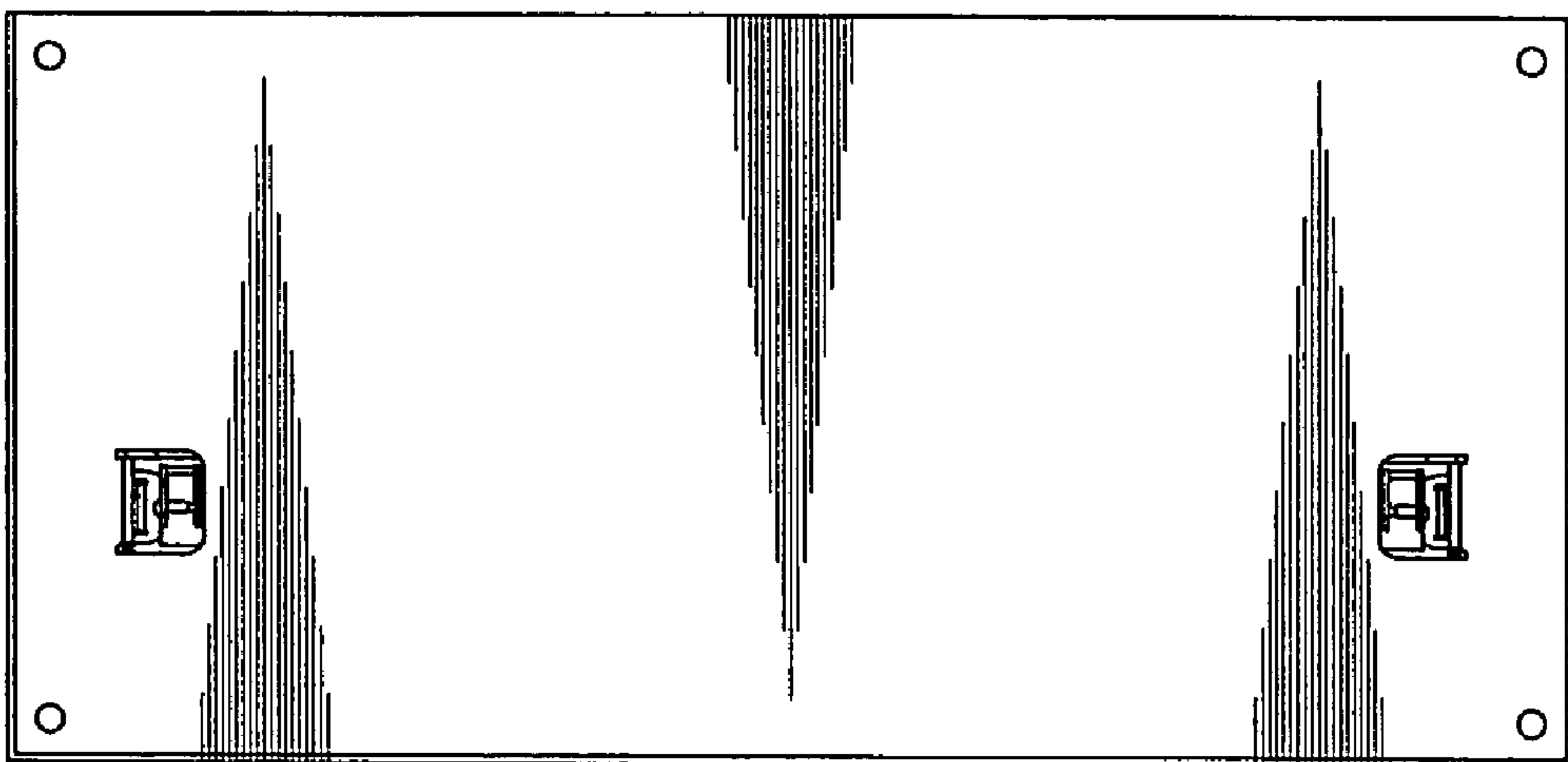


FIG. 3

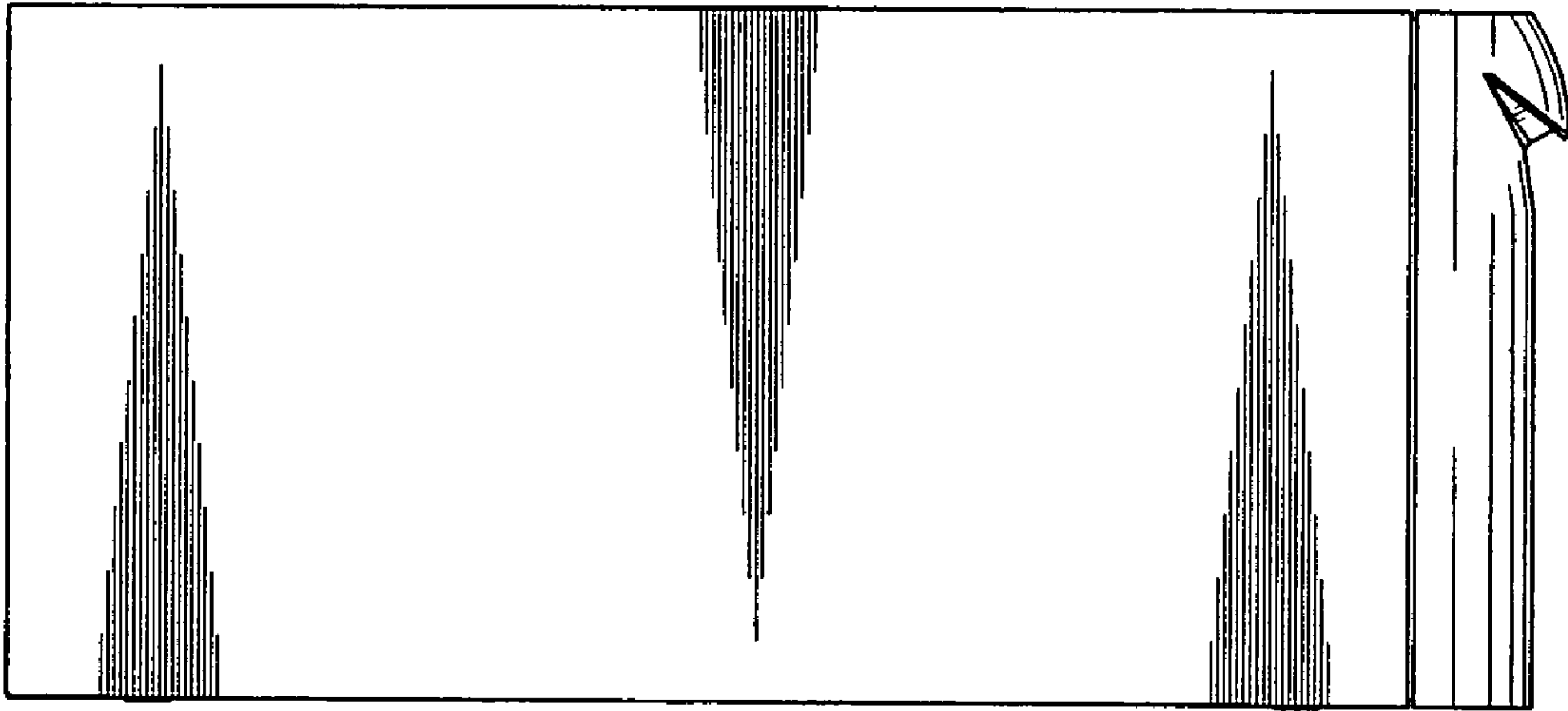


FIG.4

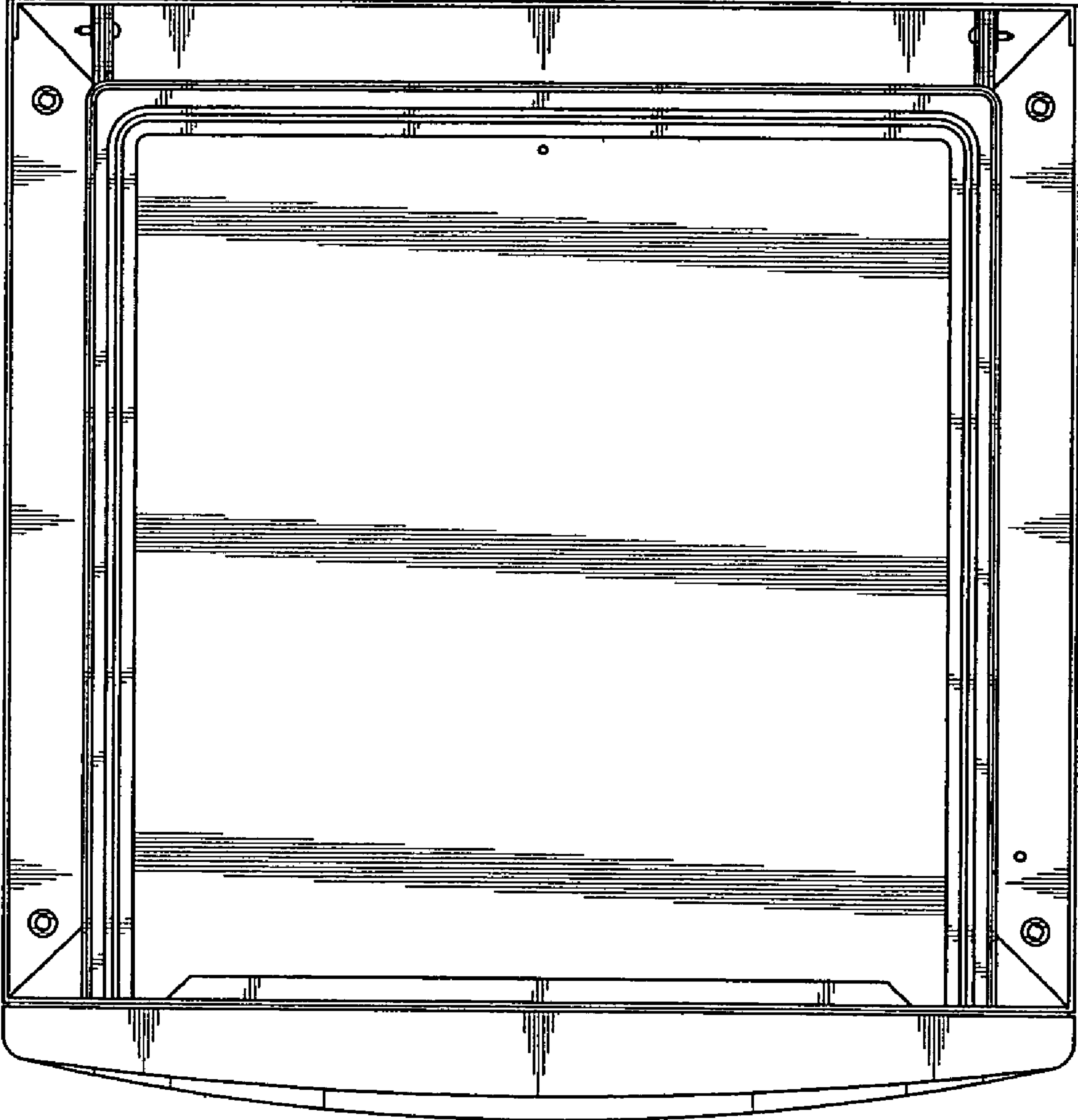


FIG.5

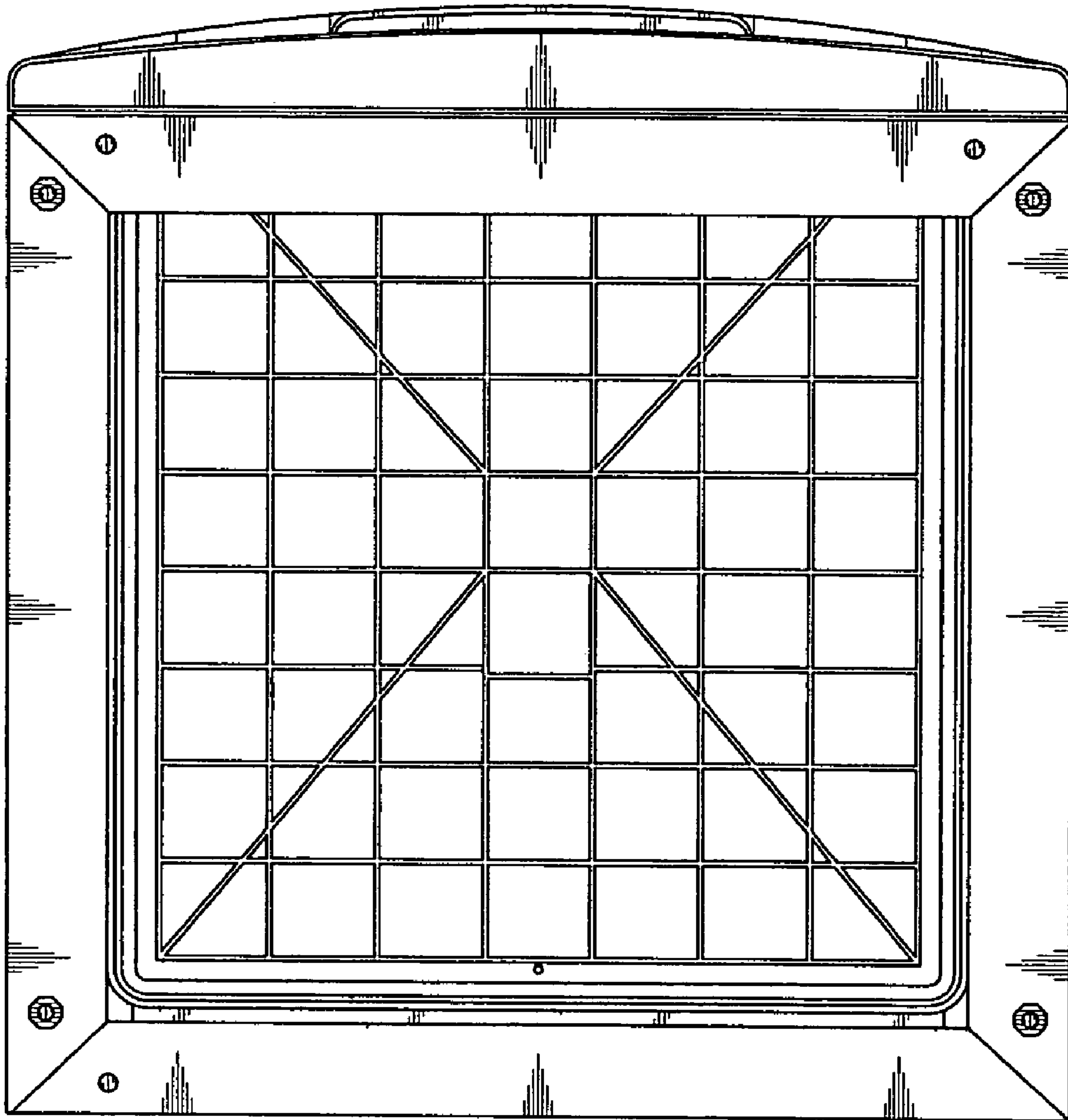


FIG.6