

US00D549406S

(12) **United States Design Patent**
Rosenzweig

(10) **Patent No.:** **US D549,406 S**

(45) **Date of Patent:** **** Aug. 21, 2007**

(54) **STEAMER**

(75) Inventor: **Mark Rosenzweig**, Chestnut Hill, MA (US)

(73) Assignee: **Euro-Pro Operating, LLC**, West Newton, MA (US)

(**) Term: **14 Years**

(21) Appl. No.: **29/270,105**

(22) Filed: **Dec. 15, 2006**

Related U.S. Application Data

(62) Division of application No. 29/221,803, filed on Jan. 21, 2005, now Pat. No. Des. 536,492.

(51) **LOC (8) Cl.** **15-05**

(52) **U.S. Cl.** **D32/17**

(58) **Field of Classification Search** D32/1, D32/15-16, 21, 23-24, 31; 15/319-321, 15/323, 327.1, 327.7, 329, 340.1-340.2, 15/347, 353, 383, 405, 412; 901/1; 700/245; 318/568.12; 417/236; 55/DIG. 3; 68/5 R, 68/222; 8/149.3; 392/386
See application file for complete search history.

(56) **References Cited**

U.S. PATENT DOCUMENTS

D326,544 S 5/1992 Yamamoto
D418,643 S 1/2000 Hoshino
D420,474 S 2/2000 Auburn
D435,322 S 12/2000 DeBlasis et al.

D445,973 S 7/2001 Chen
D451,653 S 12/2001 Berreth et al.
D467,694 S 12/2002 Kitts
D471,682 S 3/2003 Chen
D481,839 S 11/2003 Almquist et al.
D496,764 S 9/2004 Lopano
D505,526 S 5/2005 Tsen
2004/0144140 A1* 7/2004 Lee 68/222
2005/0150261 A1* 7/2005 Carlucci 68/222
2006/0162396 A1* 7/2006 Rosenzweig et al. 68/222

* cited by examiner

Primary Examiner—Ruth McInroy

(74) *Attorney, Agent, or Firm*—Venable LLP; Ralph P. Albrecht; Ryan M. Flandro

(57) **CLAIM**

The ornamental design for a steamer, as shown and described.

DESCRIPTION

FIG. 1 is a perspective view of a steamer showing my new design;

FIG. 2 is a front view thereof;

FIG. 3 is a rear view thereof;

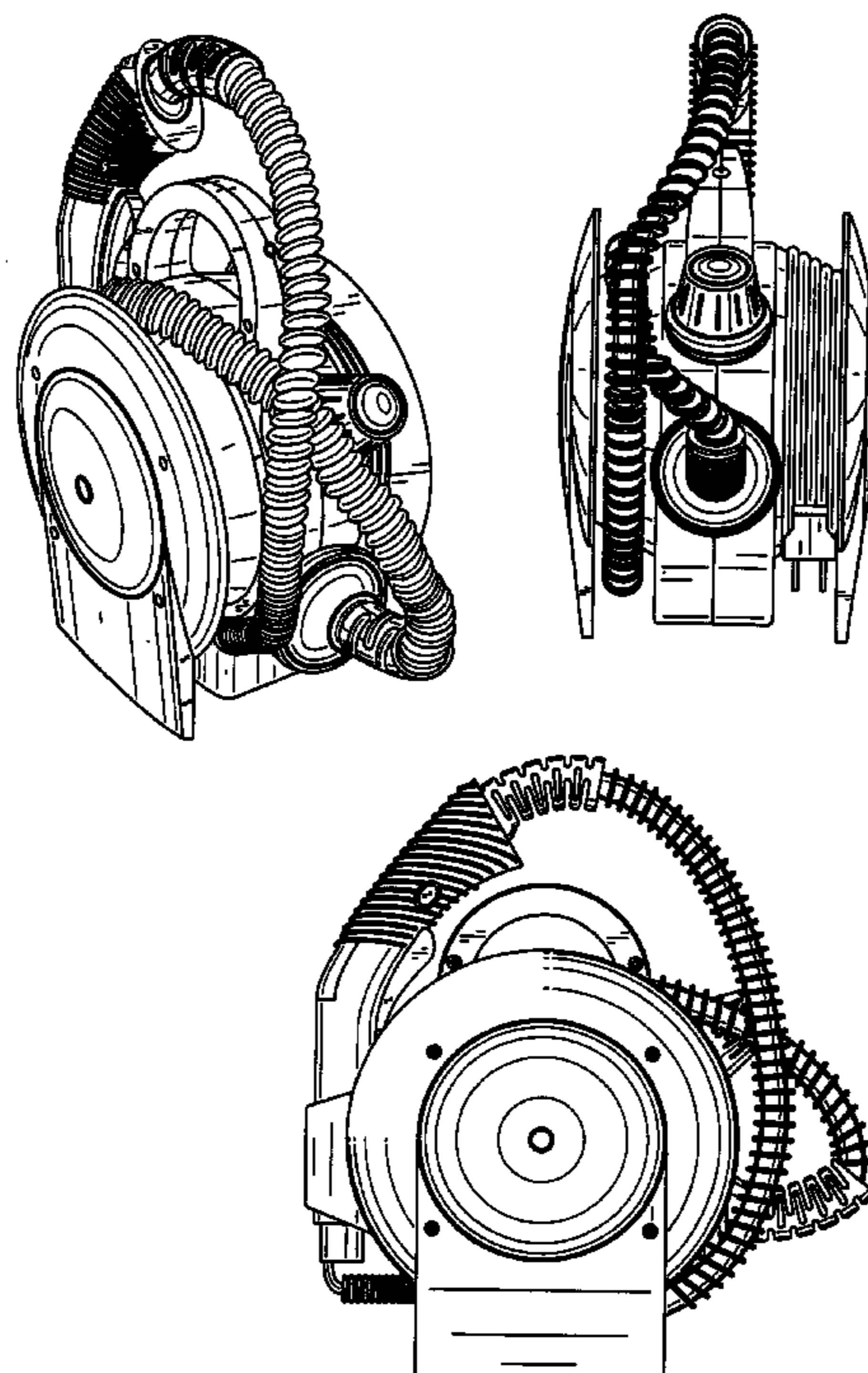
FIG. 4 is a left side view thereof;

FIG. 5 is a right side view thereof;

FIG. 6 is a top view thereof; and,

FIG. 7 is a bottom view thereof.

1 Claim, 7 Drawing Sheets



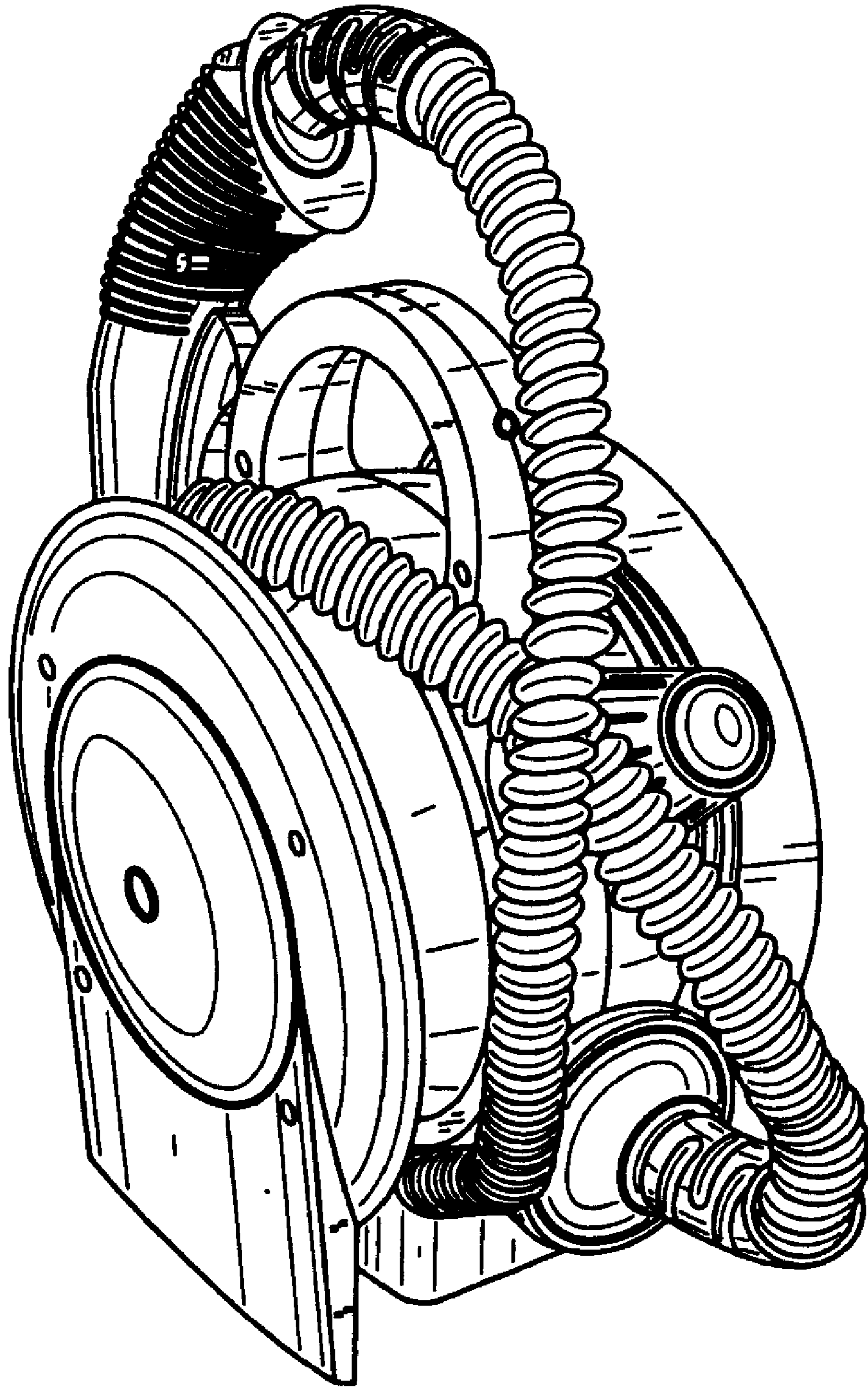


FIG. 1

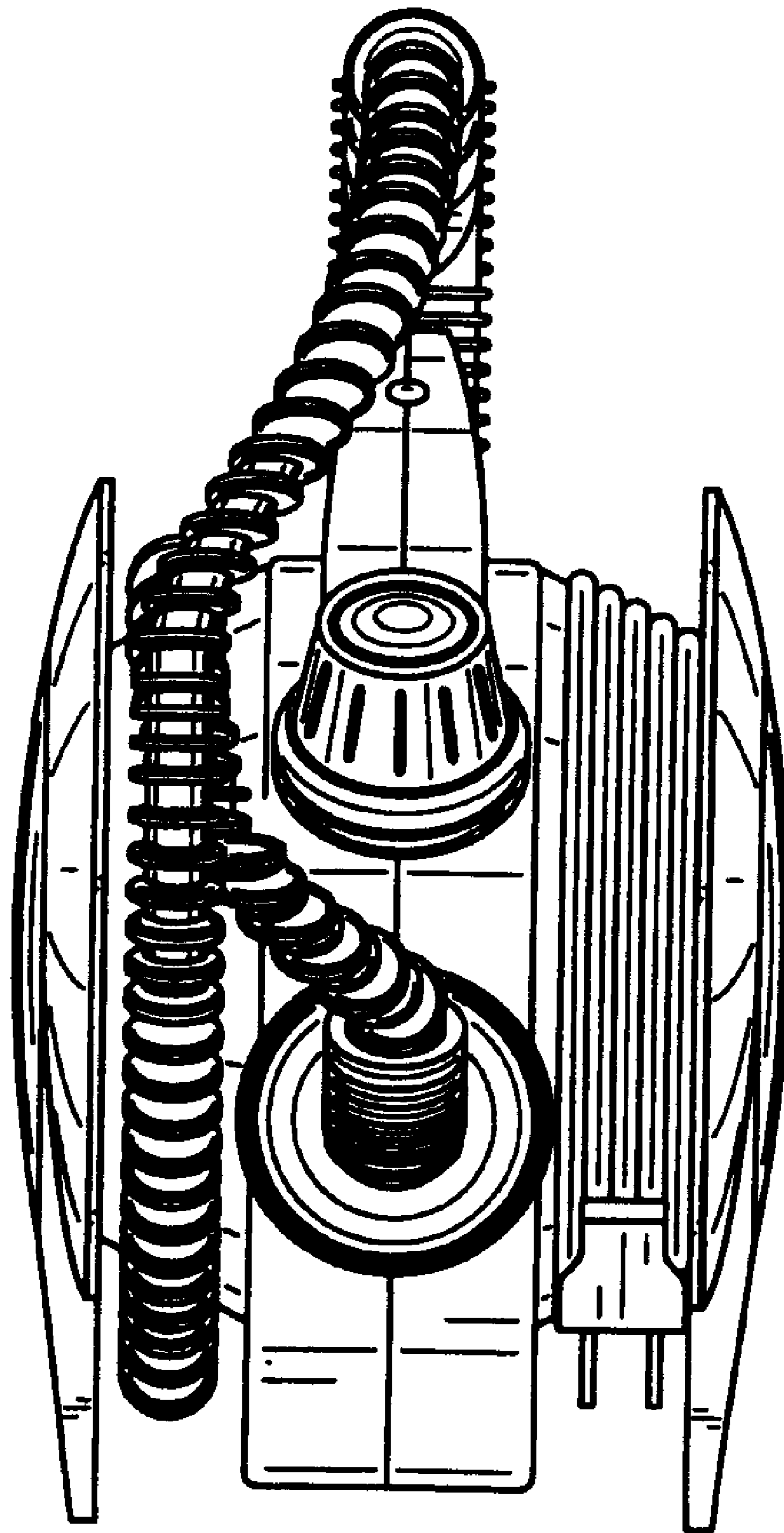


FIG. 2

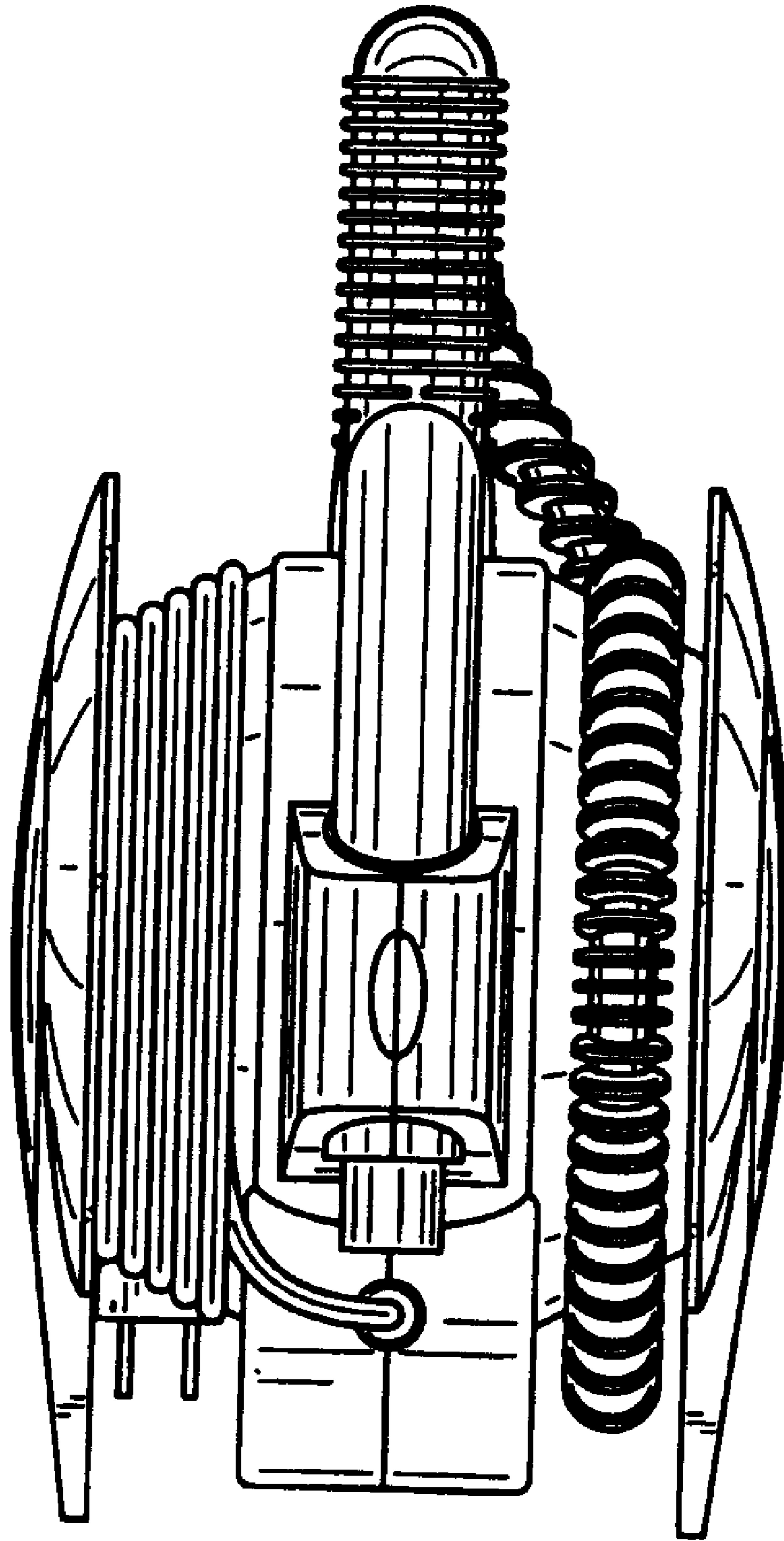


FIG. 3

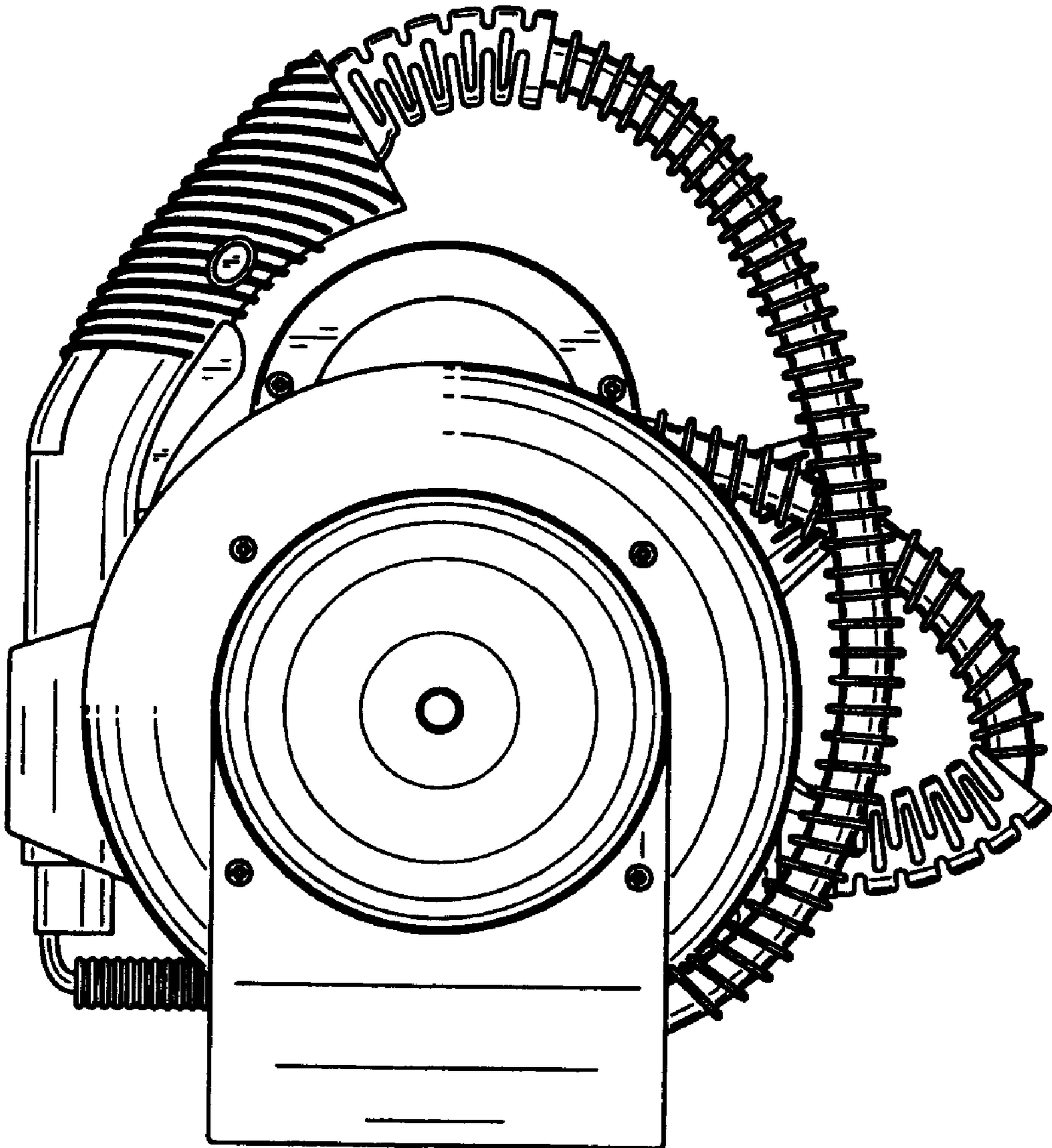


FIG. 4

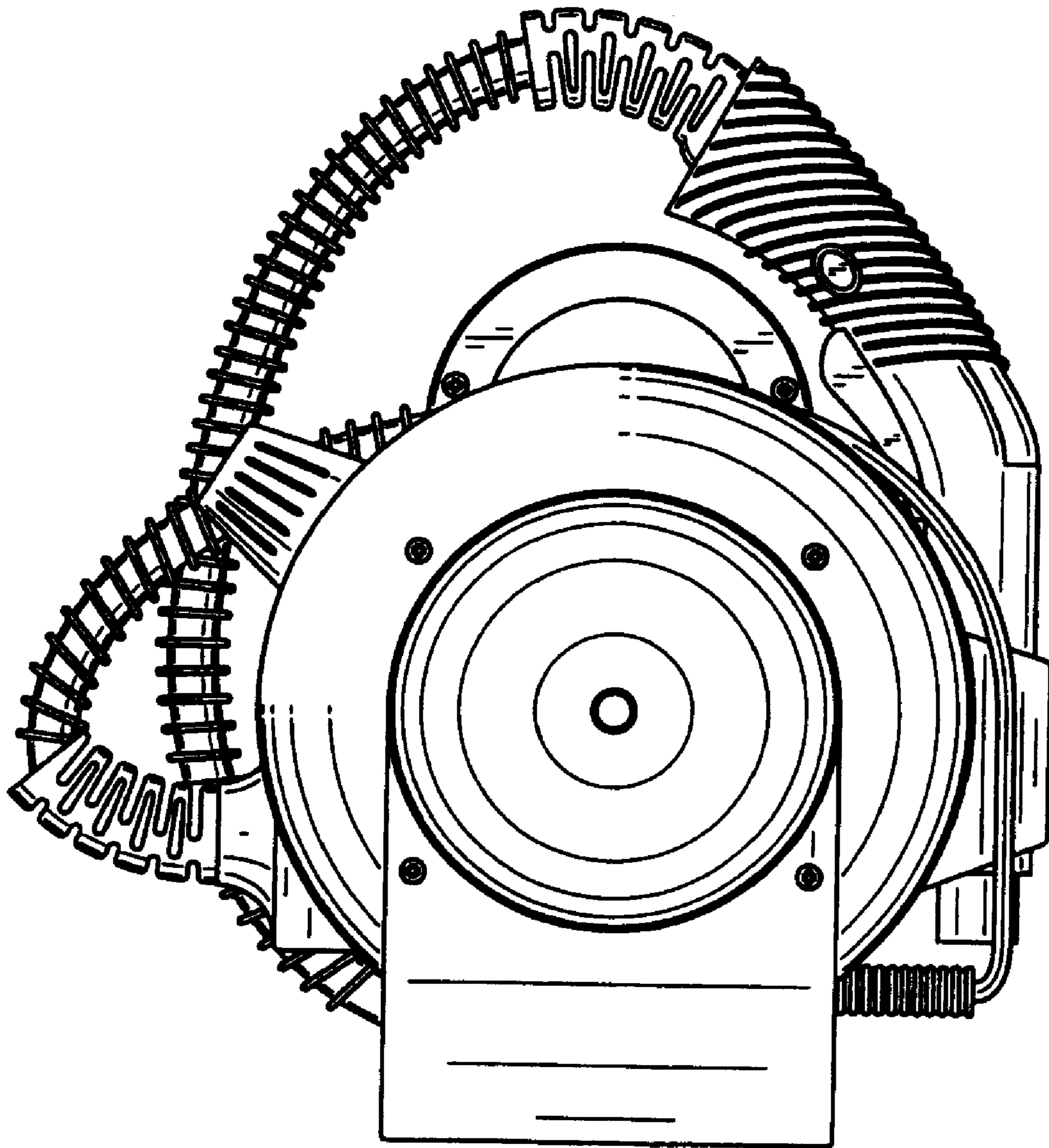


FIG. 5

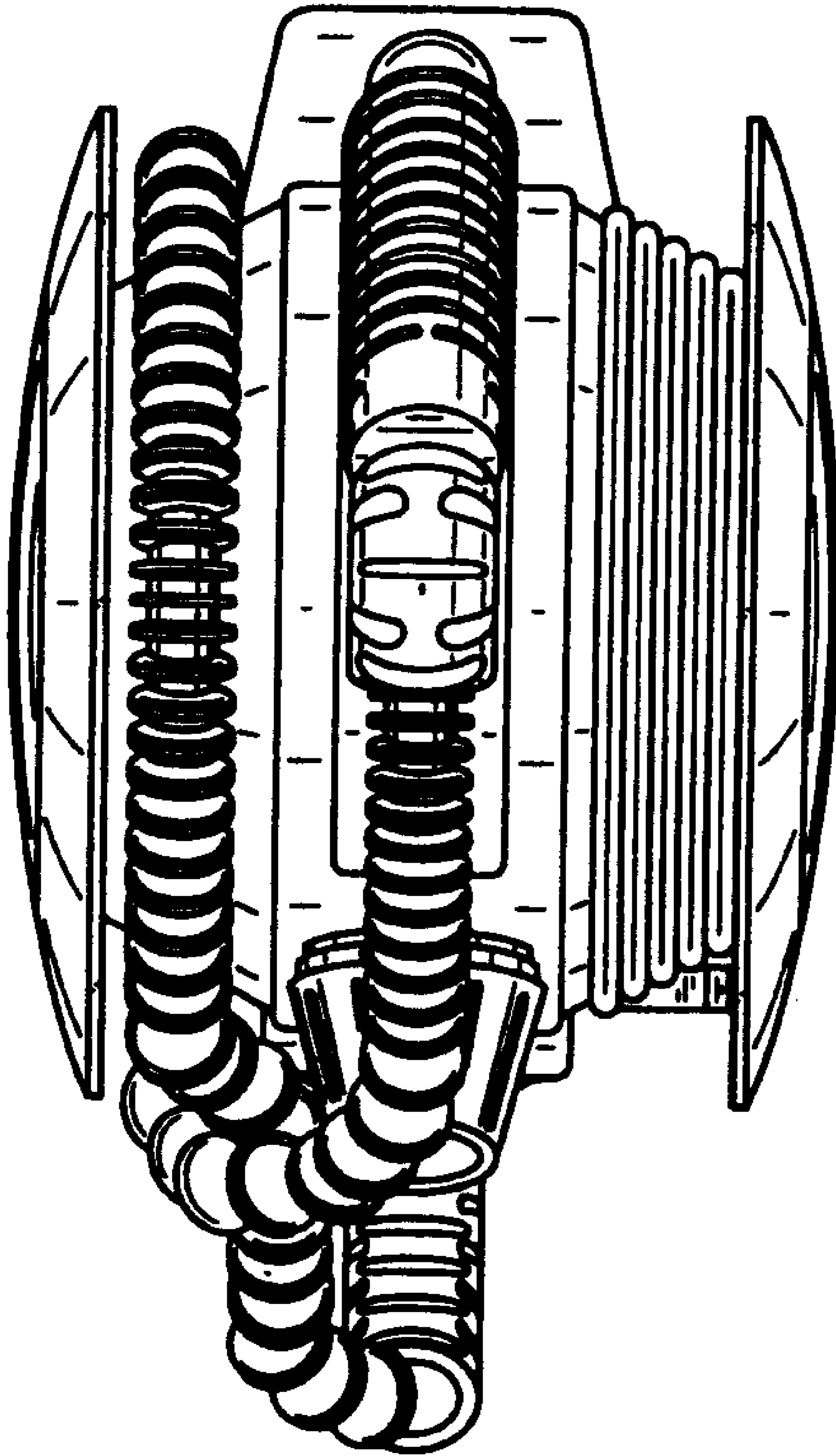


FIG. 6

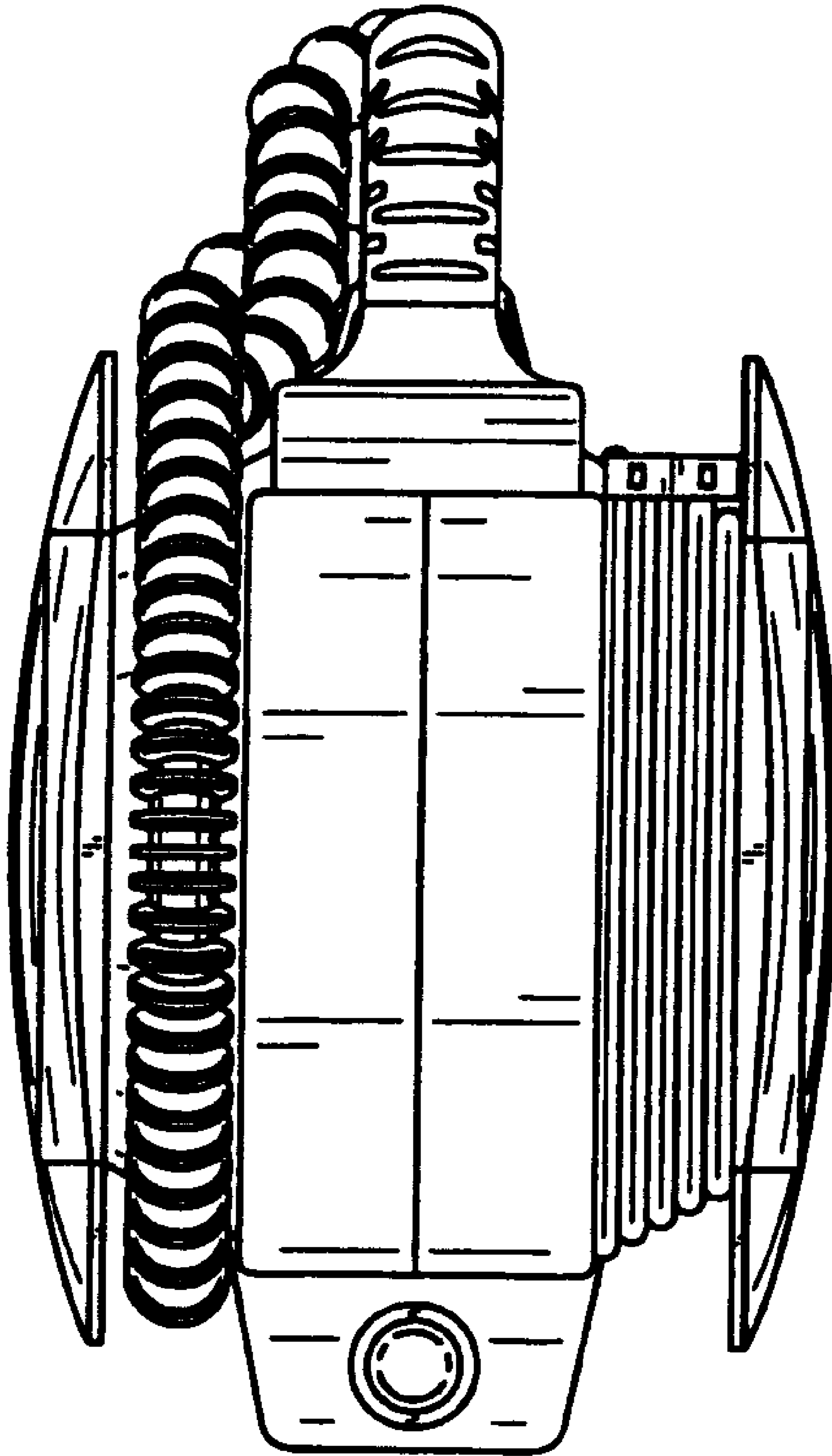


FIG. 7