

US00D549405S

(12) **United States Design Patent** (10) **Patent No.:** **US D549,405 S**  
**Dammkoehler** (45) **Date of Patent:** **\*\* Aug. 21, 2007**

(54) **VACUUM TRASH COLLECTION VEHICLE**

2003/0070249 A1\* 4/2003 Lehman et al. .... 15/320  
2006/0236494 A1\* 10/2006 Nelson et al. .... 15/320

(75) Inventor: **Denis Dammkoehler**, Backnang (DE)

(73) Assignee: **Alfred Kaercher GmbH & Co. KG**, Winnenden (DE)

(\*\*) Term: **14 Years**

(21) Appl. No.: **29/266,029**

(22) Filed: **Sep. 11, 2006**

(30) **Foreign Application Priority Data**

Mar. 27, 2006 (EM) ..... 000502661

(51) **LOC (8) Cl.** ..... **15-05**

(52) **U.S. Cl.** ..... **D32/16**

(58) **Field of Classification Search** ..... D32/1,  
D32/15, 16, 19, 20, 21-22; 15/320-321,  
15/323, 353, 49.1, 50.1

See application file for complete search history.

(56) **References Cited**

**U.S. PATENT DOCUMENTS**

4,759,094 A \* 7/1988 Palmer et al. .... 15/320  
D369,446 S \* 4/1996 Smith ..... D32/19  
D370,320 S \* 5/1996 Hachtmann ..... D32/21  
5,890,258 A \* 4/1999 Lee ..... 15/320  
D417,045 S \* 11/1999 Dziersk et al. .... D32/16  
7,059,004 B2 \* 6/2006 Mitchell et al. .... 15/50.1  
D536,846 S \* 2/2007 Pedlar ..... D32/16  
2002/0073494 A1\* 6/2002 Stuchlik ..... 15/49.1

**OTHER PUBLICATIONS**

Homepage and "Swipper der Müllsauger Details" of David P. Stummer, www.swipper.at (3 pages), printed Dec. 1, 2006 and Sep. 22, 2006, ©2003.

Homepage and "Glutton" product photo of Albrecht Bertsche, www.berkom.com (3 pages), printed Dec. 1, 2006.

\* cited by examiner

*Primary Examiner*—Louis S. Zarfaz

*Assistant Examiner*—Kathleen Sims

(74) *Attorney, Agent, or Firm*—Lipsitz & McAllister, LLC

(57) **CLAIM**

The ornamental design for a vacuum trash collection vehicle, as shown and described.

**DESCRIPTION**

FIG. 1 is a top, front and right side perspective view of the vacuum trash collection vehicle showing the new design;

FIG. 2 is a left side elevational view of the design;

FIG. 3 is a right elevational view of the design;

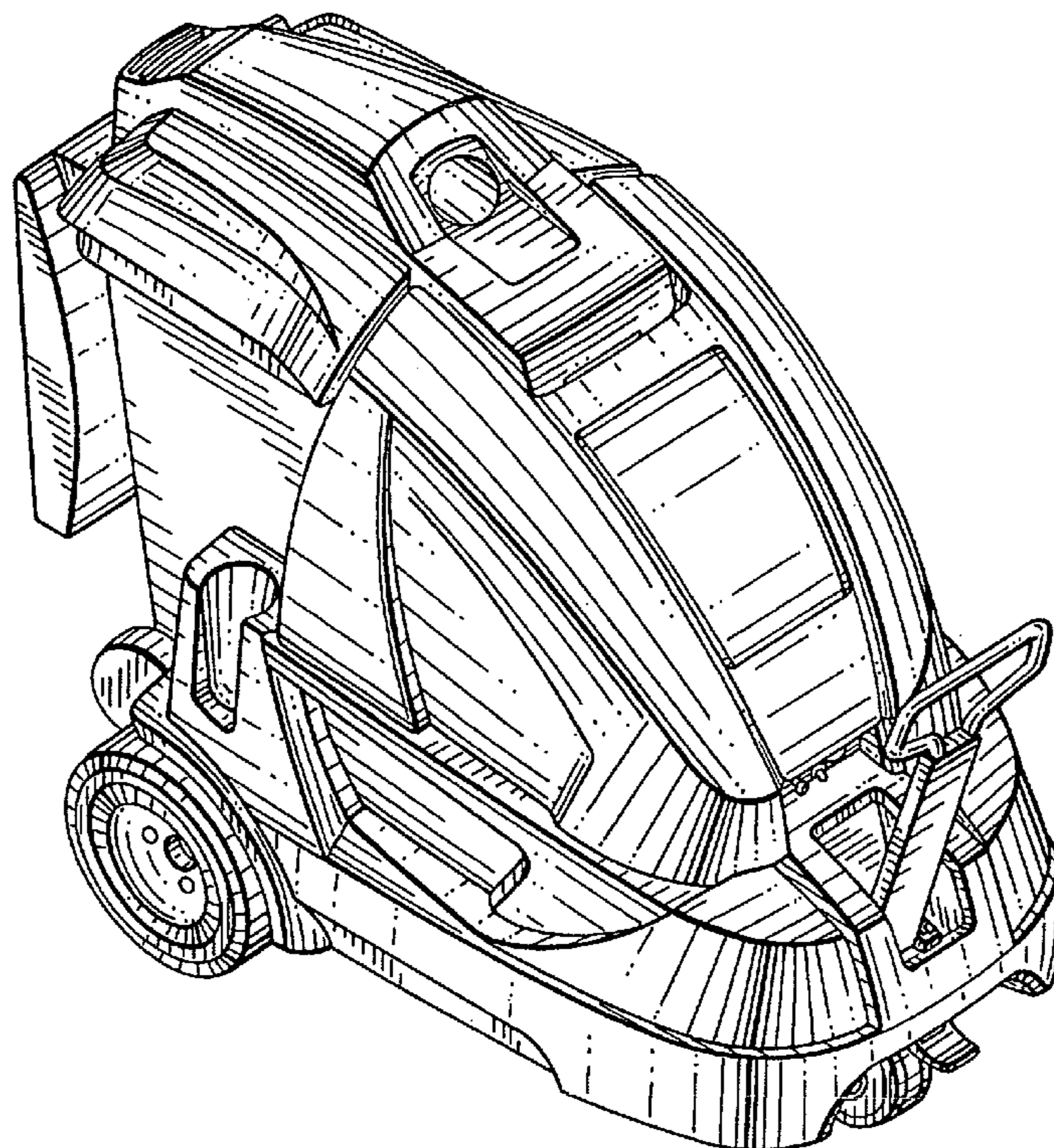
FIG. 4 is a front elevational view of the design;

FIG. 5 is a rear elevational view of the design;

FIG. 6 is a top plan view of the design; and,

FIG. 7 is a bottom plan view of the design.

**1 Claim, 7 Drawing Sheets**



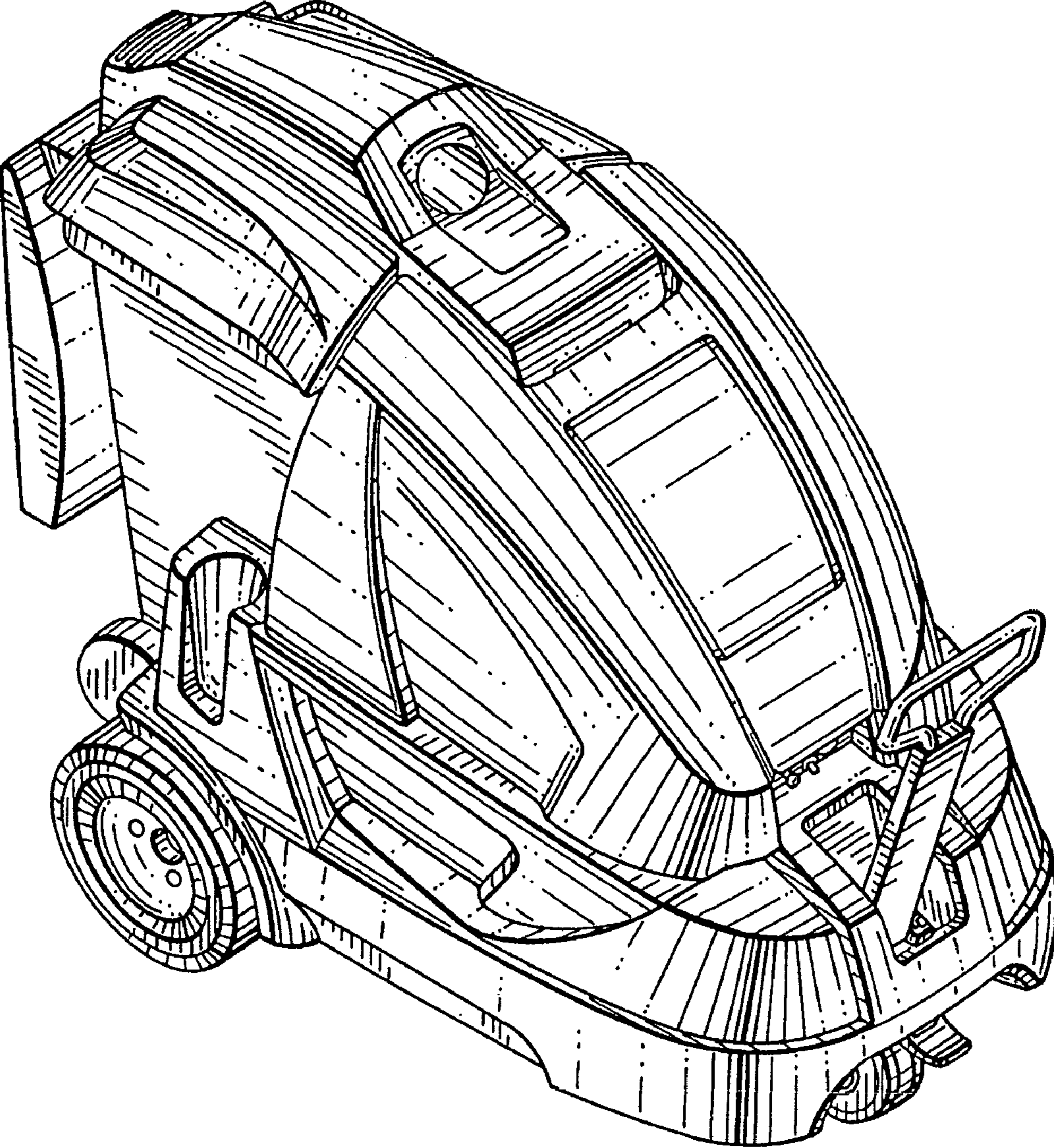


FIG. 1

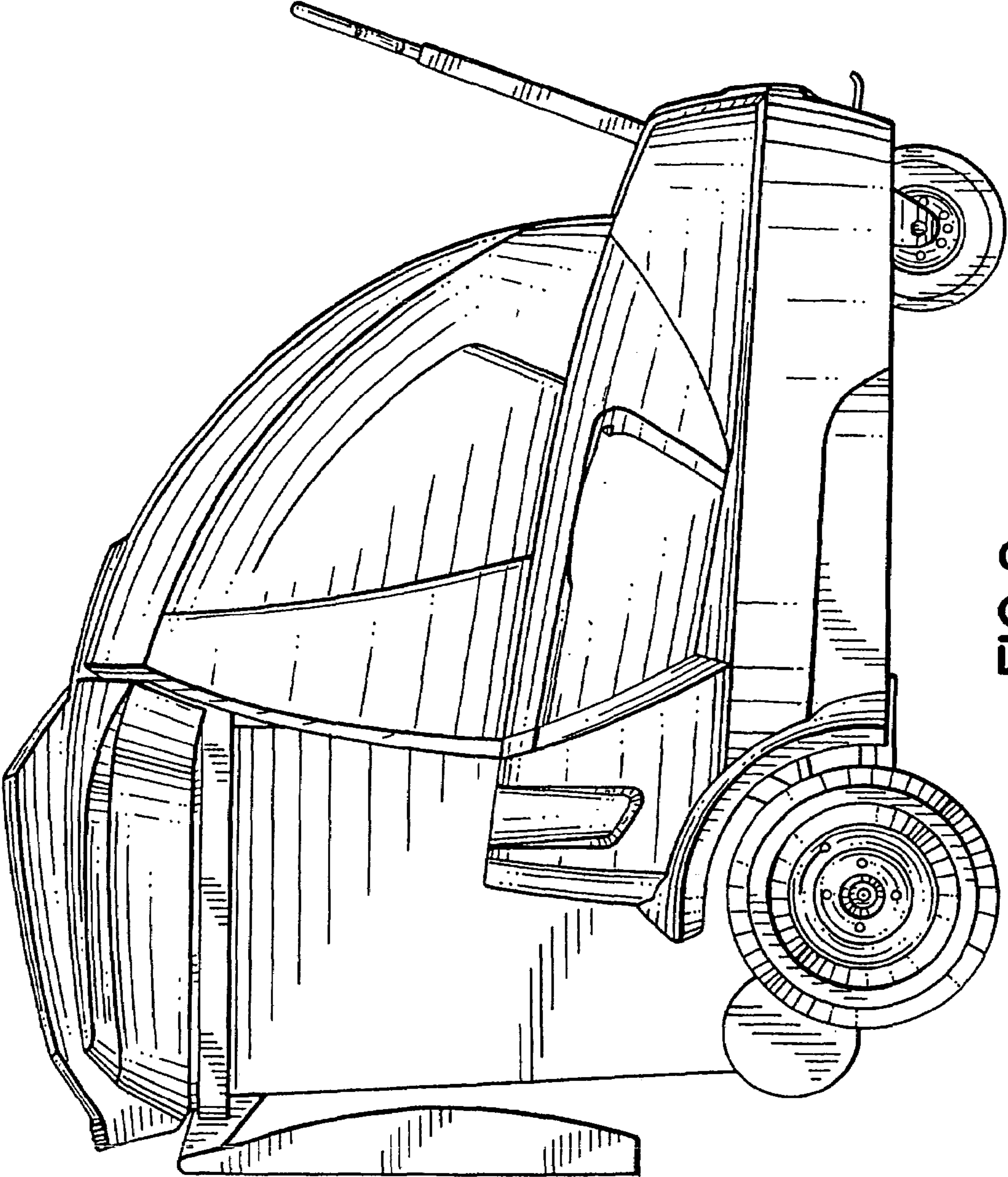


FIG.2

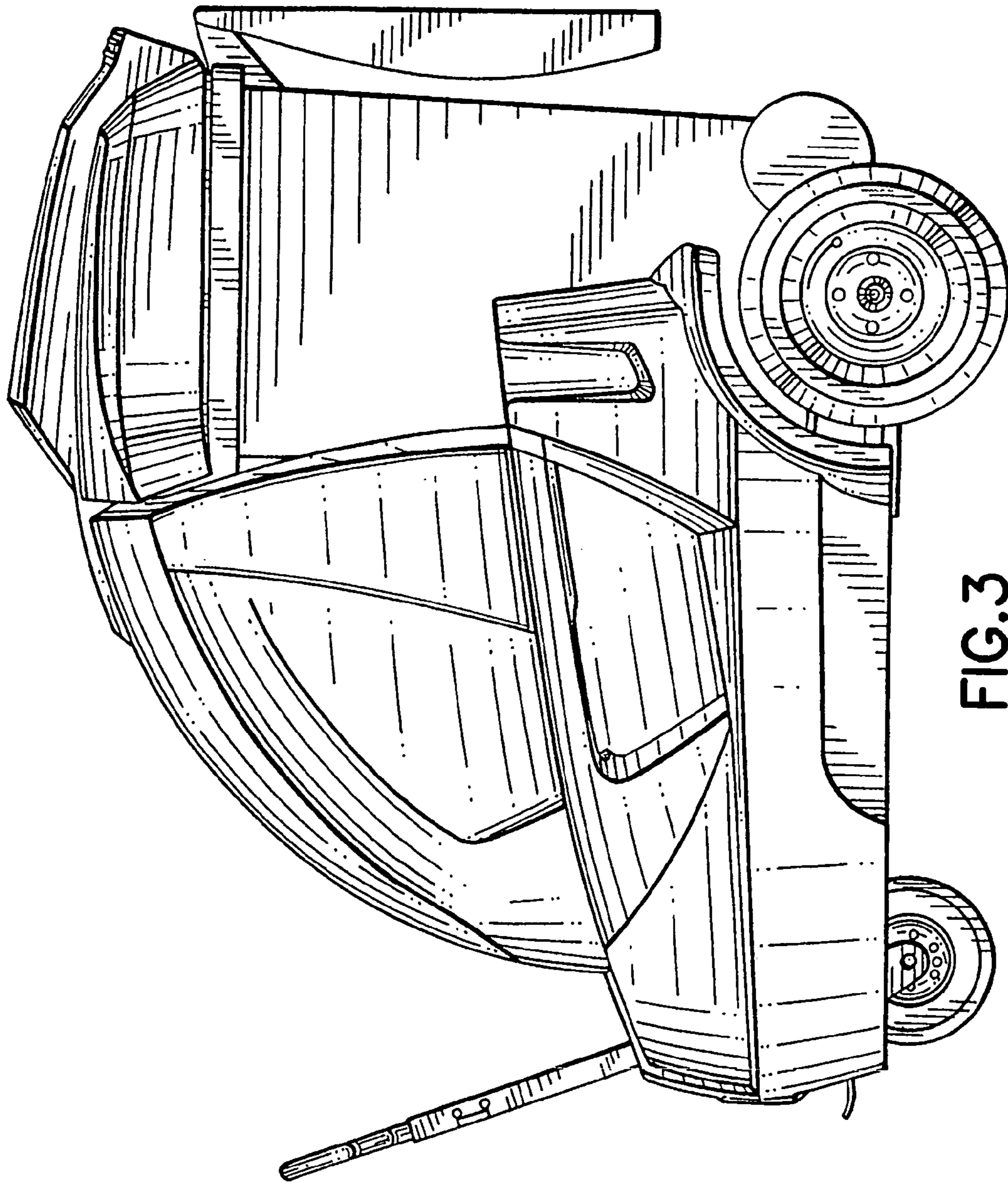


FIG. 3

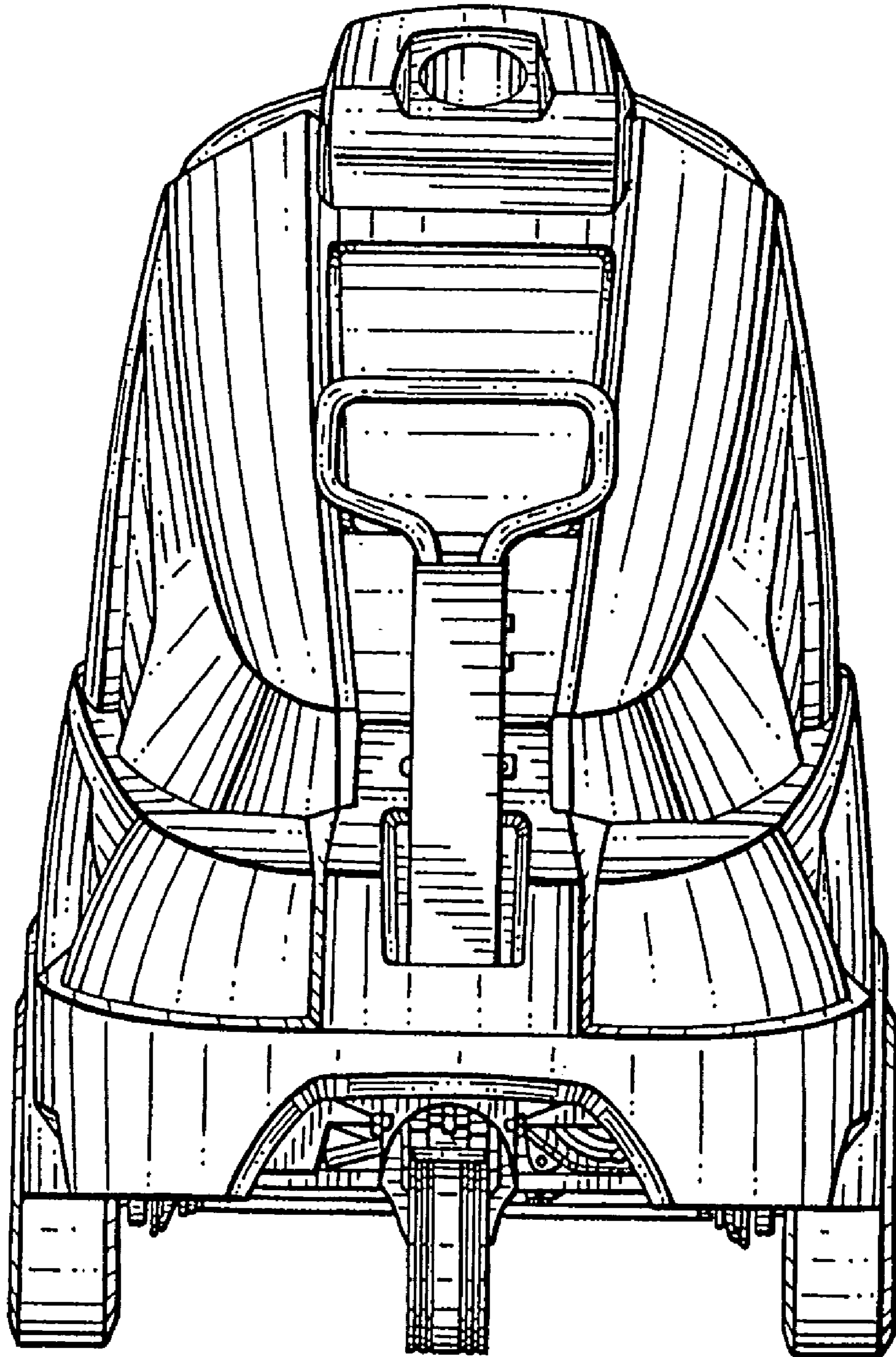


FIG. 4

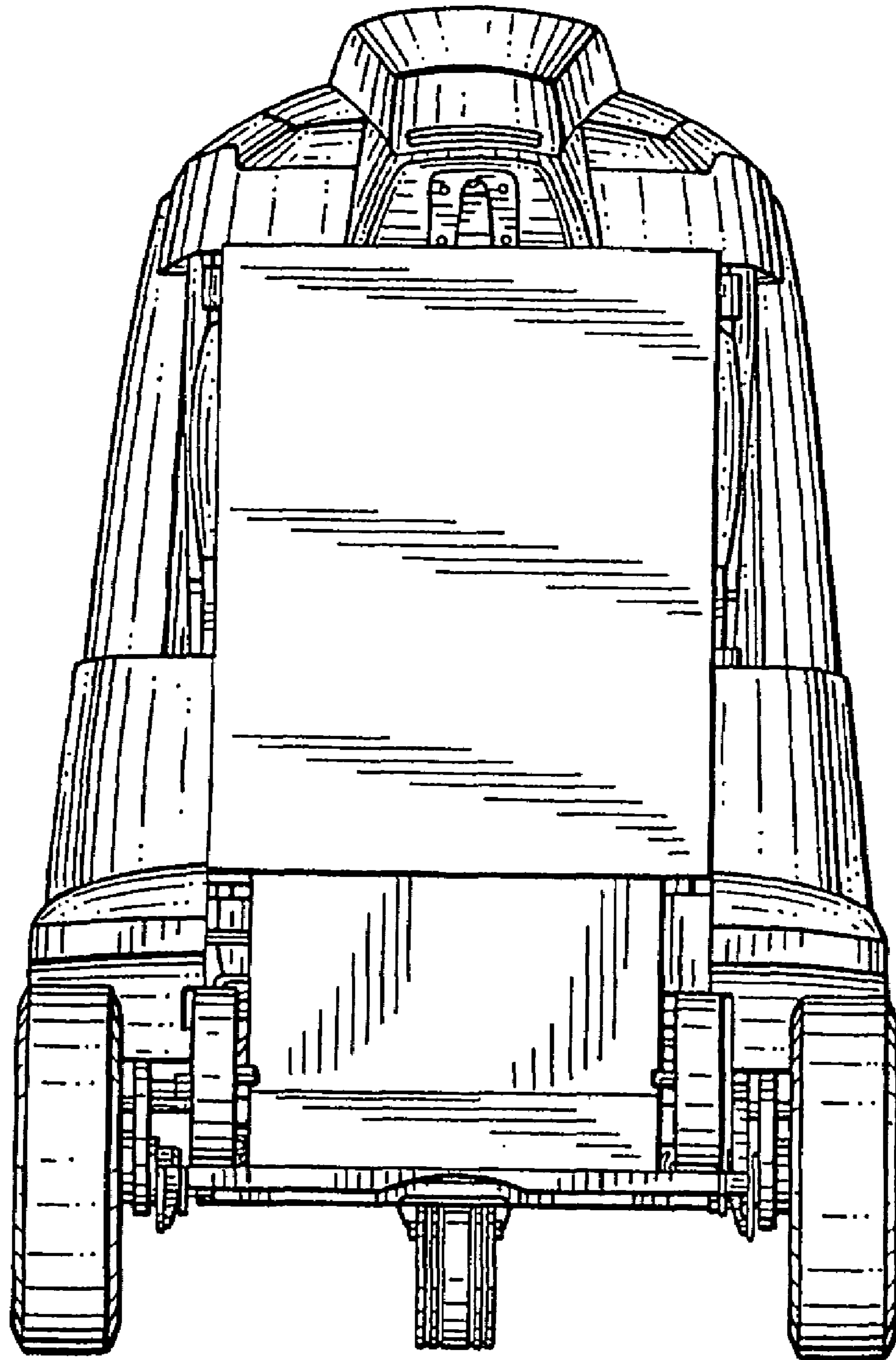


FIG. 5

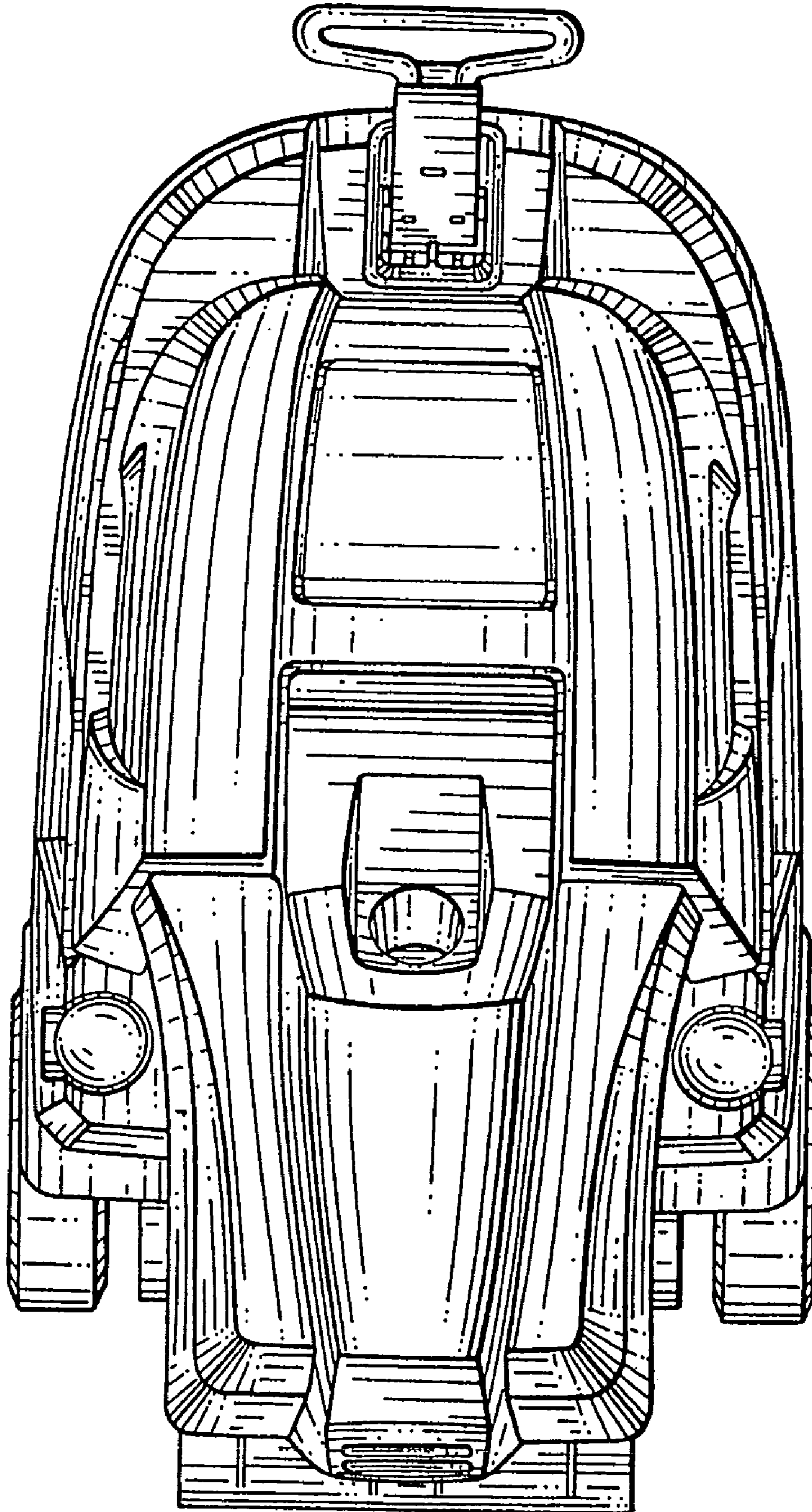


FIG. 6

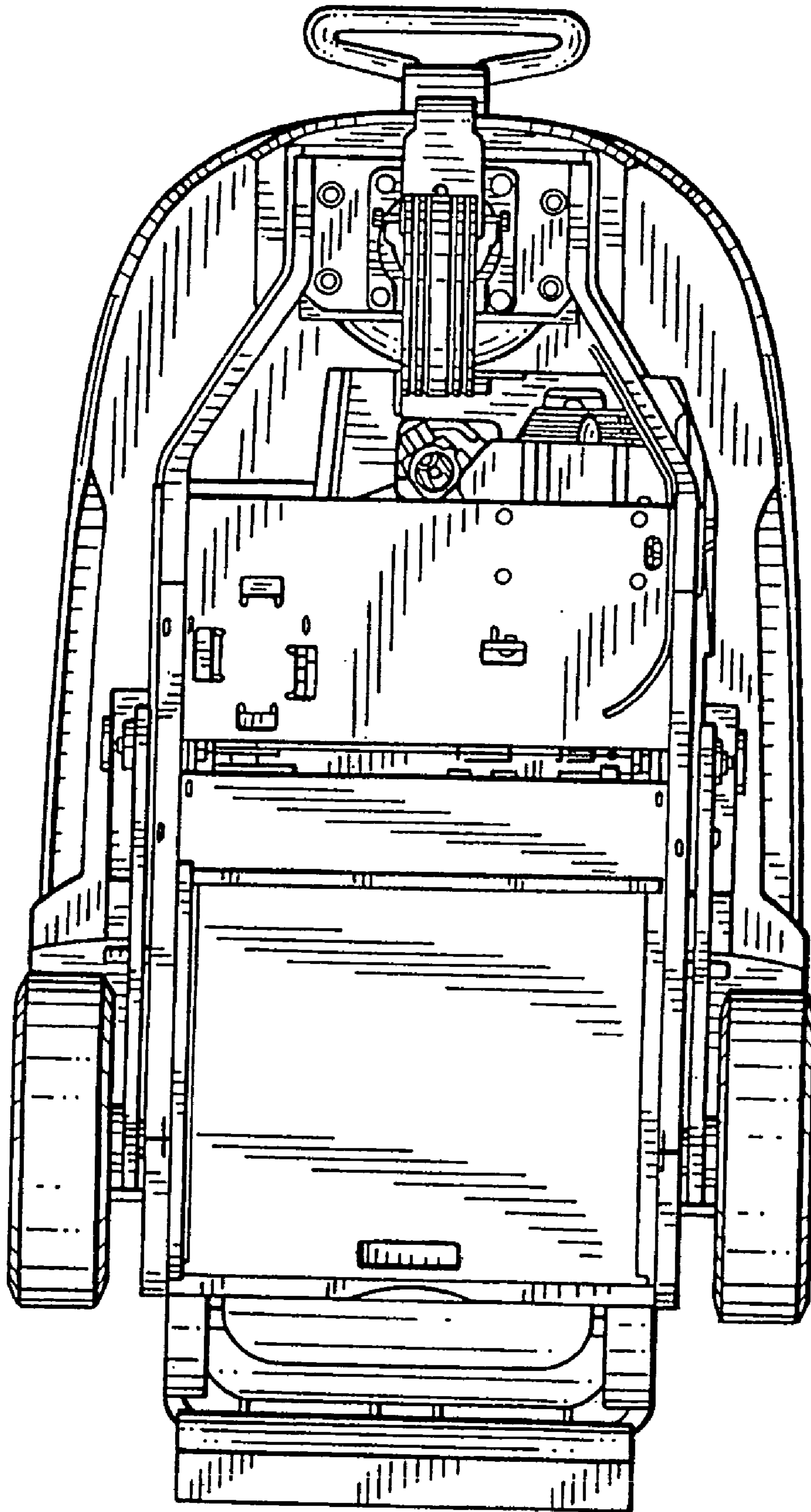


FIG. 7