

US00D549404S

(12) **United States Design Patent**
Jeon et al.

(10) **Patent No.:** **US D549,404 S**

(45) **Date of Patent:** **** Aug. 21, 2007**

(54) **DISH WASHER**

(75) Inventors: **Jong Soo Jeon**, Gyeonggi-do (KR); **Joo Youl Lee**, Seoul (KR)

(73) Assignee: **Samsung Electronics Co., Ltd.**, Suwon (KR)

(**) Term: **14 Years**

(21) Appl. No.: **29/263,952**

(22) Filed: **Aug. 1, 2006**

(51) **LOC (8) Cl.** **15-05**

(52) **U.S. Cl.** **D32/2**

(58) **Field of Classification Search** D32/2,
D32/3, 28; D7/348, 349, 405, 406; 134/108,
134/109, 113, 201; 312/31
See application file for complete search history.

(56) **References Cited**

U.S. PATENT DOCUMENTS

D493,581 S	*	7/2004	Ott et al.	D32/3
D495,103 S	*	8/2004	Kaczmarek	D32/3
D495,104 S	*	8/2004	Kaczmarek	D32/3
D501,586 S	*	2/2005	Kaczmarek	D32/3

D510,781 S	*	10/2005	Seo et al.	D32/2
D511,031 S	*	10/2005	Ott et al.	D32/3
D511,230 S	*	11/2005	Kim	D32/2
D517,754 S	*	3/2006	Paik et al.	D32/2
D518,249 S	*	3/2006	Seo	D32/2

* cited by examiner

Primary Examiner—Louis S. Zarfaz

Assistant Examiner—Kathleen Sims

(74) *Attorney, Agent, or Firm*—Ladas and Parry LLP

(57) **CLAIM**

We claim the ornamental design for a dish washer, as shown and described.

DESCRIPTION

FIG. 1 is a top, front, and left side perspective view of a dish washer showing our new design;
FIG. 2 is a front elevational view thereof;
FIG. 3 is a rear elevational view thereof;
FIG. 4 is a left side elevational view thereof;
FIG. 5 is a right side elevational view thereof;
FIG. 6 is a top plan view thereof; and,
FIG. 7 is a bottom plan view thereof.

1 Claim, 7 Drawing Sheets

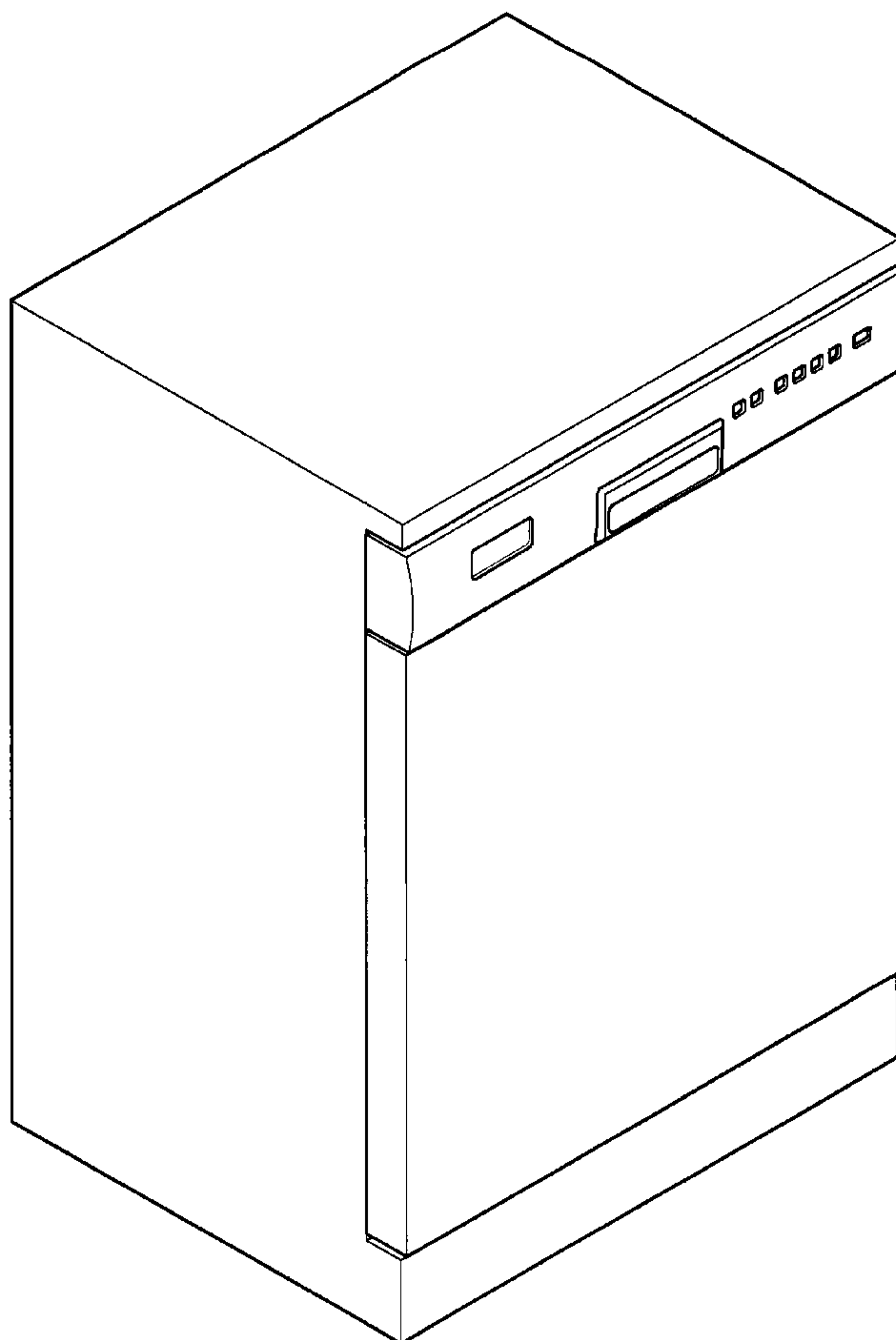


FIG. 1

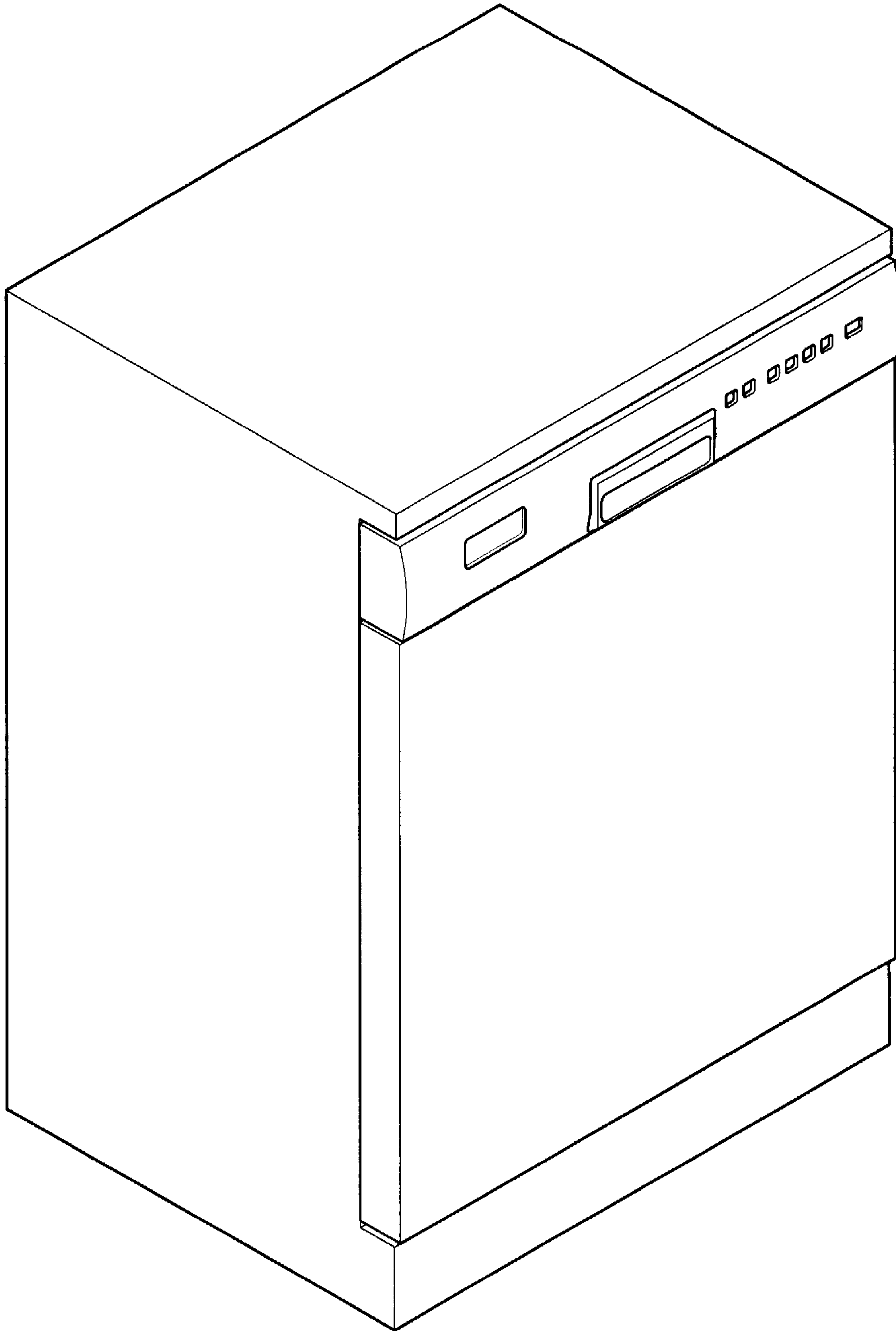


FIG. 2

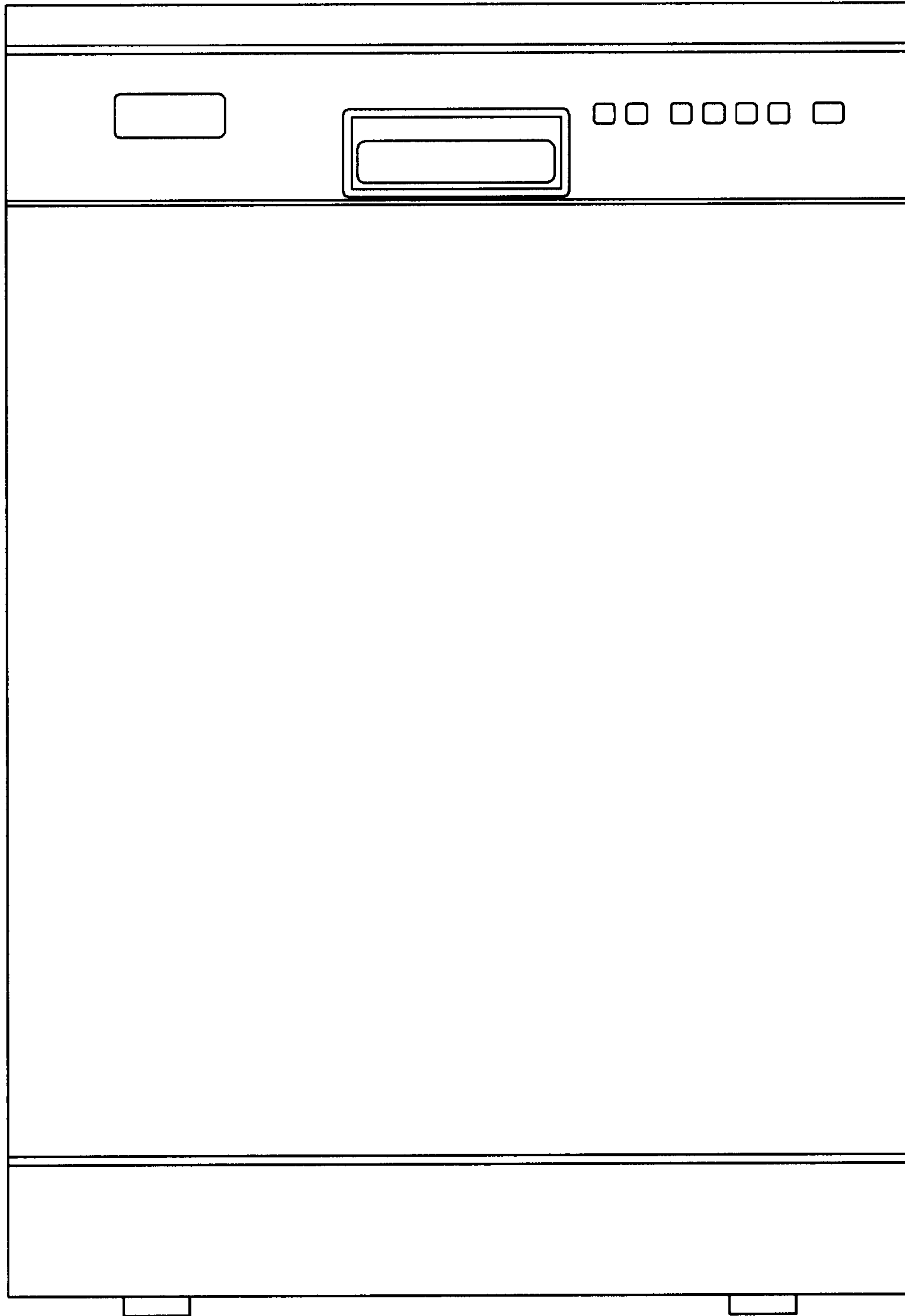


FIG. 3

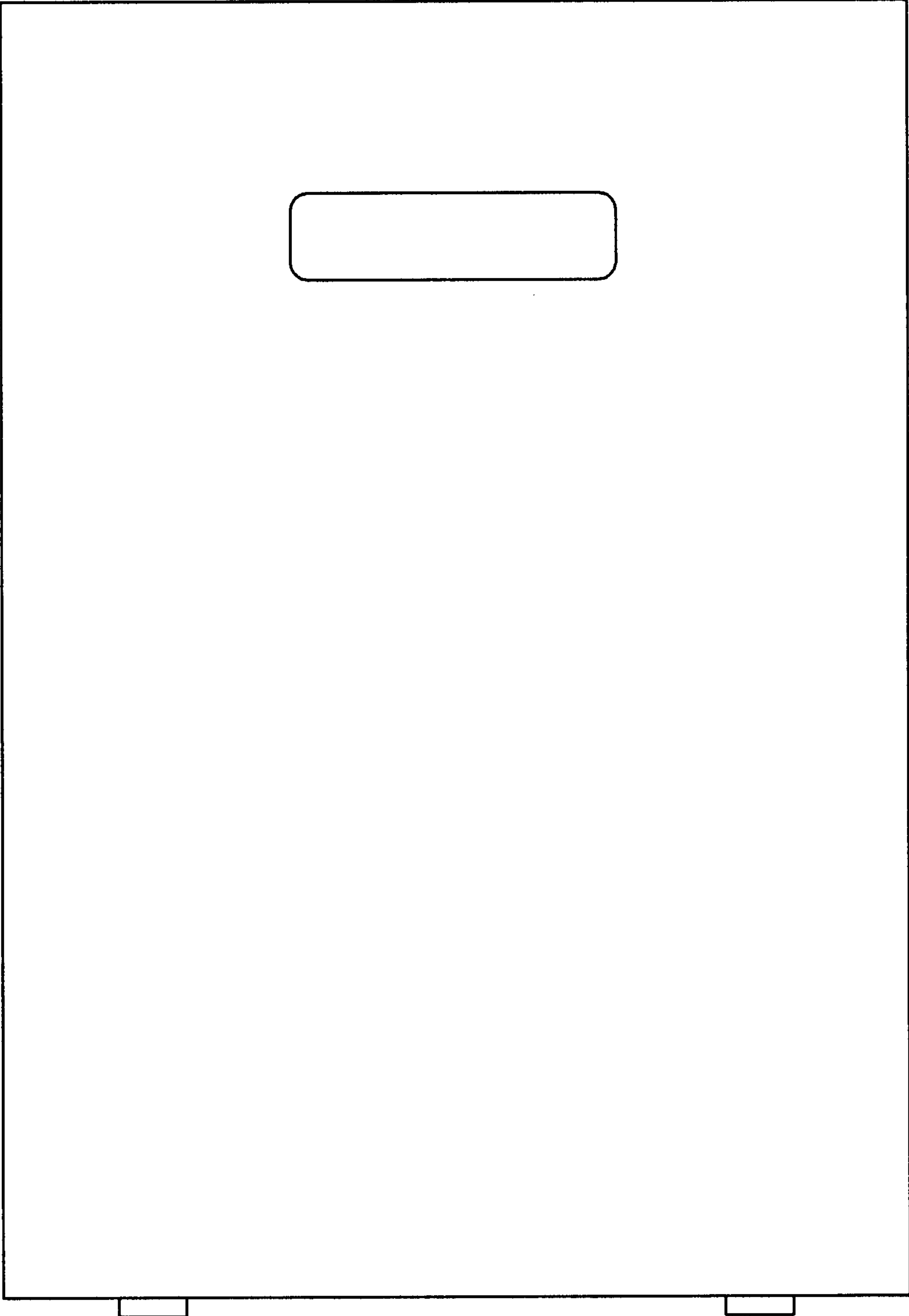


FIG. 4

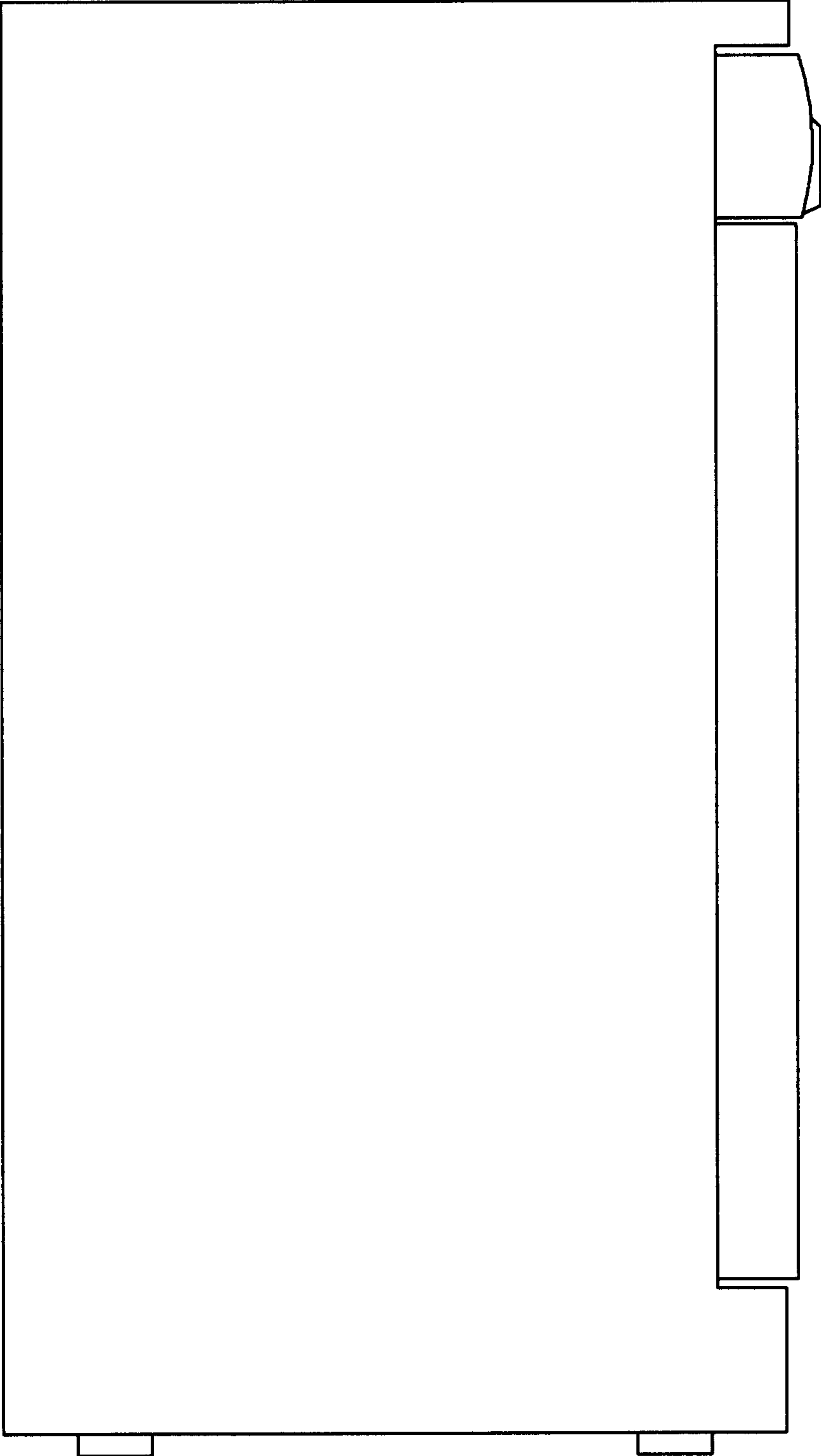


FIG. 5

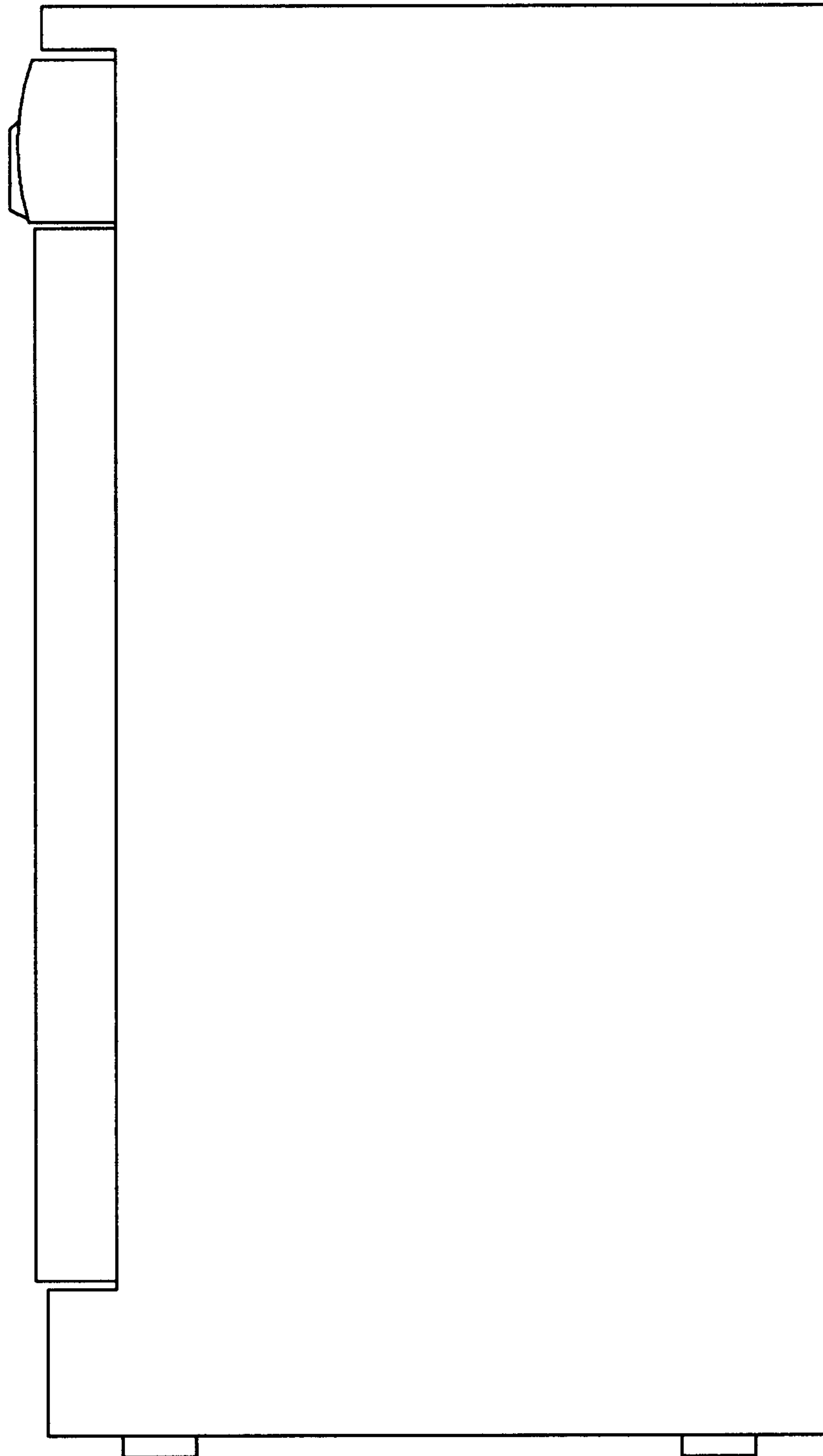


FIG. 6

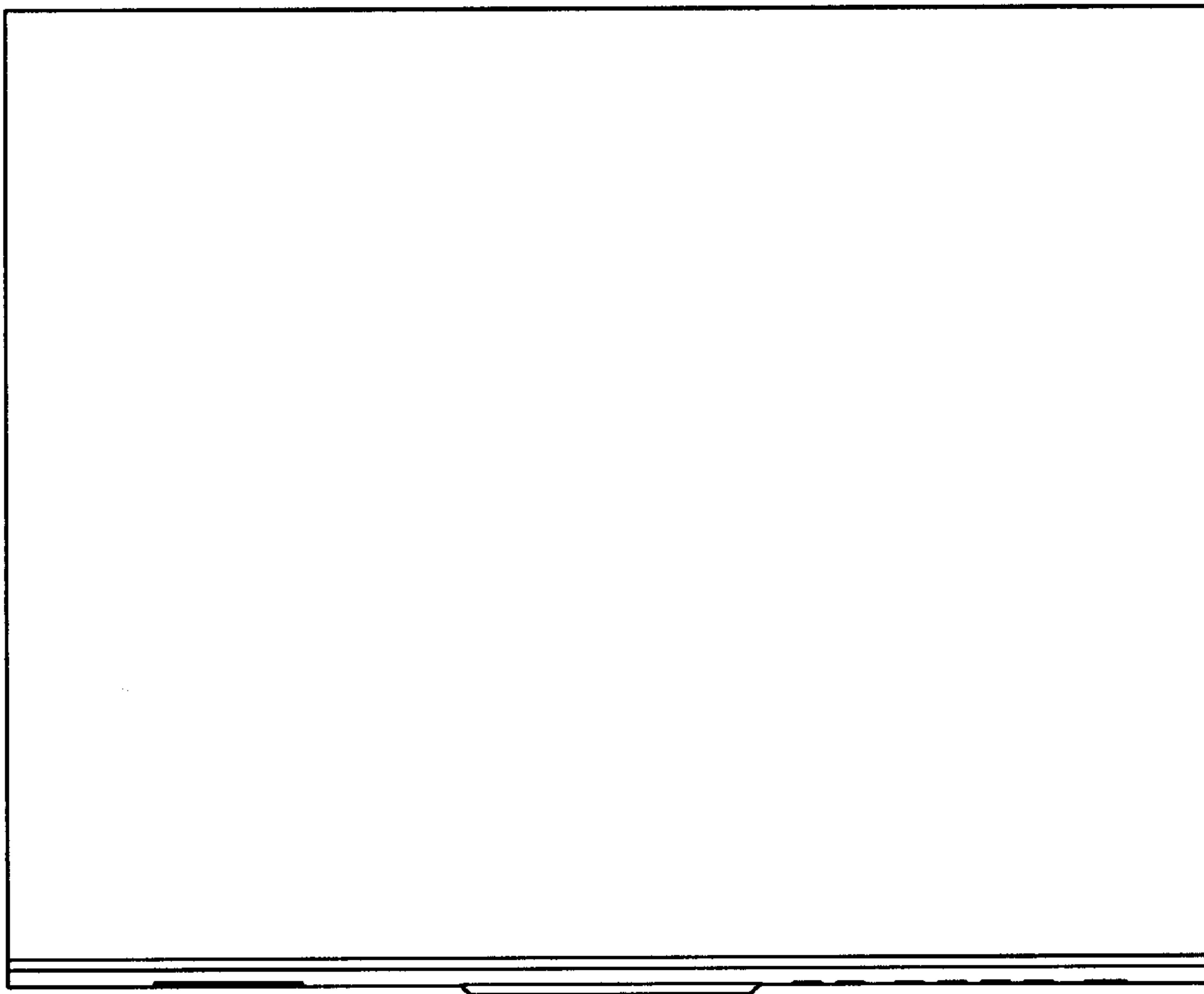


FIG. 7

