

US00D549399S

(12) **United States Design Patent** (10) **Patent No.:** **US D549,399 S**
Davis (45) **Date of Patent:** **** Aug. 21, 2007**

(54) **GLOVE ON A ROLL**

(76) Inventor: **Diane Davis**, 1125 Pine Ave.-Unit 8-B,
Redlands, CA (US) 92373

(**) Term: **14 Years**

(21) Appl. No.: **29/263,880**

(22) Filed: **Aug. 1, 2006**

(51) **LOC (8) Cl.** **23-02**

(52) **U.S. Cl.** **D29/117.1**

(58) **Field of Classification Search** D2/610,
D2/616-623; D29/113, 116.2, 117.1, 117.2,
D29/118-119, 123; 2/455, 16, 19, 116.1-161.8,
2/910; D32/43; D24/190; D4/137; 15/227;
D28/63; D20/33

See application file for complete search history.

(56) **References Cited**

U.S. PATENT DOCUMENTS

3,870,150	A *	3/1975	Hummel	206/438
4,034,853	A *	7/1977	Smith	206/278
4,677,697	A *	7/1987	Hayes	2/159
4,773,532	A *	9/1988	Stephenson	206/278
4,916,757	A *	4/1990	Berlin et al.	2/159
D365,670	S *	12/1995	Walker	D32/40
5,966,741	A *	10/1999	Klecina	2/169
5,975,083	A *	11/1999	Henderson, Jr.	128/878
6,637,035	B1 *	10/2003	Brinkmann et al.	2/161.6
2006/0200891	A1 *	9/2006	Geraci	2/158

* cited by examiner

Primary Examiner—Robert A. Delehanty
(74) *Attorney, Agent, or Firm*—Joseph H. Taddeo

(57) **CLAIM**

The ornamental design for a glove on a roll, as shown and described.

DESCRIPTION

FIG. 1 is an isometric view of my new design for a transparent glove on a roll;

FIG. 2 is a left-side view thereof;

FIG. 3 is a front view thereof;

FIG. 4 is a right-side view thereof;

FIG. 5 is a top view thereof;

FIG. 6 is a bottom view thereof;

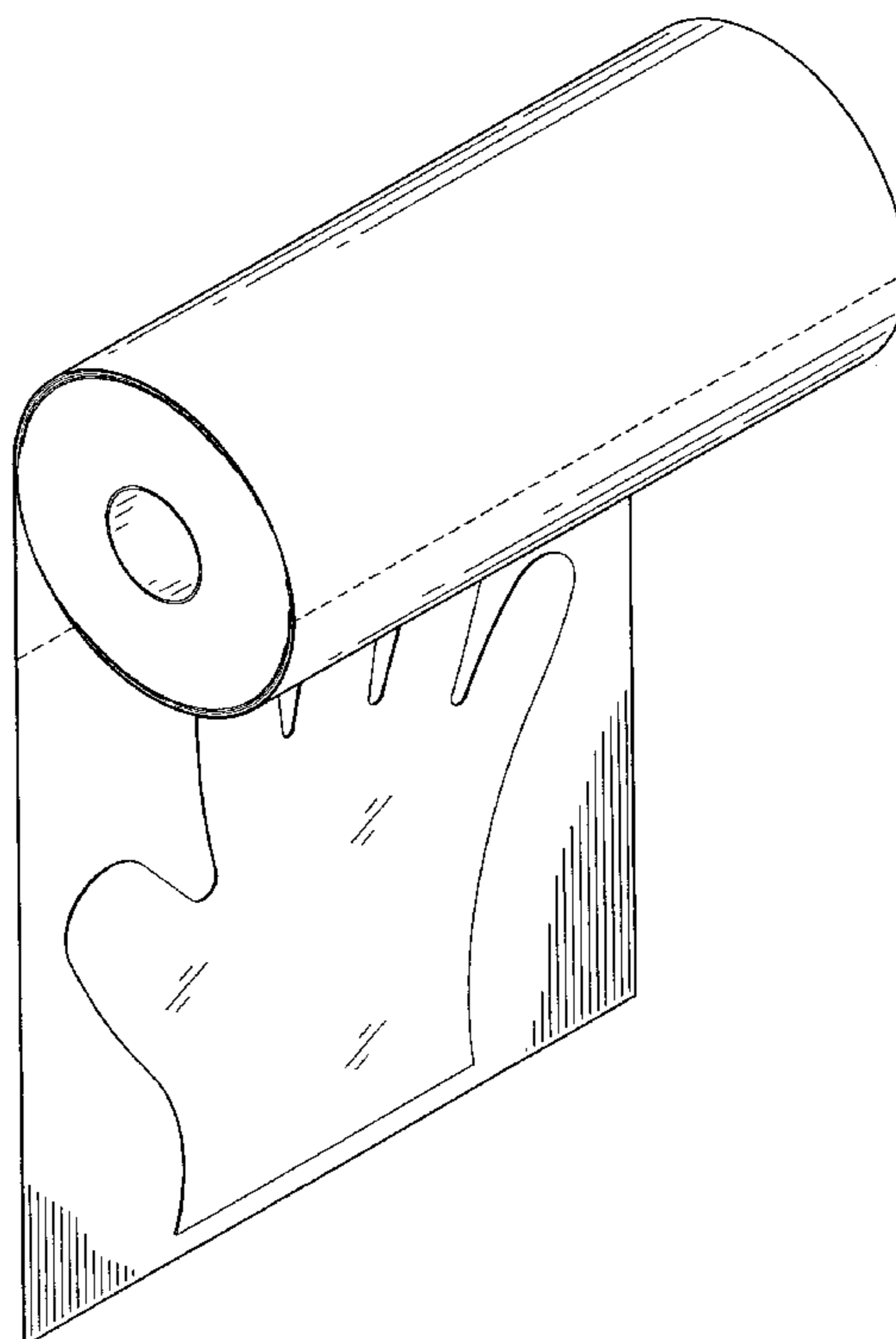
FIG. 7 is a perspective view thereof with a hand inserted in the glove; and,

FIG. 8 is a perspective view thereof with the glove and towel detached from the roll.

The dashed lines represent a person's arm which is not part of the claimed design.

The dashed lines representing a person's arm are for illustrative purposes and form no part of the claimed design. The dashed lines on the roll represent perforation of the material shown.

1 Claim, 5 Drawing Sheets



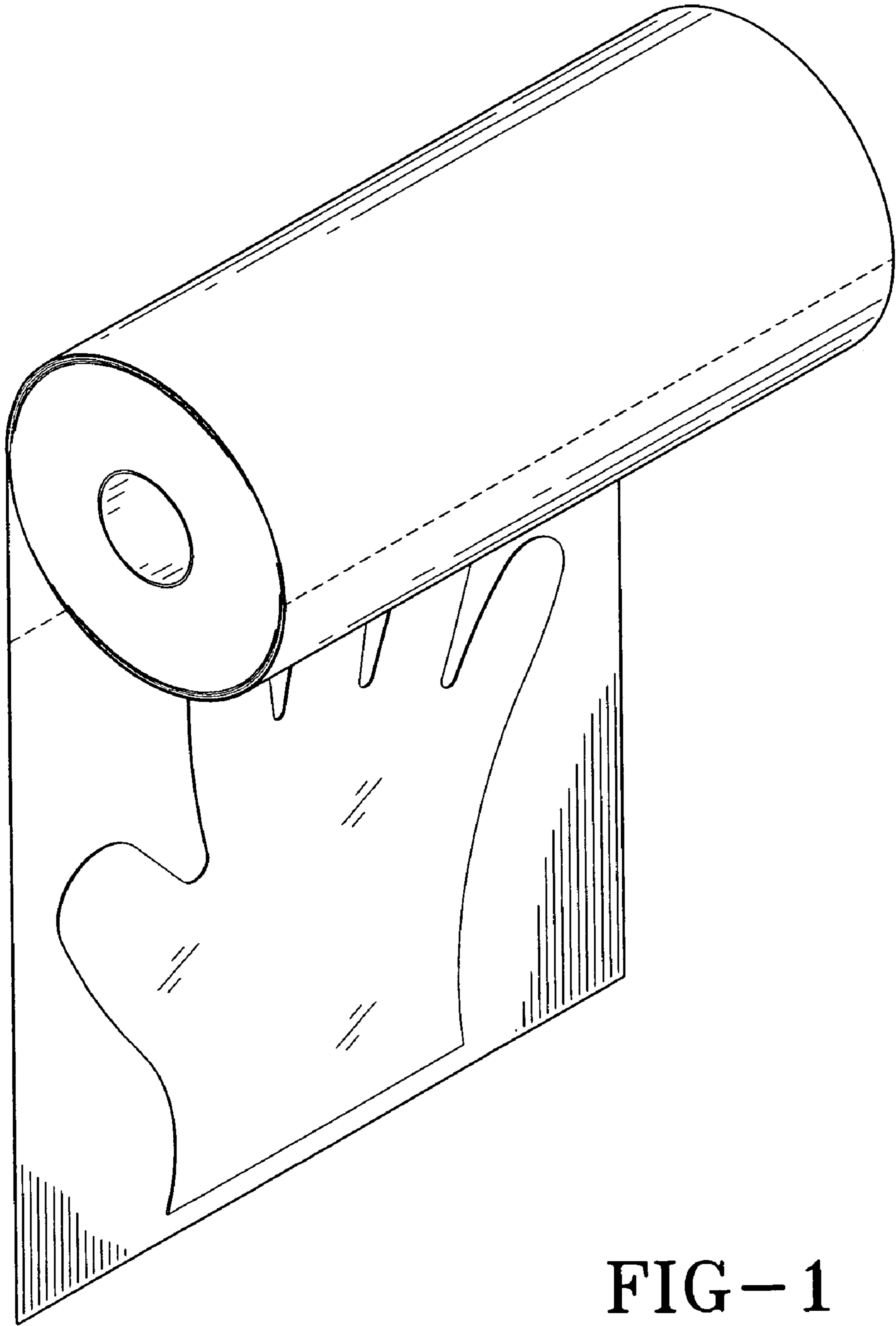


FIG-1

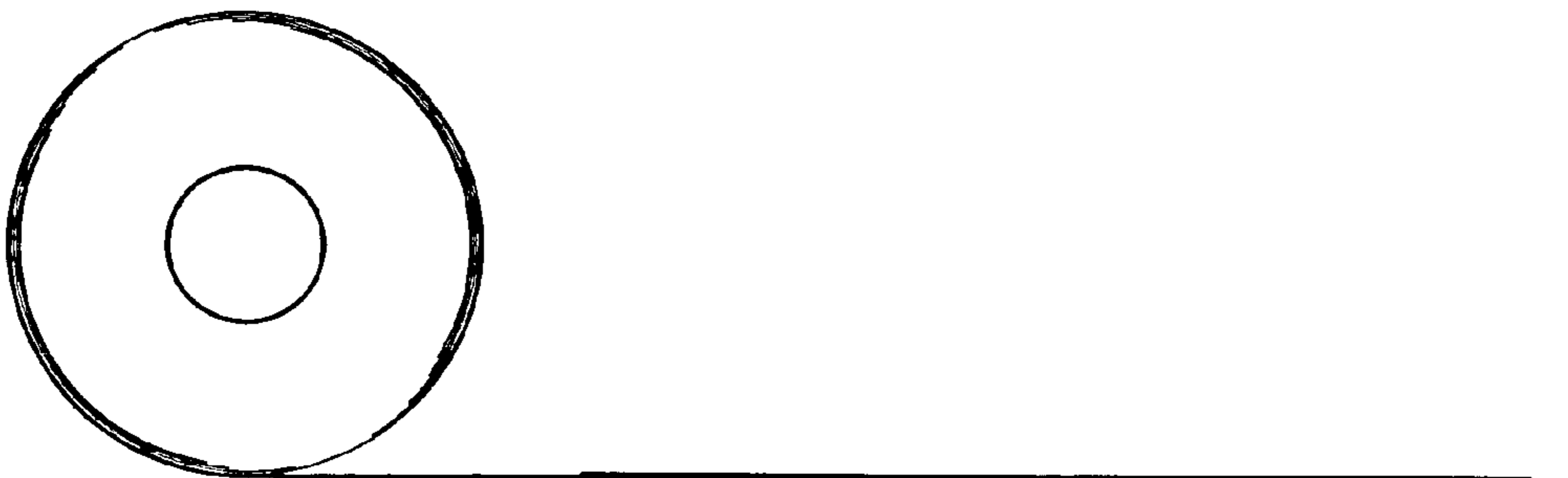
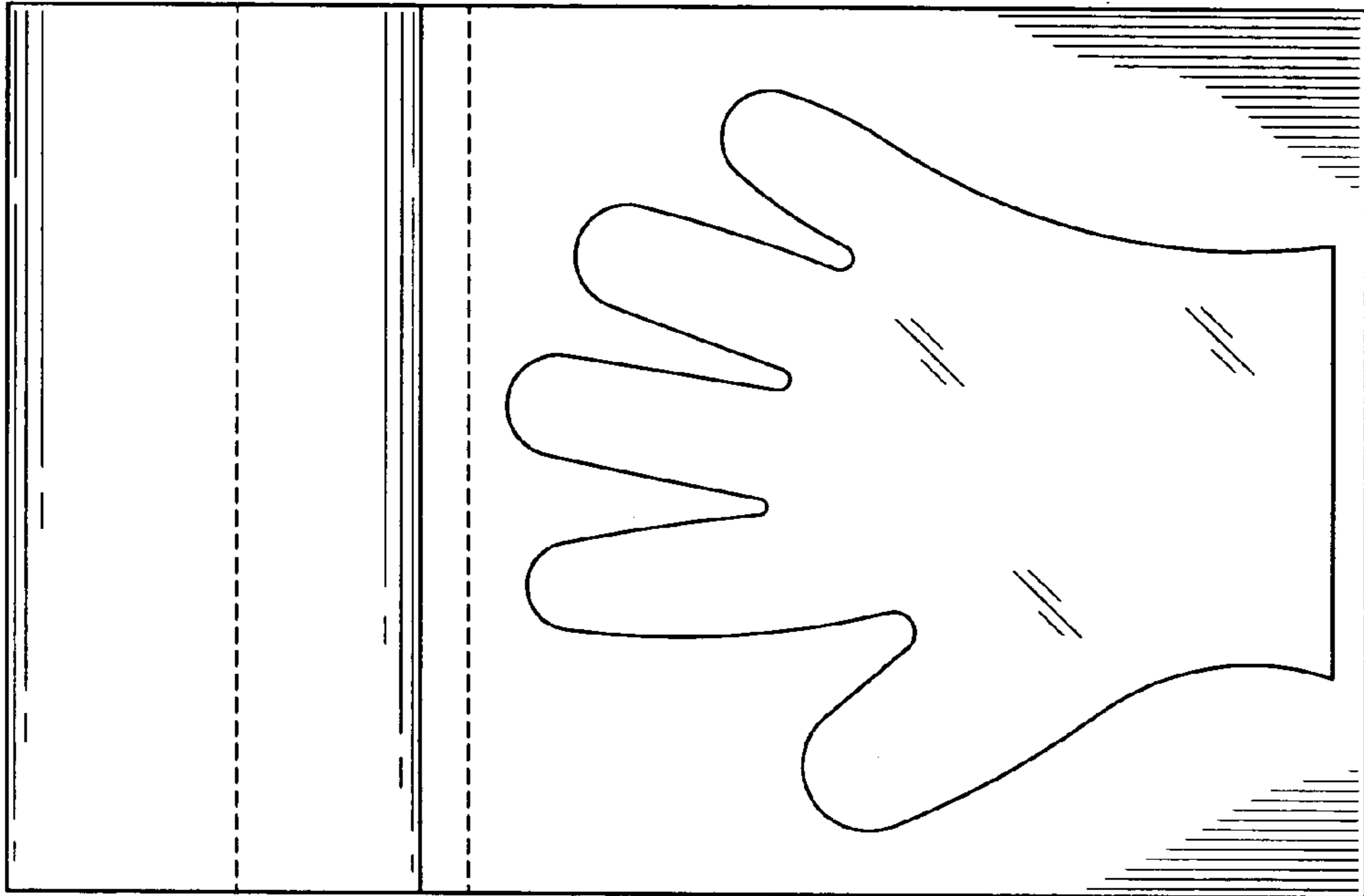


FIG-4

FIG-3

FIG-2

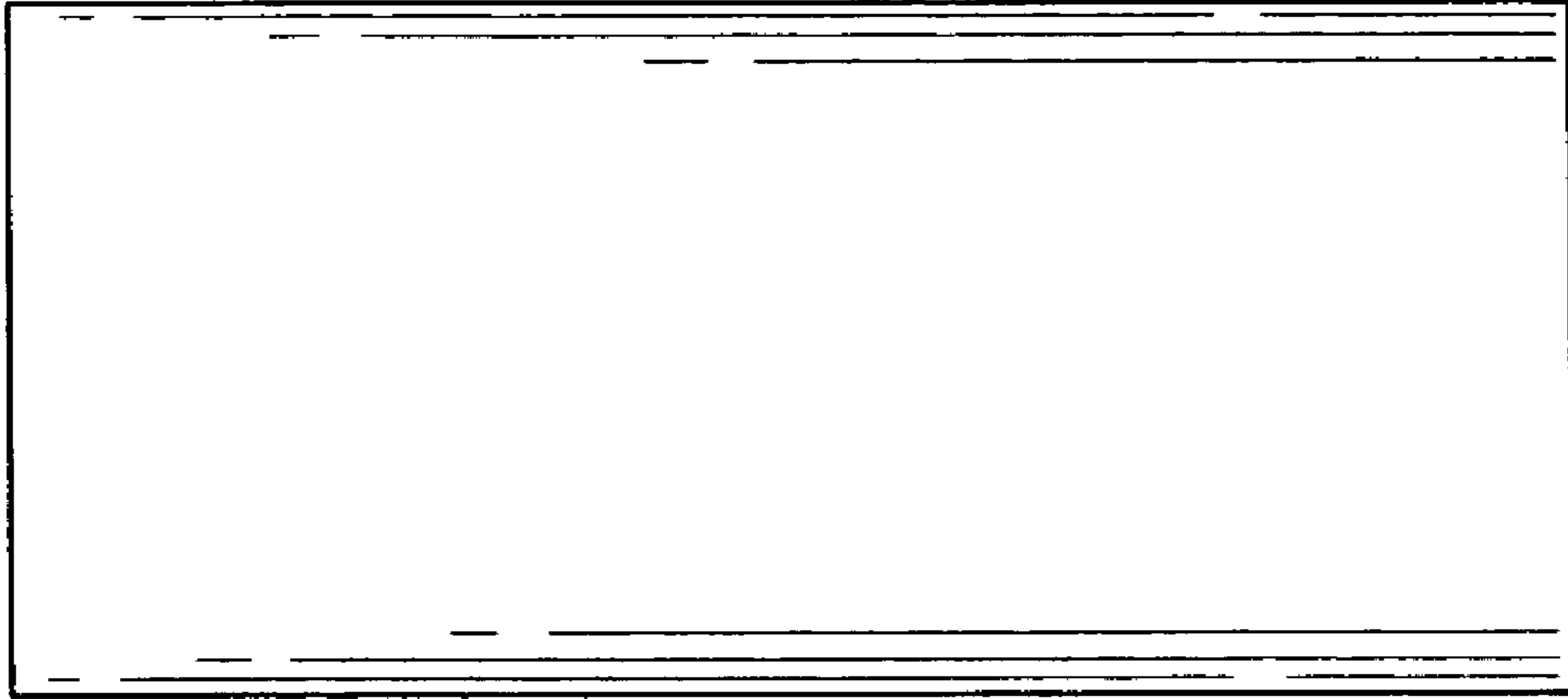


FIG-5

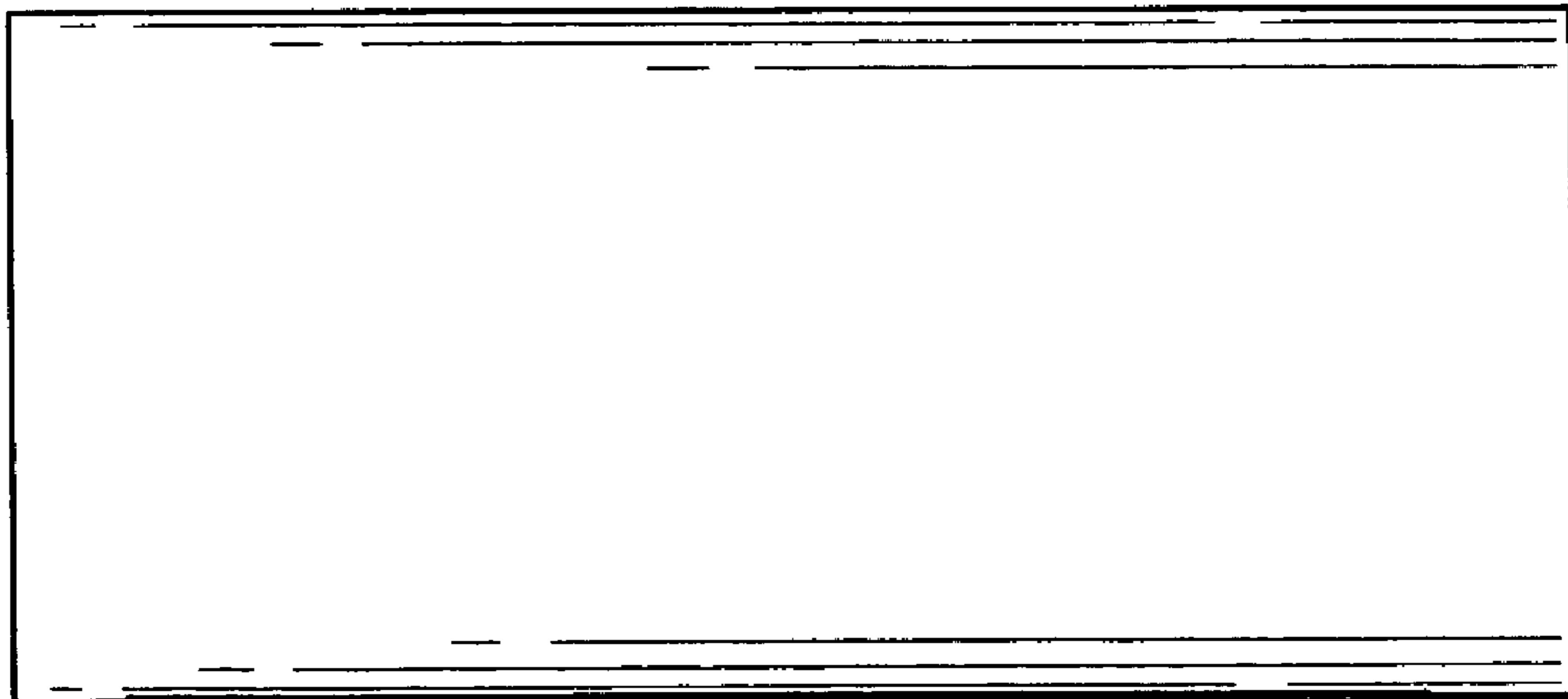


FIG-6

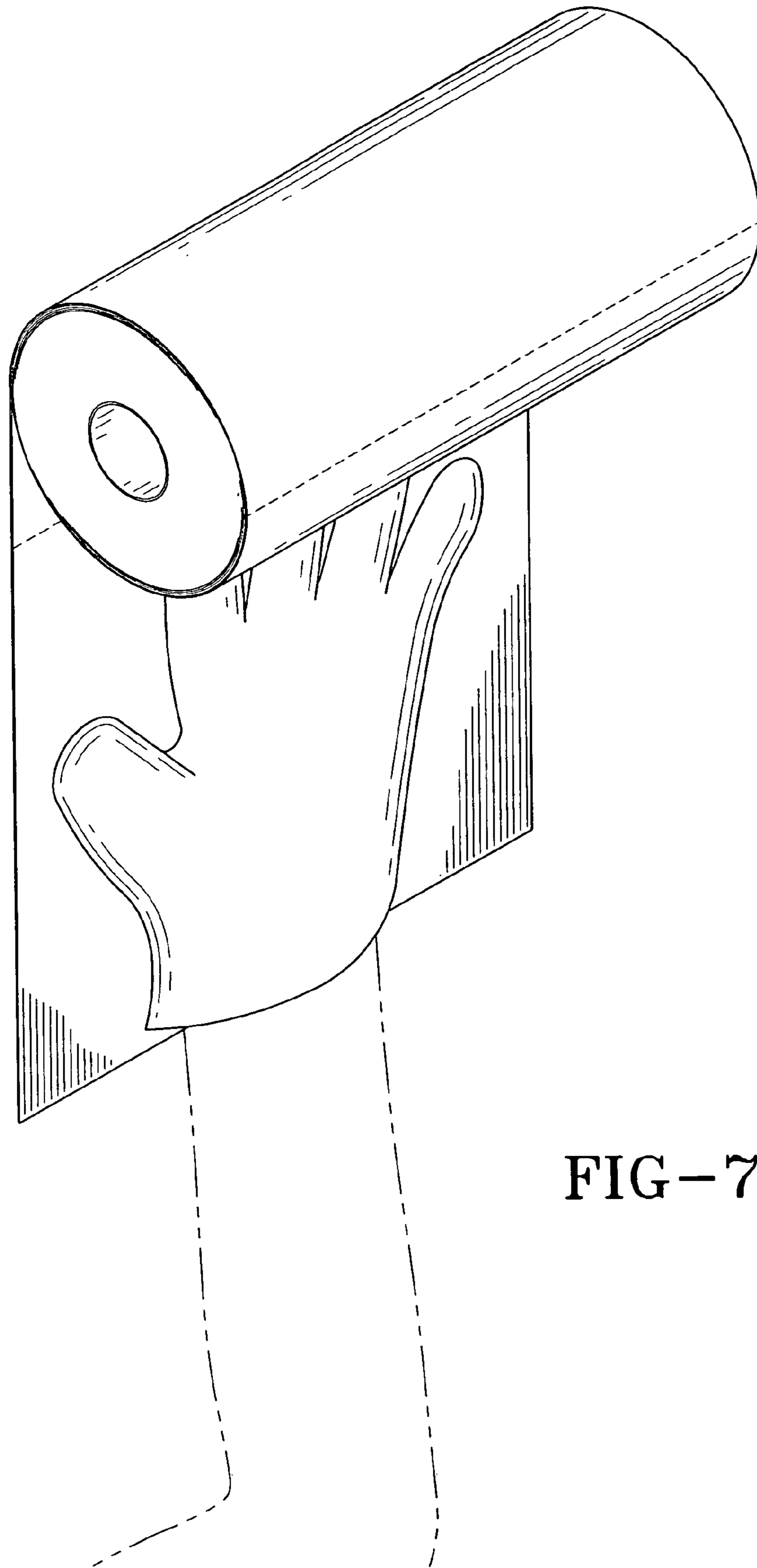


FIG-7

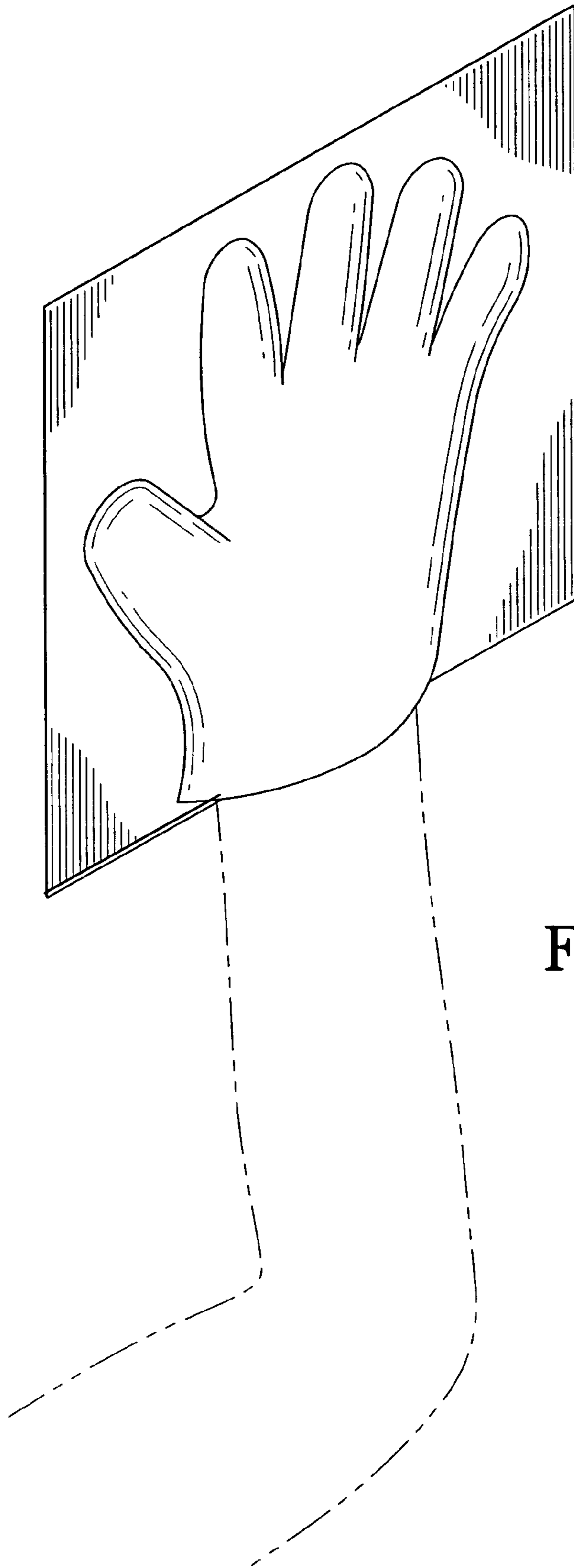


FIG-8