



US00D549389S

(12) **United States Design Patent Grant** (10) **Patent No.:** **US D549,389 S**
(45) **Date of Patent:** **** Aug. 21, 2007**

(54) **LIGHTER WITH CLIP**

D527,488 S 8/2006 Hung

(76) Inventor: **Eric Grant**, 1930 NW. 40th Pl.,
Gainesville, FL (US) 32605

* cited by examiner

Primary Examiner—Jennifer Rivard

(**) Term: **14 Years**

(74) *Attorney, Agent, or Firm*—Lawrence J. Gibney, Jr.

(21) Appl. No.: **29/273,059**

(57) **CLAIM**

(22) Filed: **Feb. 26, 2007**

The ornamental design for lighter with clip, as shown and described.

(51) **LOC (8) Cl.** **27-05**

DESCRIPTION

(52) **U.S. Cl.** **D27/161; D27/172**

FIG. 1 is an isometric elevational view of a lighter with clip showing my new design;

(58) **Field of Classification Search** D27/139–161,
D27/172; 206/85–89; 431/253

FIG. 2 is a front side elevational view thereof;

See application file for complete search history.

FIG. 3 is a side elevational view thereof;

(56) **References Cited**

U.S. PATENT DOCUMENTS

FIG. 4 is a top plan view thereof;

FIG. 5 is a bottom plan view thereof;

D261,775 S * 11/1981 Valigura D27/161

FIG. 6 is a top view of the device without the lighter thereof;

D303,159 S * 8/1989 Heath D27/172

FIG. 7 is a side view of the device without the lighter thereof; and,

D350,216 S 8/1994 Heaton

FIG. 8 is a front of the device view without the lighter.

D372,333 S 7/1996 Pearson

The broken lines are shown for illustrative purposes only and form no part of the claimed design.

D443,387 S 6/2001 Torres et al.

D471,316 S 3/2003 Budde

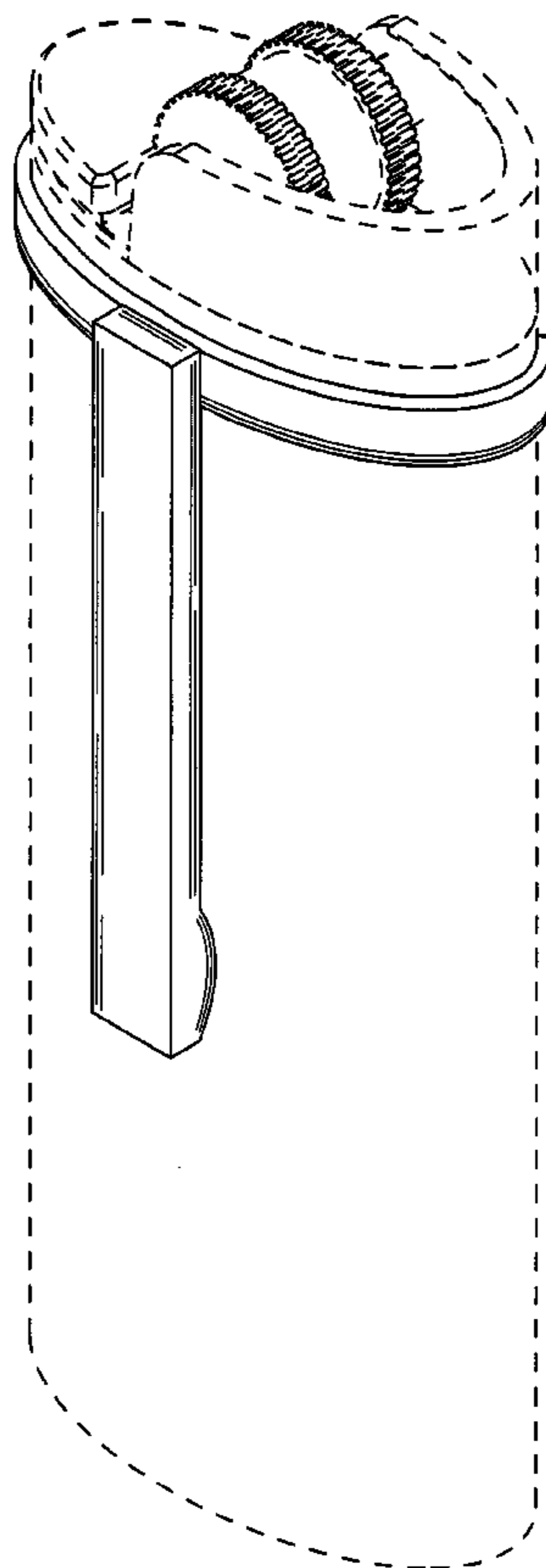
D489,478 S 5/2004 Shioi

D492,842 S 7/2004 Hoogenbos et al.

D495,133 S 8/2004 Hoogenbos et al.

D526,743 S 8/2006 Battista, III et al.

1 Claim, 4 Drawing Sheets



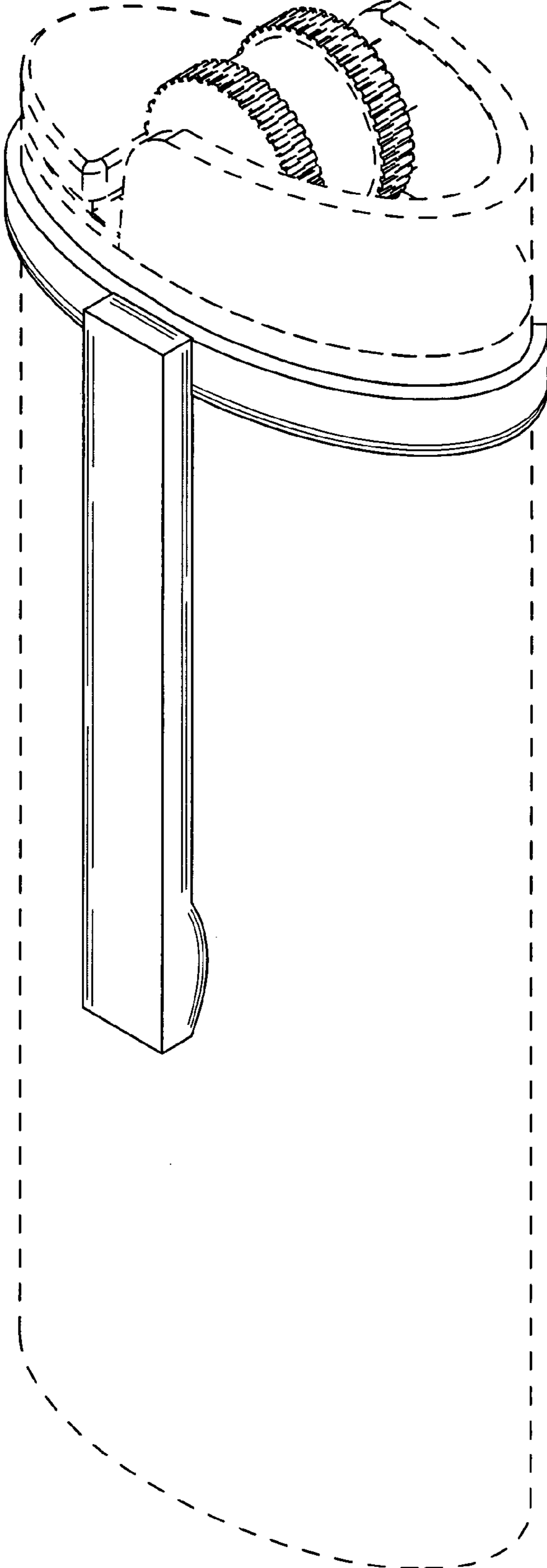


FIG. 1

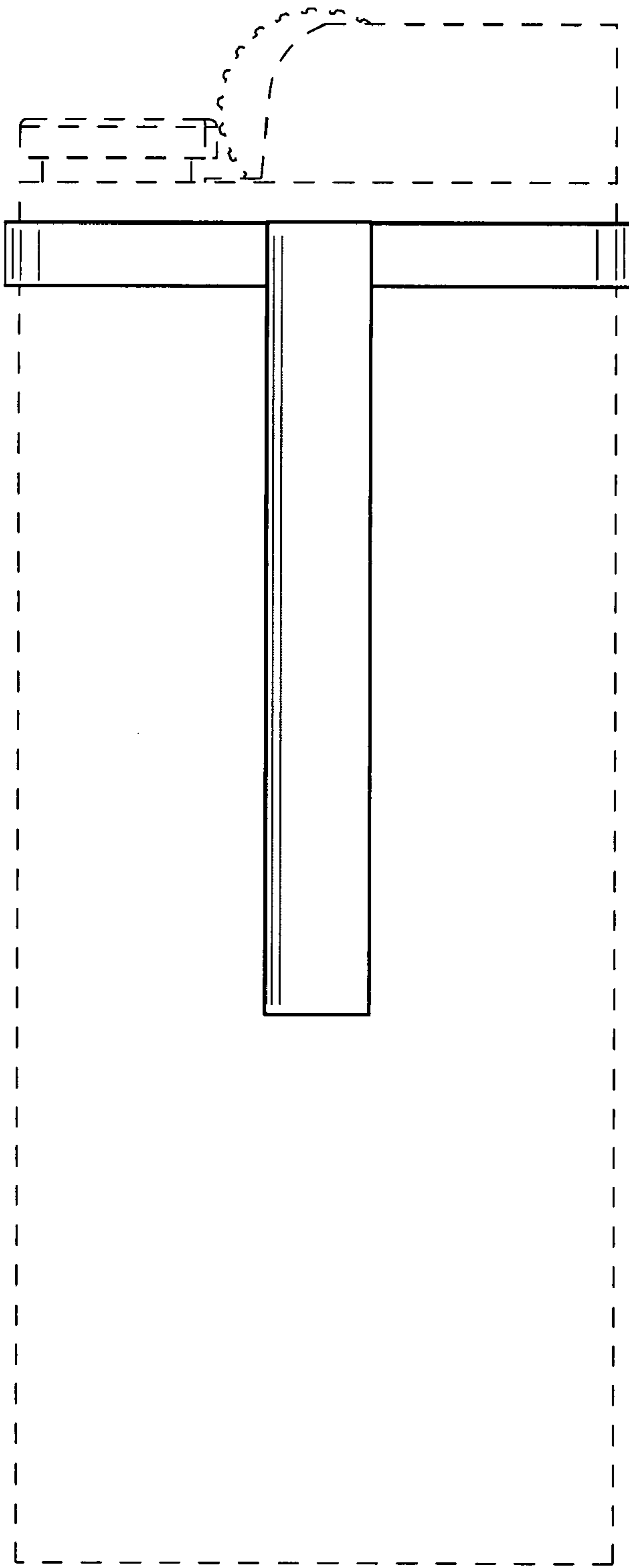


FIG. 2

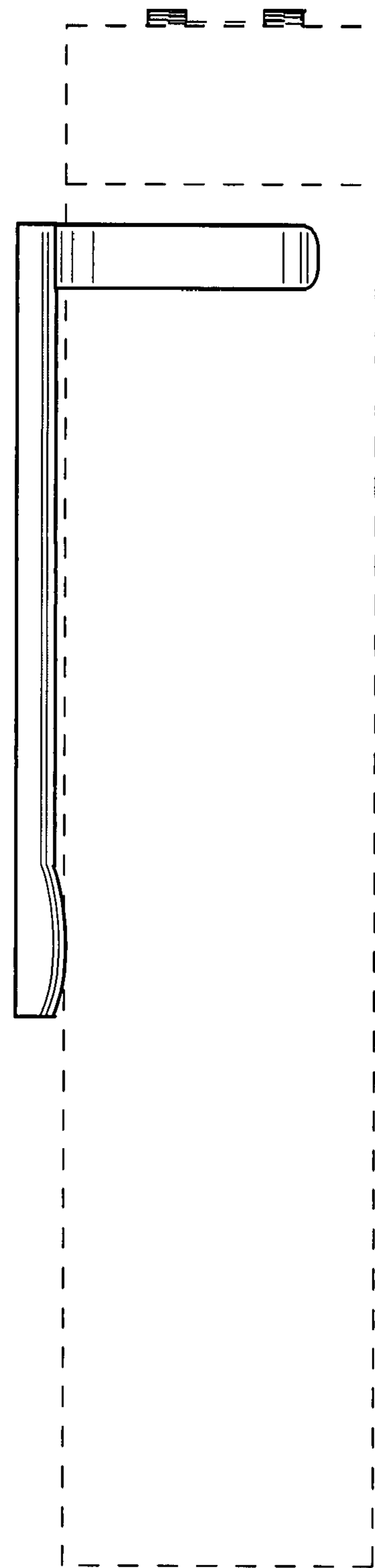


FIG. 3

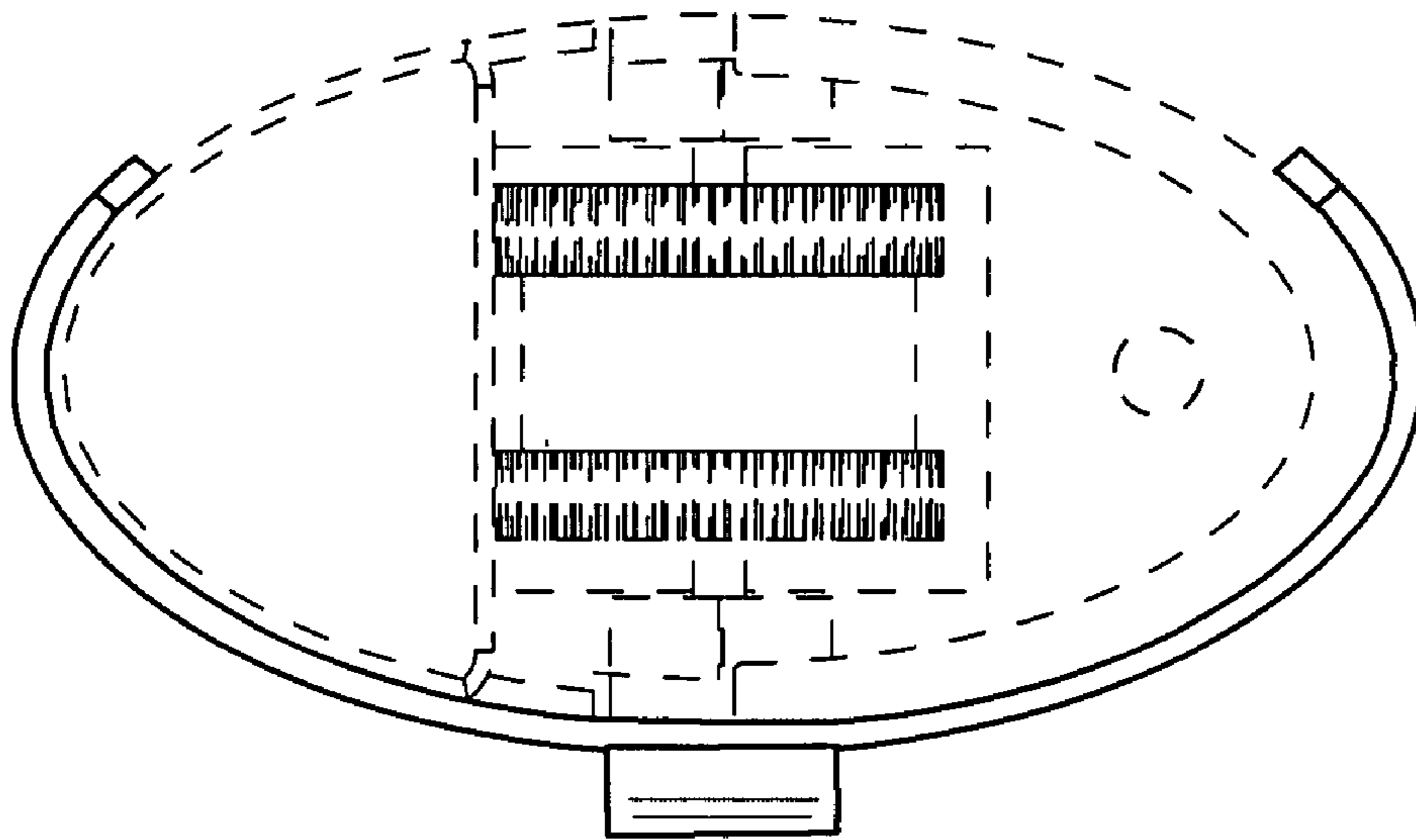


FIG. 4

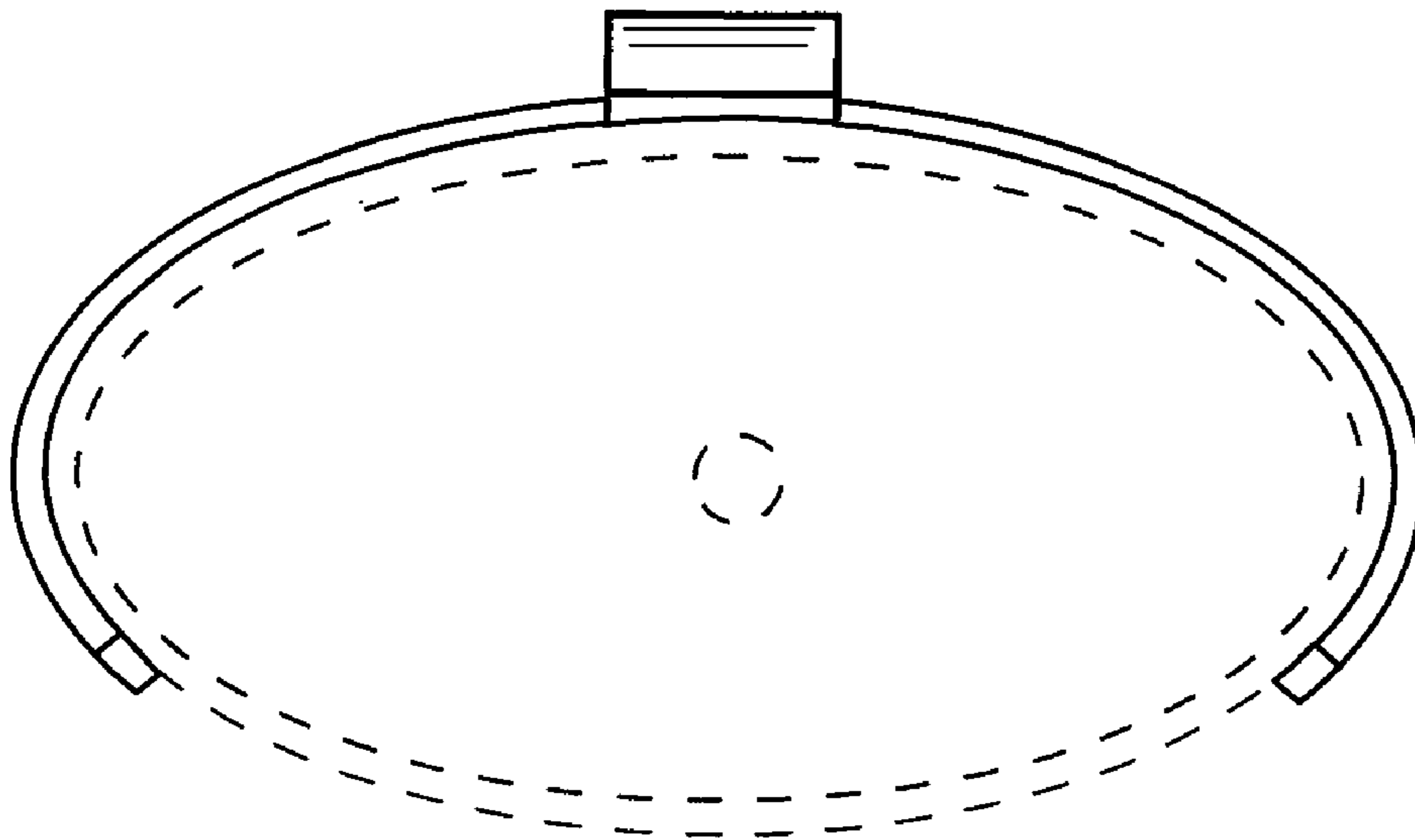


FIG. 5

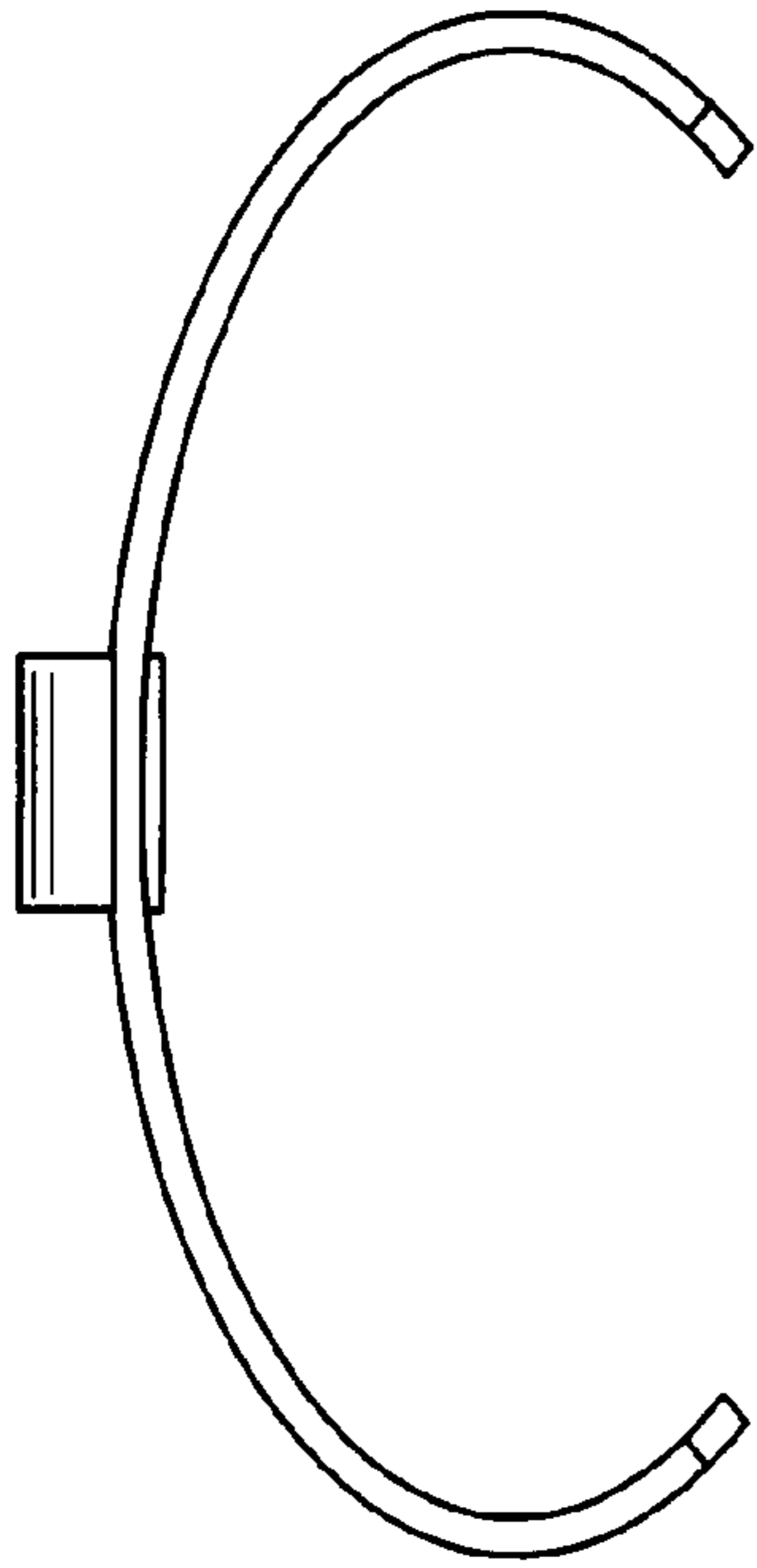


FIG. 6

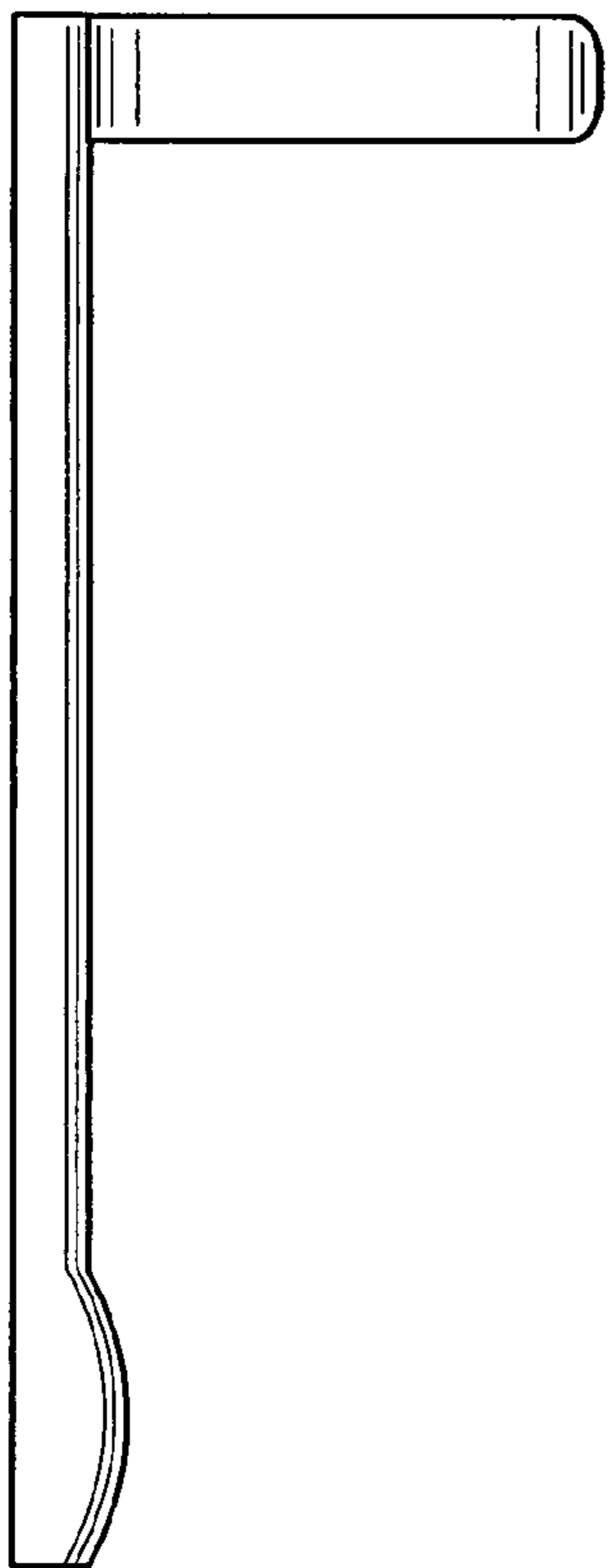


FIG. 7

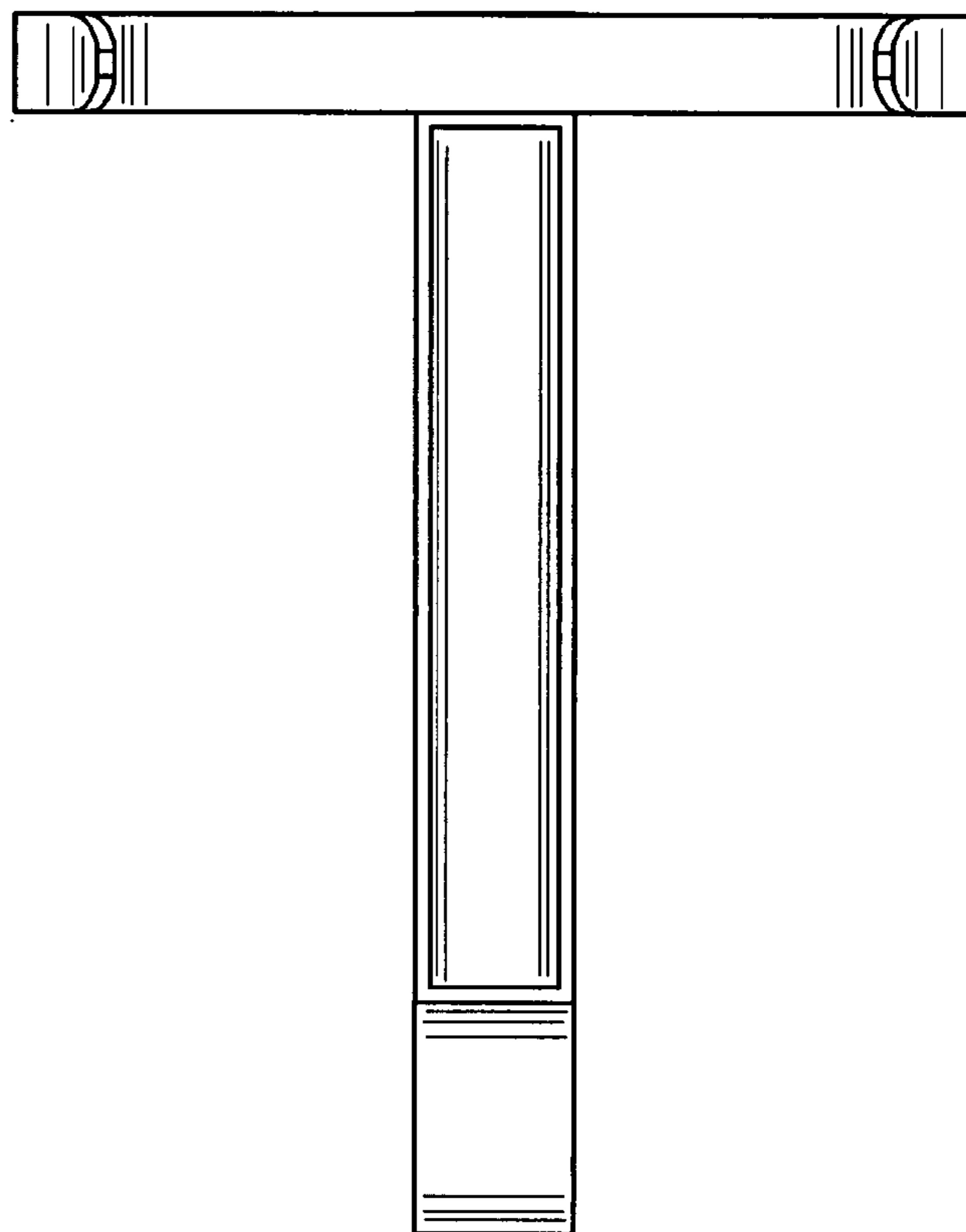


FIG. 8