



US00D549385S

(12) **United States Design Patent**  
**Lissoni**

(10) **Patent No.:** **US D549,385 S**

(45) **Date of Patent:** **\*\* Aug. 21, 2007**

(54) **CEILING LAMP**

(75) Inventor: **Piero Lissoni**, Milan (IT)

(73) Assignee: **FLOS S.p.A.** (IT)

(\*\*) Term: **14 Years**

(21) Appl. No.: **29/249,447**

(22) Filed: **Oct. 6, 2006**

(30) **Foreign Application Priority Data**

Apr. 19, 2006 (EM) ..... 000514328-0001

(51) **LOC (8) Cl.** ..... **26-03**

(52) **U.S. Cl.** ..... **D26/89**

(58) **Field of Classification Search** ..... D26/59,  
D26/85, 88, 89, 91, 128, 130-136; D23/377,  
D23/379, 411; 416/5; 362/147, 350, 364,  
362/365, 404, 406, 408

See application file for complete search history.

(56) **References Cited**

U.S. PATENT DOCUMENTS

D4,295 S \* 8/1870 Letchworth ..... D26/135  
D47,610 S \* 7/1915 Owen ..... D26/130  
D97,997 S \* 12/1935 Glatthar et al. .... D26/88  
D213,464 S \* 3/1969 Meyer ..... D26/89

D262,660 S \* 1/1982 Fairbanks et al. .... D26/88  
D333,867 S \* 3/1993 Markwardt ..... D23/377  
D344,129 S \* 2/1994 Markwardt ..... D23/377  
D482,484 S \* 11/2003 Benghozi ..... D26/85  
D490,183 S \* 5/2004 Benensohn ..... D26/89

**OTHER PUBLICATIONS**

Light fixture No. 9310 on p. 125 of Taiwan Lighting, May 2001.\*  
All Light Fixtures on p. 247 of the Volume International Corp. 2003  
Lighting Catalog.\*

\* cited by examiner

*Primary Examiner*—Clare E Heflin

(74) *Attorney, Agent, or Firm*—McGlew and Tuttle P.C.

(57) **CLAIM**

The ornamental design for a ceiling lamp, as shown and described.

**DESCRIPTION**

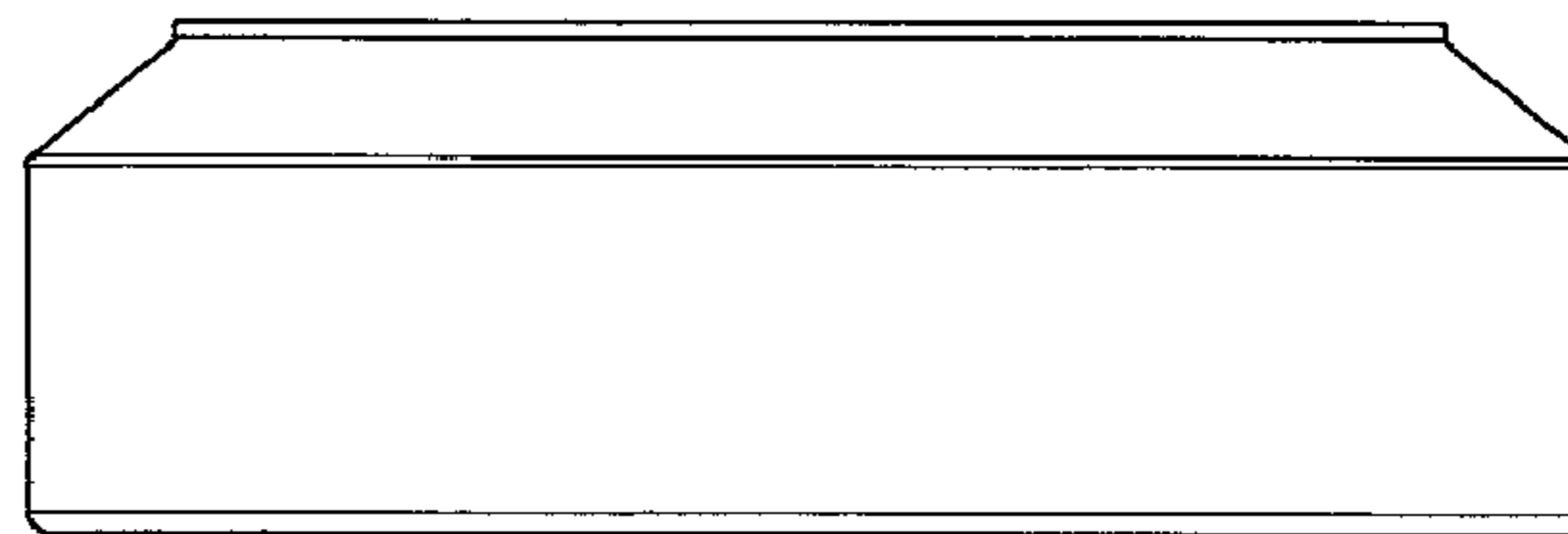
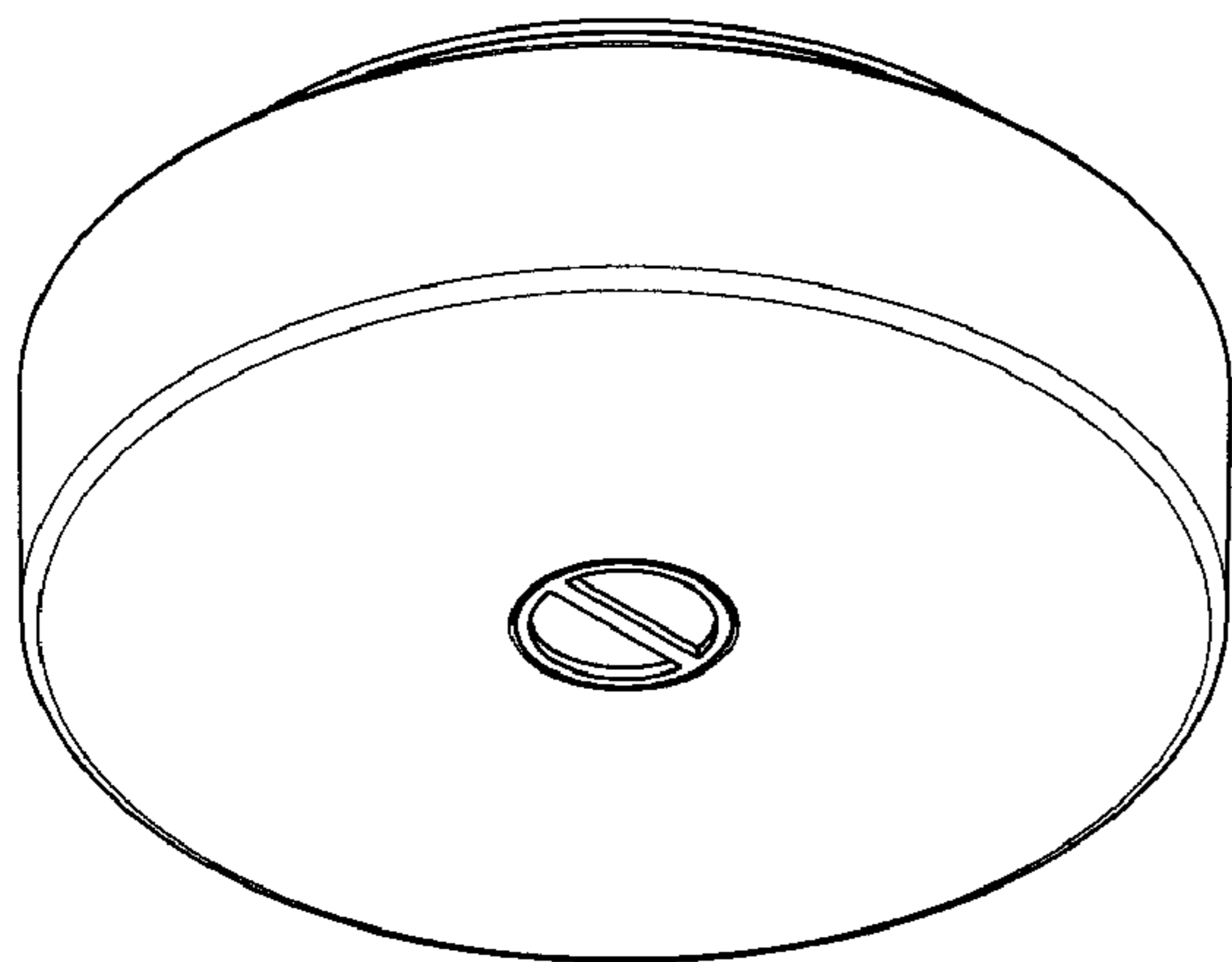
FIG. 1 is a perspective view of my new ceiling lamp;

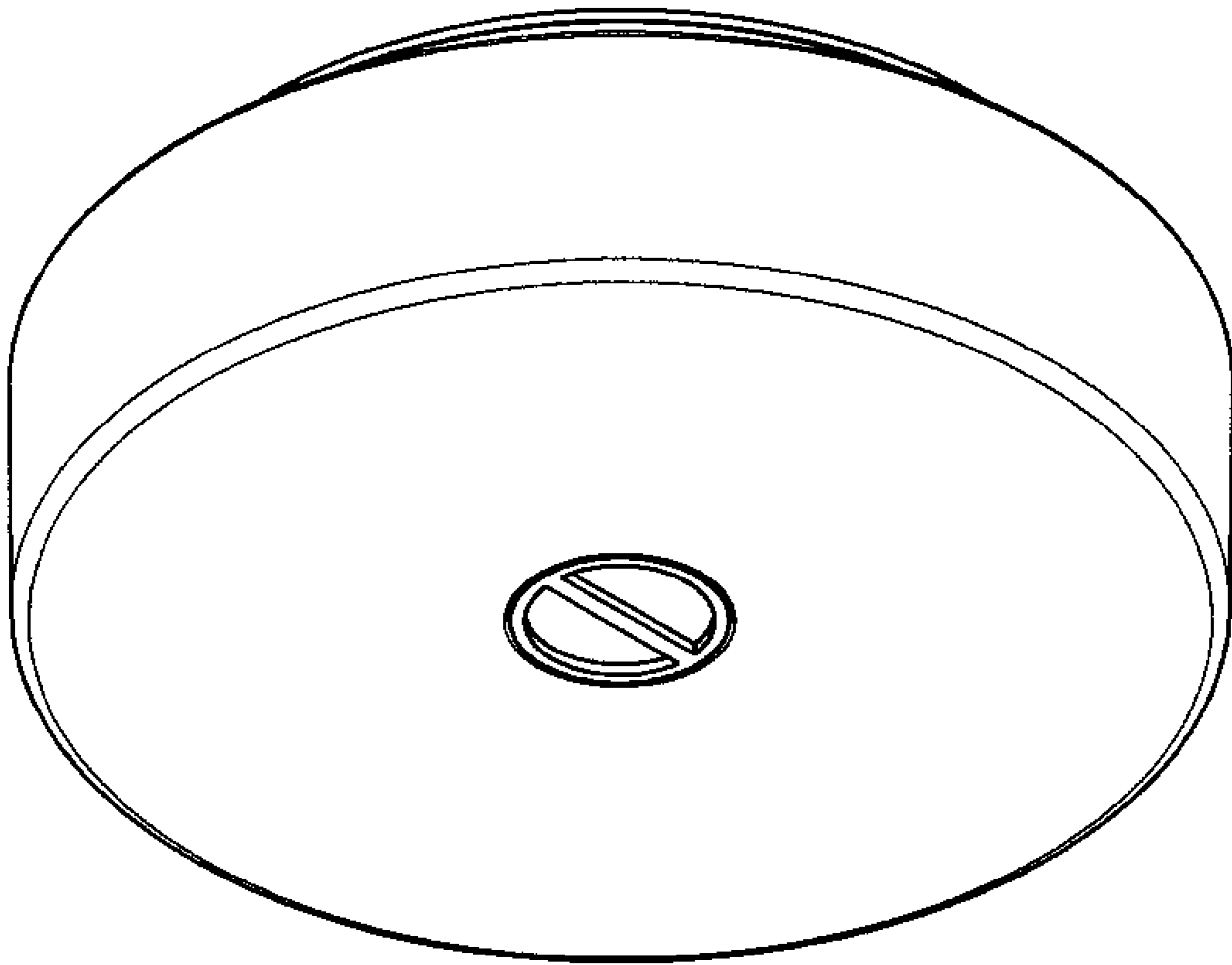
FIG. 2 is a front elevation view thereof, the rear and side views being like;

FIG. 3 is a bottom view thereof; and,

FIG. 4 is a top view thereof.

**1 Claim, 2 Drawing Sheets**





*FIG. 1*

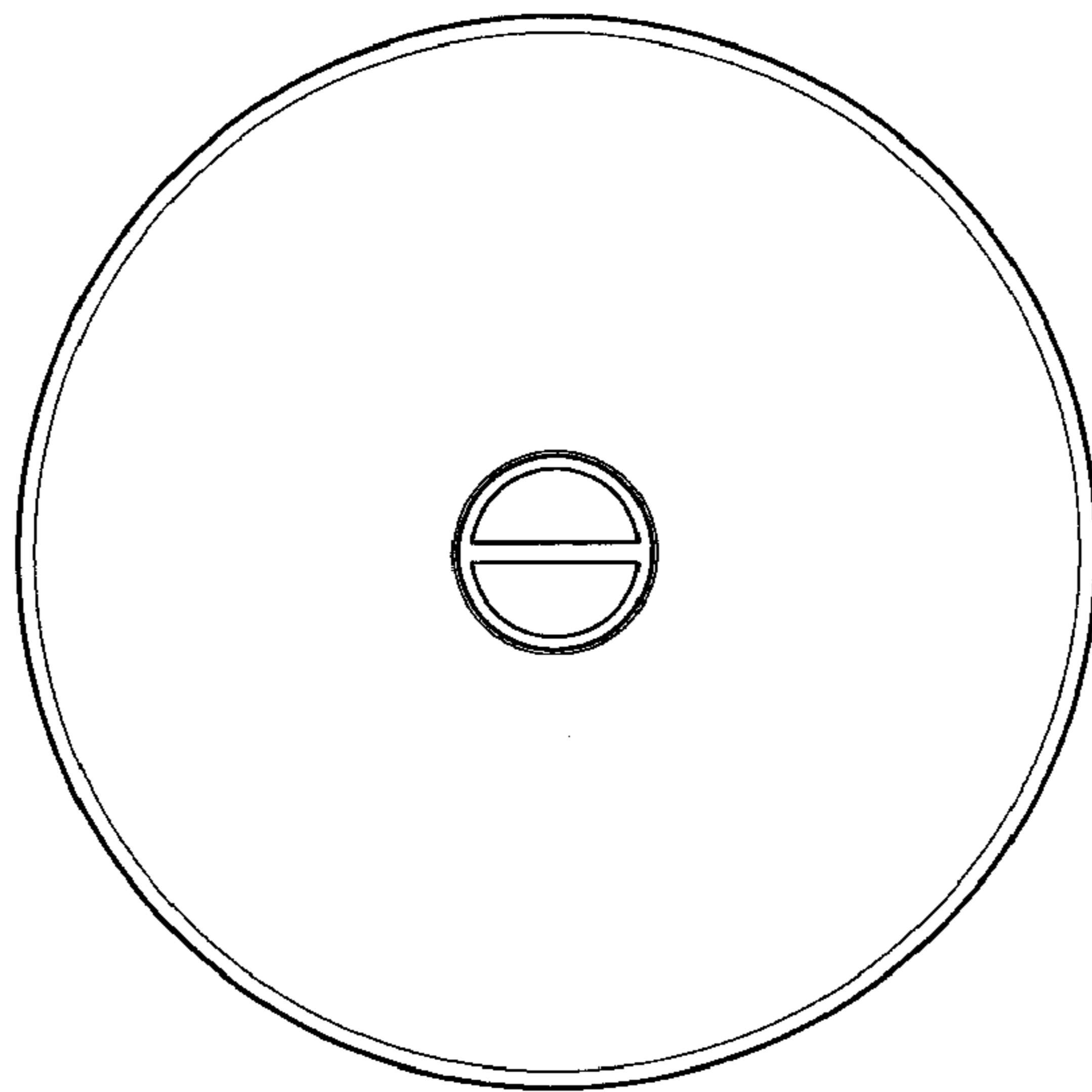


FIG. 3

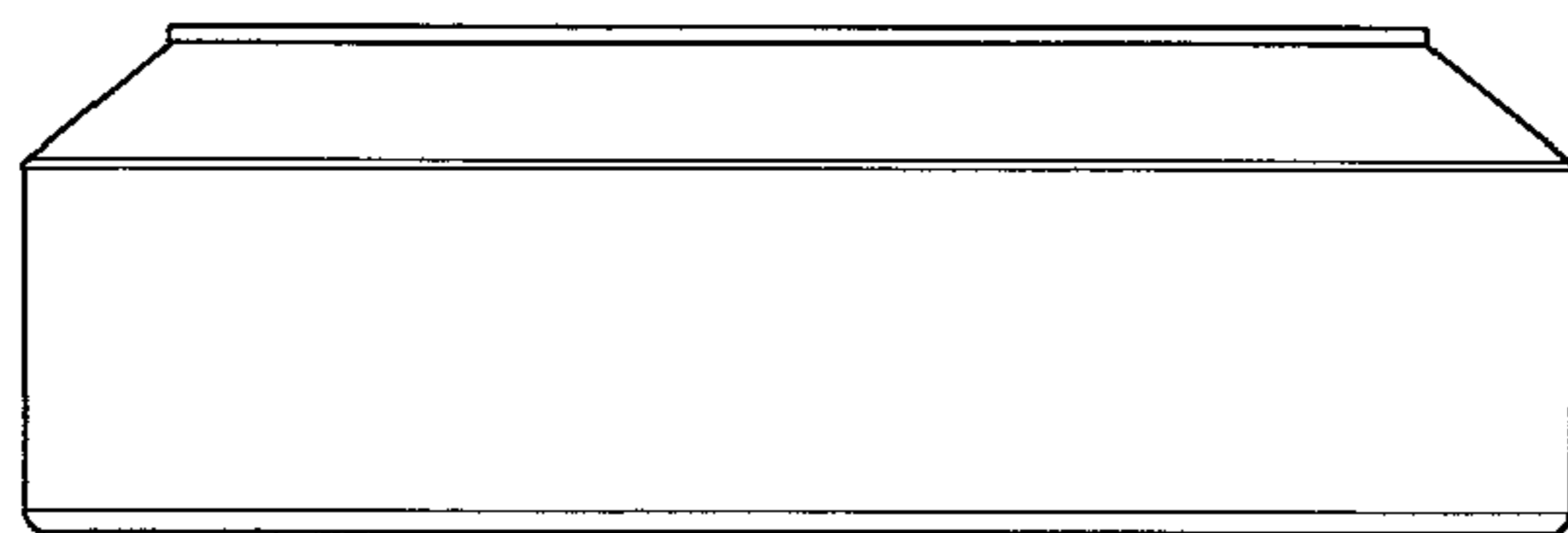


FIG. 2

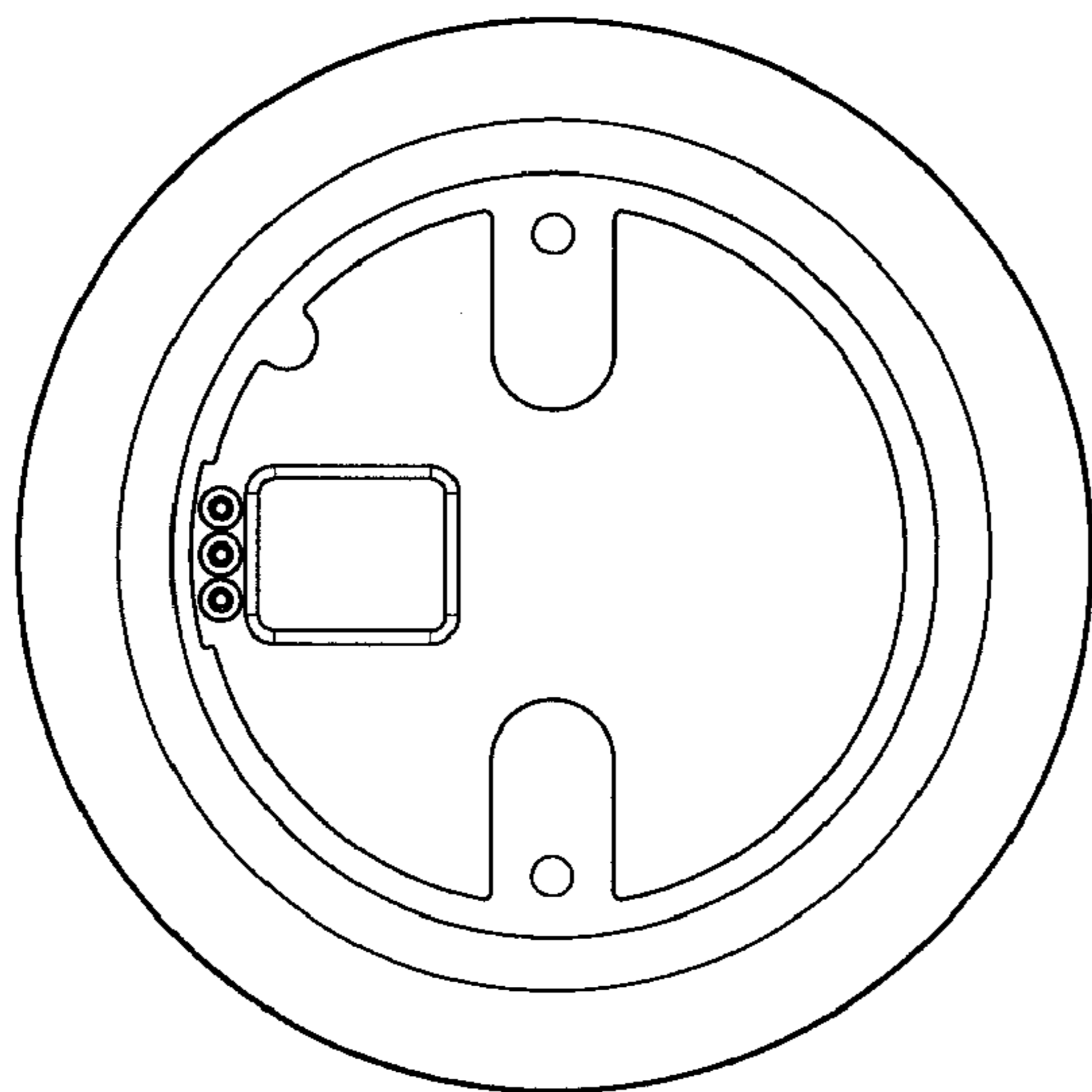


FIG. 4