



US00D549382S

(12) **United States Design Patent**
Lee

(10) **Patent No.:** **US D549,382 S**

(45) **Date of Patent:** **** Aug. 21, 2007**

(54) **LIGHT FITMENT**

(75) Inventor: **Peter Lee**, Kowloon (HK)

(73) Assignee: **Hip Shing Fat Co., Ltd.**, Kowloon (HK)

(**) Term: **14 Years**

(21) Appl. No.: **29/237,490**

(22) Filed: **Sep. 1, 2005**

(30) **Foreign Application Priority Data**

Apr. 13, 2005 (GB) 3020910

(51) **LOC (8) Cl.** **26-03**

(52) **U.S. Cl.** **D26/76; D26/75**

(58) **Field of Classification Search** D26/72,
D26/74-79; 362/217-225, 283, 147, 363
See application file for complete search history.

(56) **References Cited**

U.S. PATENT DOCUMENTS

D127,823 S *	6/1941	Biller	D26/78
D130,059 S *	10/1941	Herr	D26/78
D163,762 S *	6/1951	McCann	D26/76
D177,232 S *	3/1956	Harling	D26/24
3,069,537 A *	12/1962	Dayton et al.	362/222
D206,286 S *	11/1966	Ostyn	D26/76
D280,346 S *	8/1985	Aspenwall	D26/75
D291,928 S *	9/1987	Morten	D26/76
D330,269 S *	10/1992	Hong	D26/76
D348,947 S *	7/1994	Holcomb	D26/76
D371,858 S *	7/1996	Waldmann	D26/76
D396,122 S *	7/1998	Noh	D26/76
D424,230 S *	5/2000	Noh	D26/76
D438,326 S *	2/2001	Kan	D26/76
D451,228 S *	11/2001	Poon	D26/76

6,382,817 B1 *	5/2002	Chelf	362/322
D496,486 S *	9/2004	Kan	D26/76
D498,867 S *	11/2004	Keller	D26/78
D502,565 S *	3/2005	Hetfield	D26/76
D523,165 S *	6/2006	Schultz	D26/76

* cited by examiner

Primary Examiner—Louis S. Zarfes

Assistant Examiner—Susan E Krakower

(74) *Attorney, Agent, or Firm*—Carmody & Torrance LLP

(57) **CLAIM**

The ornamental design for light fitment, as shown and described.

DESCRIPTION

FIG. 1 is a left front perspective view of a light fitment showing my new design;

FIG. 2 is a front elevational view thereof;

FIG. 3 is a left side elevational view thereof;

FIG. 4 is a top plan view thereof;

FIG. 5 is a rear elevational view thereof;

FIG. 6 is a right side elevational view thereof;

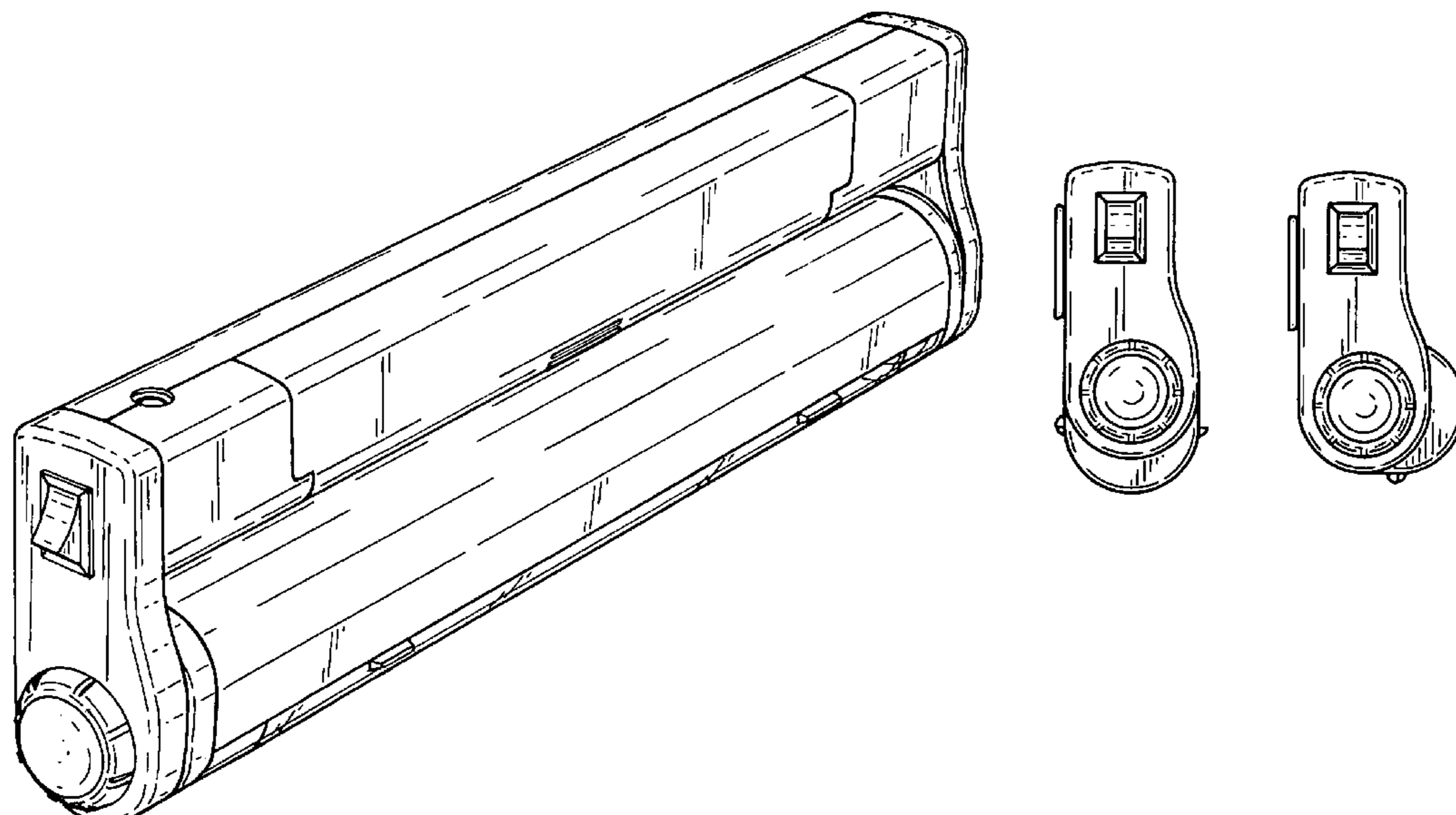
FIG. 7 is a bottom plan view thereof;

FIG. 8 is a left front perspective view in an alternate position, thereof; and,

FIG. 9 is a left side elevational view in an alternate position, thereof.

A characteristic feature of the design resides in the shape and configuration of the light fitment which is adjustable as the bulb mounting is rotated between its position as illustrated in FIGS. 1 to 7 and its position as illustrated in FIGS. 8 and 9.

1 Claim, 4 Drawing Sheets



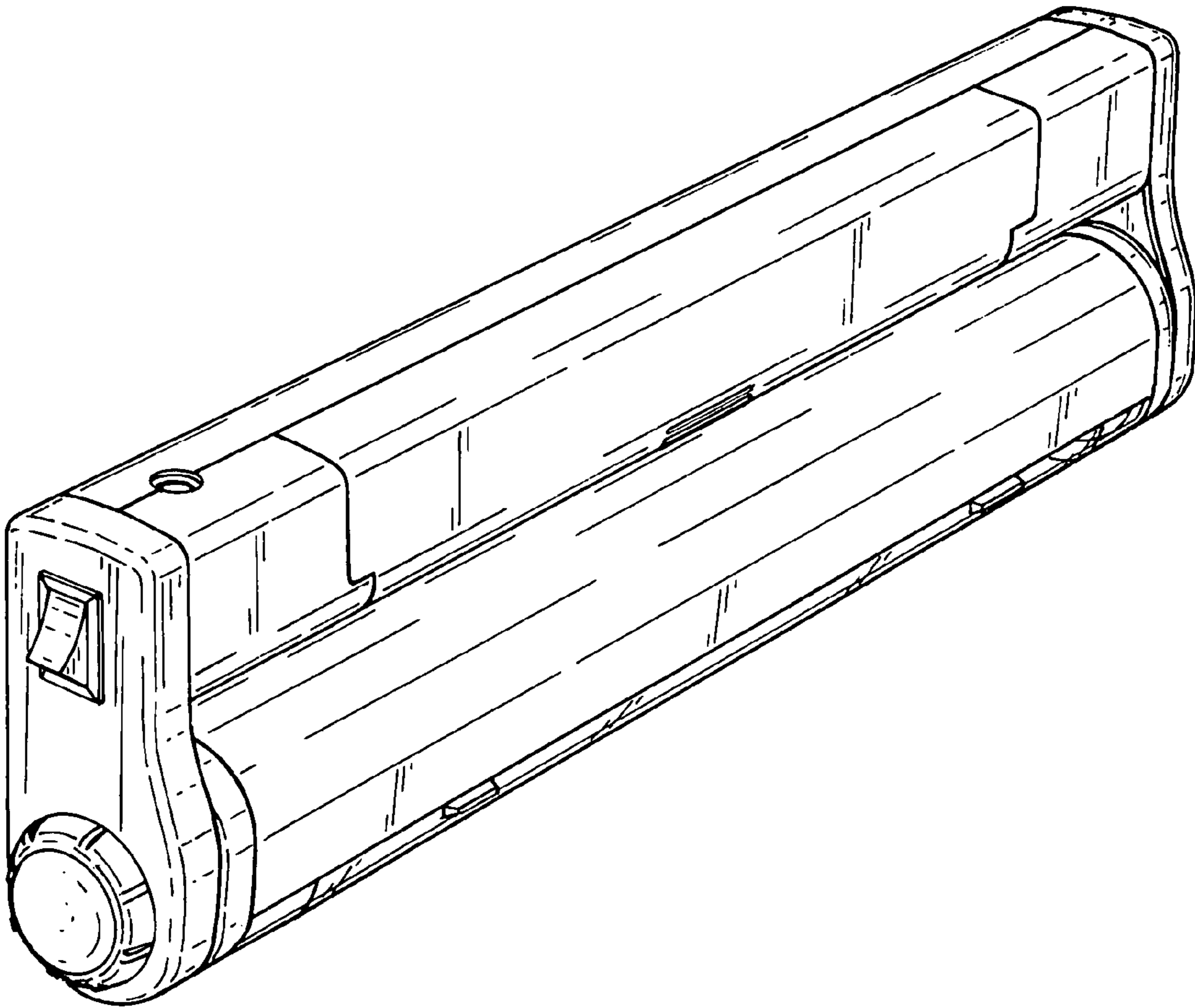


Fig. 1.

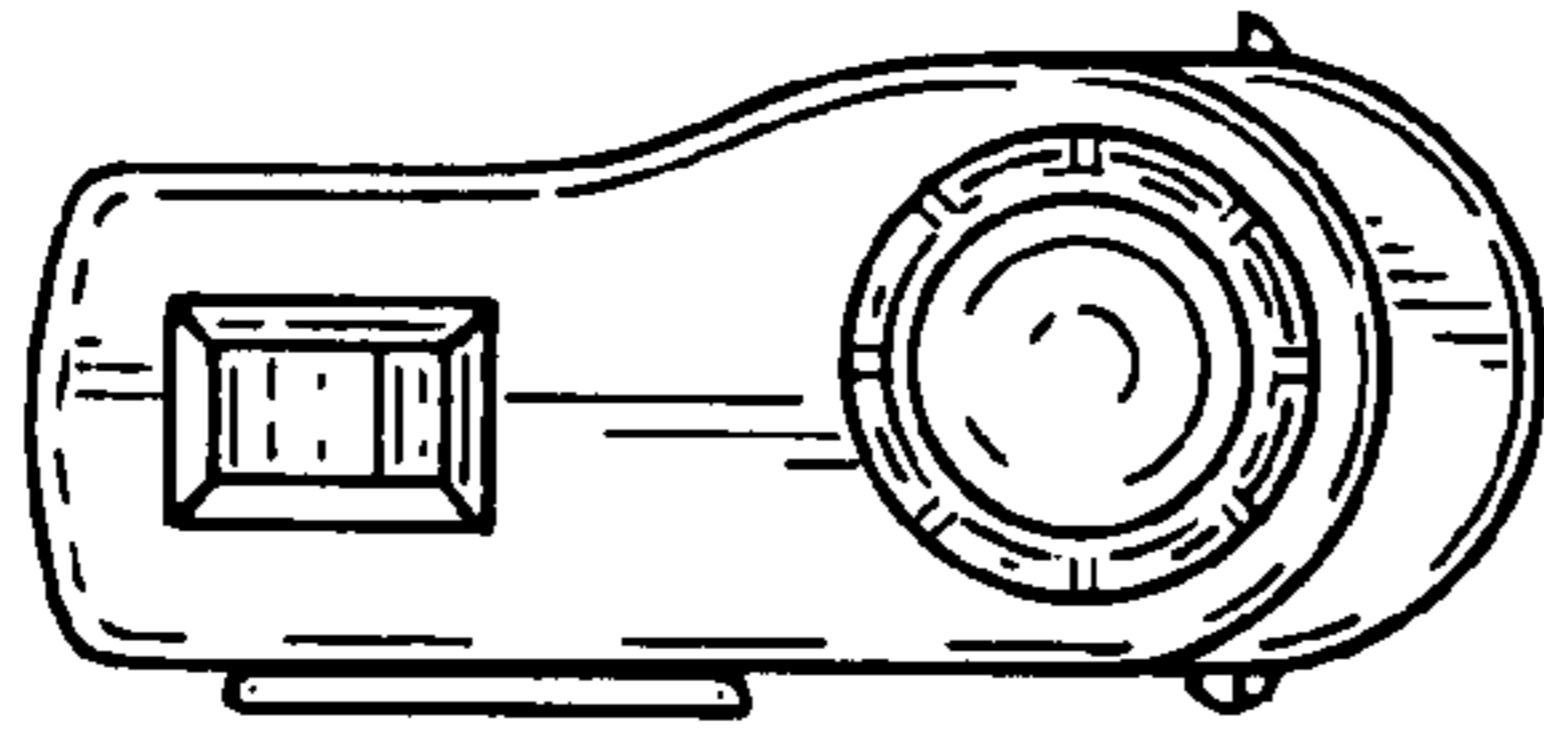


Fig. 3.

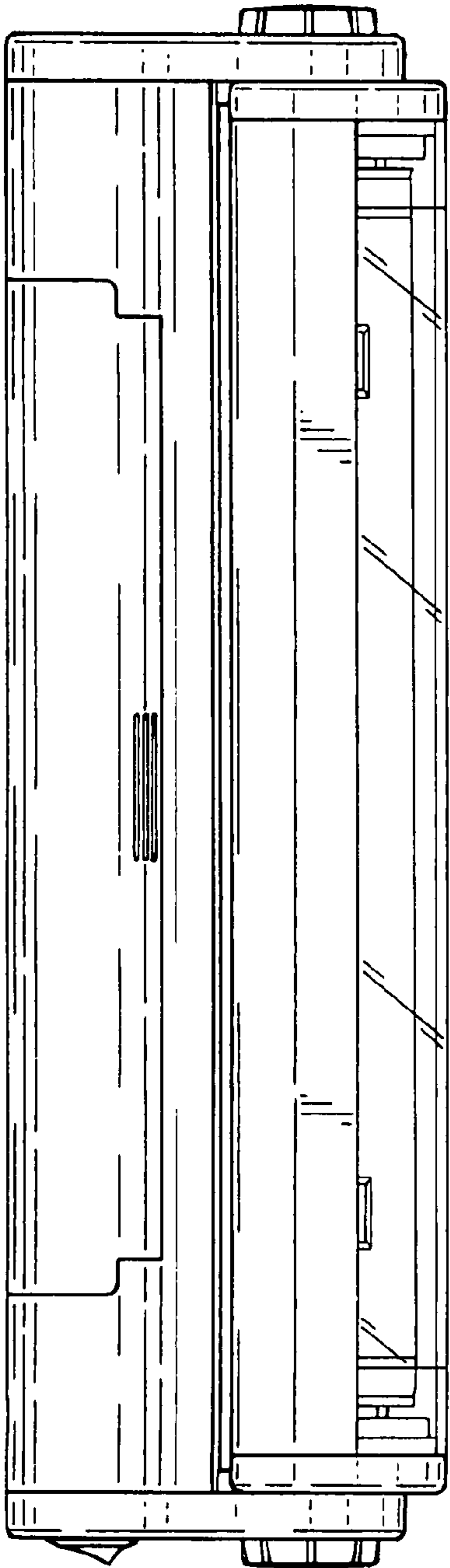


Fig. 2.

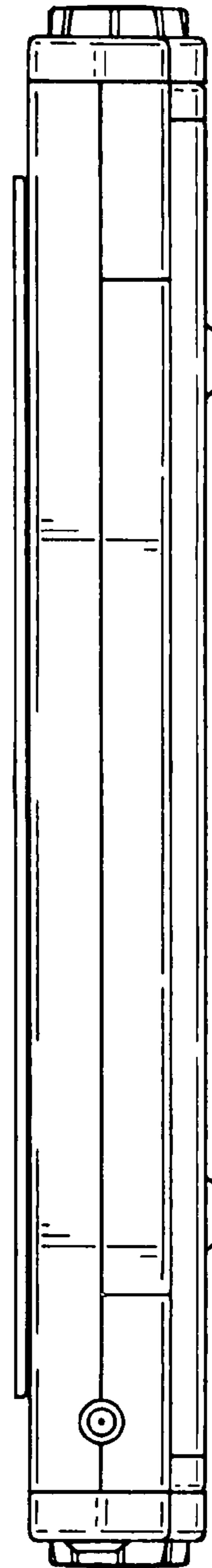


Fig. 4.

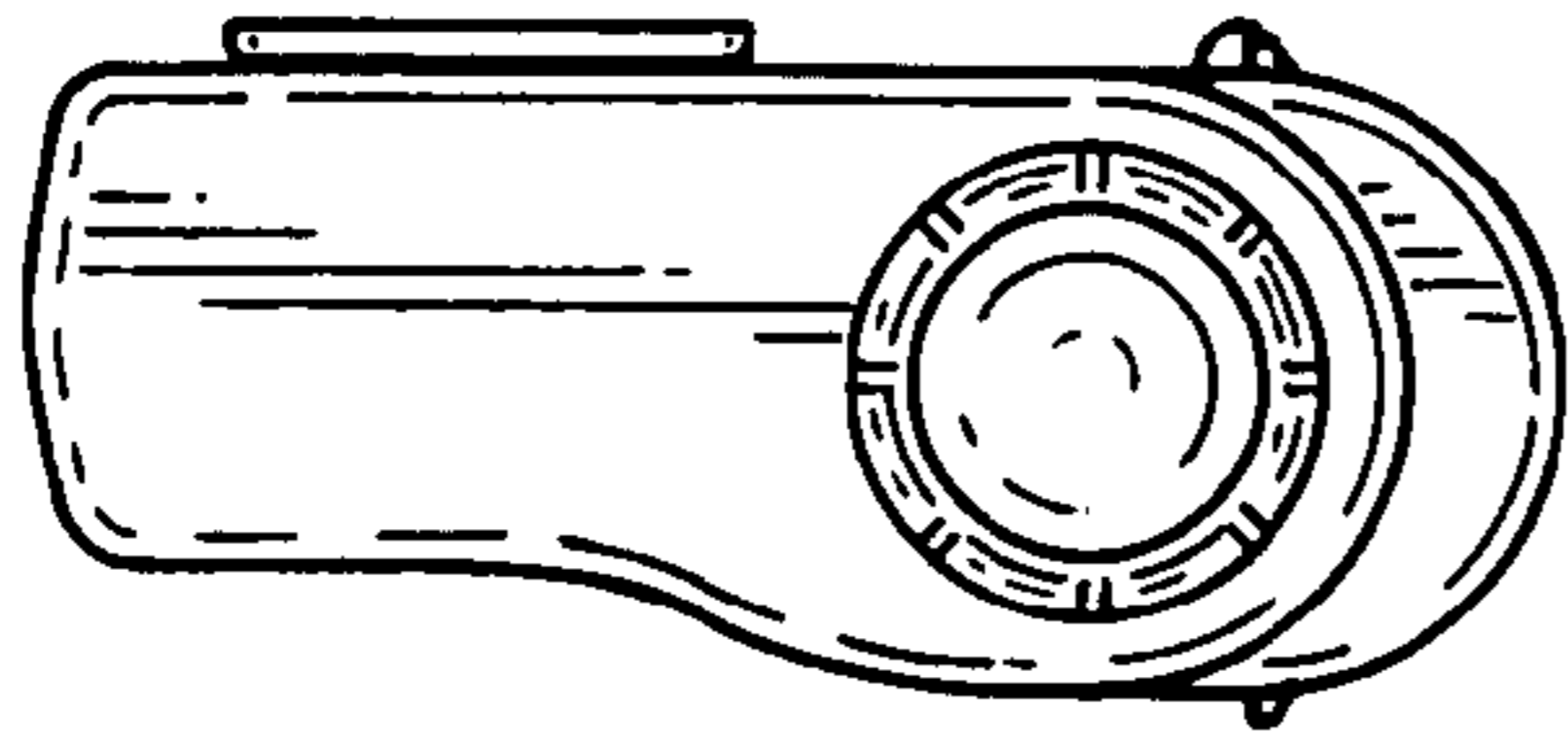


Fig. 6.

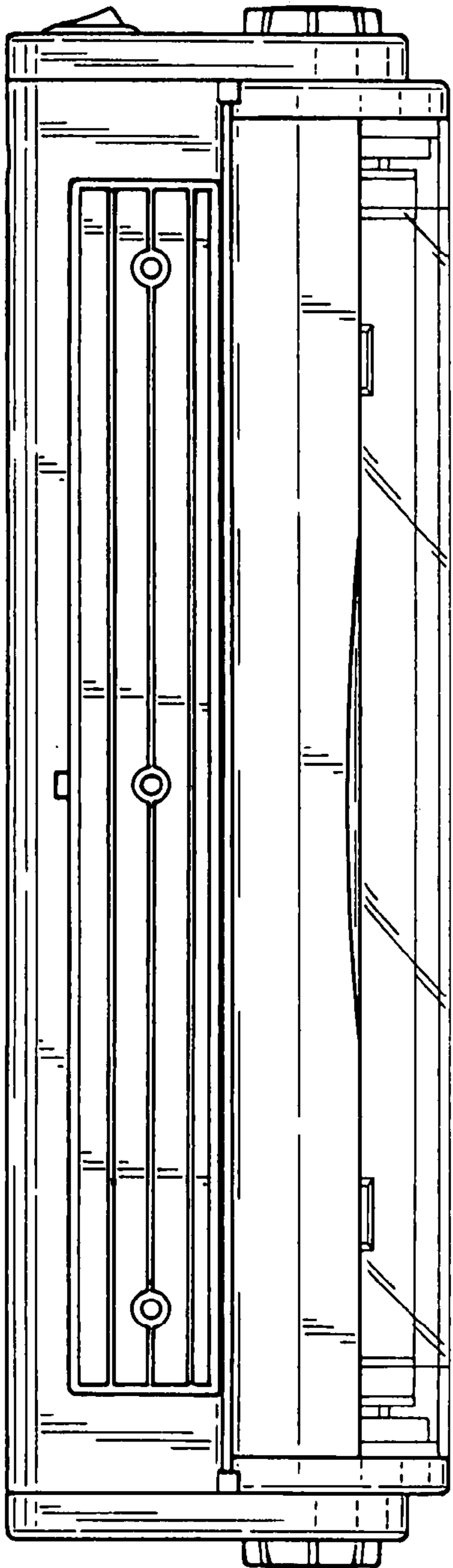


Fig. 5.



Fig. 7.

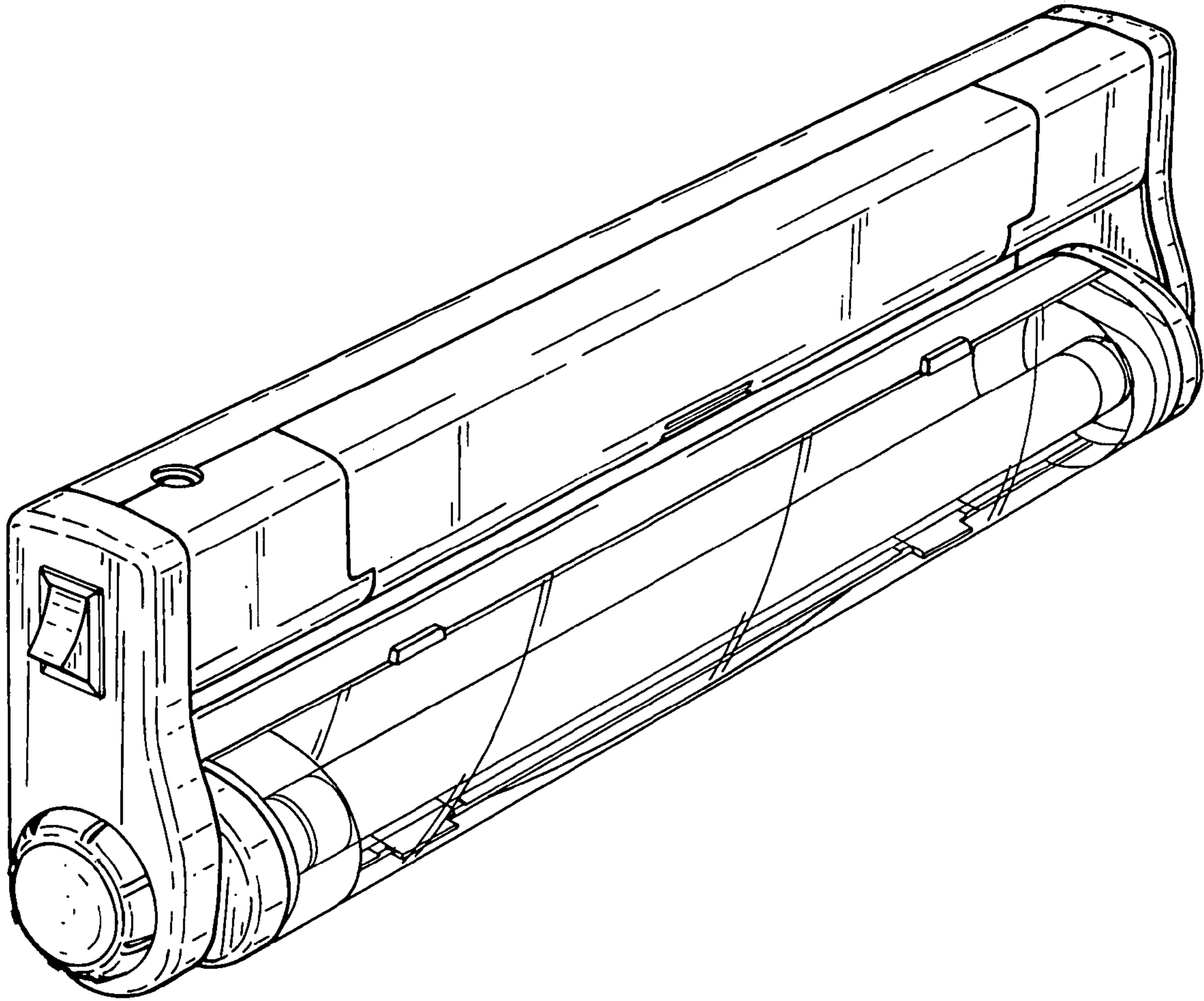


Fig. 8.

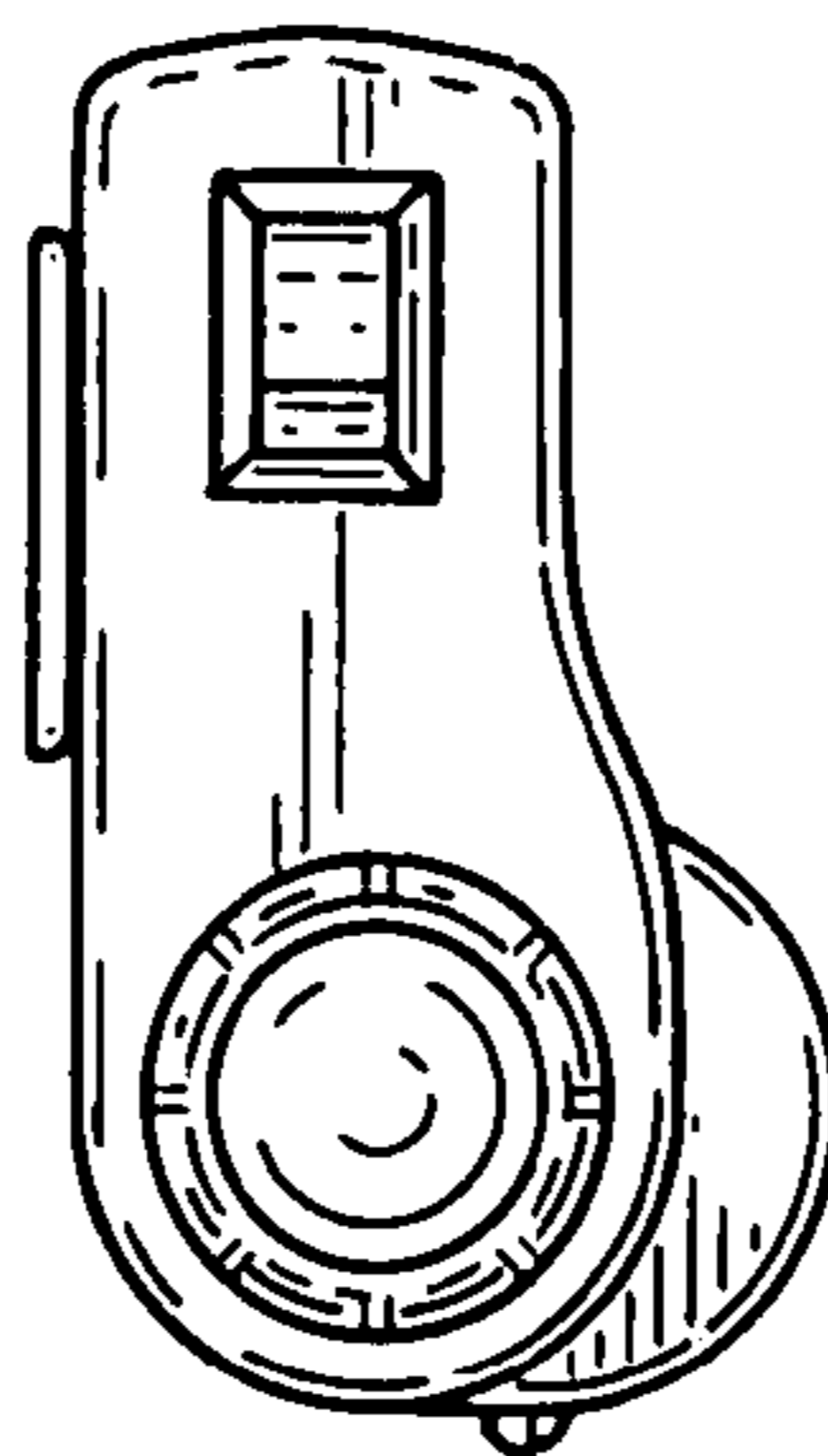


Fig. 9.