

US00D549379S

(12) **United States Design Patent**
Sharrah et al.

(10) **Patent No.:** **US D549,379 S**

(45) **Date of Patent:** **** Aug. 21, 2007**

(54) **PORTABLE LIGHT**

(75) Inventors: **Raymond L Sharrah**, Collegeville, PA (US); **Matthew B. Dalton**, Elkins Park, PA (US)

(73) Assignee: **Streamlight, Inc.**, Eagleville, PA (US)

(**) Term: **14 Years**

(21) Appl. No.: **29/264,990**

(22) Filed: **Aug. 23, 2006**

(51) **LOC (8) Cl.** **26-05**

(52) **U.S. Cl.** **D26/60; D26/63**

(58) **Field of Classification Search** D26/37,
D26/43, 44, 60-63, 65, 39, 51; 362/98, 99,
362/109-114, 191, 197, 198, 287, 427, 396;
D22/108-110

See application file for complete search history.

(56) **References Cited**

U.S. PATENT DOCUMENTS

D221,895 S *	9/1971	Angibaud	D26/37
4,228,485 A	10/1980	Hubbard et al.		
4,346,329 A	8/1982	Schmidt		
4,649,323 A	3/1987	Pearlman et al.		
D296,827 S *	7/1988	Yuen	D26/44
D328,144 S *	7/1992	Yuen	D26/44
D335,715 S *	5/1993	Wan	D26/44
5,248,919 A	9/1993	Hanna et al.		
D344,358 S *	2/1994	Yuen	D26/38
D349,776 S *	8/1994	Yuen	D26/44
5,359,779 A	11/1994	Polk		
5,418,433 A	5/1995	Nilssen		
D367,087 S *	2/1996	Mathews	D26/39
D368,145 S *	3/1996	Smith	D26/39
5,629,105 A	5/1997	Mathews		
5,682,558 A	10/1997	Kirigaya et al.		
5,871,272 A	2/1999	Sharrah et al.		
D413,993 S *	9/1999	Yuen	D26/44
6,024,471 A	2/2000	McDermott		
6,046,572 A	4/2000	Mathews		
D425,642 S *	5/2000	Zeller	D26/44
6,184,930 B1	2/2001	Mitsubishi et al.		

6,222,138 B1	4/2001	Mathews et al.		
6,249,089 B1	6/2001	Bruwer		
6,296,367 B1	10/2001	Parsons et al.		
6,307,328 B1	10/2001	Ko et al.		
6,443,605 B1 *	9/2002	Kasboske	362/287
6,621,225 B2	9/2003	Bruwer		
6,650,066 B2	11/2003	Bruwer		
6,659,621 B2	12/2003	Sharrah et al.		
6,841,941 B2	1/2005	Kim et al.		
6,952,084 B2	10/2005	Bruwer		
6,984,900 B1	1/2006	Bruwer		
2002/0021573 A1	2/2002	Zhang		
2002/0097576 A1	7/2002	Sharrah et al.		
2004/0217655 A1	11/2004	Bruwer		
2004/0227409 A1	11/2004	Bruwer		
2005/0077837 A1	4/2005	Kim et al.		
2005/0083626 A1	4/2005	Bruwer		
2005/0121980 A1	6/2005	Bruwer		
2005/0122710 A1	6/2005	Kim		
2005/0122712 A1	6/2005	Kim		
2005/0122714 A1	6/2005	Mathews et al.		
2005/0128741 A1	6/2005	Mathews et al.		
2005/0140310 A1	6/2005	Bruwer		
2005/0237737 A1	10/2005	Kim		

OTHER PUBLICATIONS

SureFire U2 Ultra LED Flashlight (including larger image), © 2001-2005, http://www.surefire.com/maxexp/main/co_disp/displ/prrfnbr/24187/sesent/00, Printed Dec. 1, 2005, 3 pages.

LED Lights Comparison Chart, http://www.surefire.com/surefire/content/comparechart_LED.html, Printed Dec. 5, 2005, 1 page.

Flashlight Reviews and LED Modifications, FlashlightReviews.com, "In2theLight Trio, 29 LED Flashlight", 7pages (prior to filing date).

* cited by examiner

Primary Examiner—Clare E Heflin

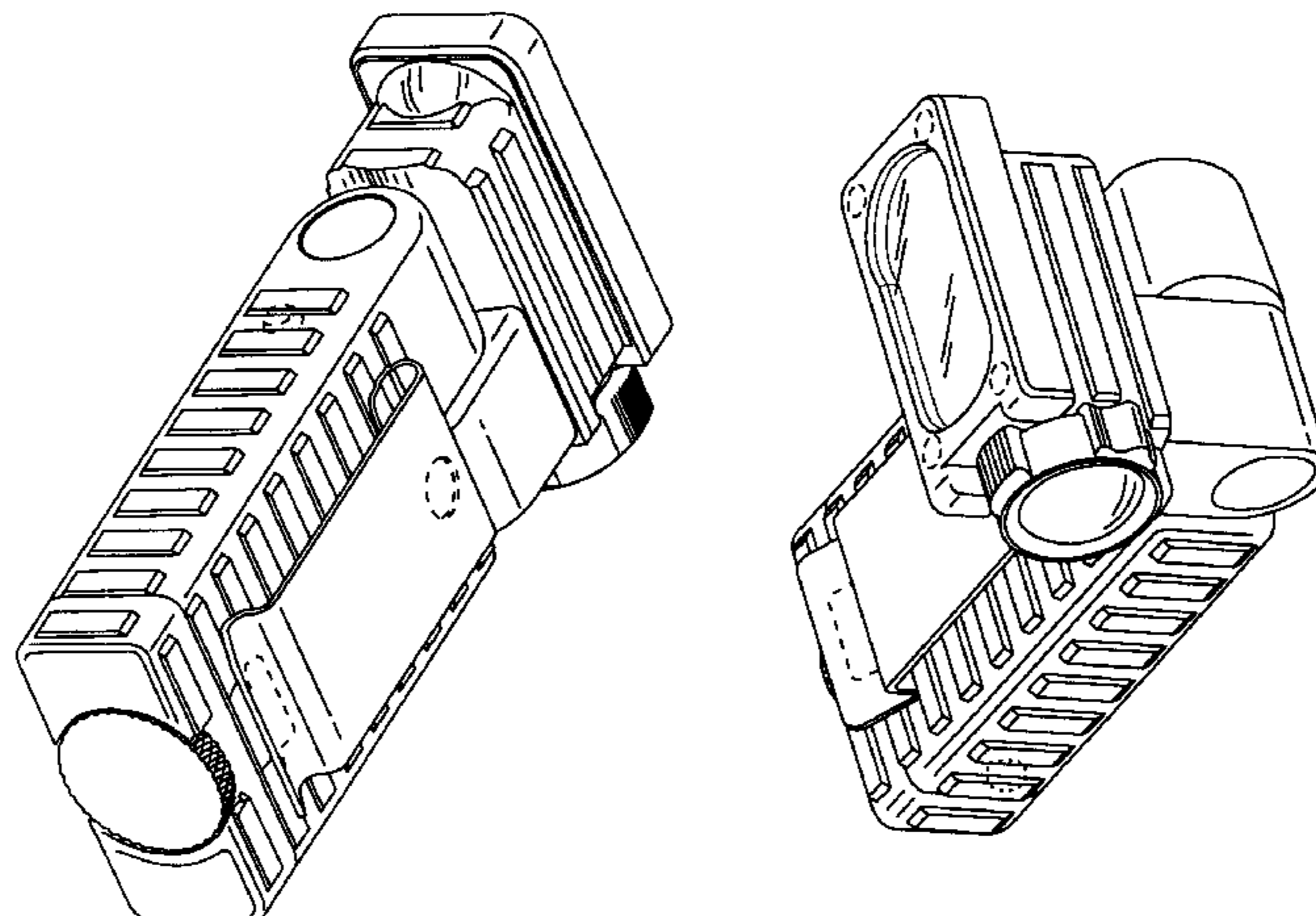
(74) *Attorney, Agent, or Firm*—Clement A. Berard; Dann, Dorfman, Herrell & Skillman

(57) **CLAIM**

The ornamental design for a portable light, substantially as shown and described.

DESCRIPTION

FIG. 1 is a first isometric view of an first embodiment of an



ornamental design for a portable light;

FIG. 2 is a second isometric view of the first embodiment of an ornamental design for a portable light as shown in FIG. 1;

FIG. 3 is a third isometric view of the first embodiment of an ornamental design for a portable light as shown in FIGS. 1 and 2;

FIG. 4 is a view of one end of the first embodiment of an ornamental design for a portable light as shown in FIGS. 1, 2 and 3;

FIG. 5 is a first isometric view illustrating a first position in a range of positions of a part of the first embodiment of an ornamental design for a portable light as shown in FIGS. 1, 2, 3 and 4; and

FIG. 6 is an isometric view illustrating a second position in a range of positions of a part of the first embodiment of an ornamental design for a portable light as shown in FIGS. 1, 2, 3, 4 and 5.

FIG. 7 is a first isometric view of an second embodiment of an ornamental design for a portable light;

FIG. 8 is a second isometric view of the second embodiment of an ornamental design for a portable light as shown in FIG. 7;

FIG. 9 is a third isometric view of the second embodiment of an ornamental design for a portable light as shown in FIGS. 7 and 8;

FIG. 10 is a view of one end of the second embodiment of an ornamental design for a portable light as shown in FIGS. 7, 8 and 9;

FIG. 11 is an isometric view illustrating a first position in a range of positions of a part of the second embodiment of an ornamental design for a portable light as shown in FIGS. 7, 8, 9 and 10; and

FIG. 12 is an isometric view illustrating a second position in a range of positions of a part of the second embodiment of an ornamental design for a portable light as shown in FIGS. 7, 8, 9, 10 and 11.

FIG. 13 is a first isometric view of the third embodiment of an ornamental design for a portable light;

FIG. 14 is a second isometric view of the third embodiment of an ornamental design for a portable light as shown in FIG. 13;

FIG. 15 is a third isometric view of the third embodiment of an ornamental design for a portable light as shown in FIGS. 13 and 14;

FIG. 16 is a view of one end of the third embodiment of an ornamental design for a portable light as shown in FIGS. 13, 14 and 15;

FIG. 17 is an isometric view illustrating a first position in a range of positions of a part of the third embodiment of an ornamental design for a portable light as shown in FIGS. 13, 14, 15 and 16; and,

FIG. 18 is an isometric view illustrating a second position in a range of positions of a part of the third embodiment of an ornamental design for a portable light as shown in FIGS. 13, 14, 15, 16 and 17.

Broken lines in the illustrations of the FIGURES of the drawing indicate parts of the article that are not part of the design claimed therein.

1 Claim, 8 Drawing Sheets

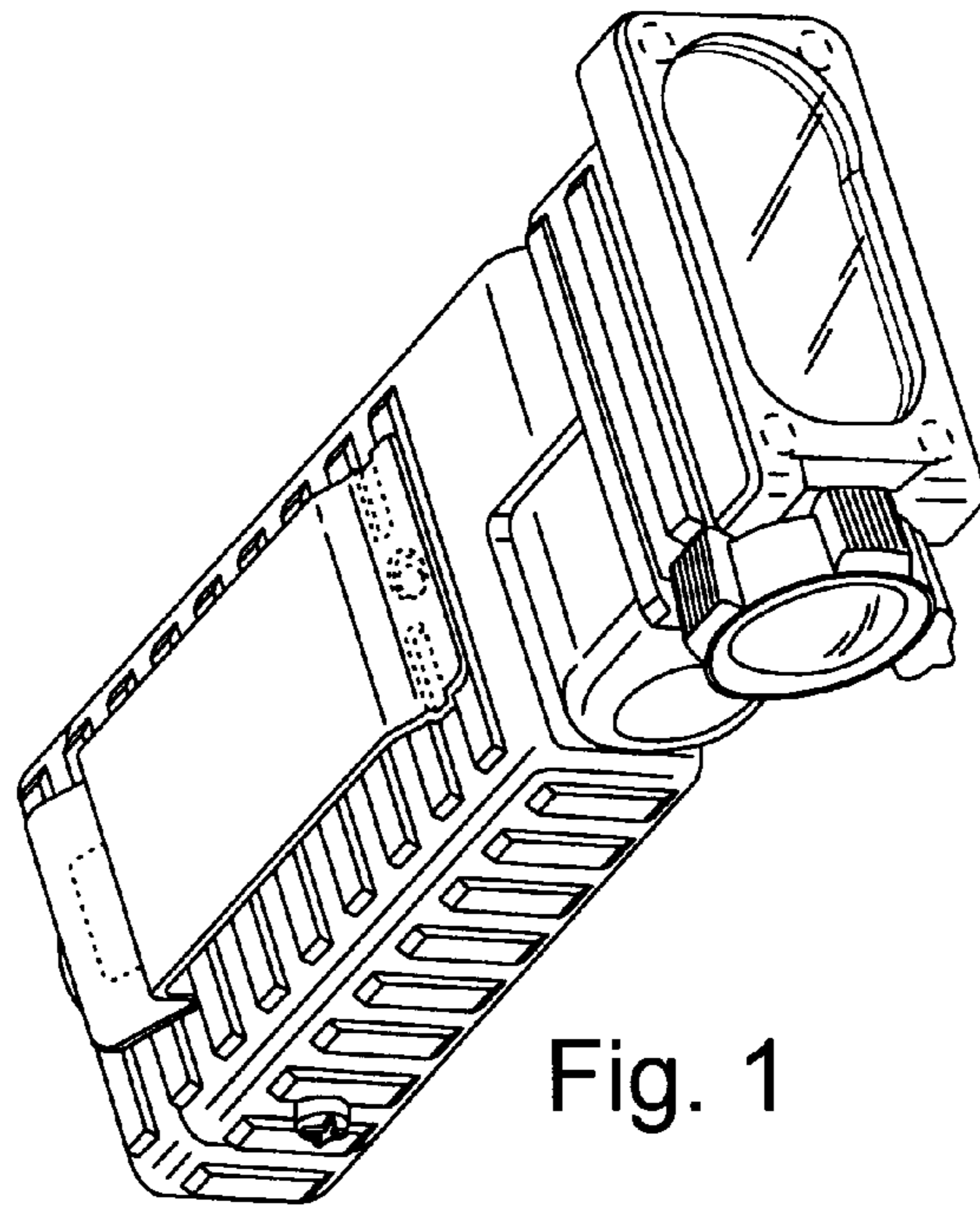


Fig. 1

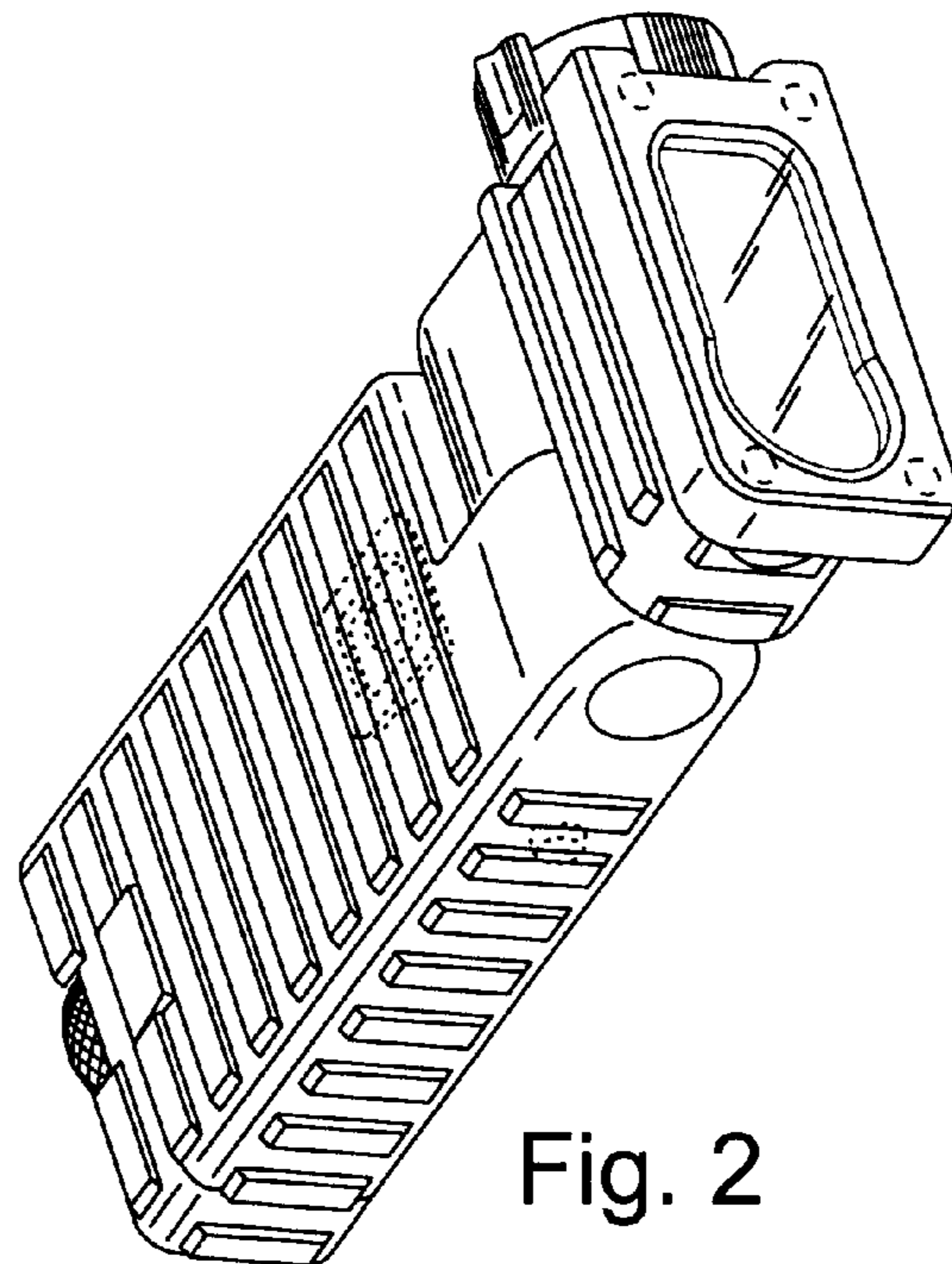


Fig. 2

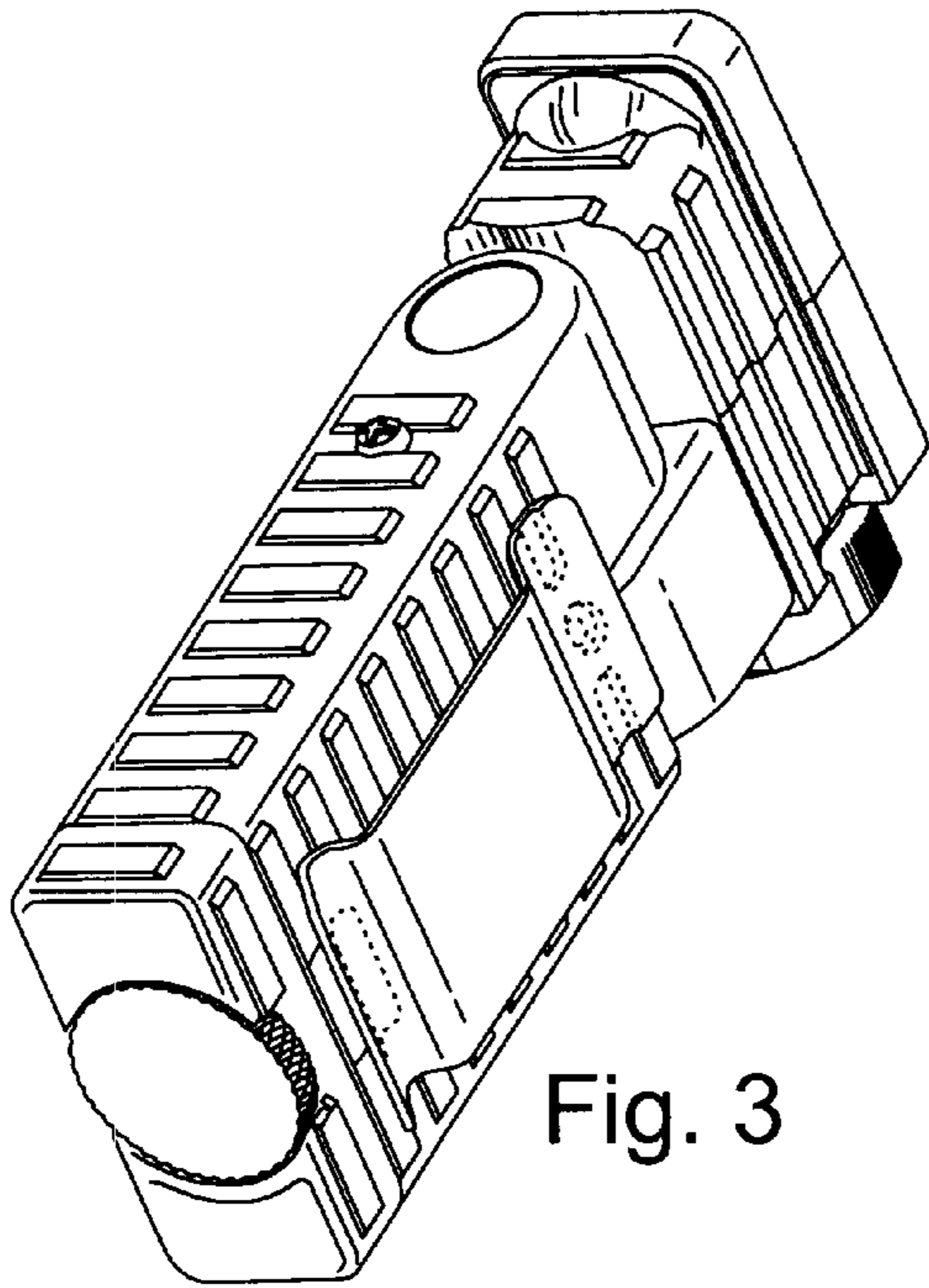


Fig. 3

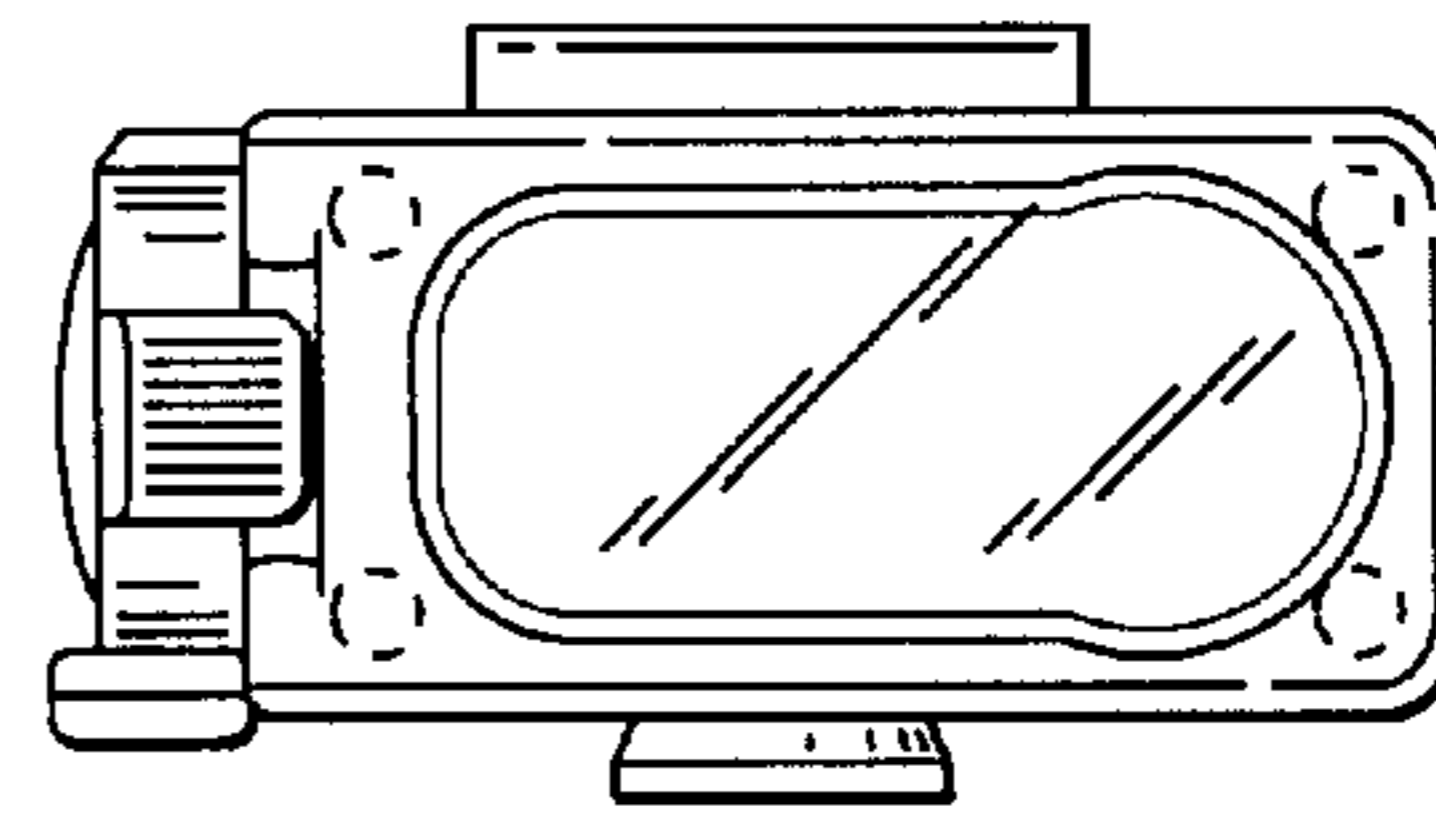


Fig. 4

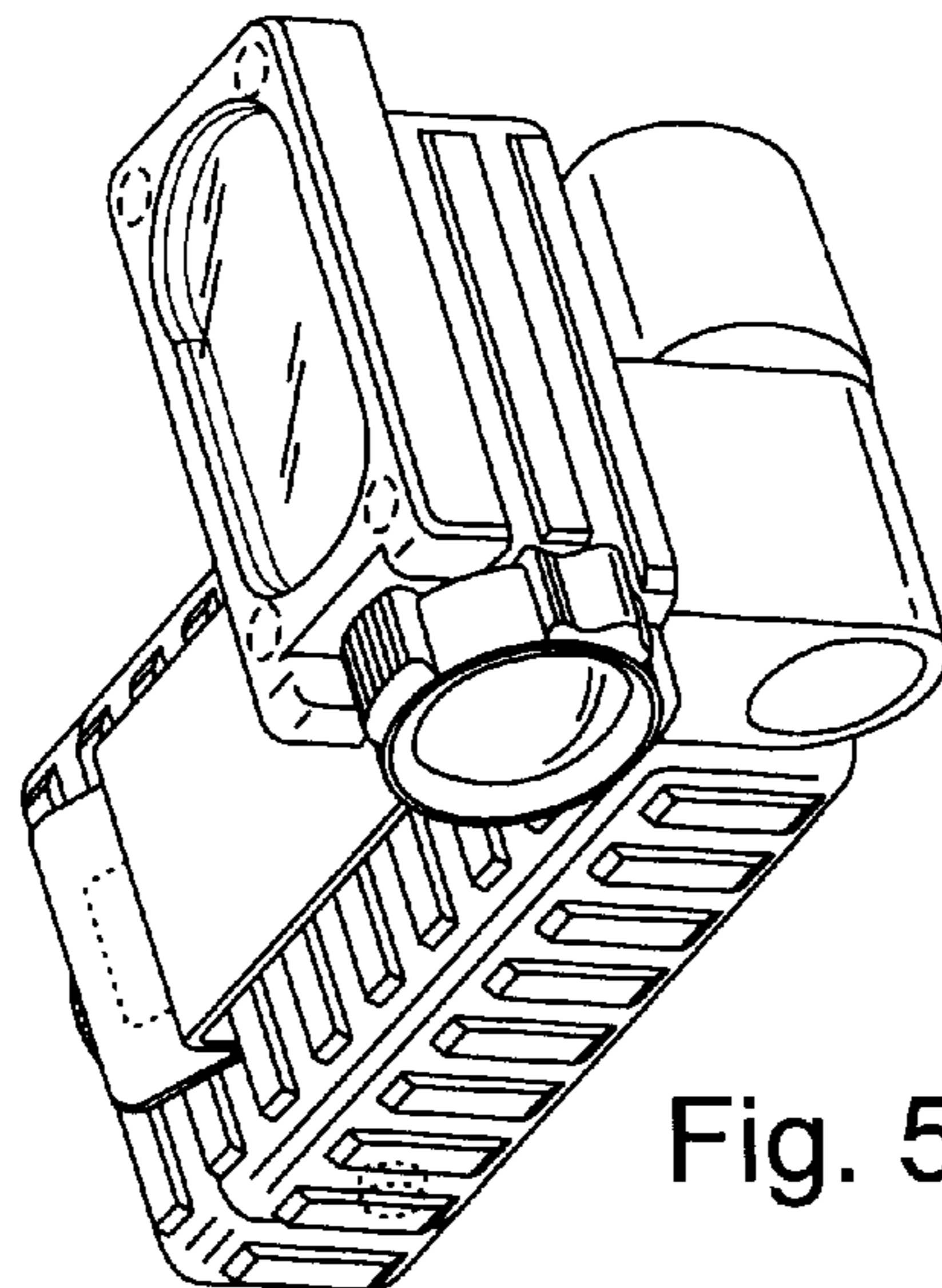


Fig. 5

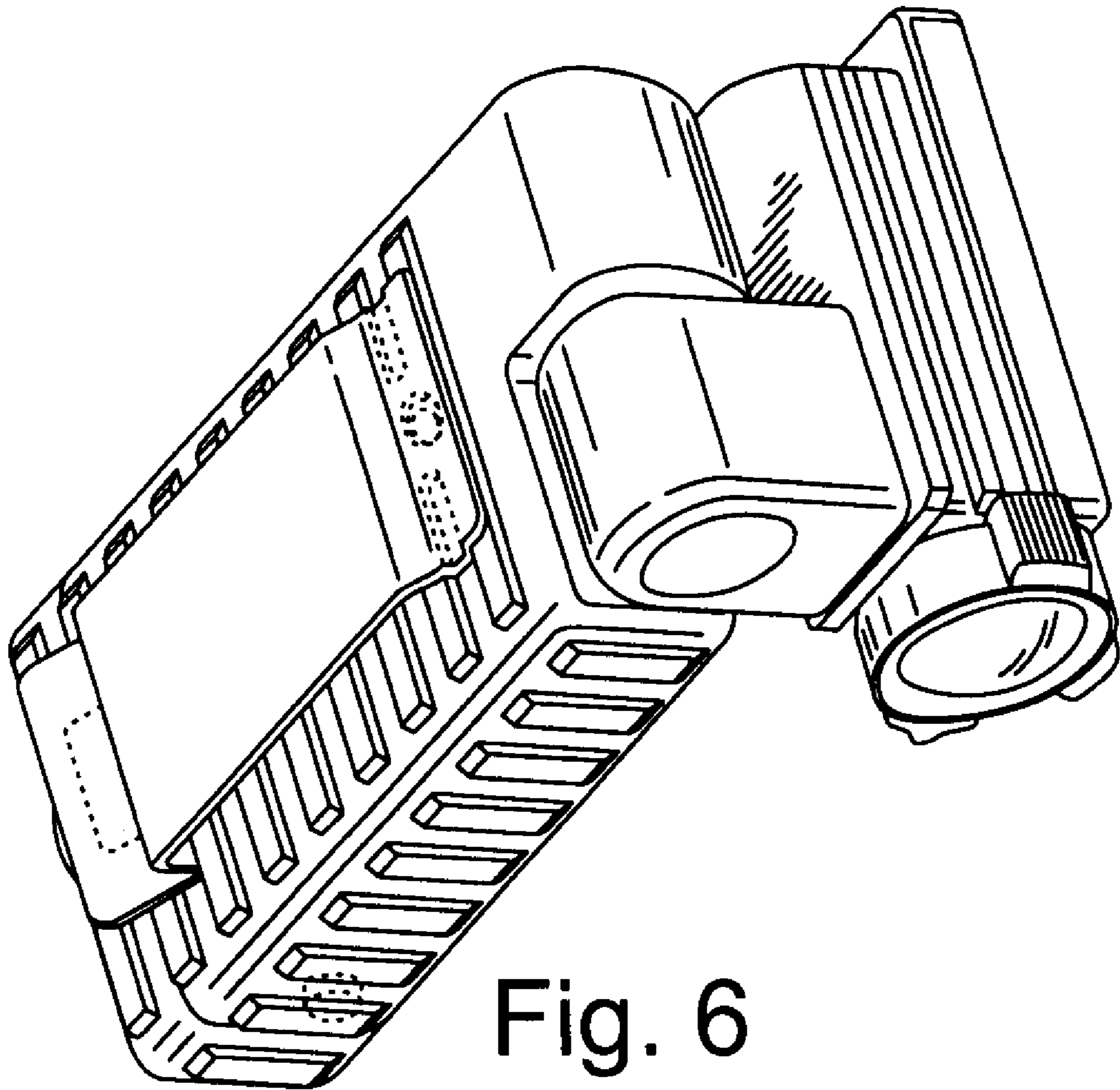


Fig. 6

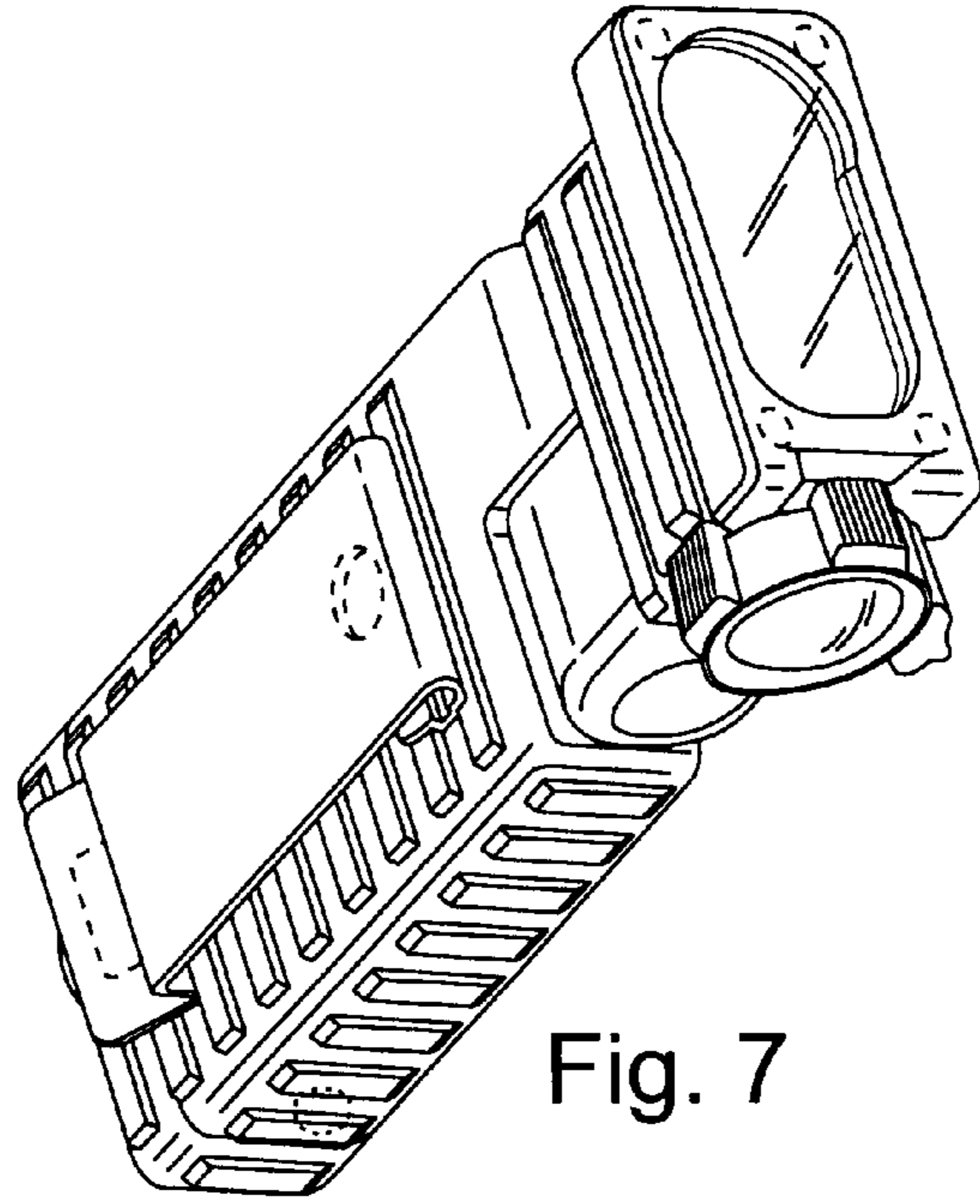


Fig. 7

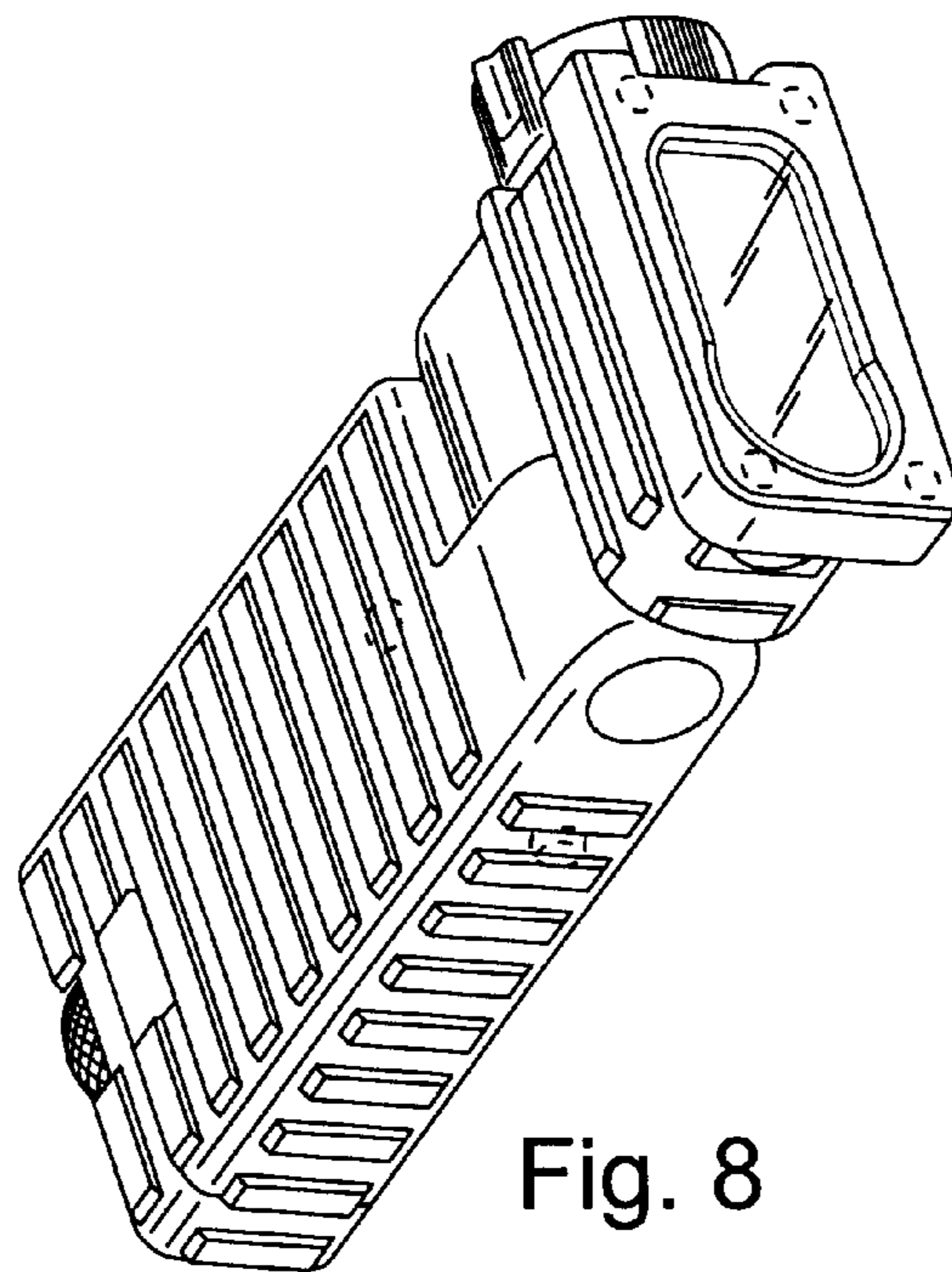


Fig. 8

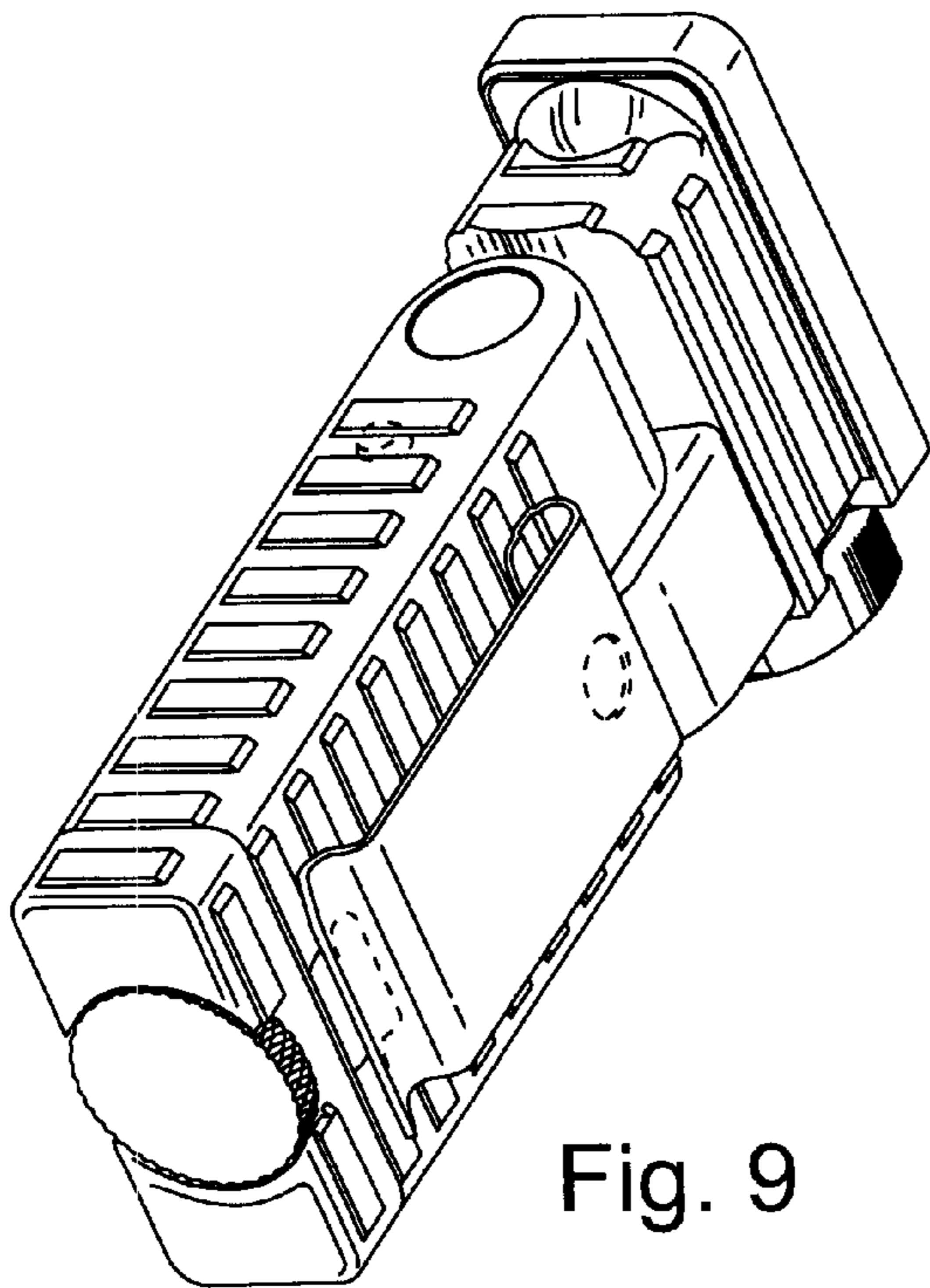


Fig. 9

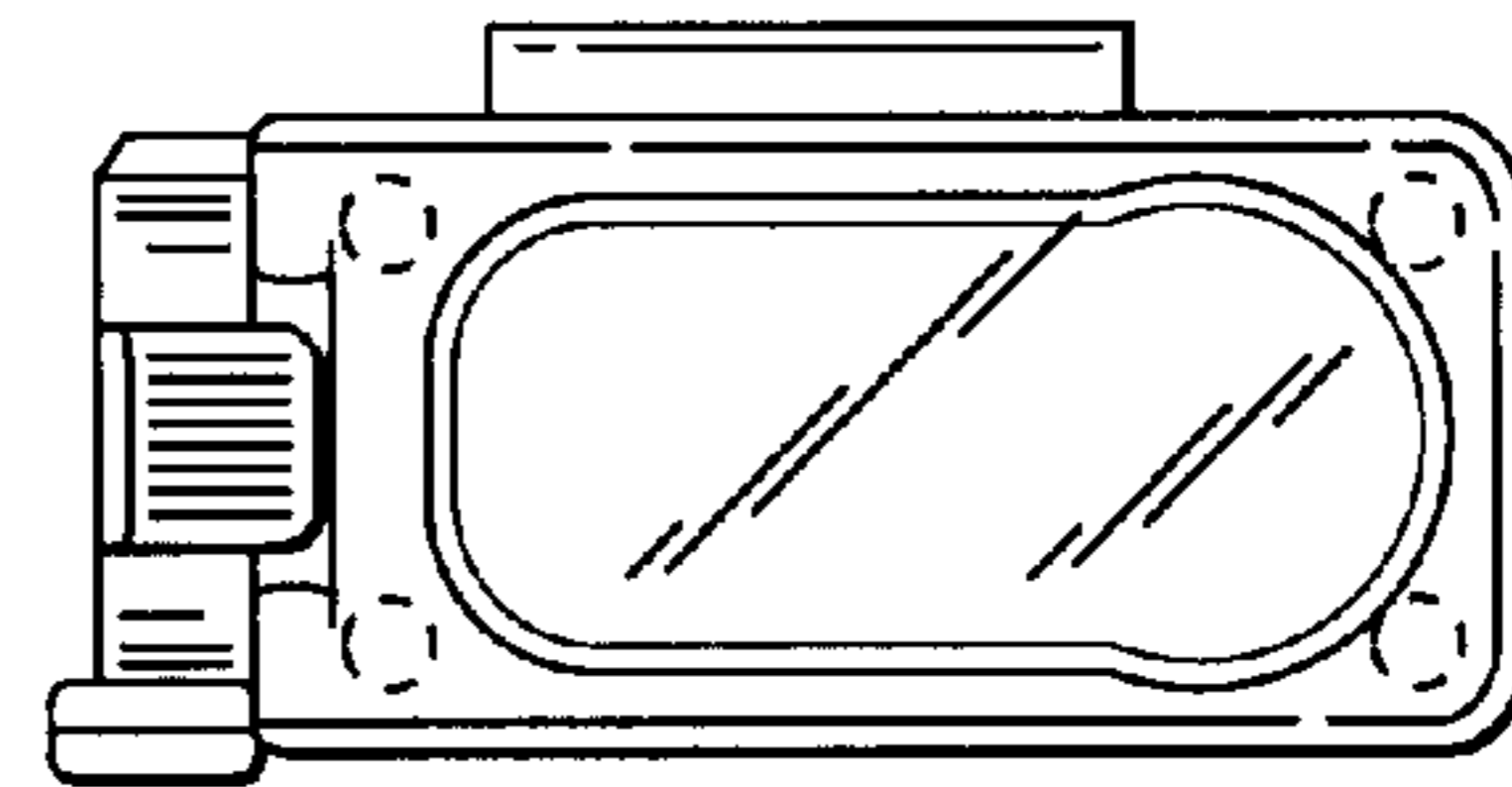


Fig. 10

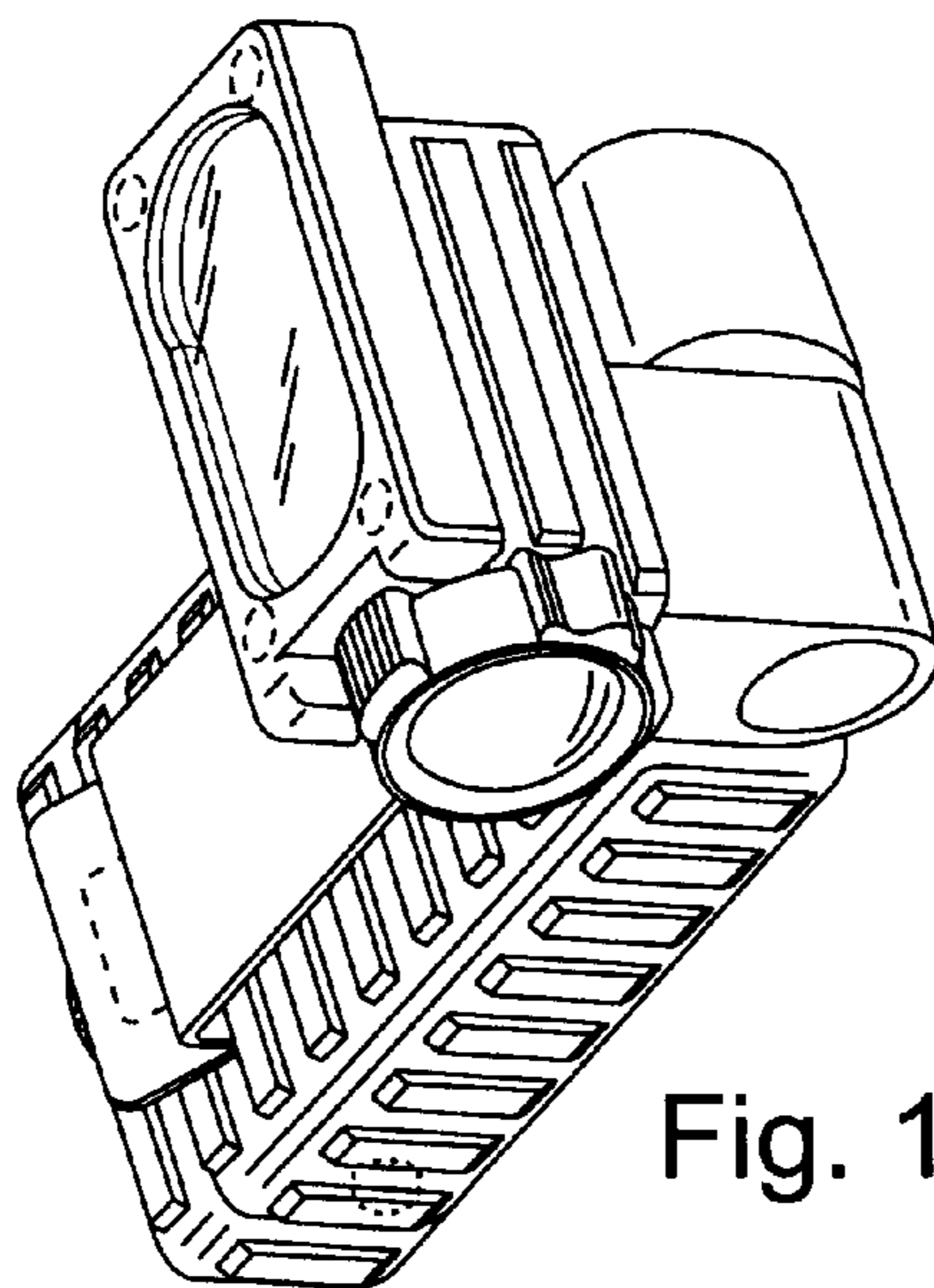


Fig. 11

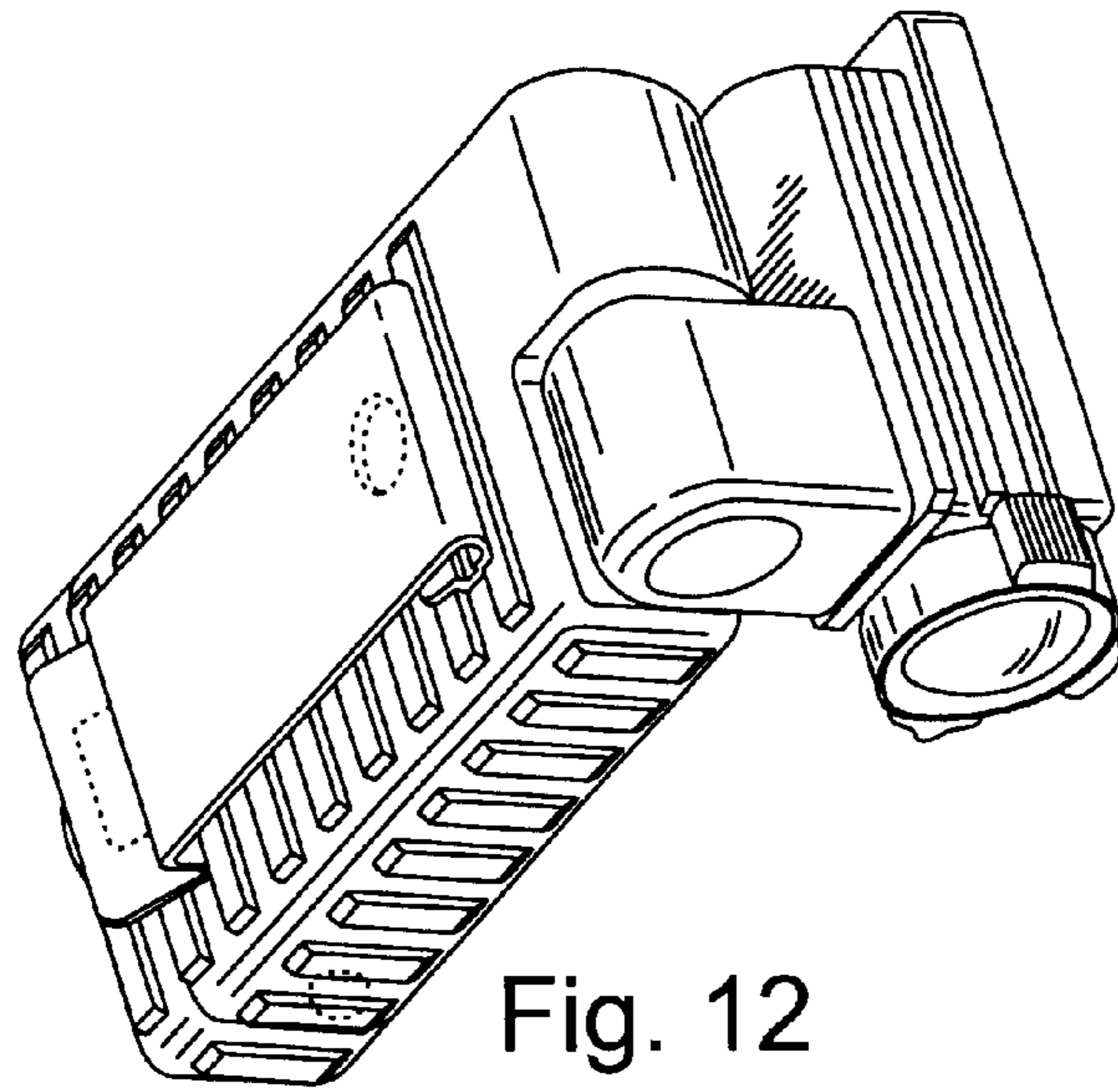


Fig. 12

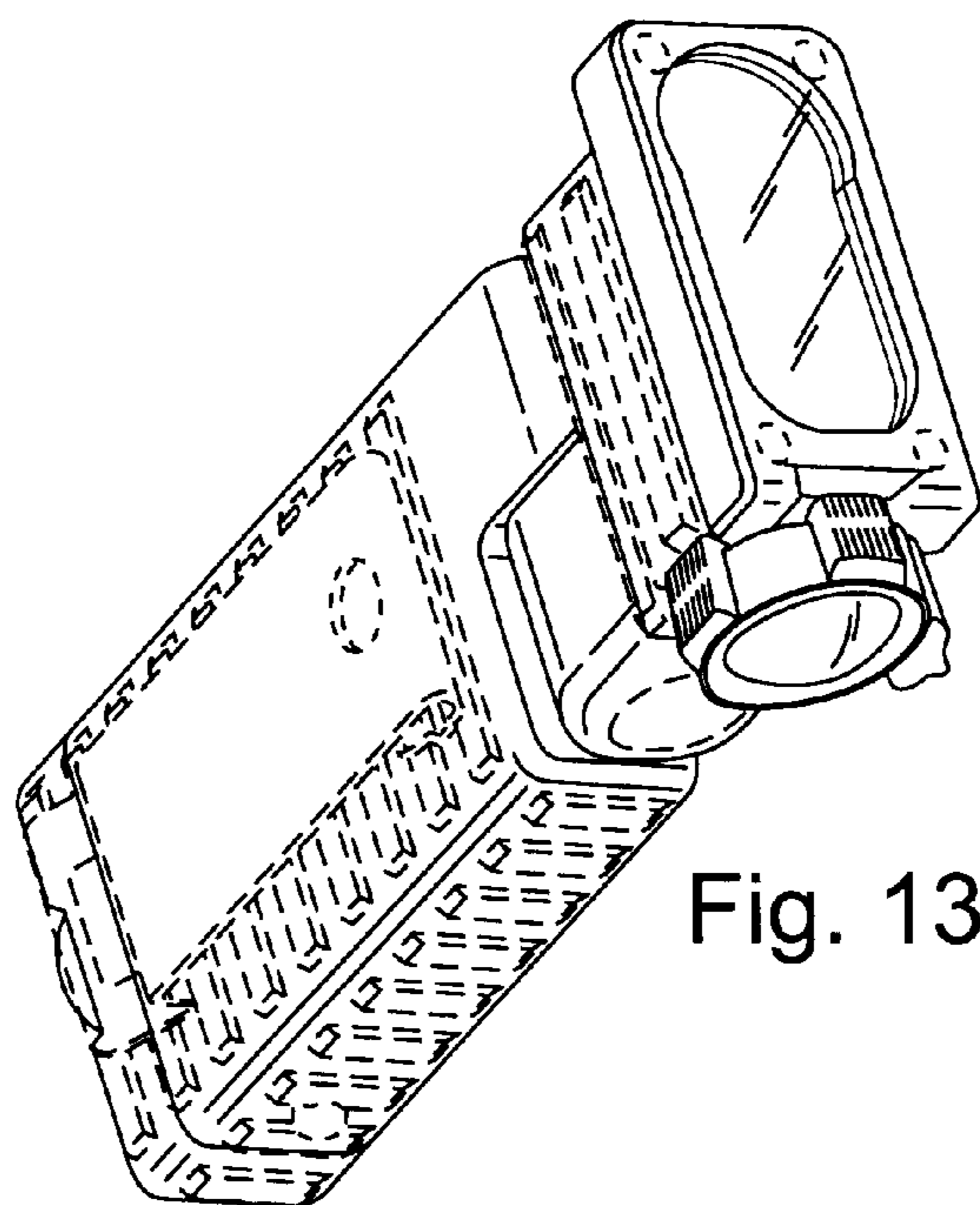


Fig. 13

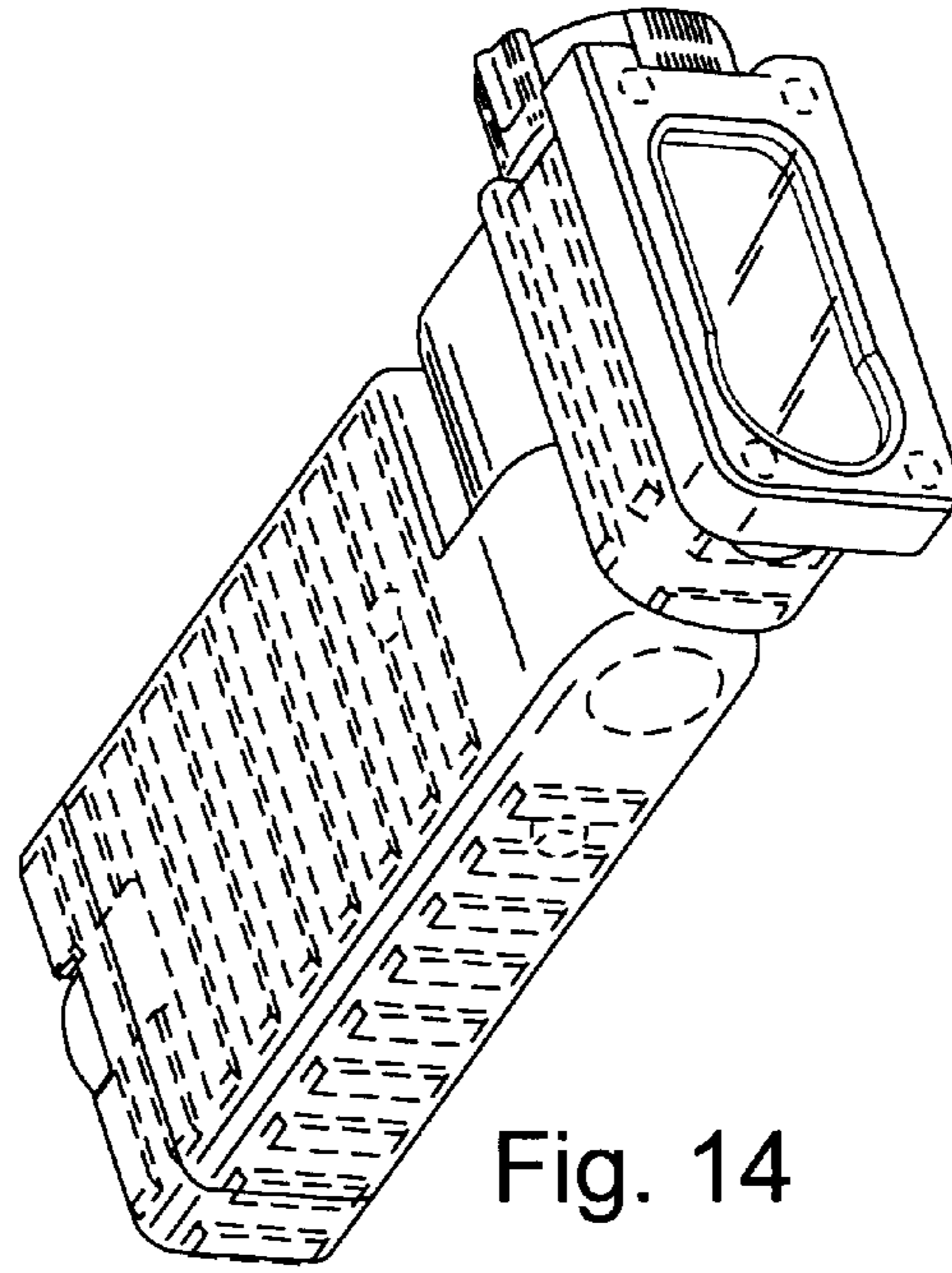


Fig. 14

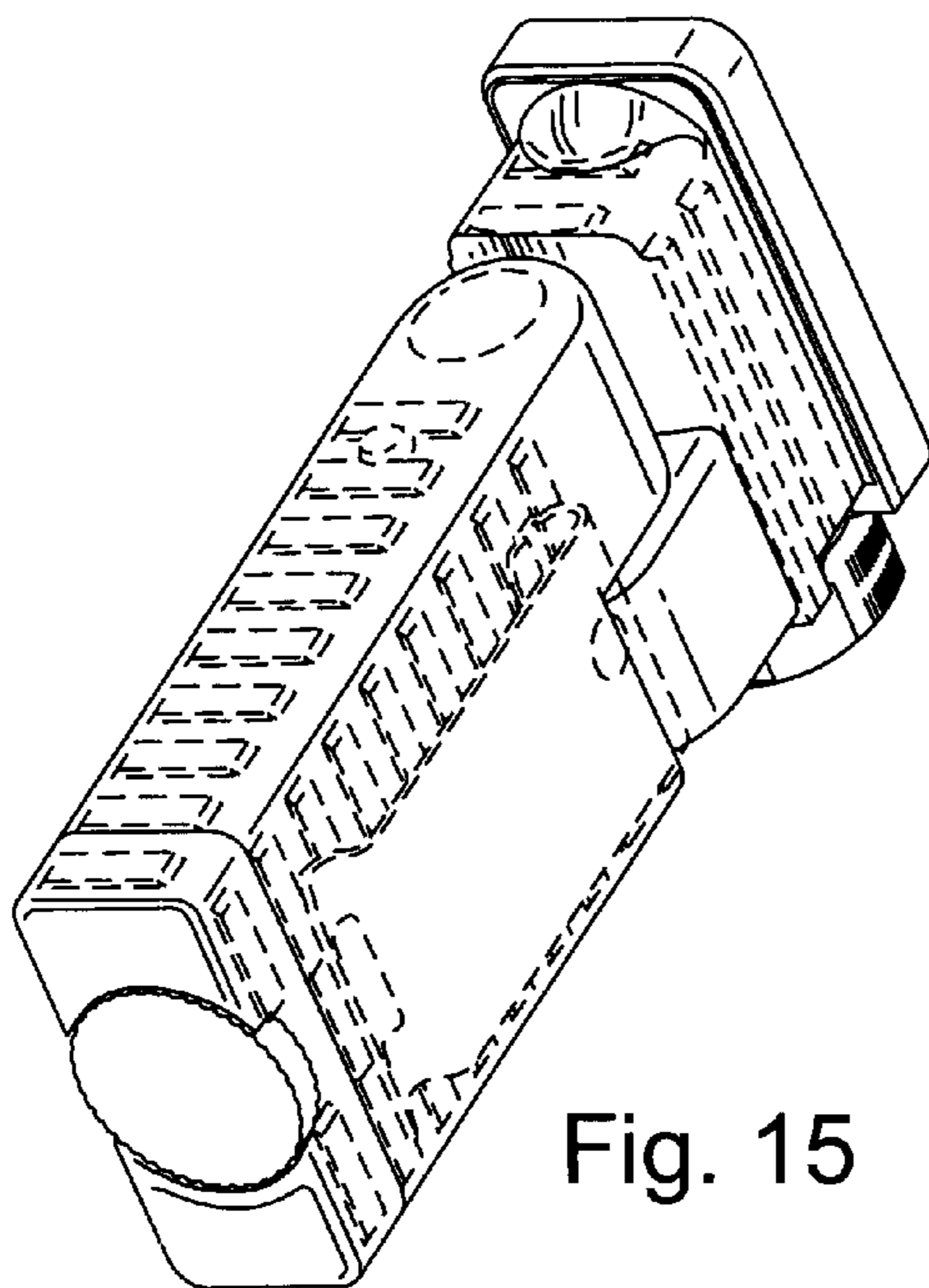


Fig. 15

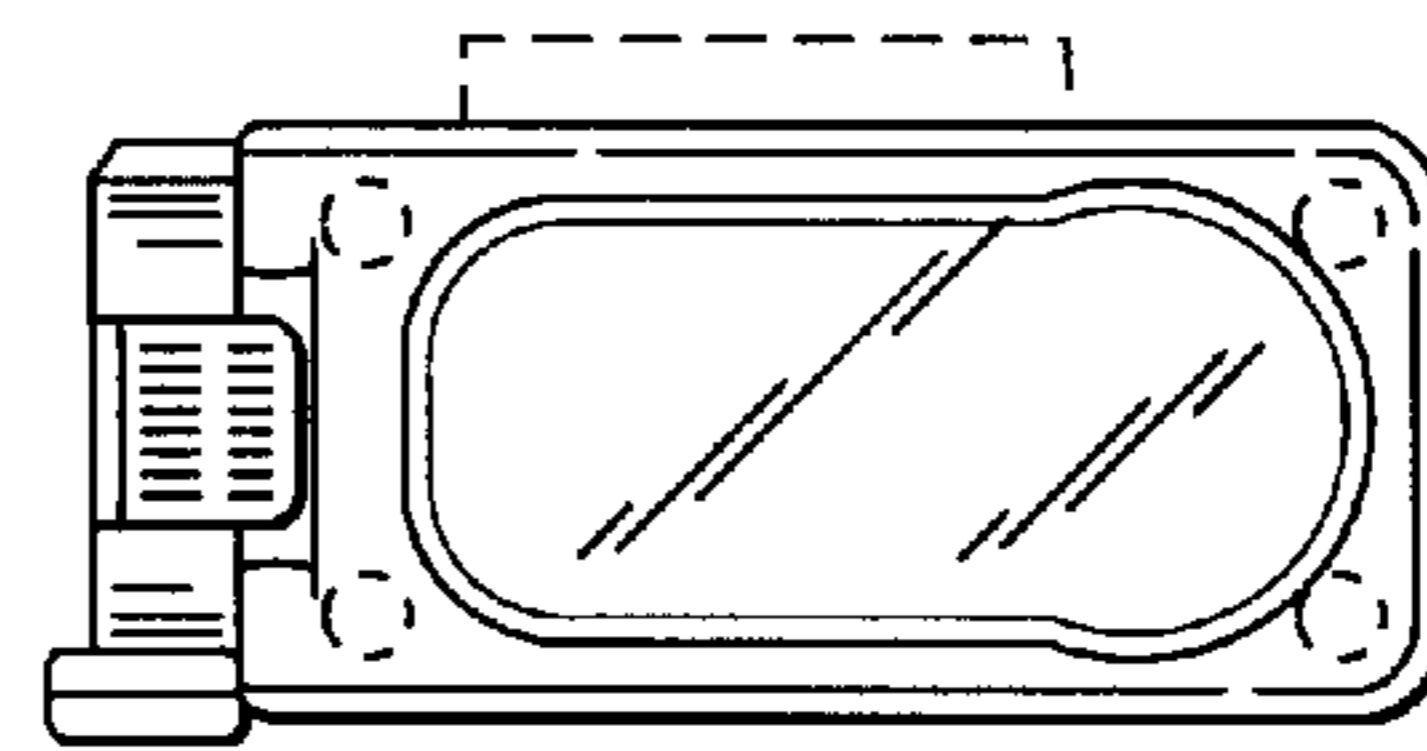


Fig. 16

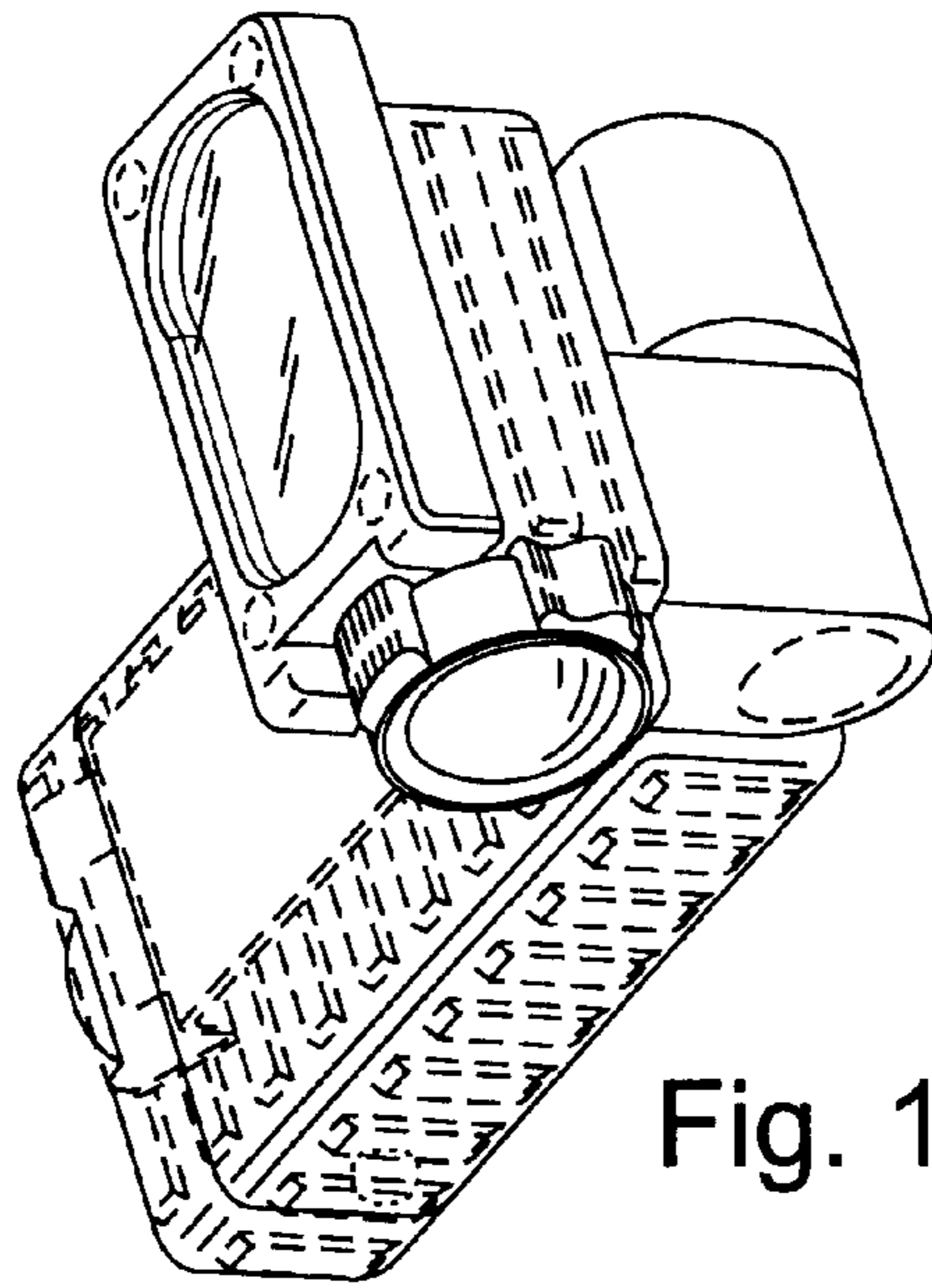


Fig. 17

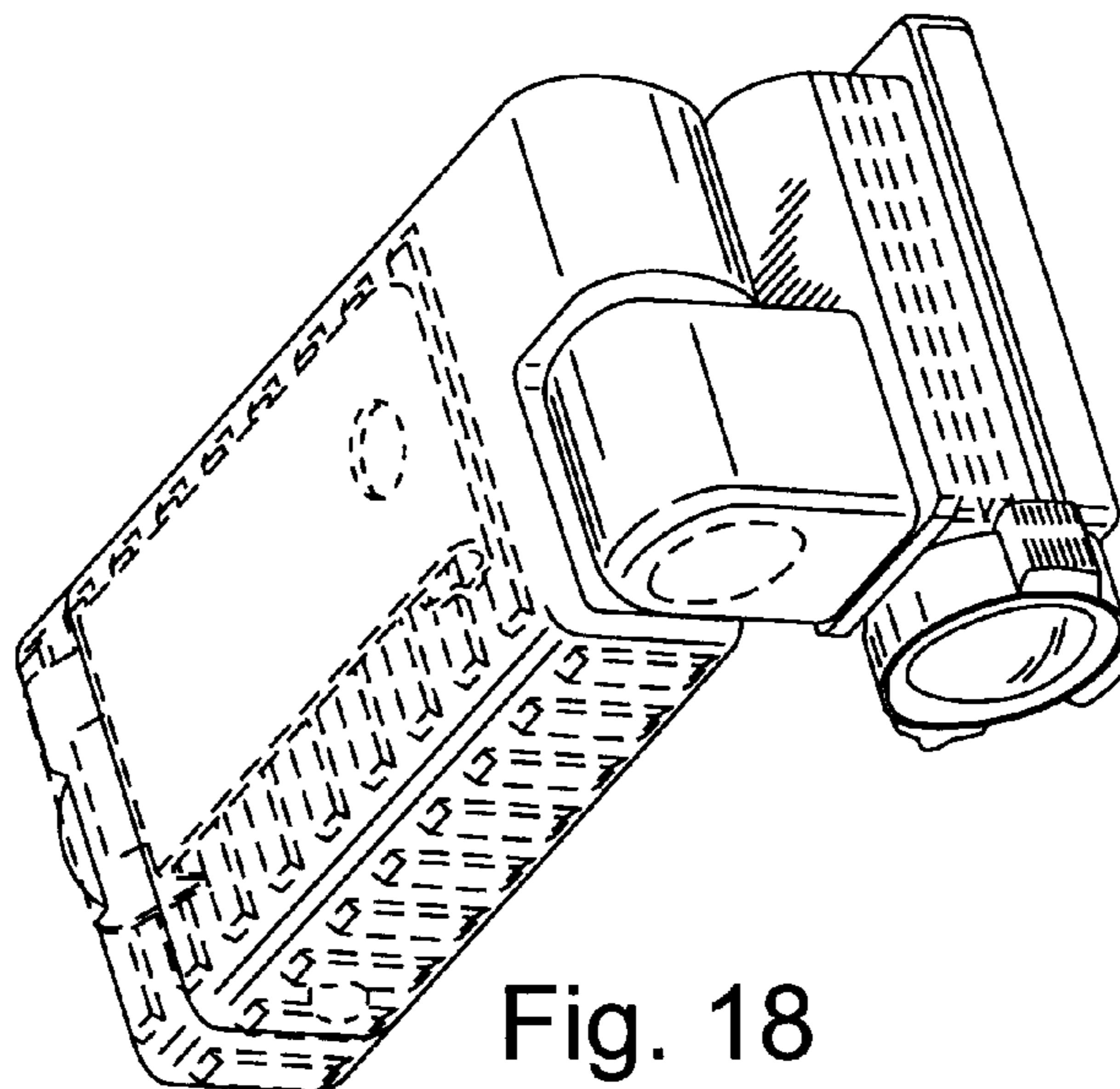


Fig. 18