



US00D549377S

(12) **United States Design Patent** (10) **Patent No.:** **US D549,377 S**  
**Osiecki et al.** (45) **Date of Patent:** **\*\* Aug. 21, 2007**

(54) **FLASHLIGHT**

(75) Inventors: **Scott W. Osiecki**, Skaneateles, NY (US); **Peter C. Castellucci**, Syracuse, NY (US); **Todd B. Abernethy**, Syracuse, NY (US)

(73) Assignee: **Eveready Battery Company, Inc.**, St. Louis, MO (US)

(\*\*) Term: **14 Years**

(21) Appl. No.: **29/266,723**

(22) Filed: **Sep. 27, 2006**

(51) **LOC (8) Cl.** ..... **26-02**

(52) **U.S. Cl.** ..... **D26/49**

(58) **Field of Classification Search** ..... D26/37, D26/40, 42, 46, 48, 49, 50; 362/157, 158, 362/171-174, 183, 184, 187, 190, 196, 199, 362/202, 203, 204, 205, 206, 208  
See application file for complete search history.

(56) **References Cited**

**U.S. PATENT DOCUMENTS**

D467,022 S *	12/2002	Fritz	.....	D26/49
D493,240 S *	7/2004	To	.....	D26/49
D494,299 S *	8/2004	Dalton et al.	.....	D26/49
D495,077 S *	8/2004	Chau	.....	D26/49
D496,116 S *	9/2004	Abernethy et al.	.....	D26/49
D498,865 S *	11/2004	Mah	.....	D26/49

D507,064 S *	7/2005	Osiecki et al.	.....	D26/37
D529,643 S *	10/2006	Kung	.....	D26/37
2006/0238997 A1 *	10/2006	Yuen	.....	362/183

\* cited by examiner

*Primary Examiner*—Charles A. Rademaker

*Assistant Examiner*—Carissa C Fitts

(74) *Attorney, Agent, or Firm*—Gregory J. Adams

(57) **CLAIM**

We claim the ornamental design for a flashlight, as shown and described.

**DESCRIPTION**

FIG. 1 is a view showing the left front perspective of the flashlight of the present invention;

FIG. 2 is a top view of the flashlight of the present invention;

FIG. 3 is a bottom view of the flashlight of the present invention;

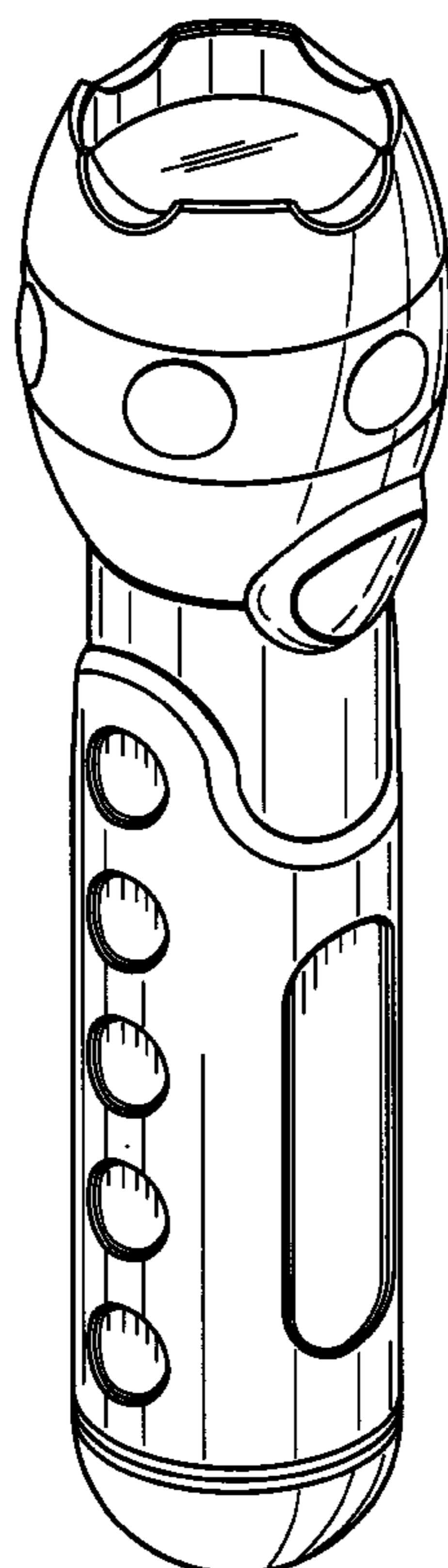
FIG. 4 is a right side view of the flashlight of the present invention;

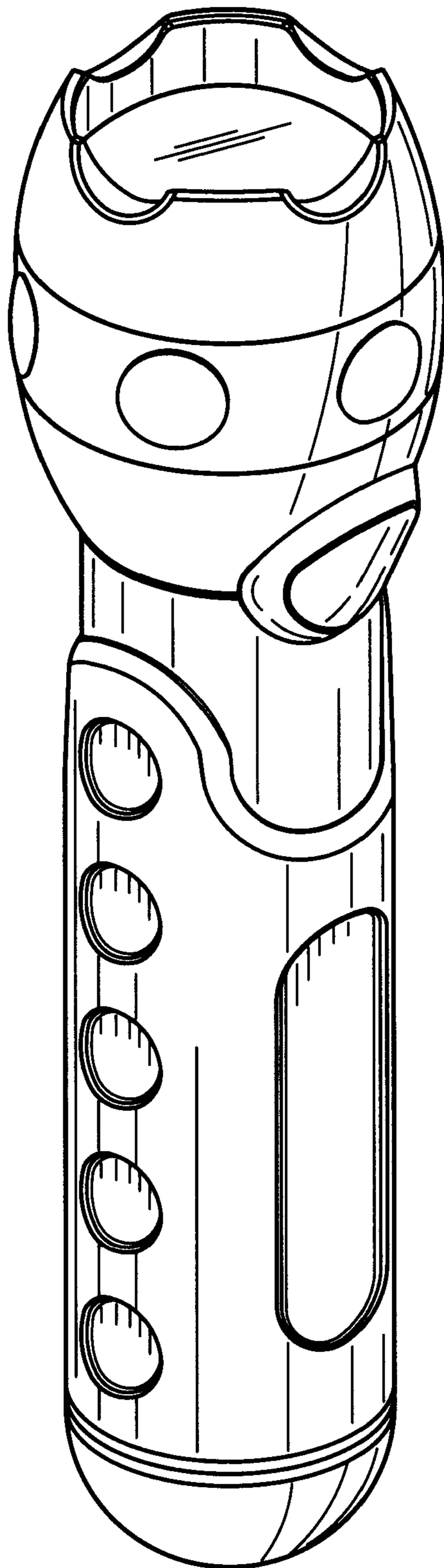
FIG. 5 is a left side view of the flashlight of the present invention;

FIG. 6 is a front view of the flashlight of the present invention; and,

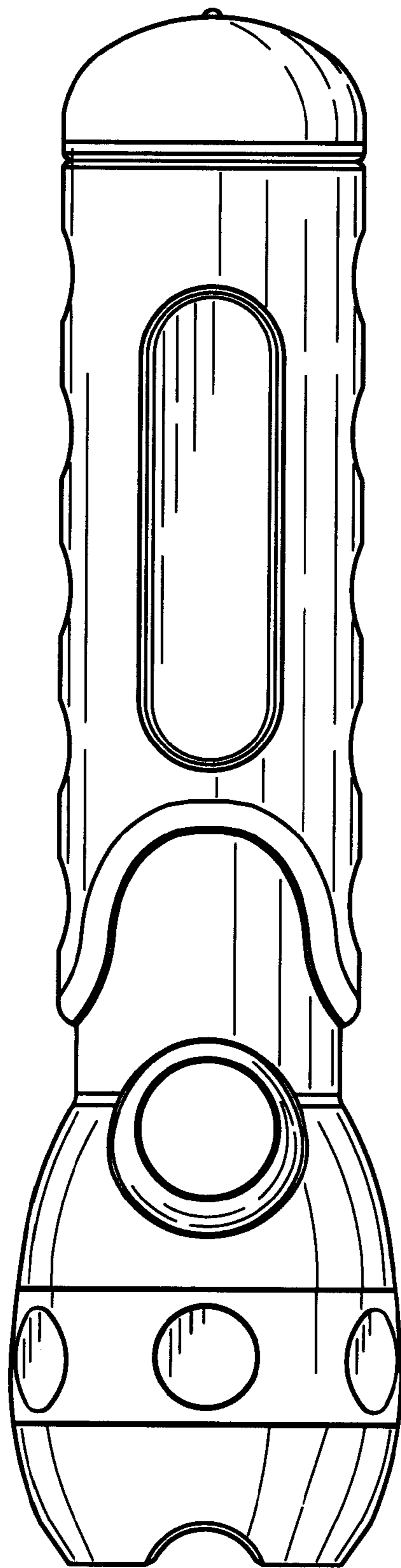
FIG. 7 is a rear view of the flashlight of the present invention.

**1 Claim, 6 Drawing Sheets**

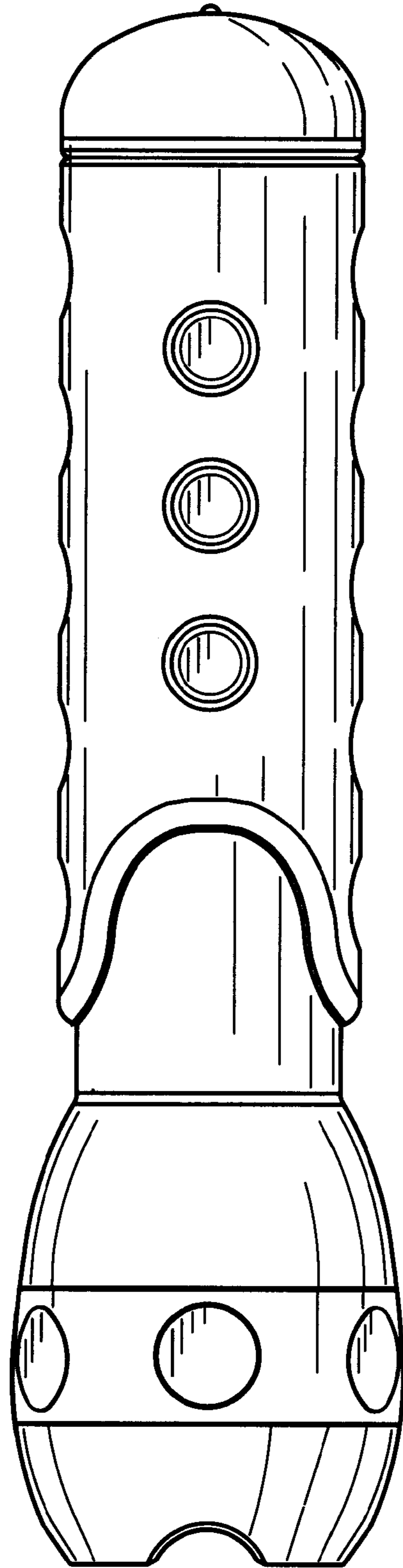




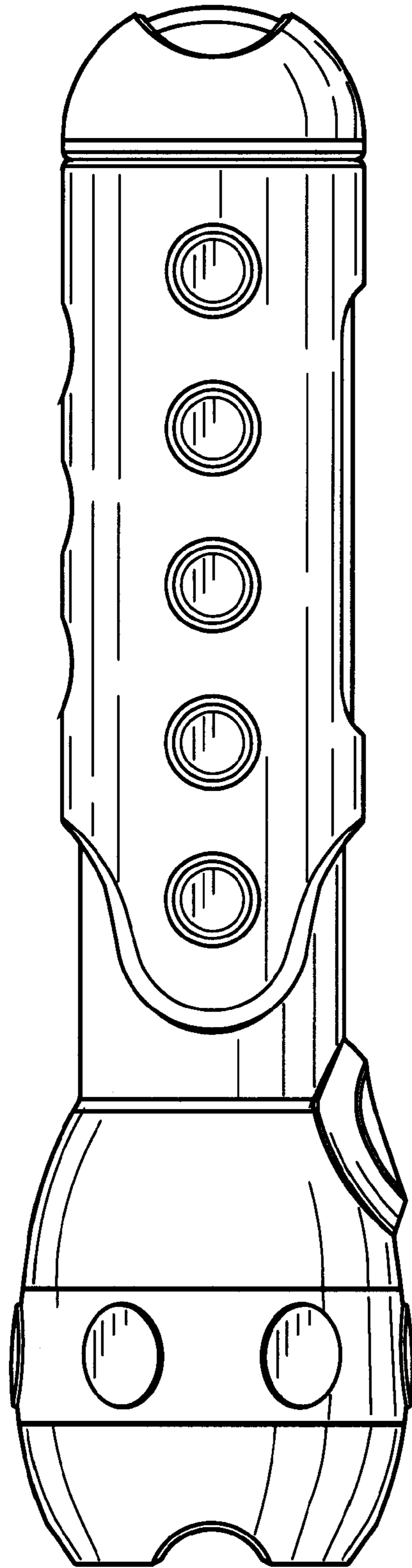
*Fig. 1*



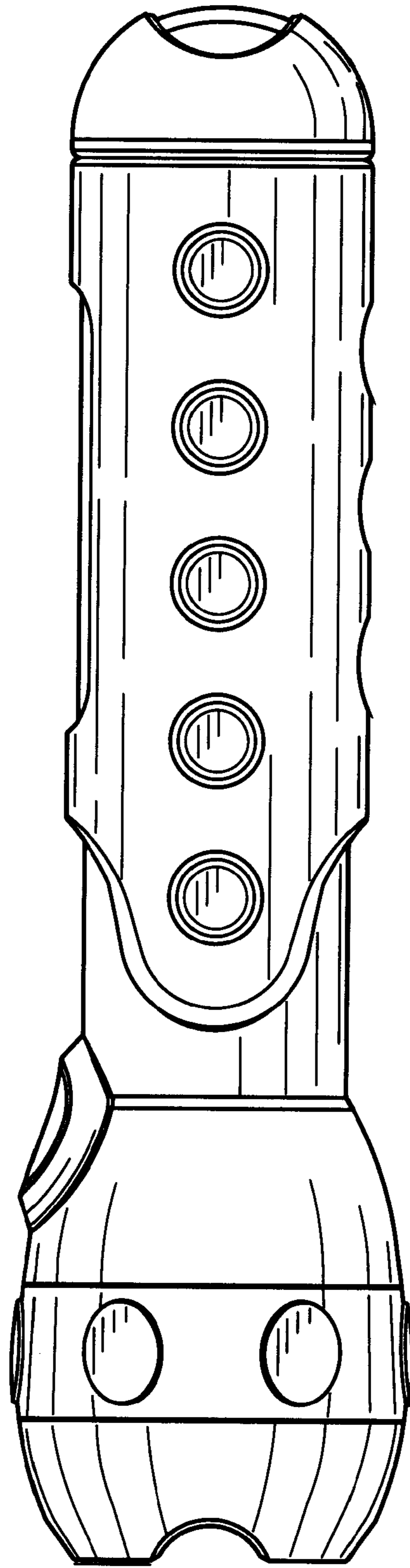
*Fig. 2*



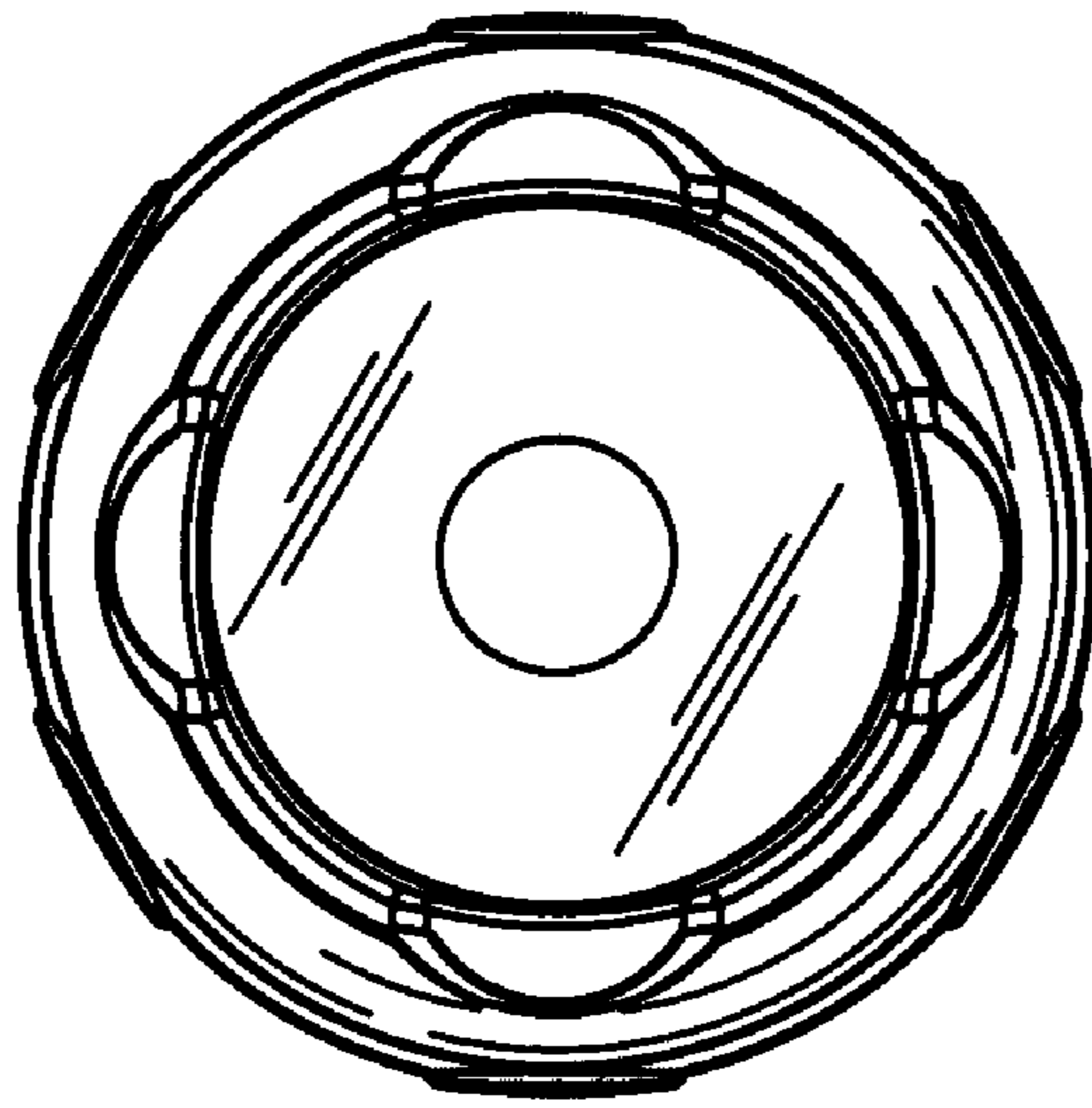
*Fig. 3*



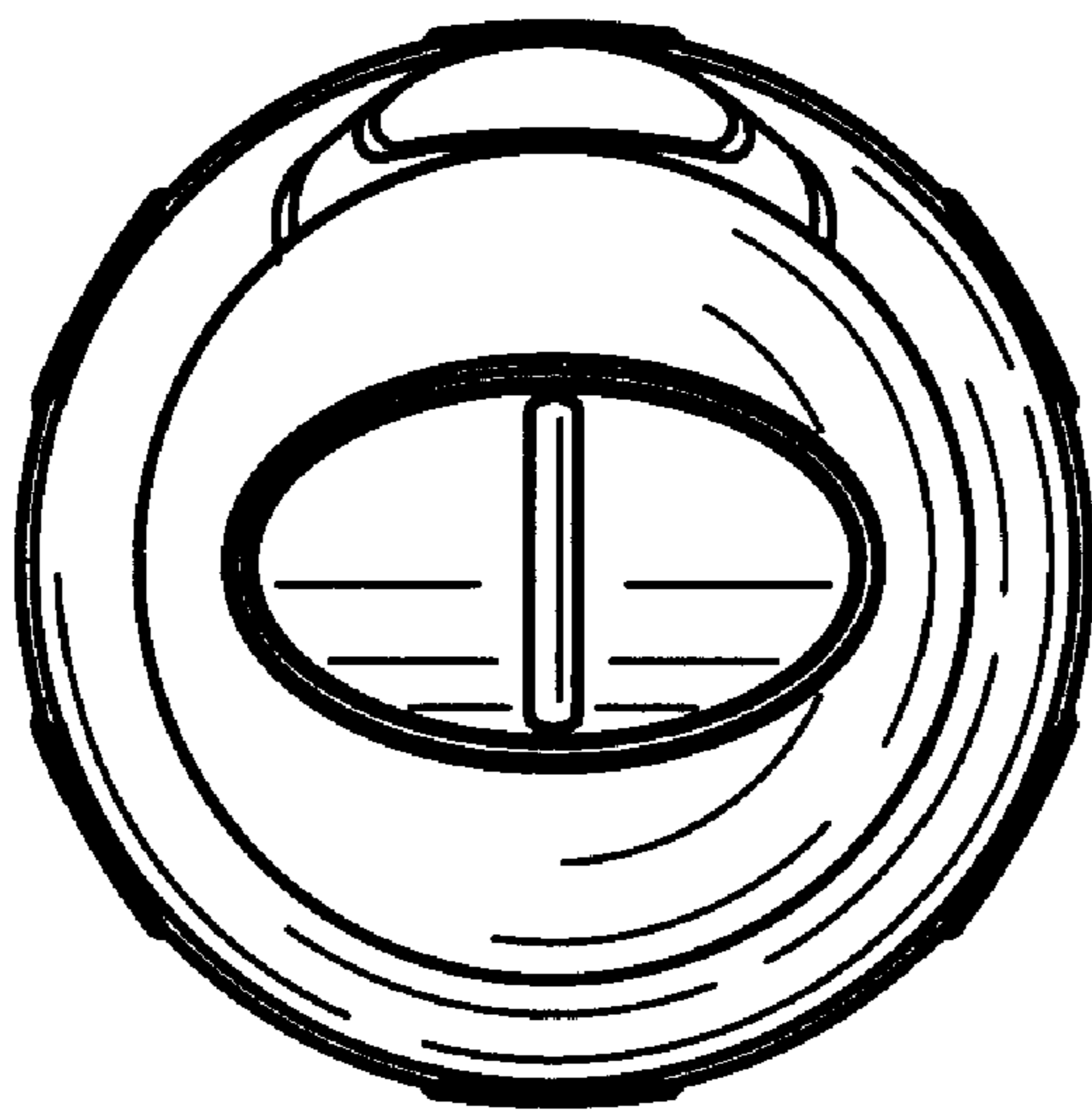
*Fig. 4*



*Fig. 5*



*Fig. 6*



*Fig. 7*