



US00D549375S

(12) **United States Design Patent**
Krieger et al.

(10) **Patent No.:** **US D549,375 S**

(45) **Date of Patent:** **** Aug. 21, 2007**

(54) **SPOTLIGHT**

(75) Inventors: **Michael Krieger**, Miami Beach, FL (US); **Kevin Ellsworth**, Alva, FL (US)

(73) Assignee: **Vector Products, Inc.**, Plantation, FL (US)

(**) Term: **14 Years**

(21) Appl. No.: **29/252,341**

(22) Filed: **Jan. 23, 2006**

Related U.S. Application Data

(63) Continuation of application No. 29/239,898, filed on Oct. 6, 2005, now Pat. No. Des. 532,136, and a continuation of application No. 29/239,902, filed on Oct. 6, 2005, now Pat. No. Des. 532,541.

(51) **LOC (8) Cl.** **26-02**

(52) **U.S. Cl.** **D26/45**

(58) **Field of Classification Search** D26/37, D26/38, 40, 41, 45, 46, 48, 49, 50, 52, 61, D26/67, 63, 93, 119, 133, 134, 118, 120, D26/139, 104; D24/210; 362/572, 573, 362/577, 477, 183, 186, 157, 158, 325, 354, 362/457, 458

See application file for complete search history.

(56) **References Cited**

U.S. PATENT DOCUMENTS

D460,207 S *	7/2002	Krieger et al.	D26/45
D462,133 S *	8/2002	Krieger et al.	D26/45
D462,470 S *	9/2002	Krieger et al.	D26/45
D466,637 S *	12/2002	Gisser	D26/45
D480,166 S *	9/2003	Cheung	D26/45
D481,814 S *	11/2003	Krieger et al.	D26/45
D506,278 S *	6/2005	Dayan	D26/45
D518,214 S *	3/2006	Krieger et al.	D26/45
D525,735 S *	7/2006	Krieger et al.	D26/45

D532,136 S *	11/2006	Krieger et al.	D26/45
D532,541 S *	11/2006	Krieger et al.	D26/45
2003/0223227 A1 *	12/2003	Levine	362/183

* cited by examiner

Primary Examiner—Ian Simmons

Assistant Examiner—Carissa Fitts

(74) *Attorney, Agent, or Firm*—Venable LLP; Robert Kinberg

(57) **CLAIM**

The ornamental design for a spotlight, as shown and described.

DESCRIPTION

FIG. 1 is a perspective view from the front-top-right side of the spotlight showing a first embodiment of our new design;

FIG. 2 is a back view of the design shown in FIG. 1;

FIG. 3 is a left side view of the design shown in FIG. 1;

FIG. 4 is a right side view of the design shown in FIG. 1;

FIG. 5 is a top view of the design shown in FIG. 1;

FIG. 6 is a bottom view of the design shown in FIG. 1;

FIG. 7 is a perspective view from the front-top-right side of the spotlight showing a second embodiment of our new design;

FIG. 8 is a rear view of the design shown in FIG. 7;

FIG. 9 is a left side view of the design shown in FIG. 7;

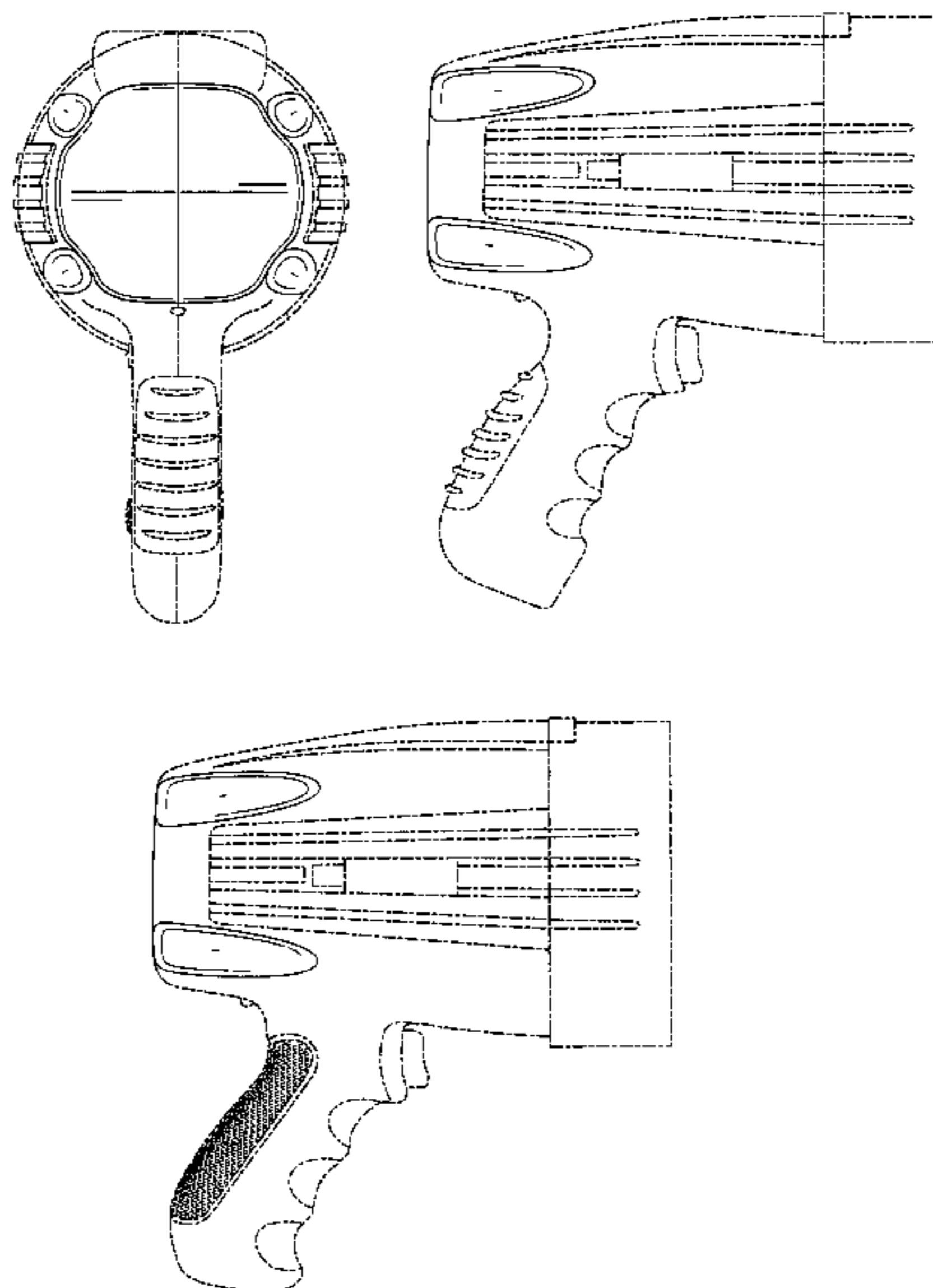
FIG. 10 is a right side view of the design shown in FIG. 7;

FIG. 11 is a top view of the design shown in FIG. 7; and,

FIG. 12 is a bottom view of the design shown in FIG. 7.

The broken lines immediately adjacent the shaded areas represent the bounds of the claimed design while all other broken lines are for illustrative purposes only; the broken lines form no part of the claimed design.

1 Claim, 12 Drawing Sheets



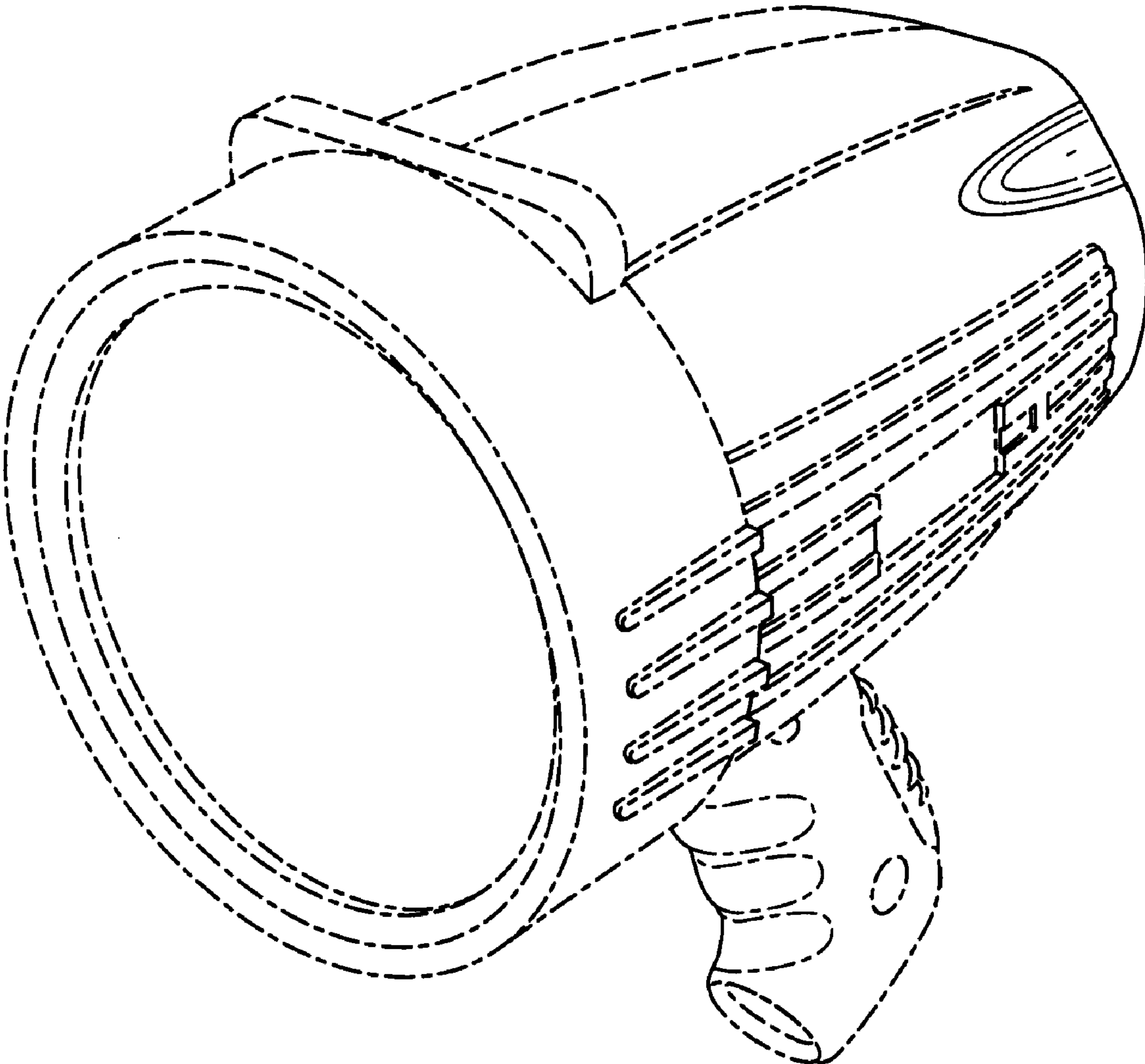


FIG. 1

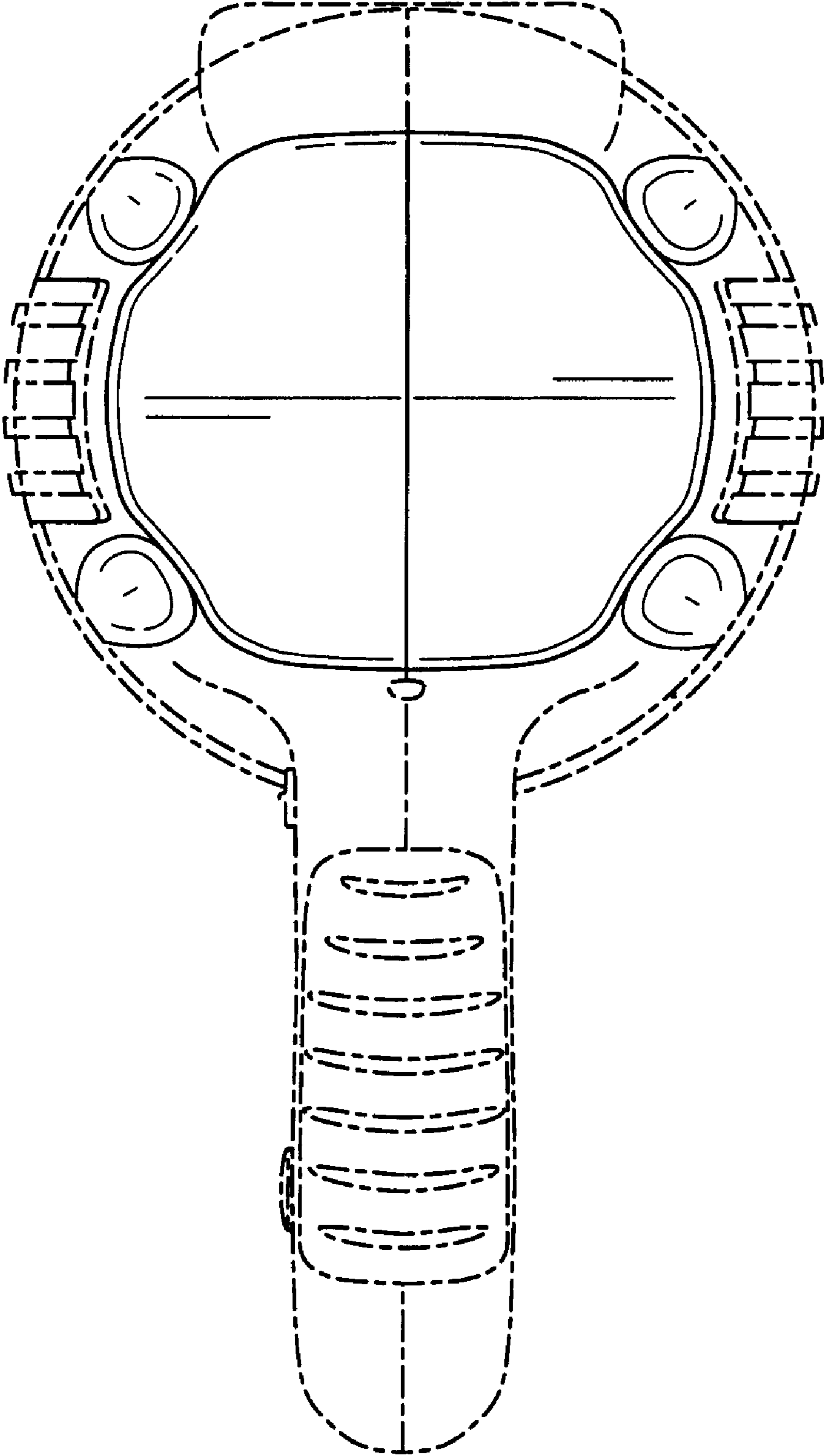


FIG. 2

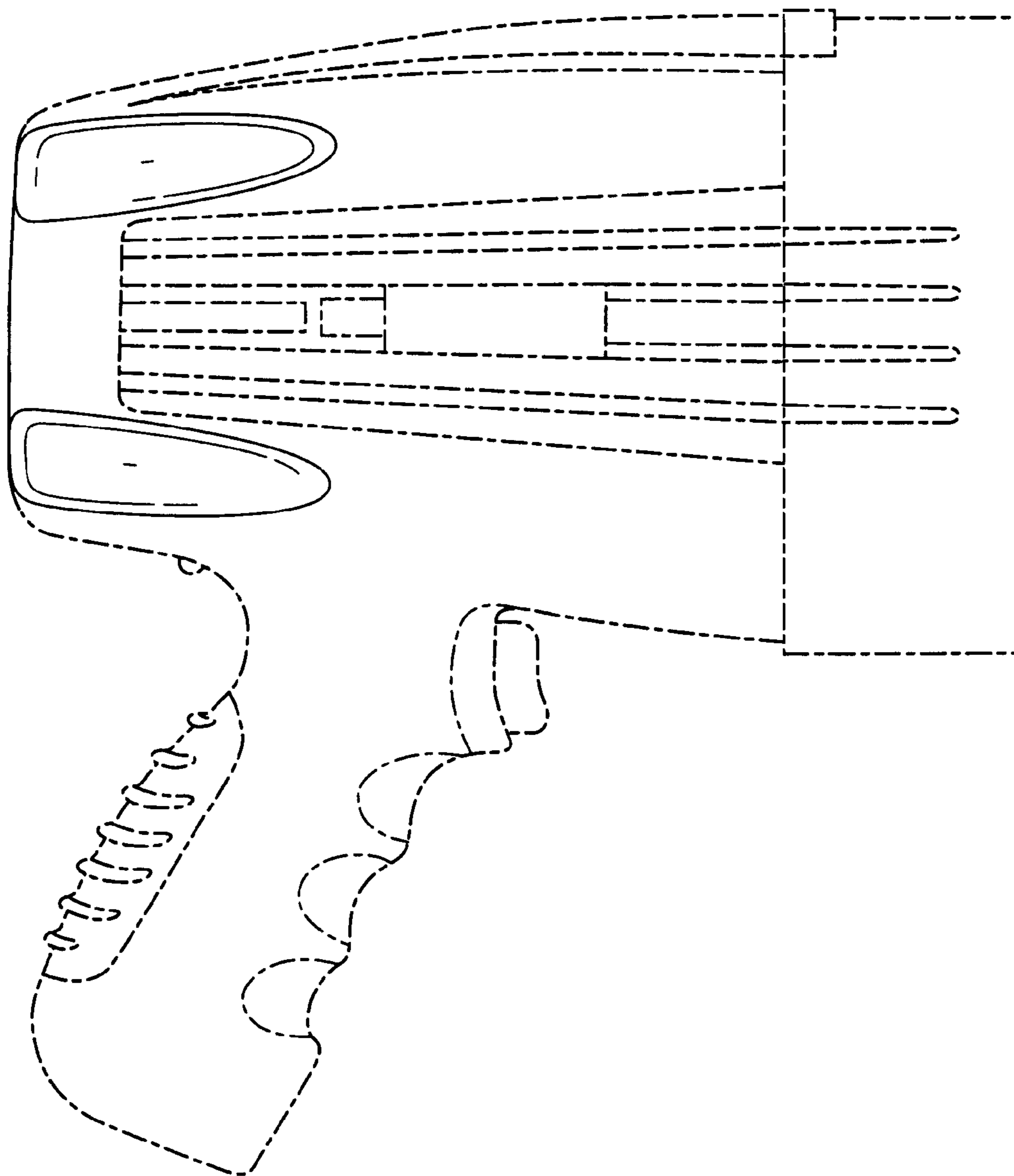


FIG. 3

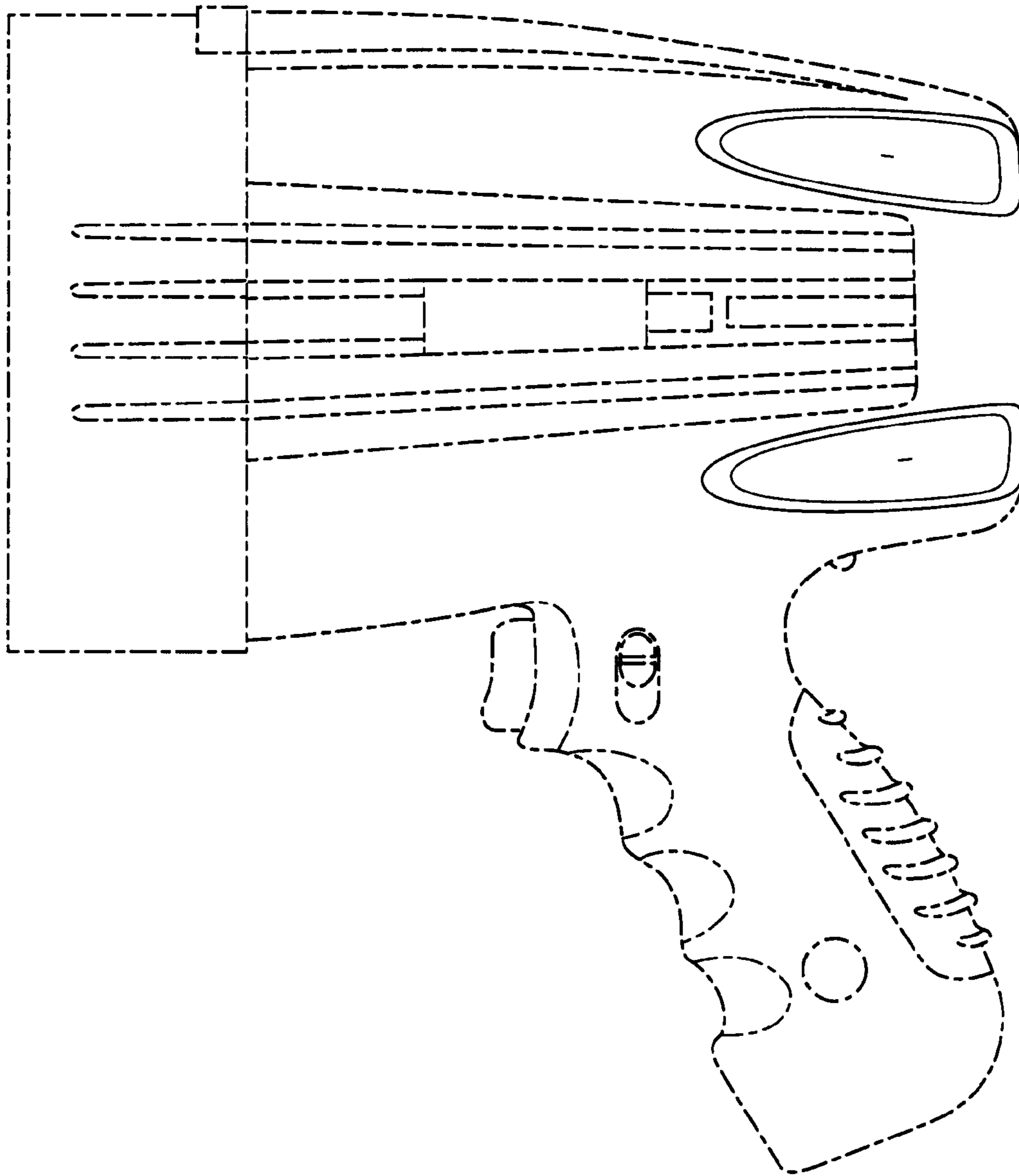


FIG. 4

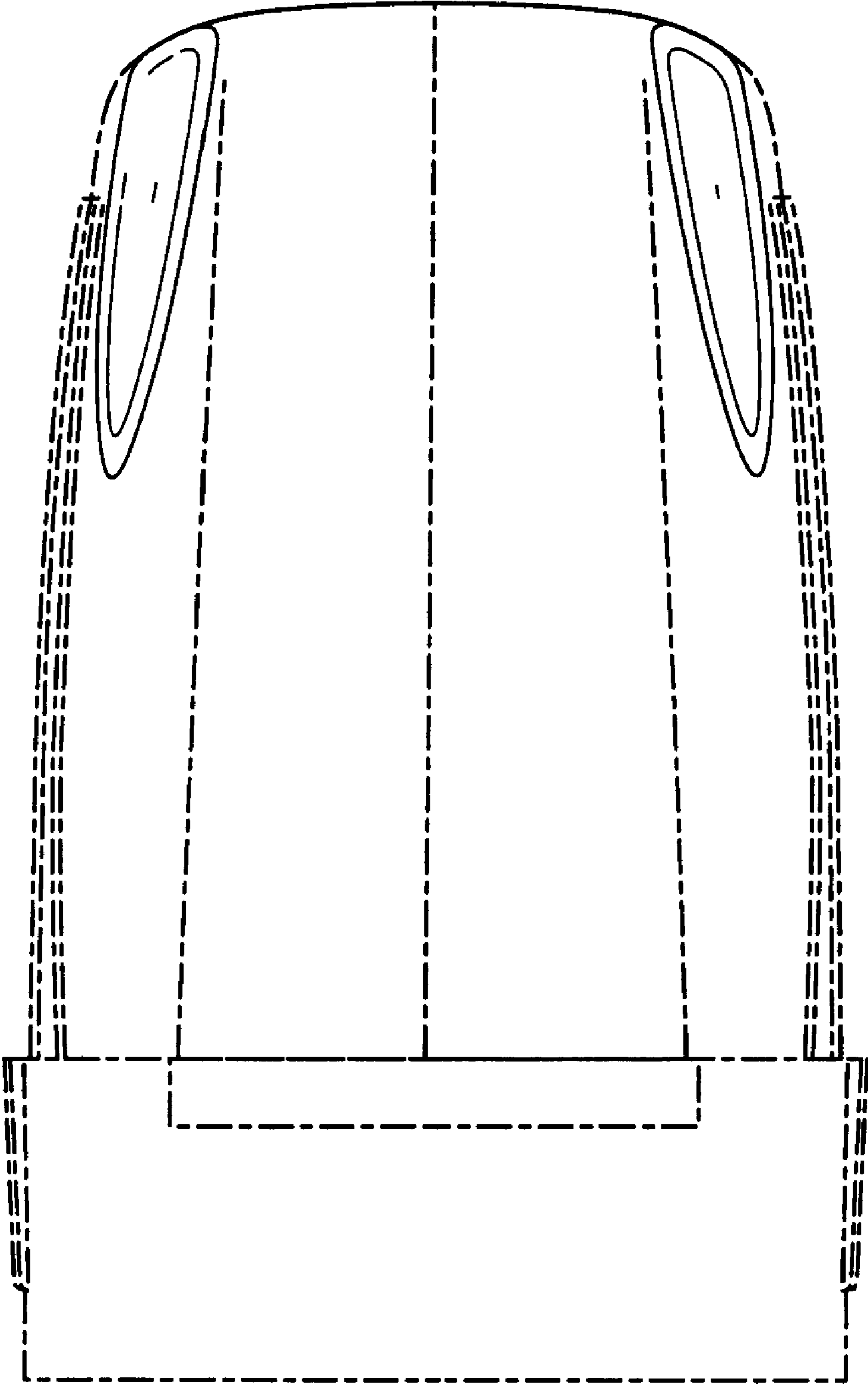


FIG. 5

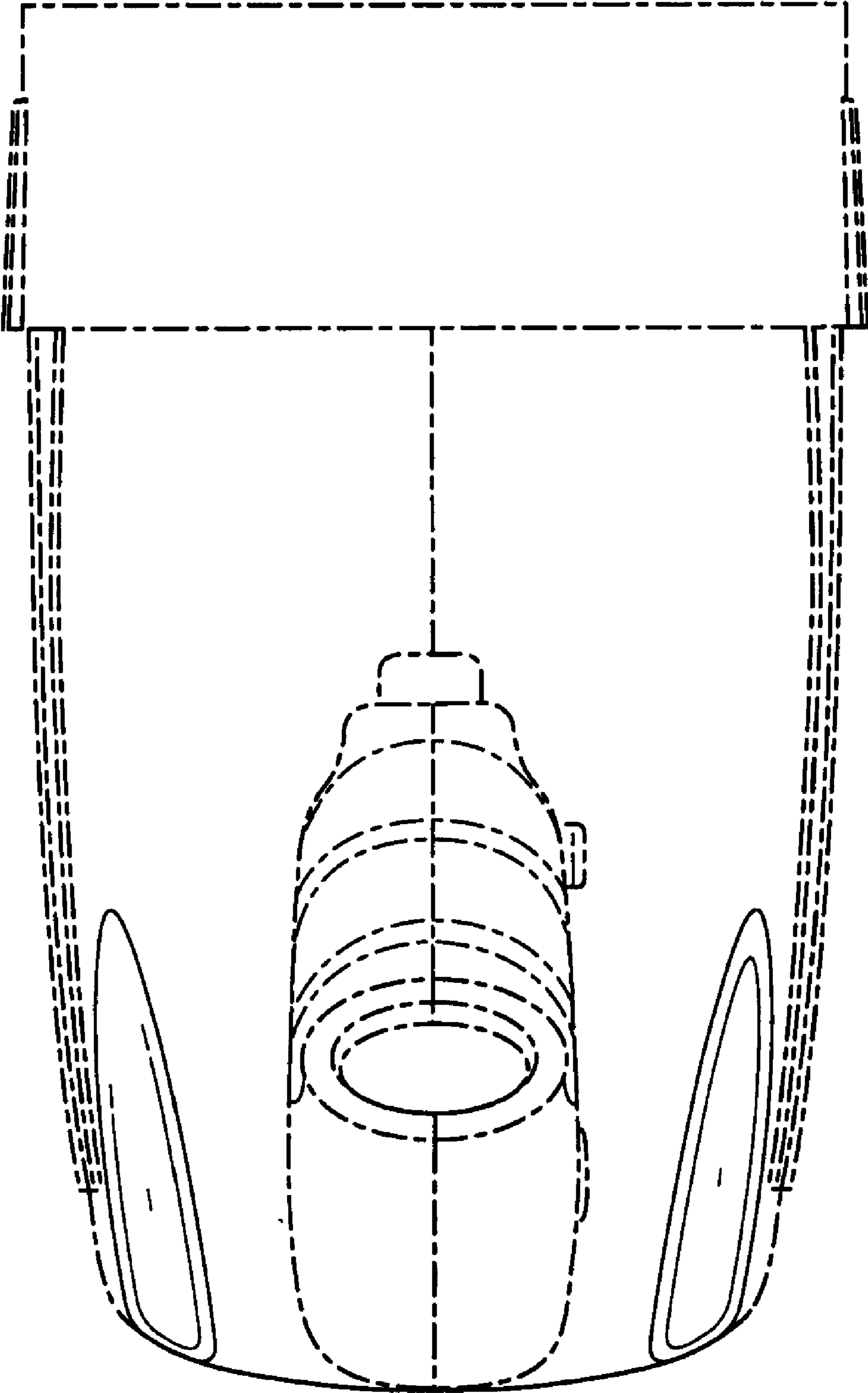


FIG. 6

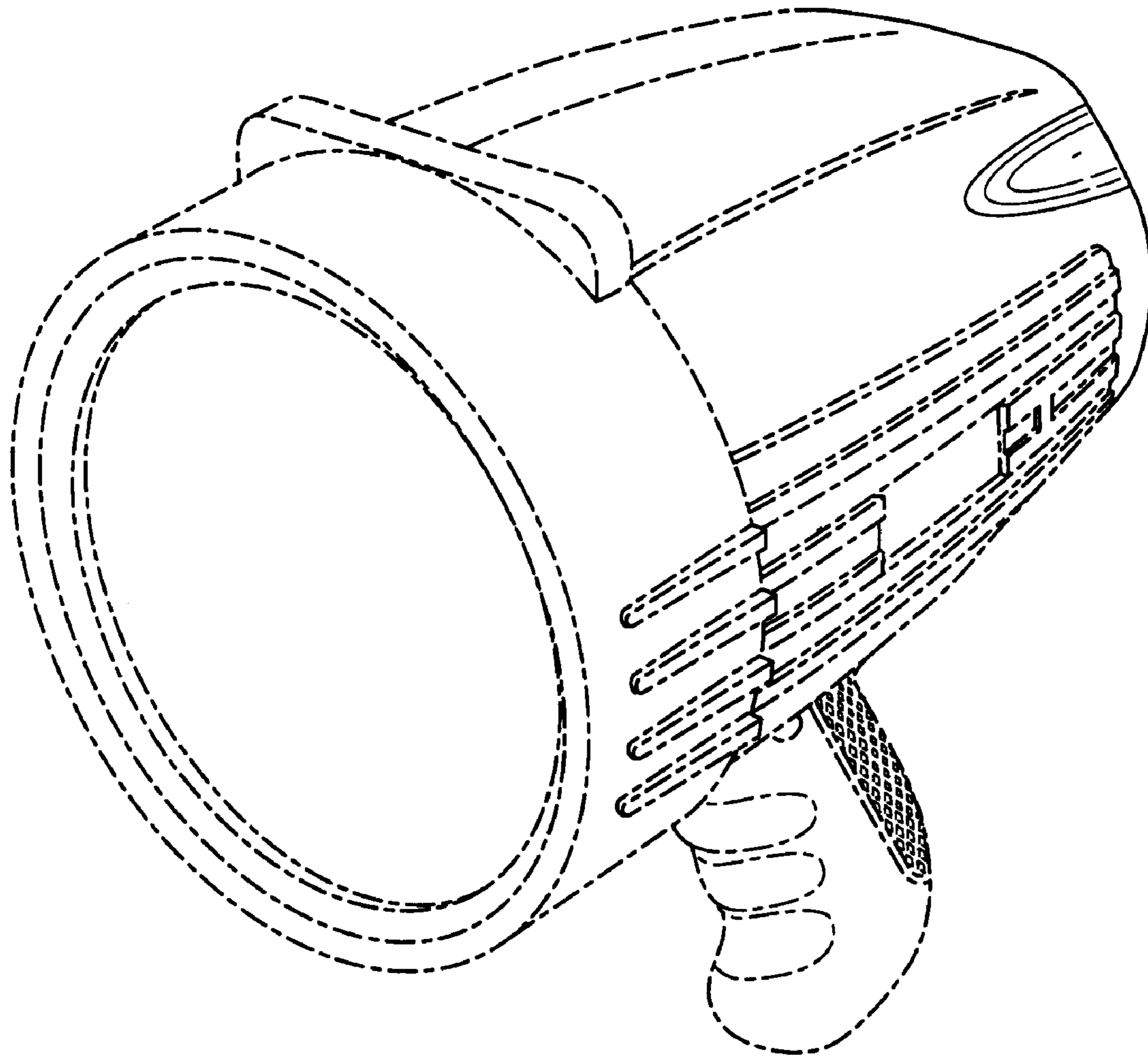


FIG. 7

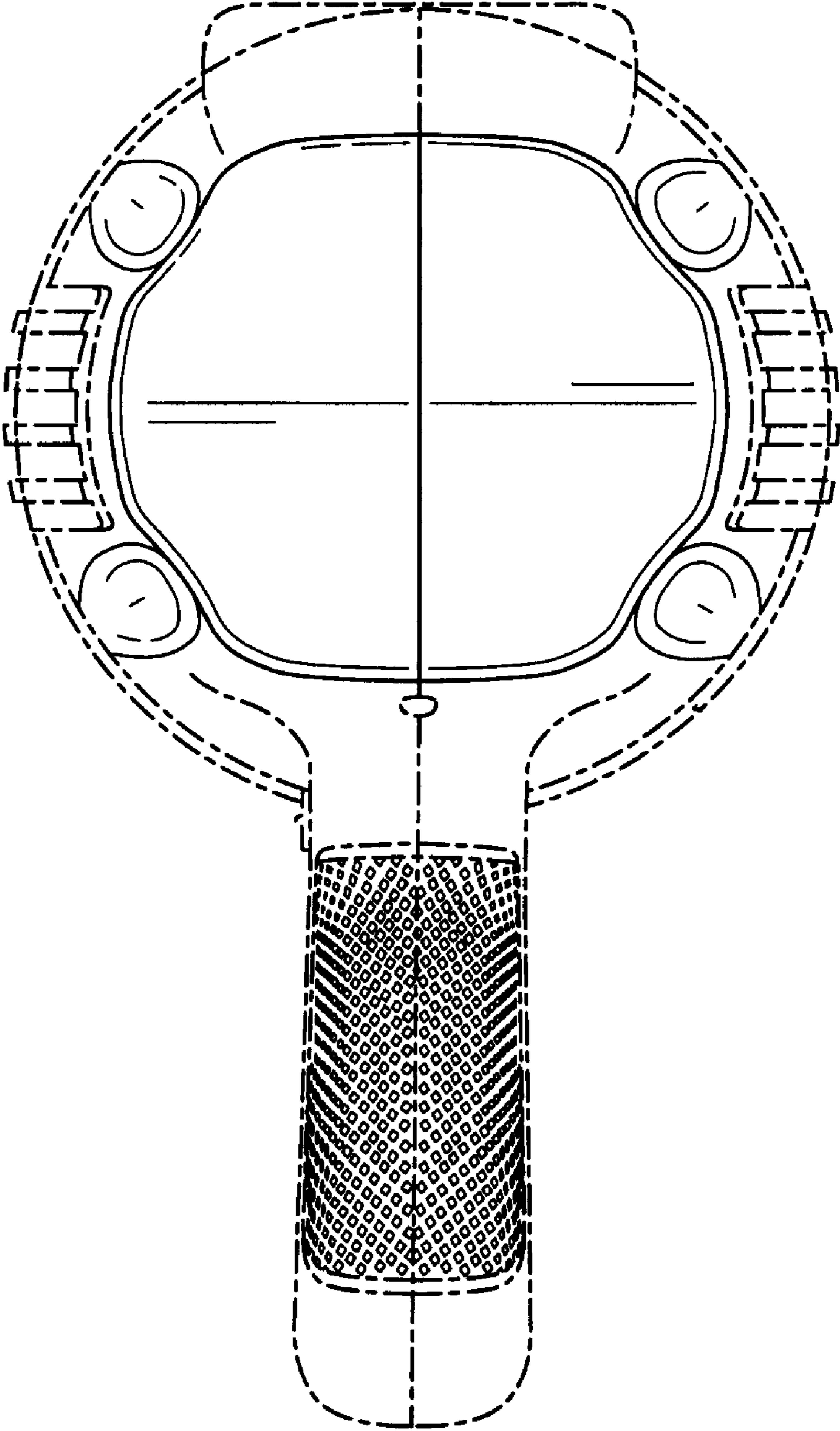


FIG. 8

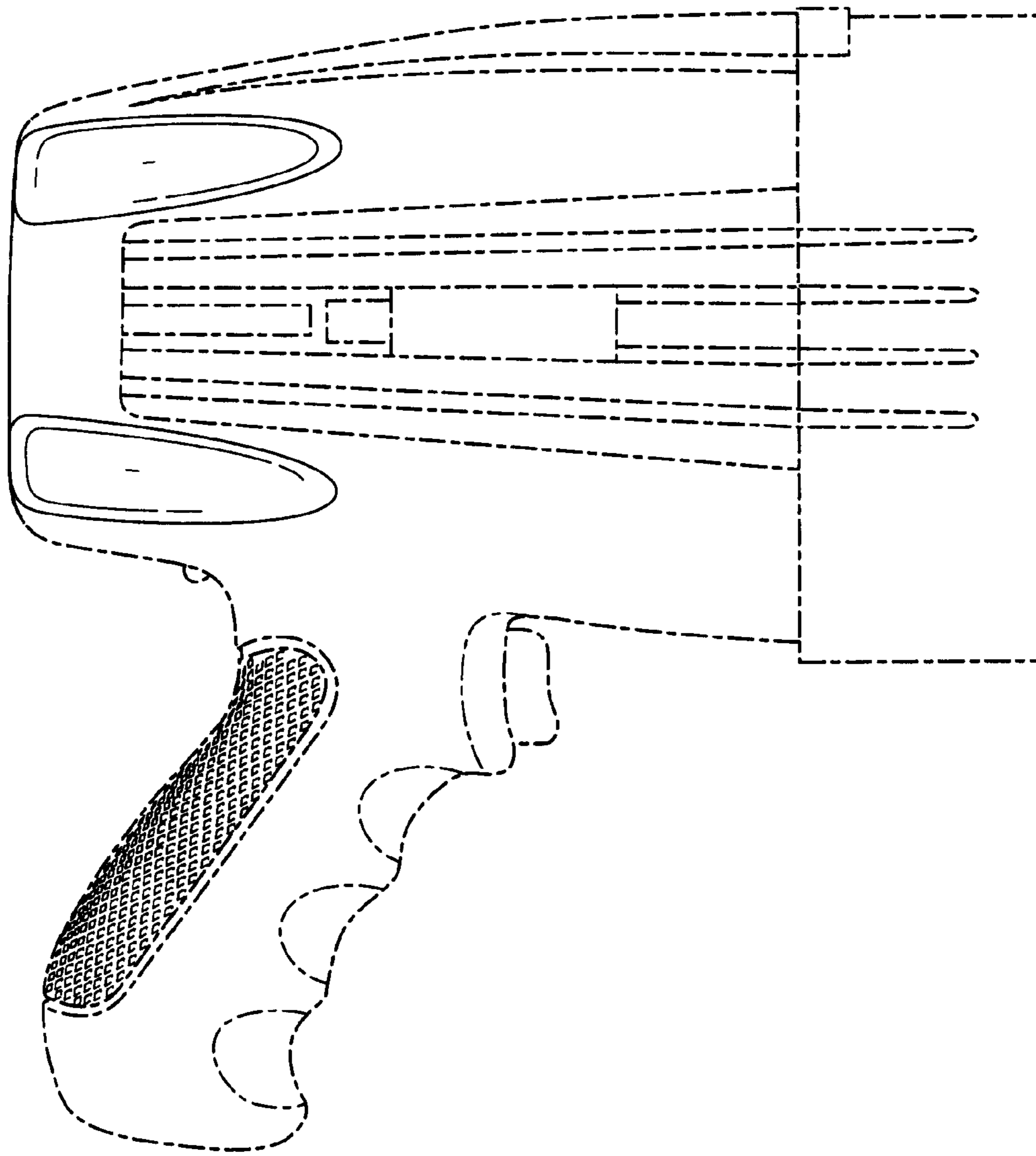


FIG. 9

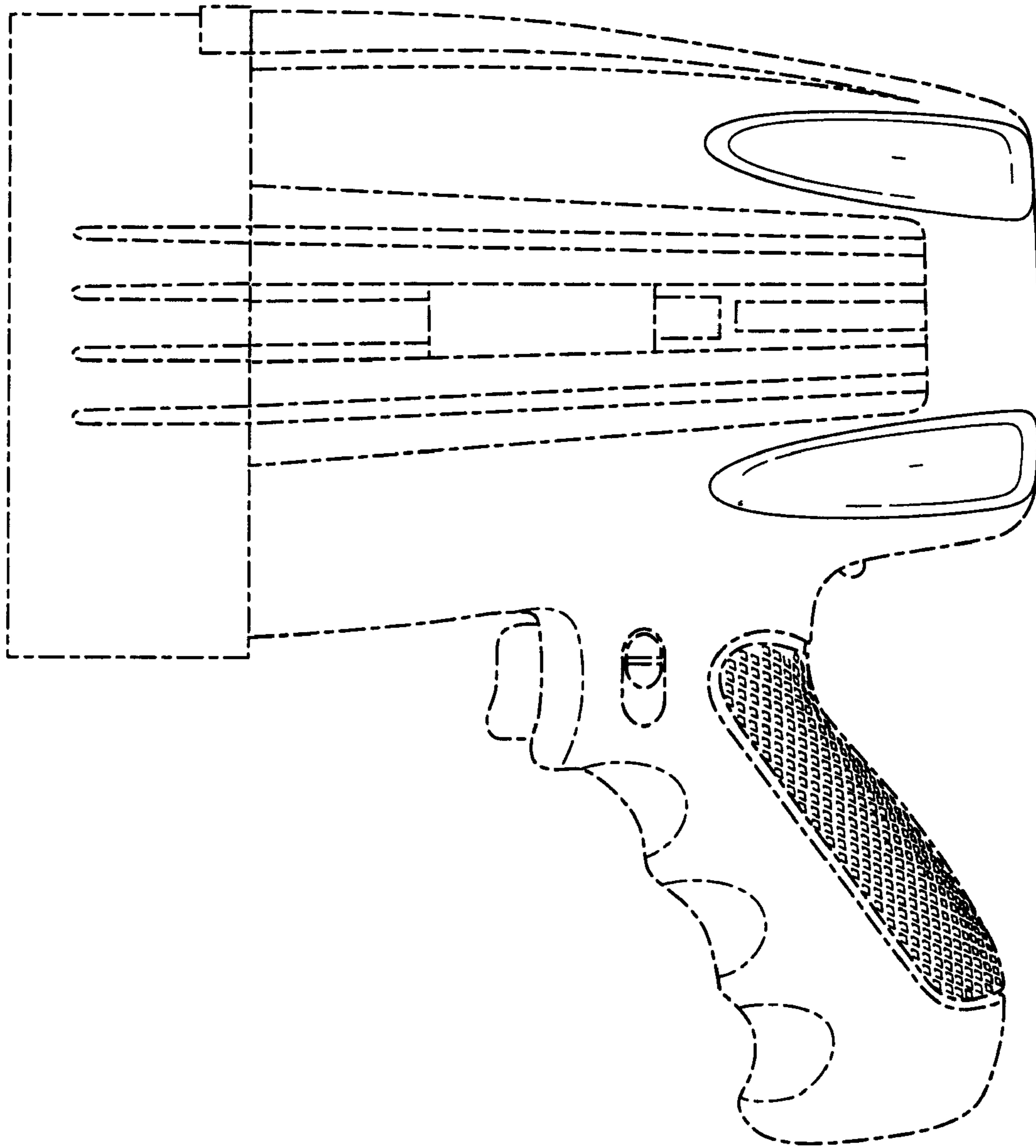


FIG. 10

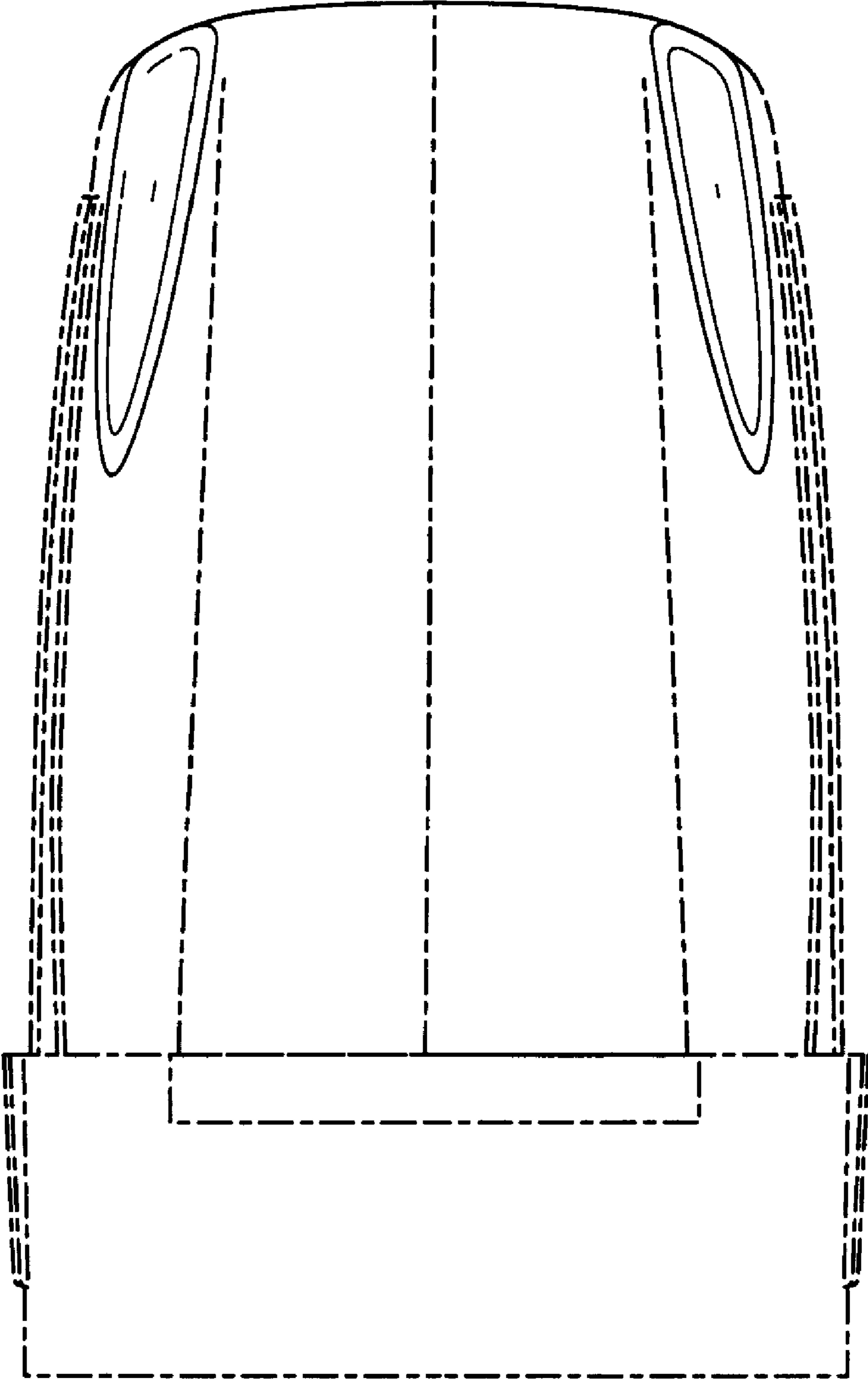


FIG. 11

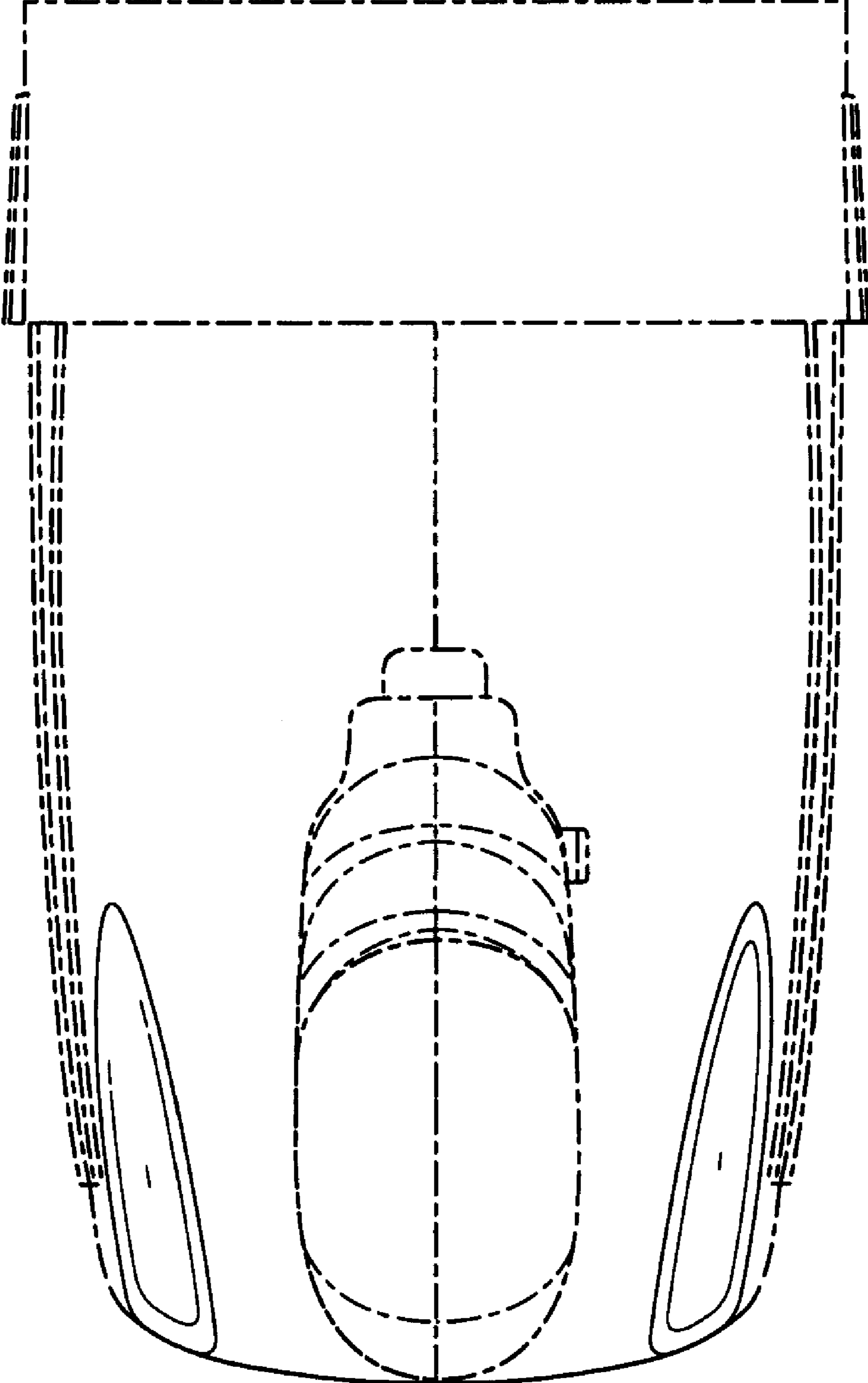


FIG. 12