

US00D549373S

(12) **United States Design Patent** (10) **Patent No.:** **US D549,373 S**  
**Osiecki et al.** (45) **Date of Patent:** **\*\* Aug. 21, 2007**

(54) **FLASHLIGHT**

(75) Inventors: **Scott W. Osiecki**, Skaneateles, NY (US); **Robert S. Englert**, Syracuse, NY (US); **Todd B. Abernethy**, Syracuse, NY (US)

(73) Assignee: **Eveready Battery Company, Inc.**, St. Louis, MO (US)

(\*\*) Term: **14 Years**

(21) Appl. No.: **29/266,084**

(22) Filed: **Sep. 14, 2006**

(51) **LOC (8) Cl.** ..... **26-02**

(52) **U.S. Cl.** ..... **D26/44**

(58) **Field of Classification Search** ..... D26/37, D26/38, 43, 44, 45, 48; 362/612, 555, 578, 362/33, 109, 157, 158, 159, 174, 183, 187, 362/188, 192, 193

See application file for complete search history.

(56) **References Cited**

**U.S. PATENT DOCUMENTS**

D378,434 S *	3/1997	Petterson et al. ....	D26/44
D402,070 S *	12/1998	Poon .....	D26/44
D444,582 S *	7/2001	Poon .....	D26/44
D467,375 S *	12/2002	Lynch et al. ....	D26/44
D507,064 S *	7/2005	Osiecki et al. ....	D26/37
D536,464 S *	2/2007	Kingston et al. ....	D26/43

\* cited by examiner

*Primary Examiner*—Ian Simmons

*Assistant Examiner*—Carissa Fitts

(74) *Attorney, Agent, or Firm*—Gregory J. Adams

(57) **CLAIM**

We claim the ornamental design for a flashlight, as shown and described.

**DESCRIPTION**

FIG. 1 is a view showing the top left perspective of the flashlight of the present invention;

FIG. 2 is top view of the flashlight of the present invention;

FIG. 3 is a bottom view of the flashlight of the present invention;

FIG. 4 is a right side view of the flashlight of the present invention;

FIG. 5 is a left side view of the flashlight of the present invention;

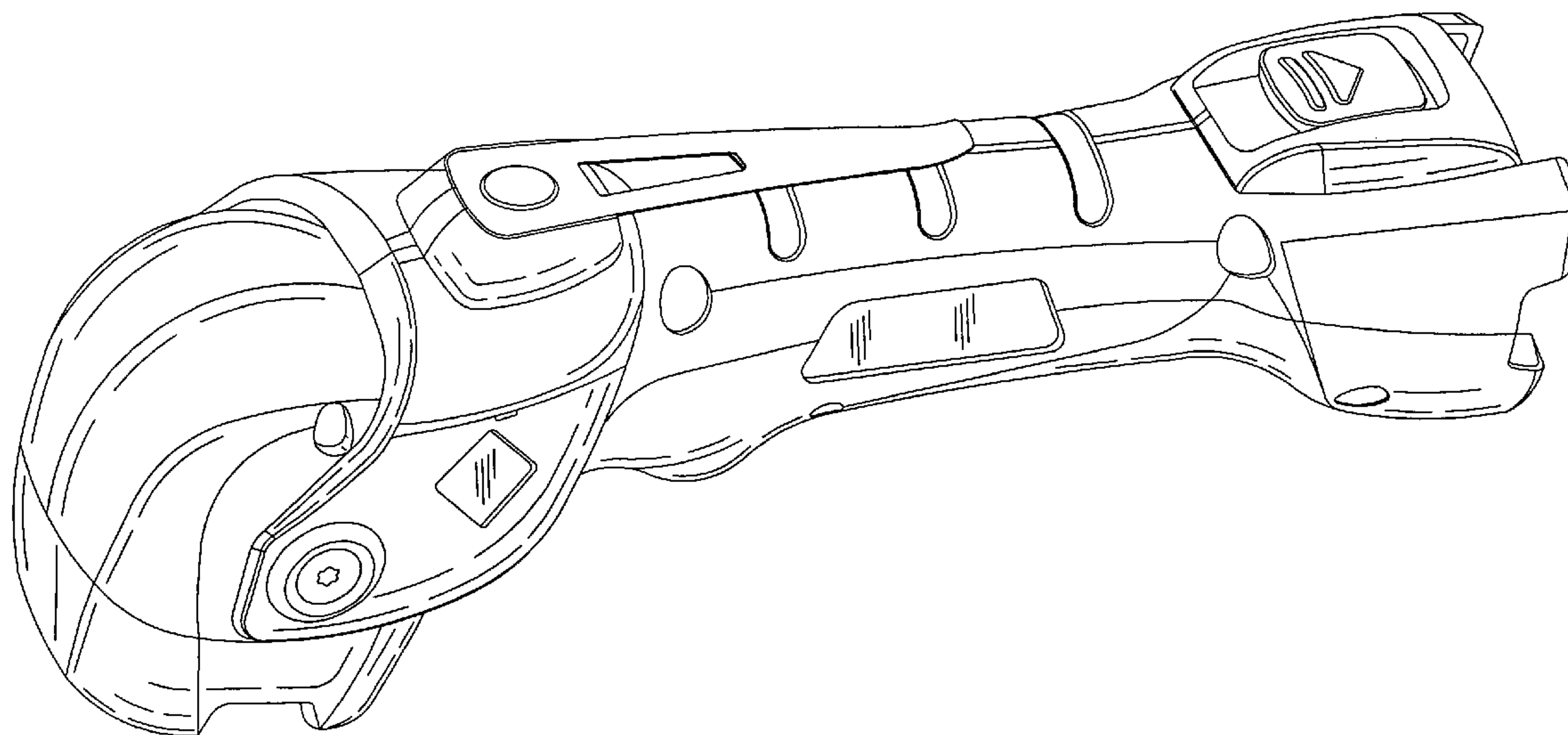
FIG. 6 is a front view of the flashlight of the present invention;

FIG. 7 is a rear view of the flashlight of the present invention;

FIG. 8 is a right side view of the flashlight of the present invention in an alternate position; and,

FIG. 9 is a right side view of the flashlight of the present invention in a second alternate position.

**1 Claim, 8 Drawing Sheets**



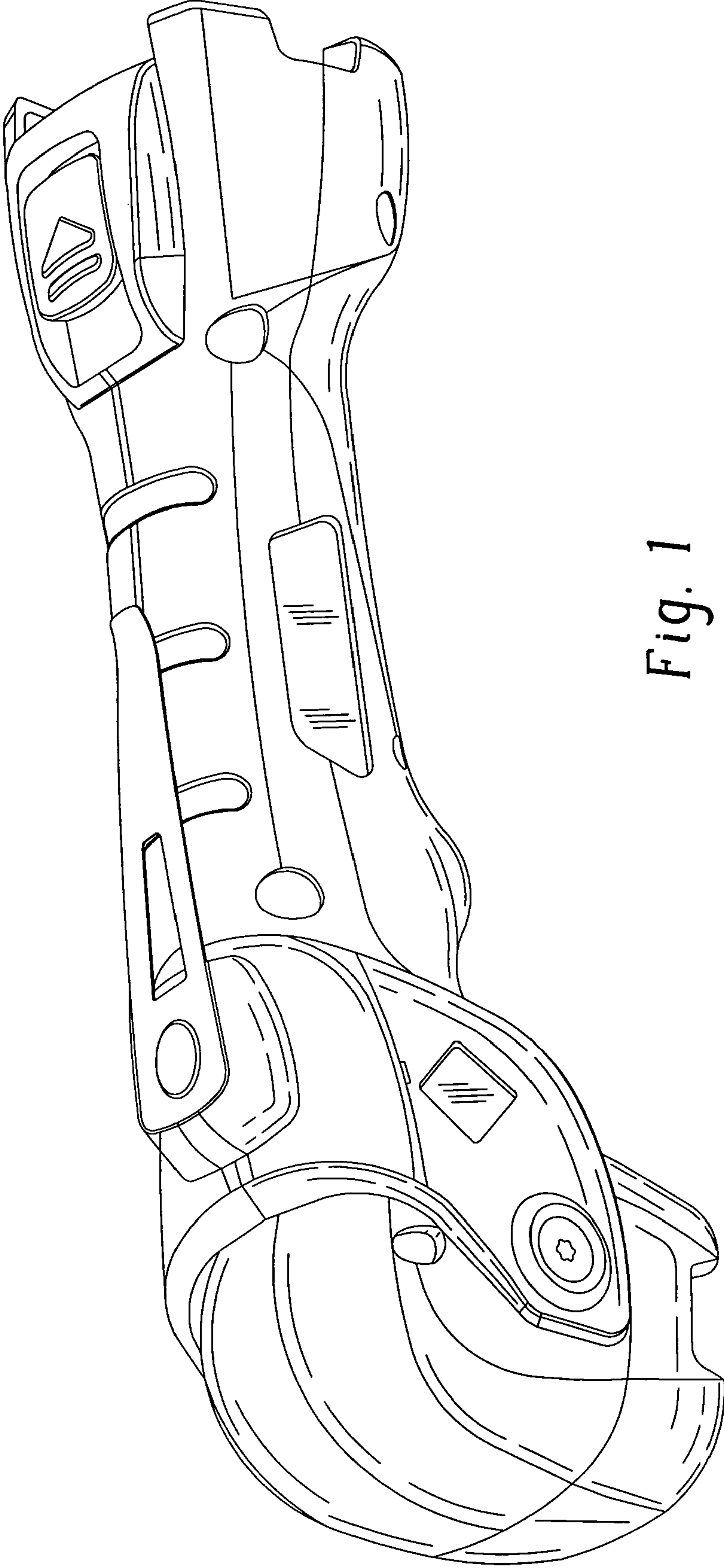
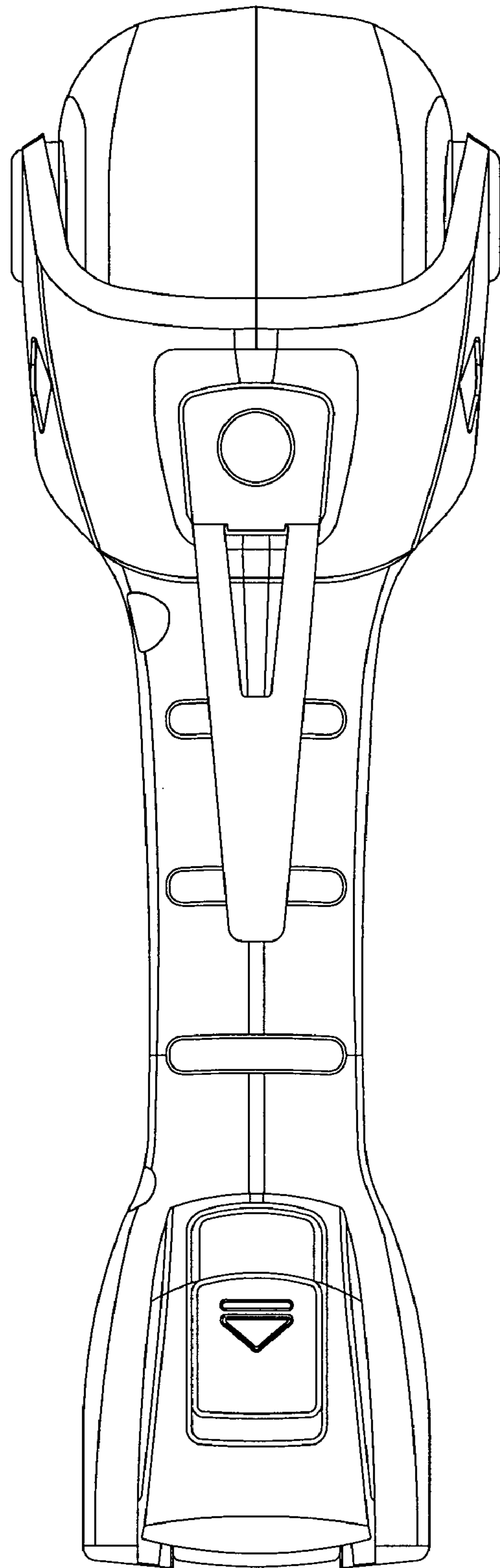
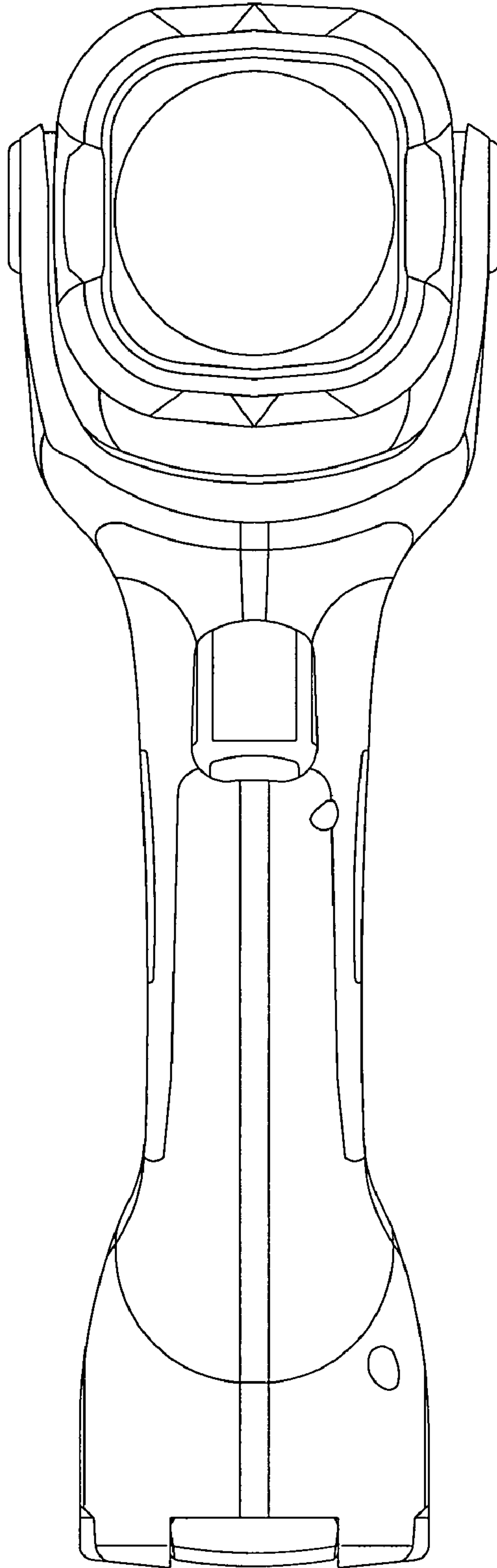


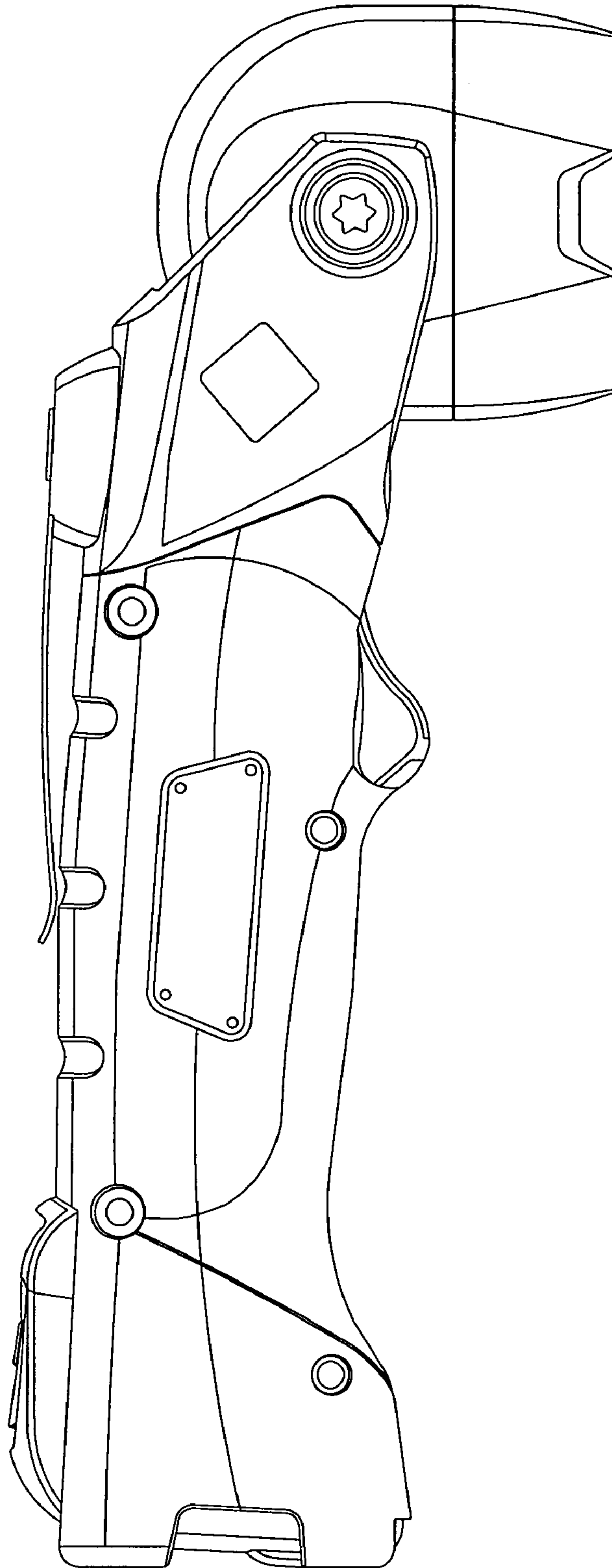
Fig. 1



*Fig. 2*

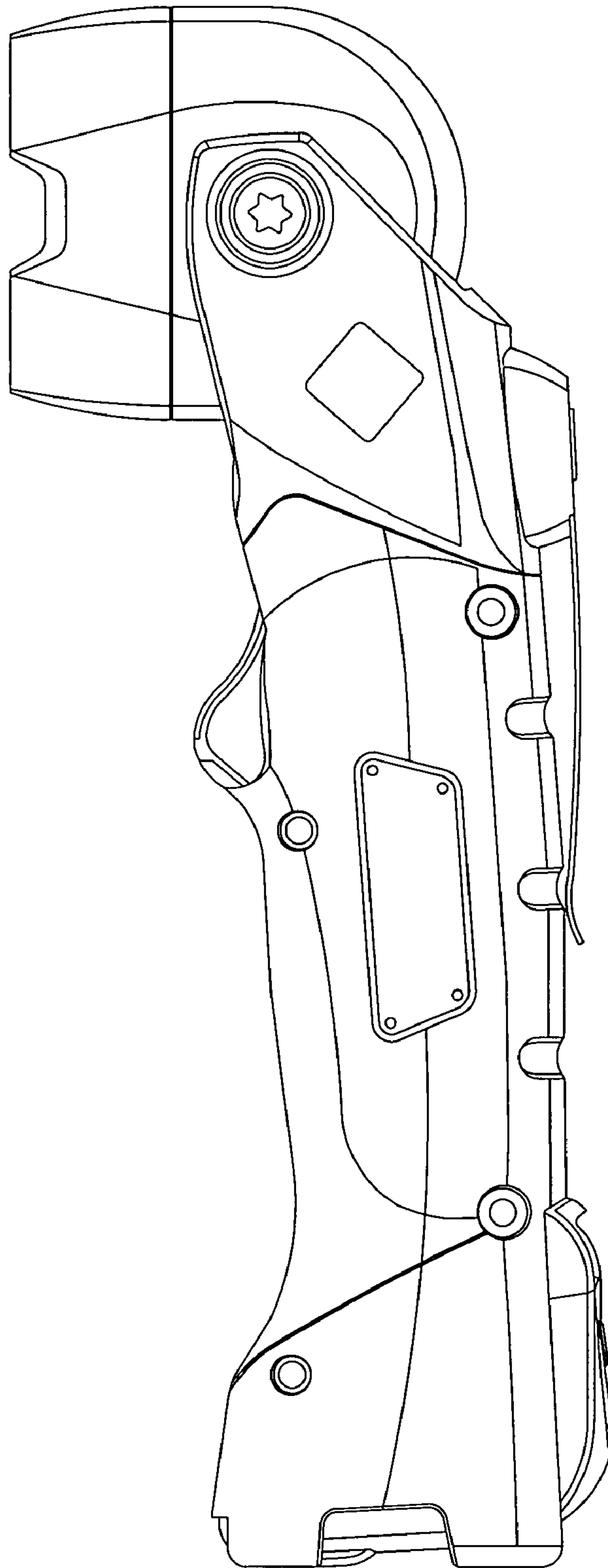


*Fig. 3*

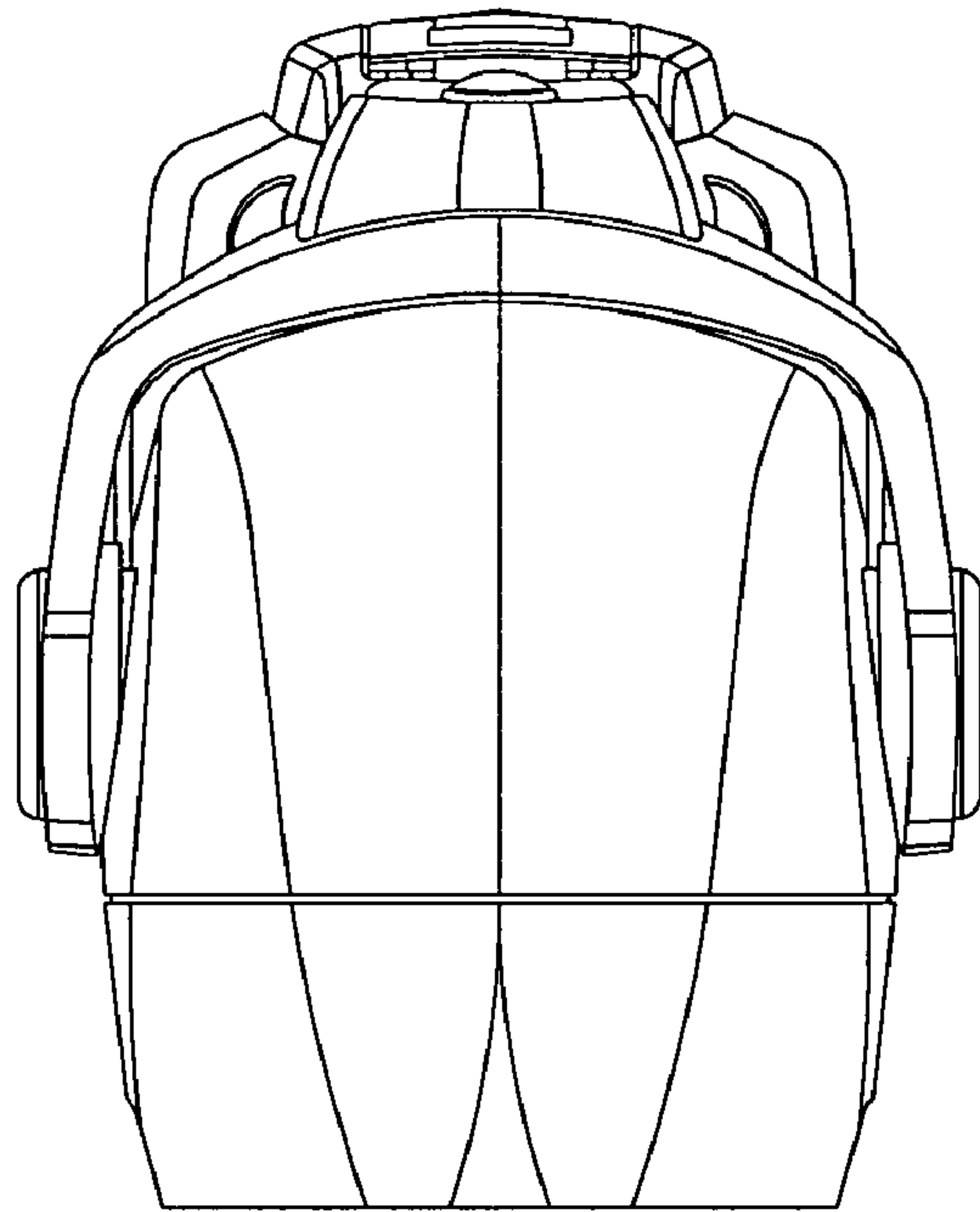


*Fig. 4*

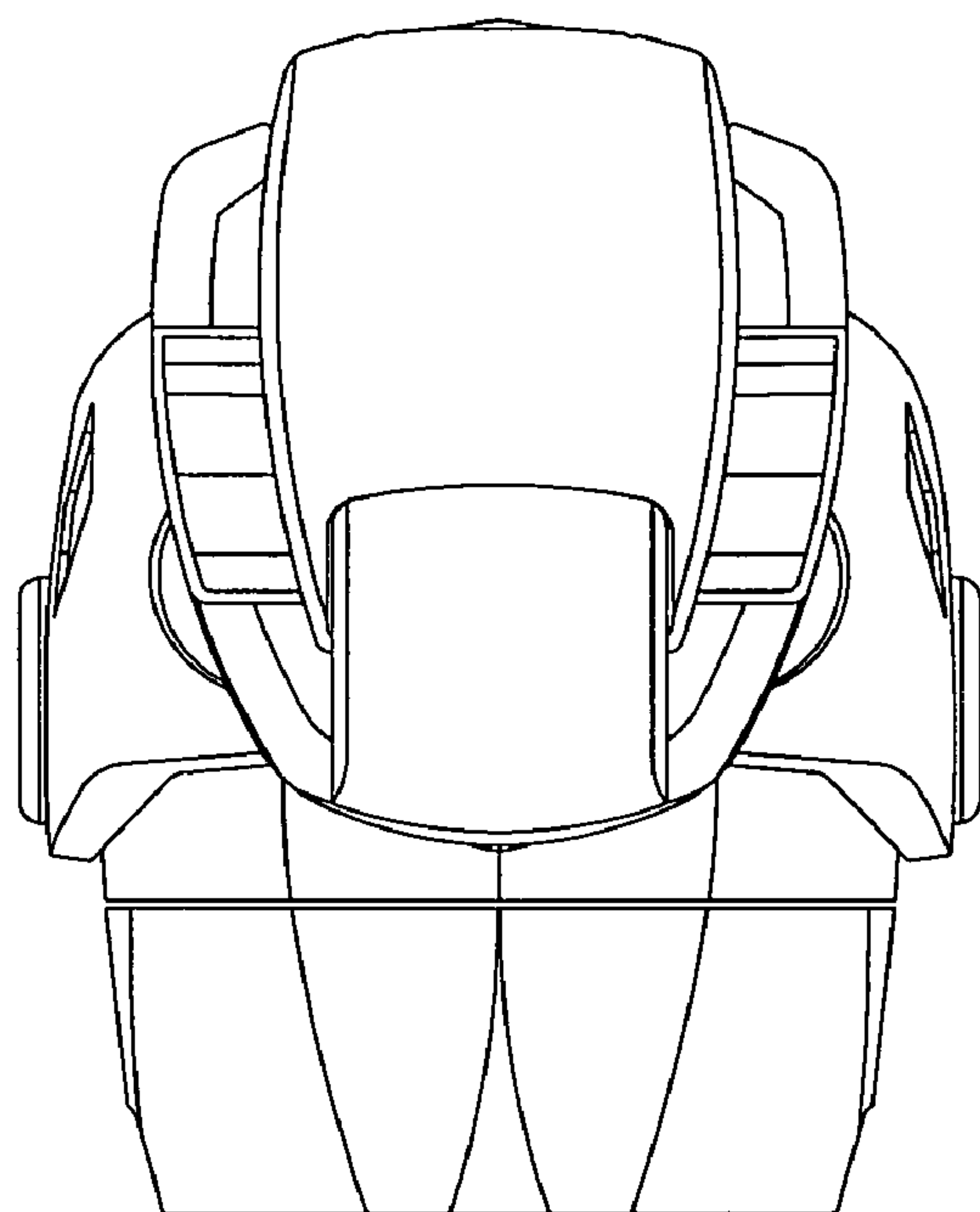




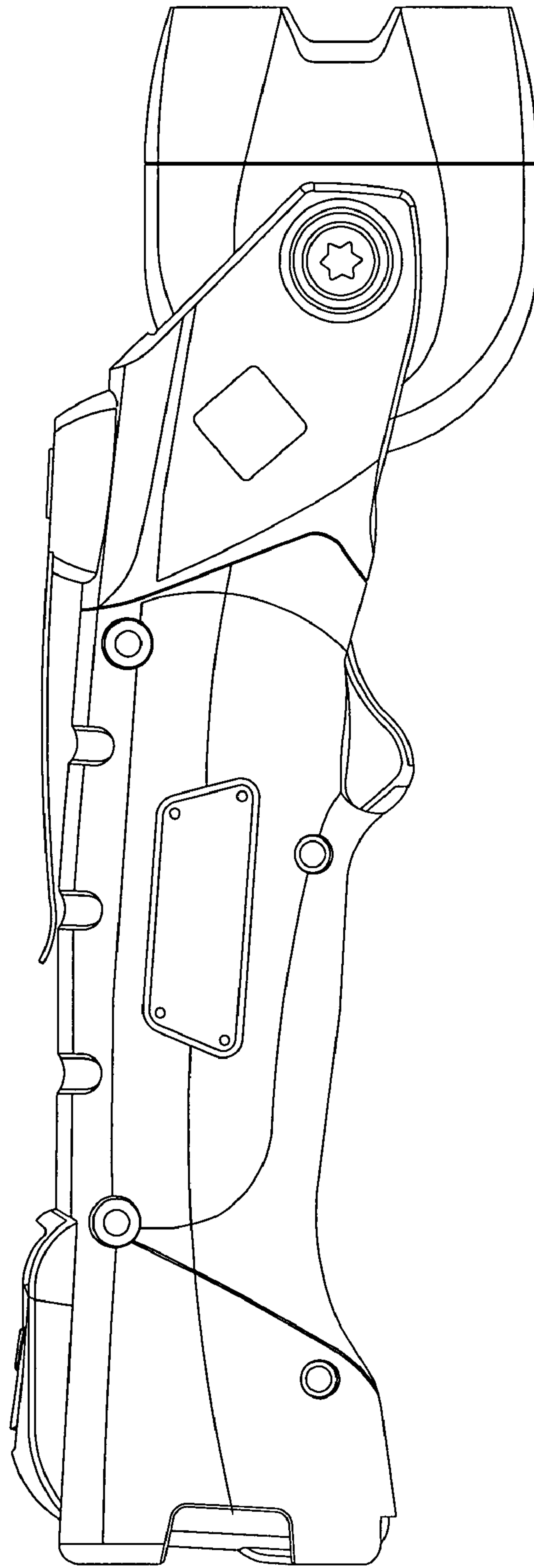
*Fig. 5*



*Fig. 6*

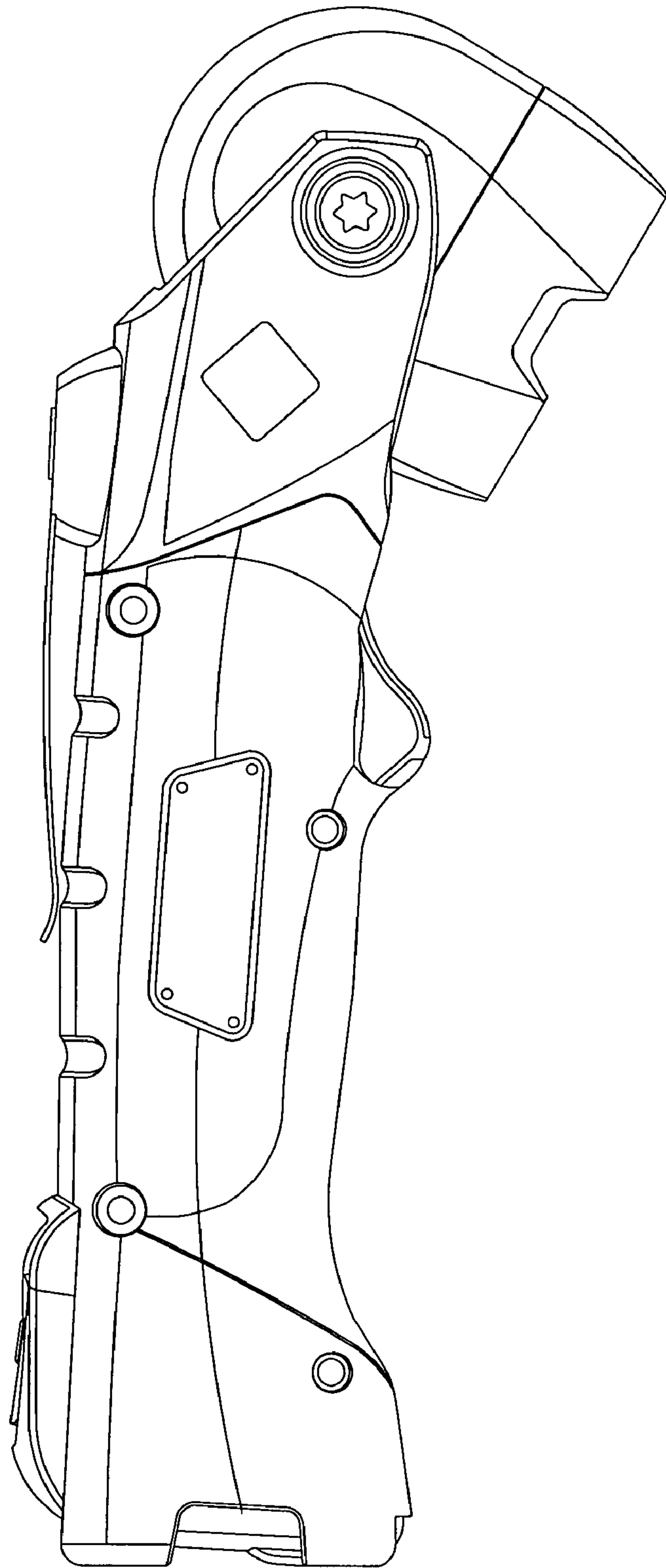


*Fig. 7*



*Fig. 8*





*Fig. 9*