



US00D549370S

(12) **United States Design Patent**
Lee

(10) **Patent No.:** **US D549,370 S**

(45) **Date of Patent:** **** Aug. 21, 2007**

(54) **FLASHLIGHT**

D529,212 S * 9/2006 Yuen D26/37

(76) Inventor: **Wen-Sung Lee**, 8F-2, No. 60-2, 1st
Road, Taichung Industrial Park,
Taichung 407 (TW)

* cited by examiner

Primary Examiner—Marcus A. Jackson
(74) *Attorney, Agent, or Firm*—Banger Shia

(**) Term: **14 Years**

(57) **CLAIM**

(21) Appl. No.: **29/276,147**

I claim the ornamental design for a flashlight, as shown and described.

(22) Filed: **Jan. 17, 2007**

(51) **LOC (8) Cl.** **26-02**

(52) **U.S. Cl.** **D26/37**

(58) **Field of Classification Search** D26/37-50;
362/157, 158, 171-174, 183-208

See application file for complete search history.

DESCRIPTION

(56) **References Cited**

U.S. PATENT DOCUMENTS

- D511,586 S * 11/2005 Yeh D26/37
- D513,335 S * 12/2005 Lee D26/37
- D520,160 S * 5/2006 Lee D26/37
- D528,676 S * 9/2006 Leslie et al. D26/28

FIG. 1 is a perspective view of a flashlight, showing my new design;

FIG. 2 is a front elevational view thereof;

FIG. 3 is a rear elevational view thereof;

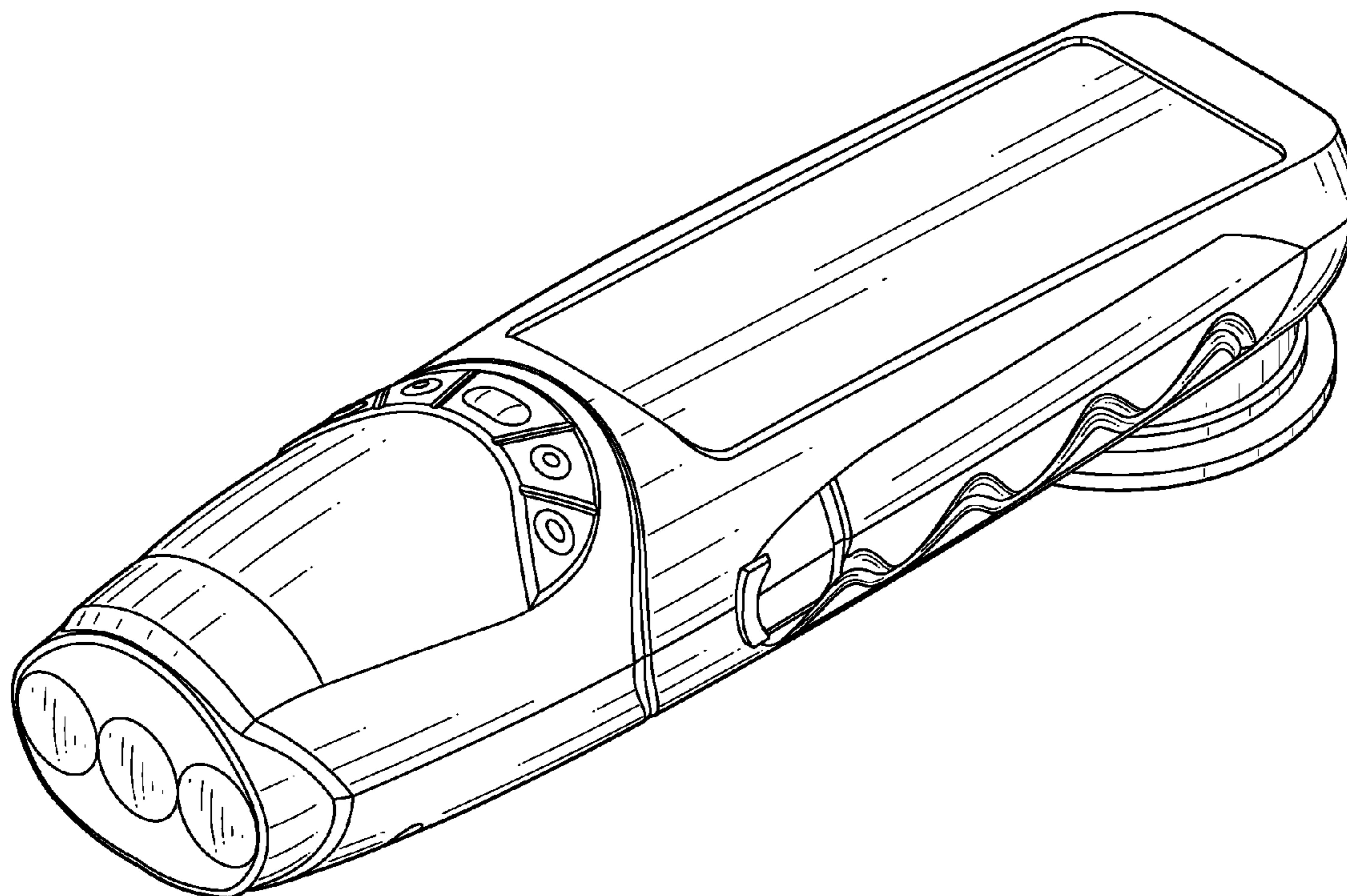
FIG. 4 is a left side elevational view thereof;

FIG. 5 is a right side elevational view thereof;

FIG. 6 is a top plan view thereof; and,

FIG. 7 is a bottom plan view thereof.

1 Claim, 7 Drawing Sheets



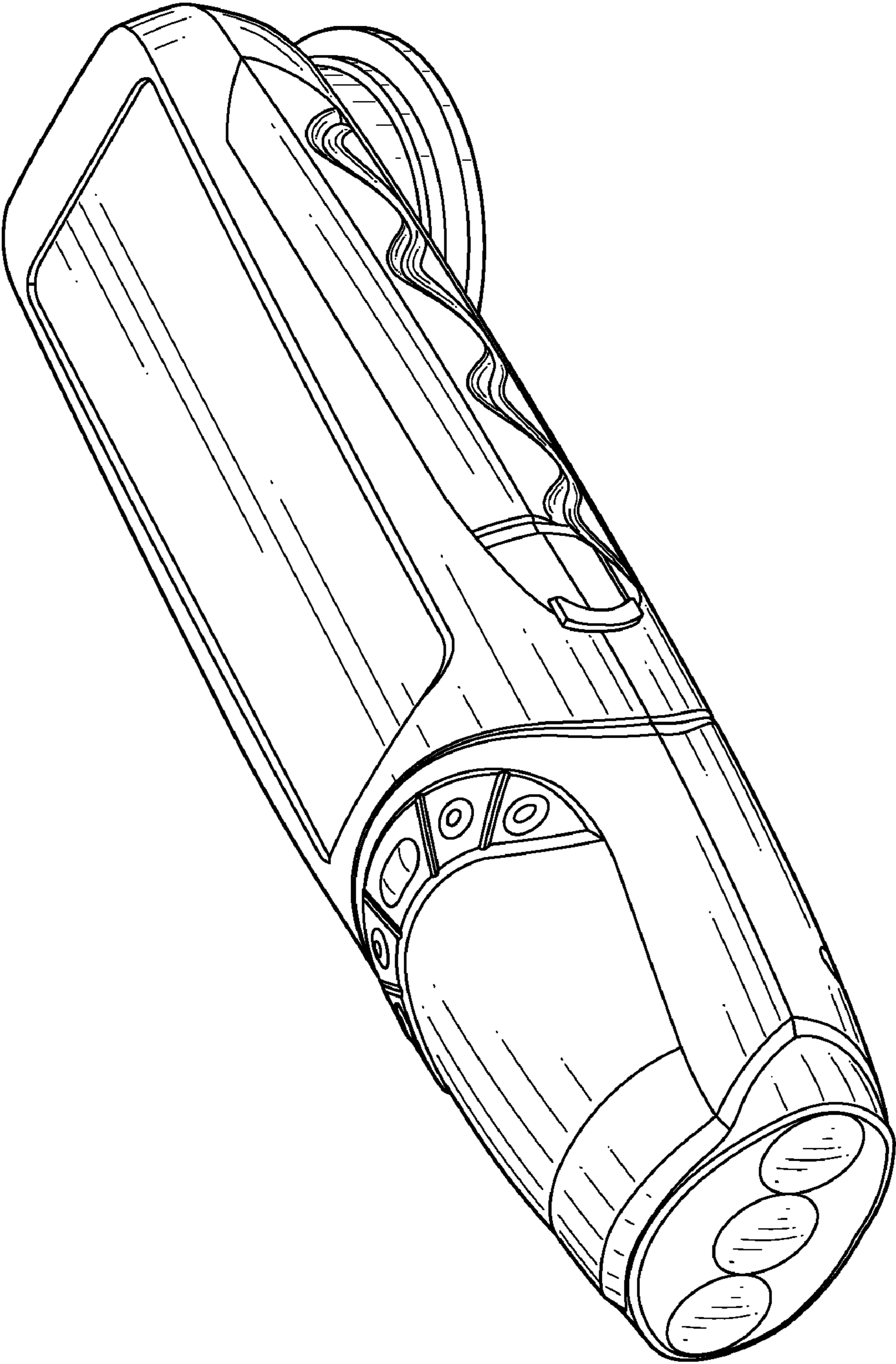


FIG. 1

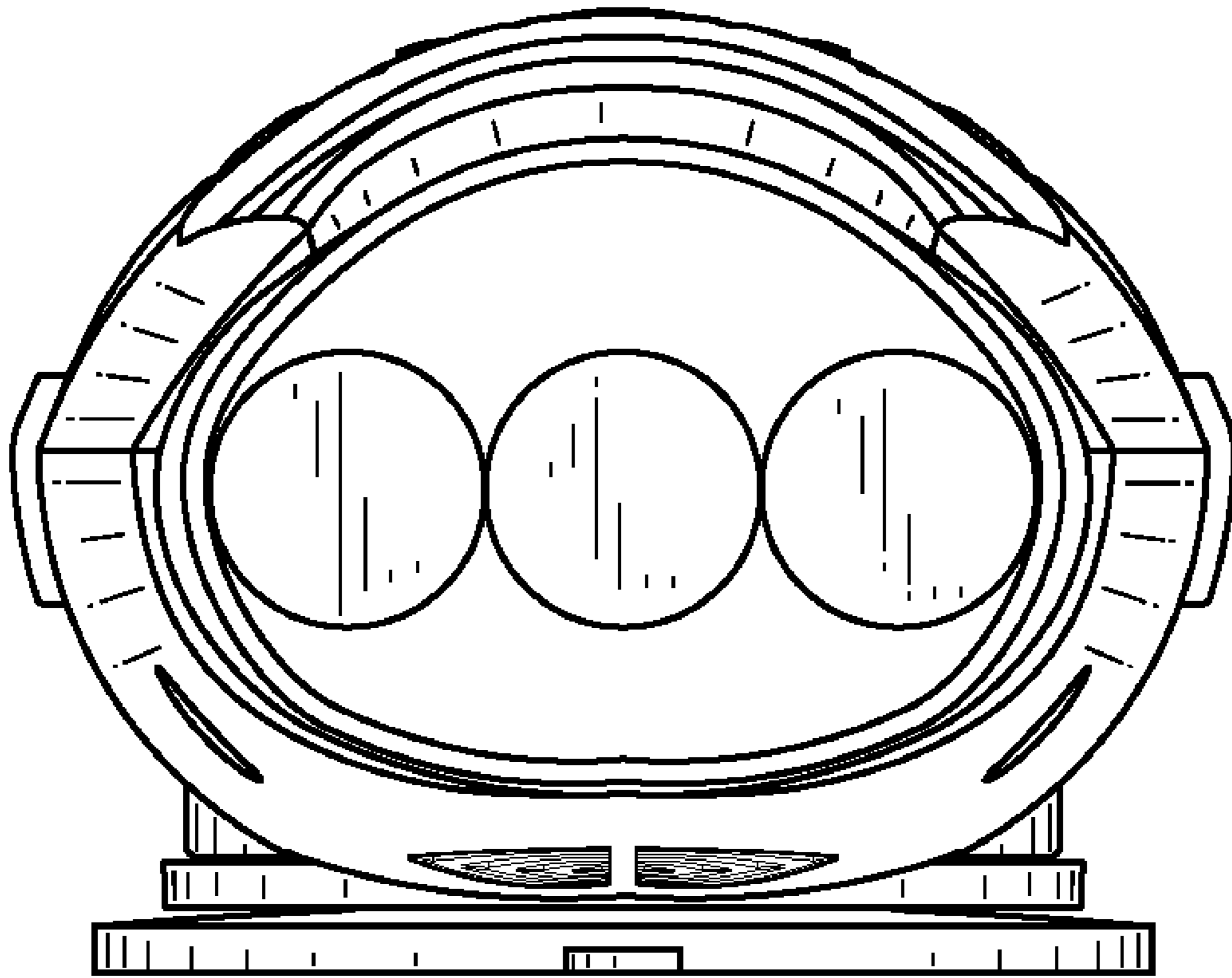


FIG. 2

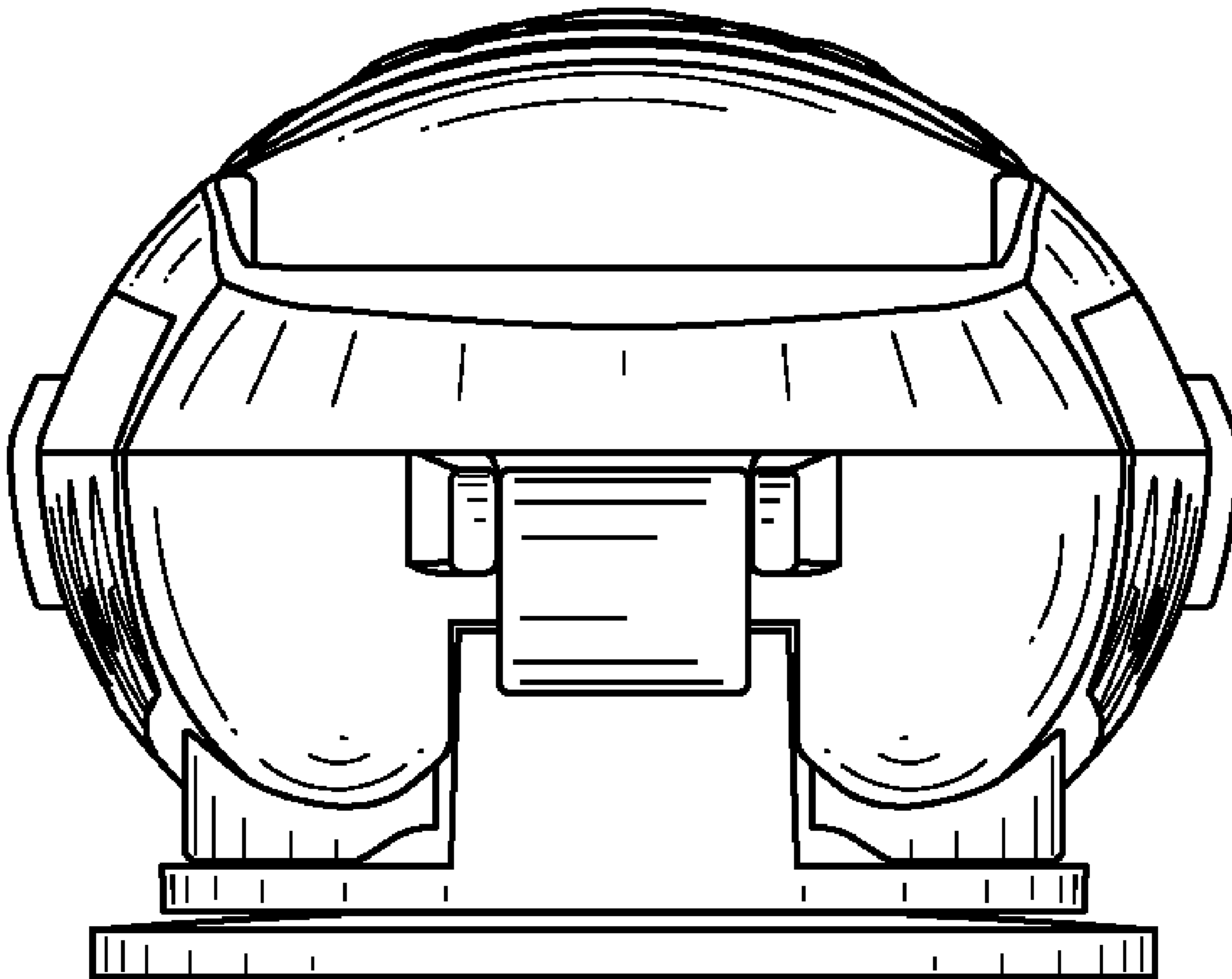


FIG. 3

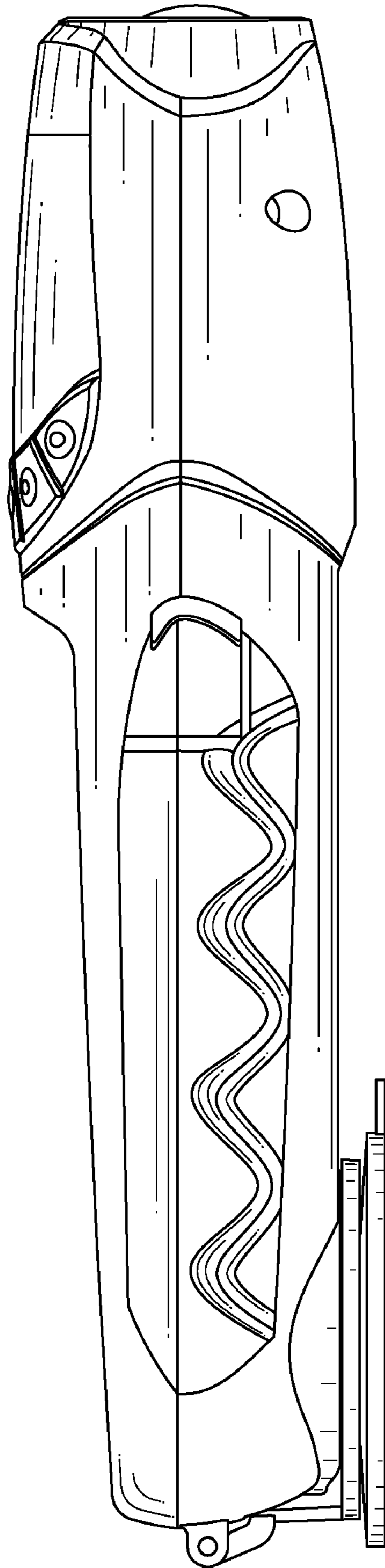


FIG. 4

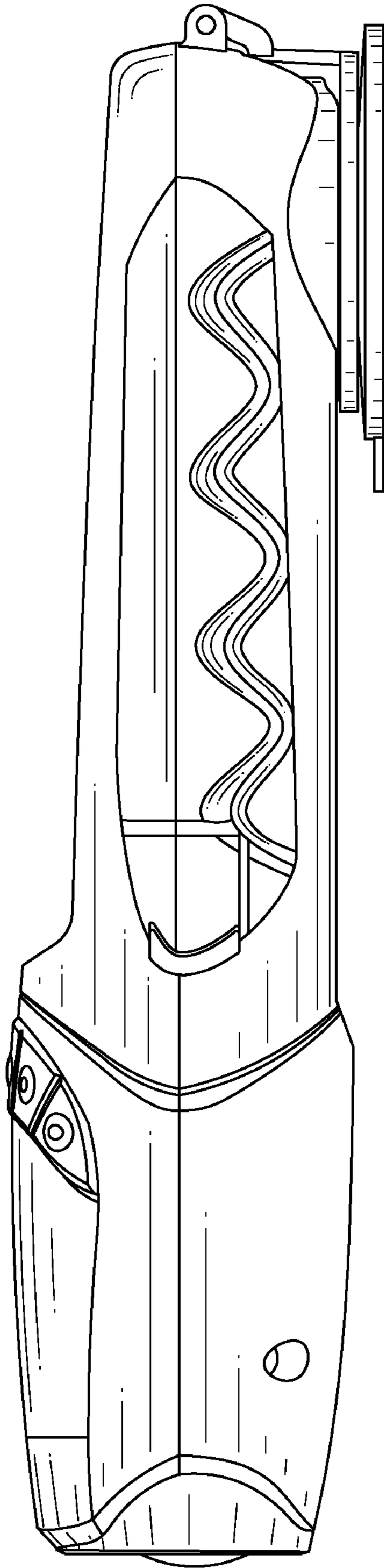


FIG. 5

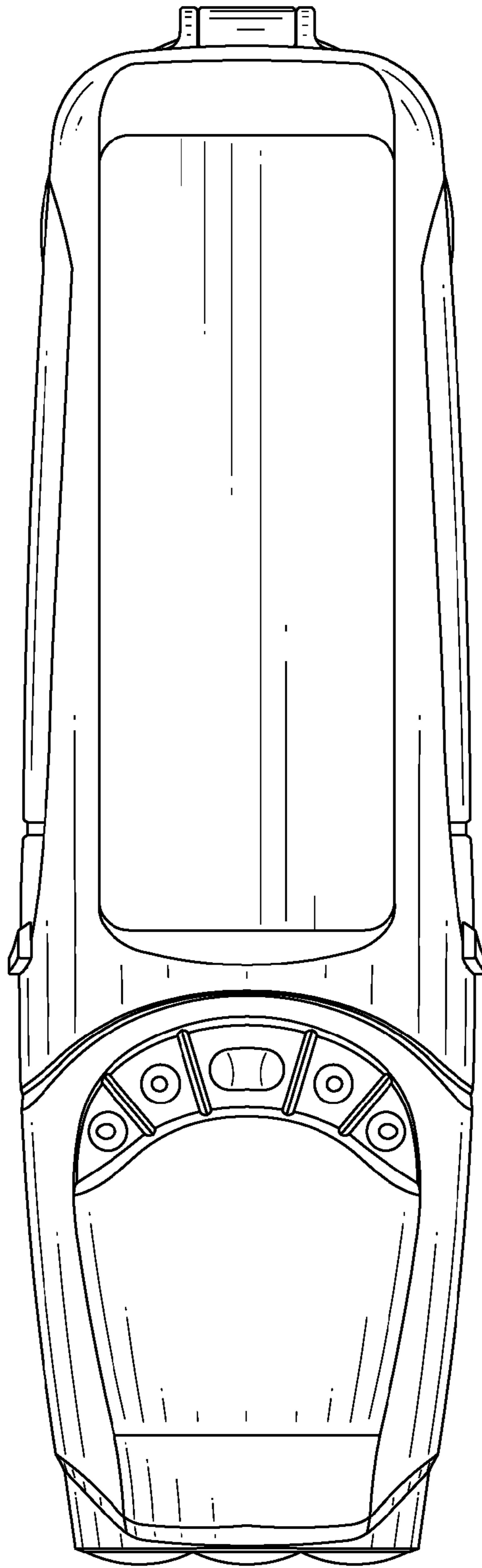


FIG. 6

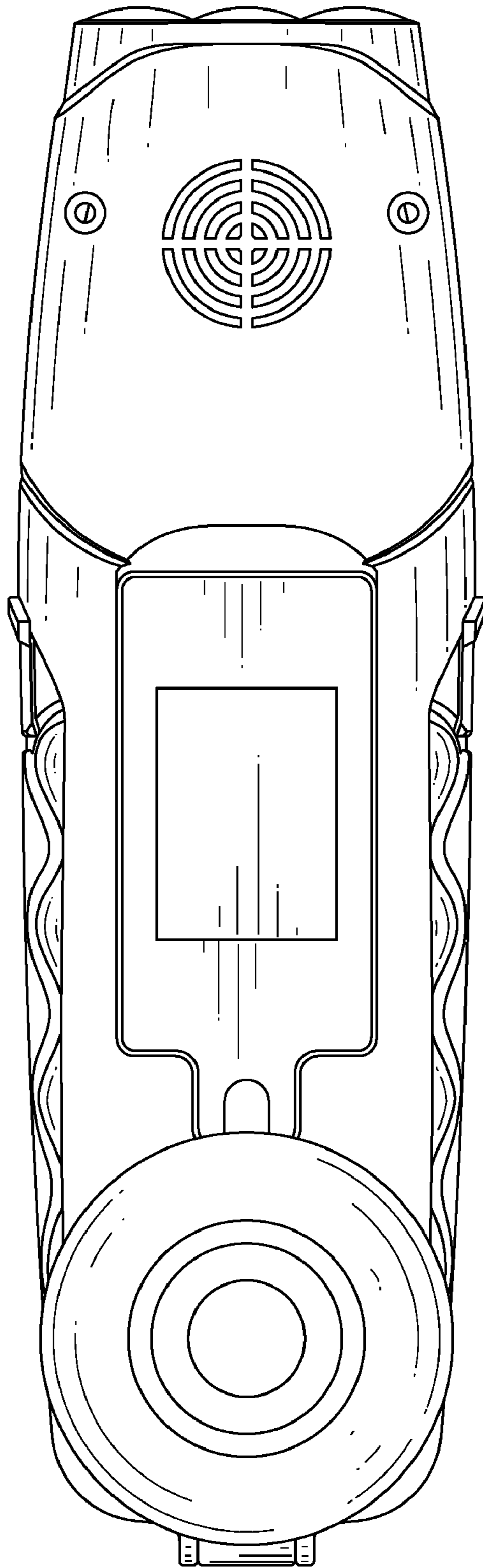


FIG. 7