

US00D549363S

(12) **United States Design Patent** (10) **Patent No.:** **US D549,363 S**  
**Pfeiffer** (45) **Date of Patent:** **\*\* Aug. 21, 2007**

(54) **TAILLIGHT FOR A VEHICLE**  
(75) Inventor: **Peter Pfeiffer**, Boeblingen (DE)  
(73) Assignee: **DaimlerChrysler AG**, Stuttgart (DE)  
(\*\*) Term: **14 Years**

(21) Appl. No.: **29/271,441**  
(22) Filed: **Jan. 19, 2007**

(30) **Foreign Application Priority Data**  
Jul. 21, 2006 (DE) ..... 4 06 03 825

(51) **LOC (8) Cl.** ..... **26-06**  
(52) **U.S. Cl.** ..... **D26/28**  
(58) **Field of Classification Search** ..... D26/28-36;  
362/459-468, 475-478, 485-487  
See application file for complete search history.

(56) **References Cited**  
U.S. PATENT DOCUMENTS  
D498,013 S \* 11/2004 Pfeiffer ..... D26/28  
D523,976 S \* 6/2006 Pfeiffer et al. .... D26/28  
D538,452 S \* 3/2007 Pfeiffer ..... D26/28  
D539,450 S \* 3/2007 Pfeiffer ..... D26/28

\* cited by examiner

*Primary Examiner*—Marcus A. Jackson  
(74) *Attorney, Agent, or Firm*—Crowell & Moring LLP

(57) **CLAIM**

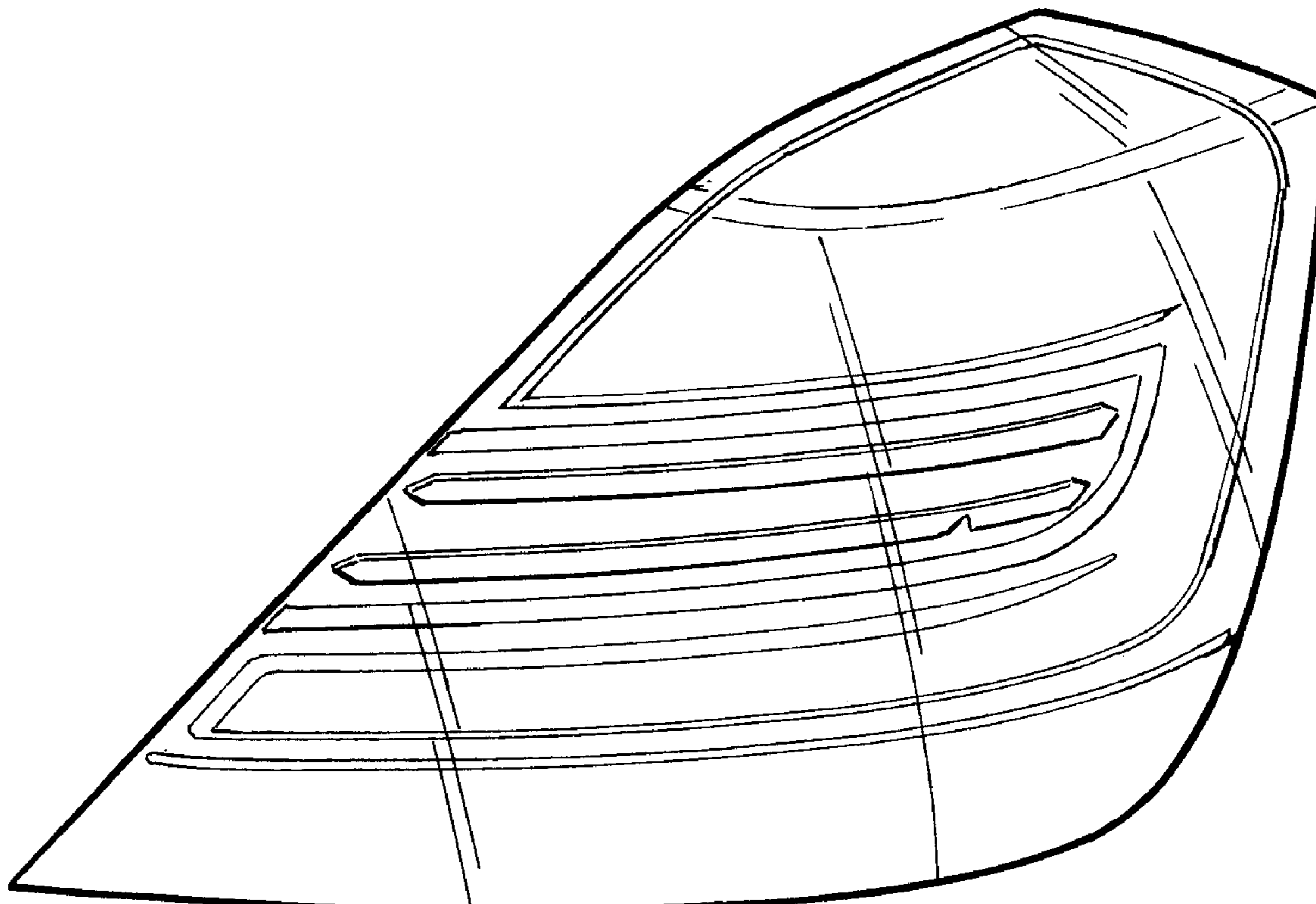
The ornamental design for a taillight for a vehicle, as shown and described.

**DESCRIPTION**

This application is related to the following co-pending applications, of the inventor, filed on even date herewith: application Ser. No. 29/271,454, entitled “Vehicle, Toy, and/or Other Replicas”; and application Ser. No. 29/271,453, entitled “Vehicle, Toy, and/or Other Replicas”.

FIG. 1 is a perspective view of a first embodiment of a taillight for a vehicle according to my novel design;  
FIG. 2 is an elevated perspective view thereof;  
FIG. 3 is a front view thereof; and  
FIG. 4 is a side view thereof.  
FIG. 5 is a perspective view of a second embodiment of the taillight for a vehicle according to my novel design;  
FIG. 6 is an elevated perspective view thereof;  
FIG. 7 is a front view thereof; and,  
FIG. 8 is a side view thereof.

**1 Claim, 4 Drawing Sheets**



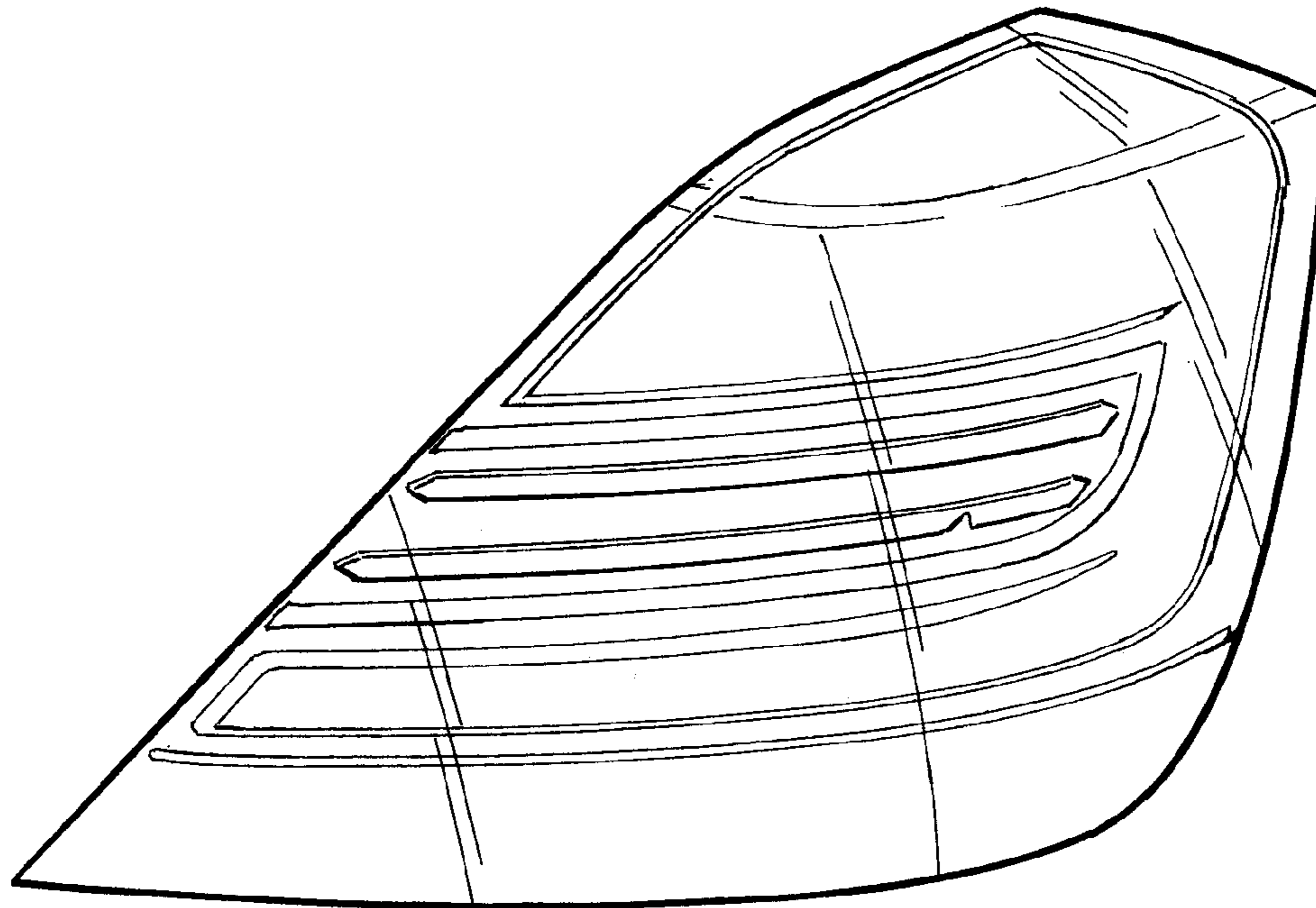


FIG. 1

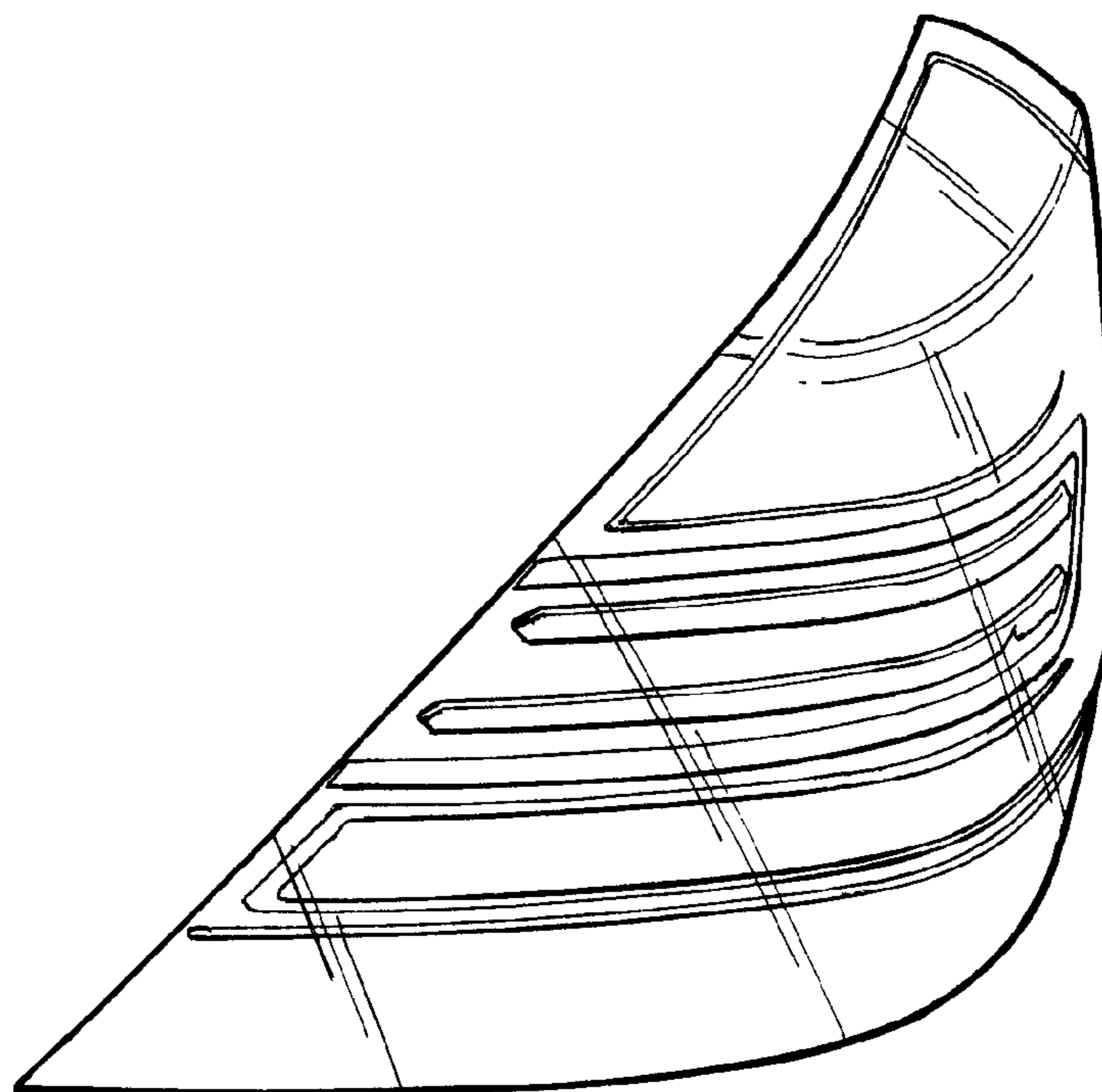


FIG. 2

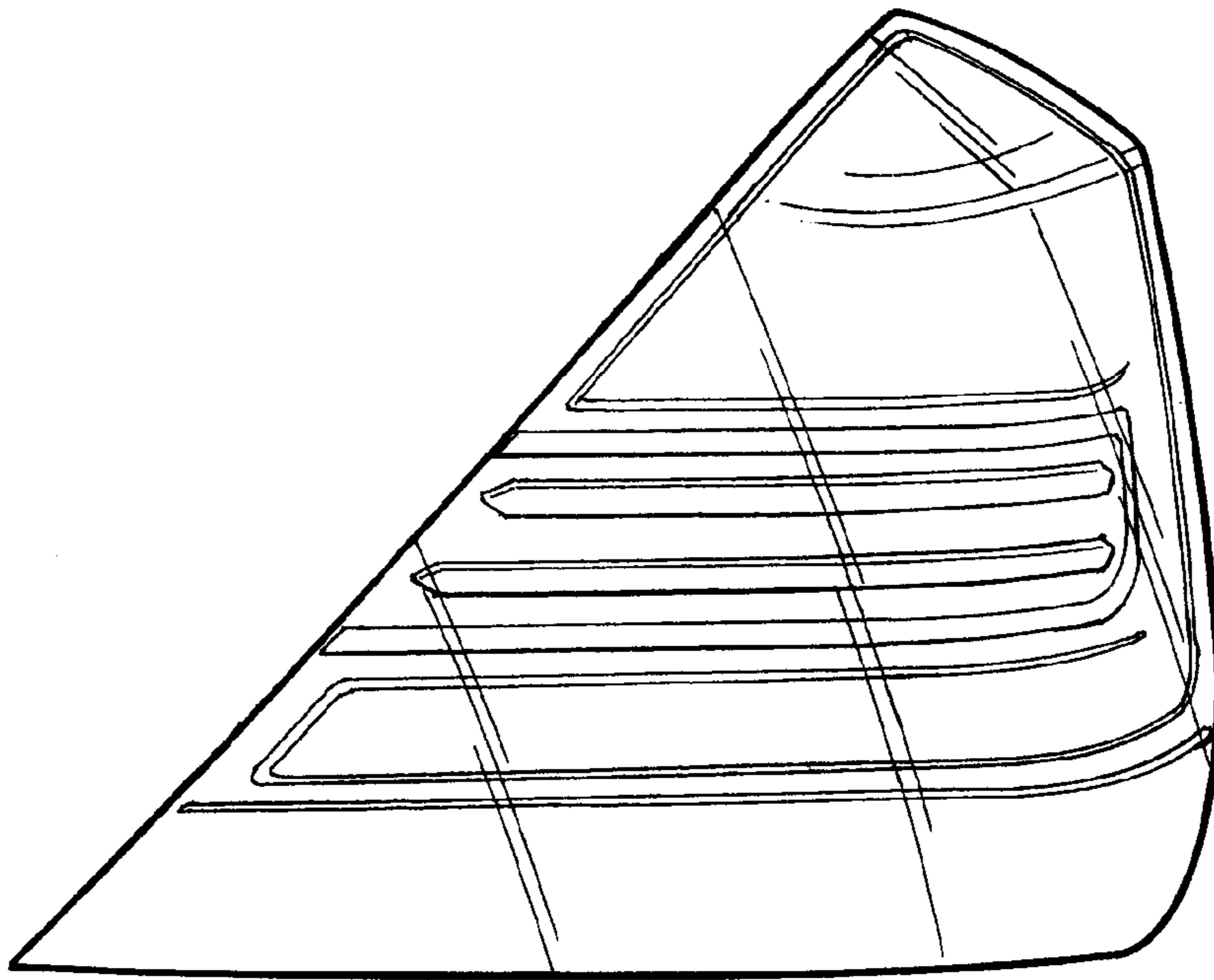


FIG. 3

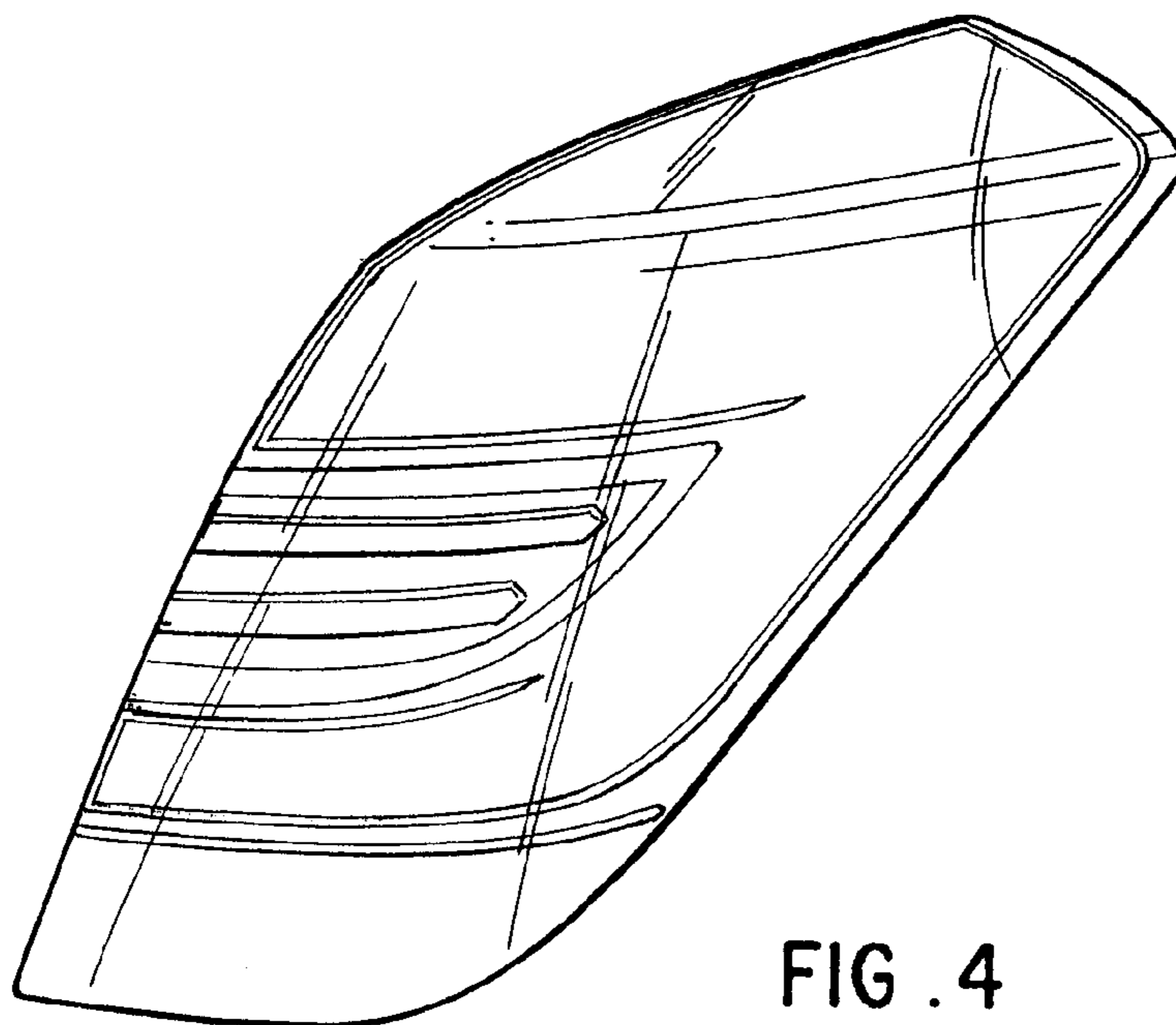


FIG. 4

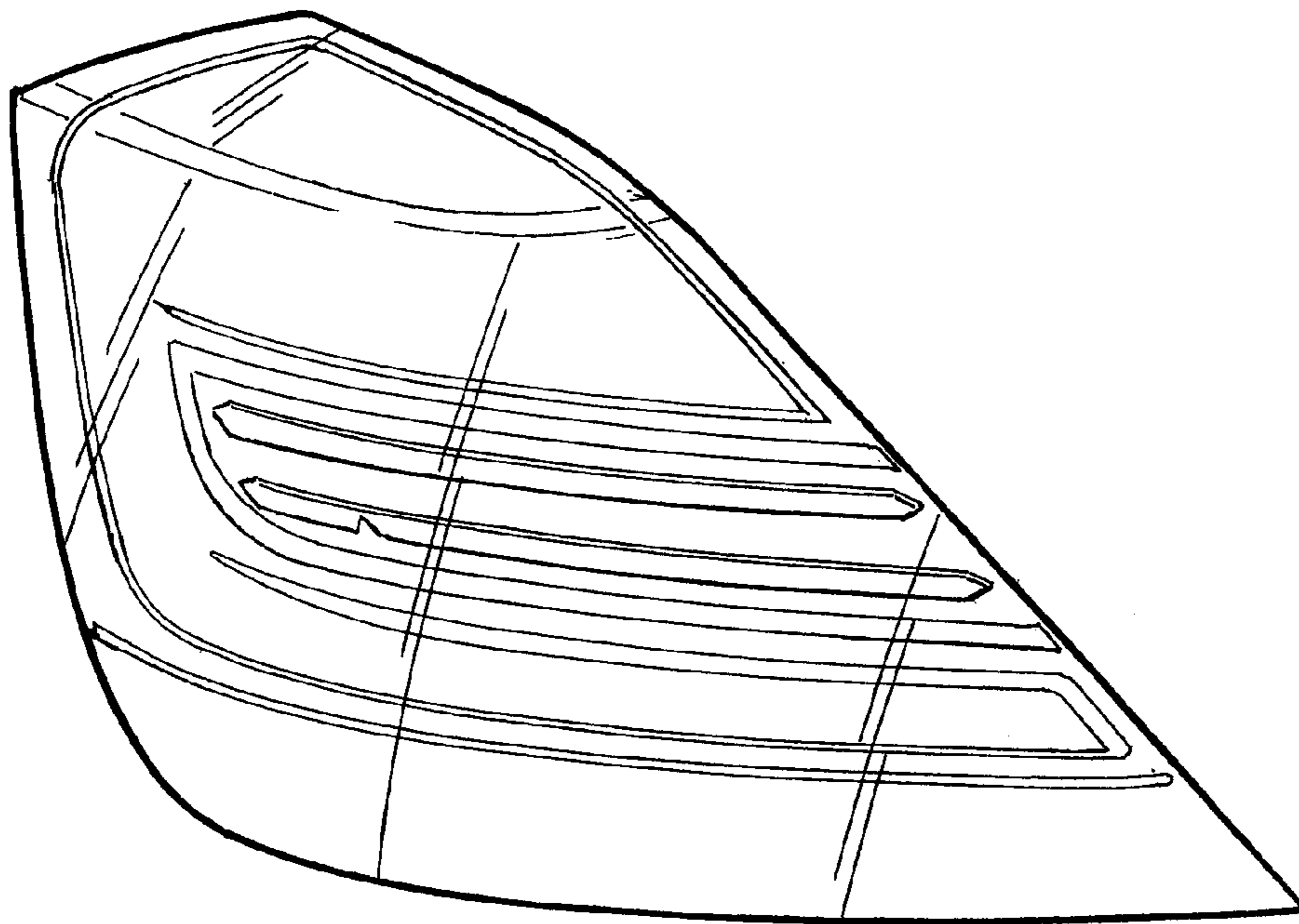


FIG. 5

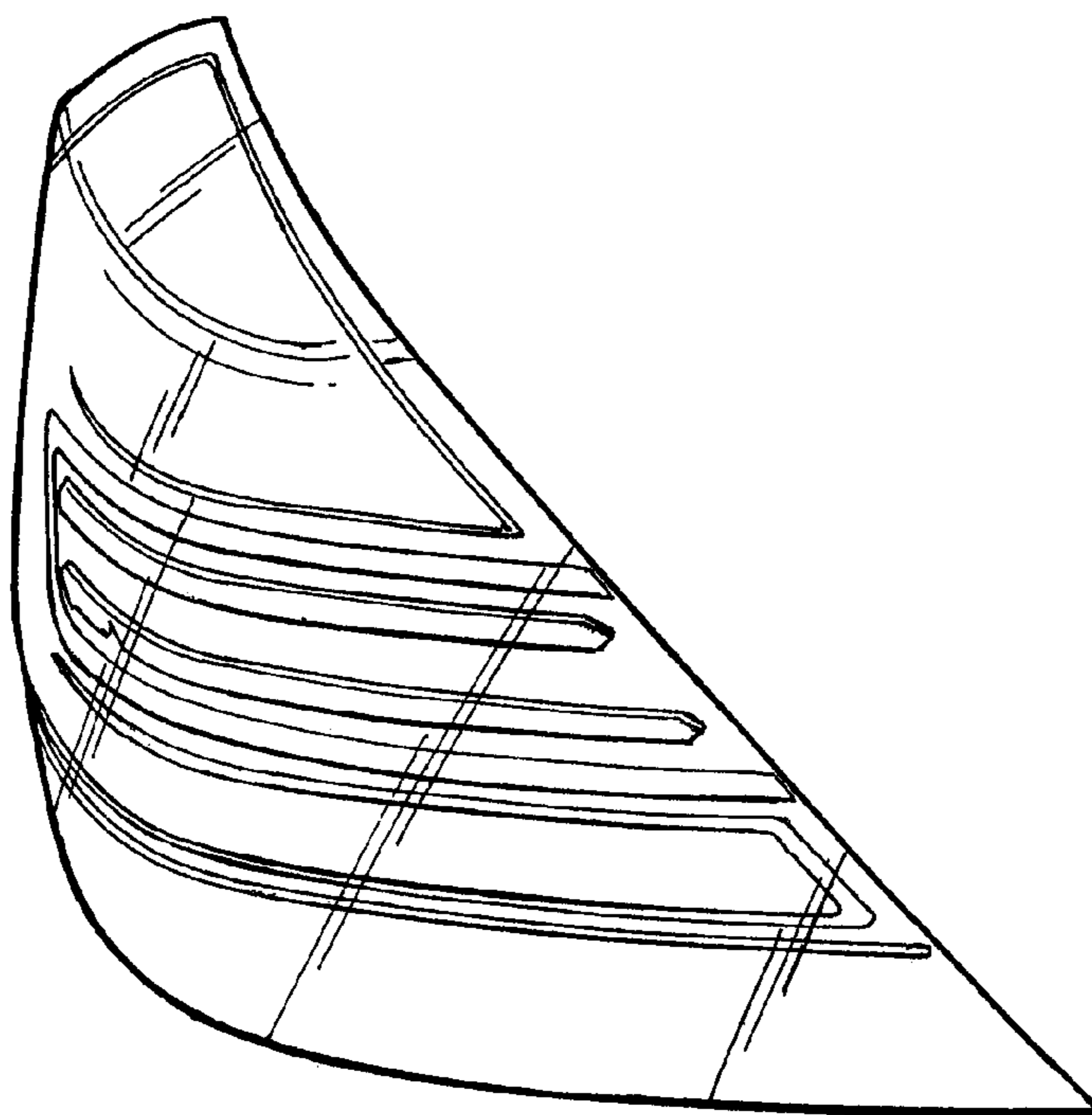


FIG. 6



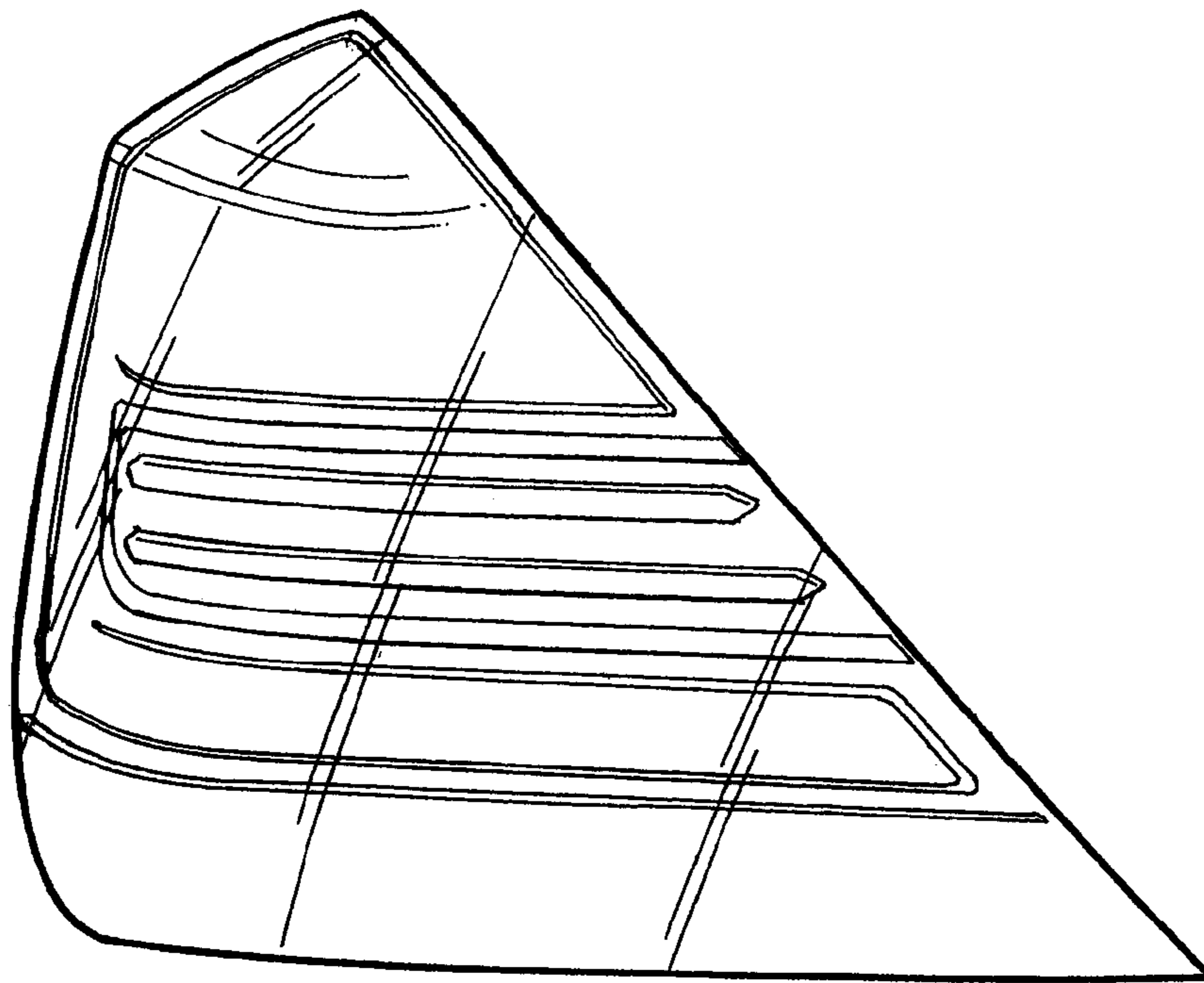


FIG. 7

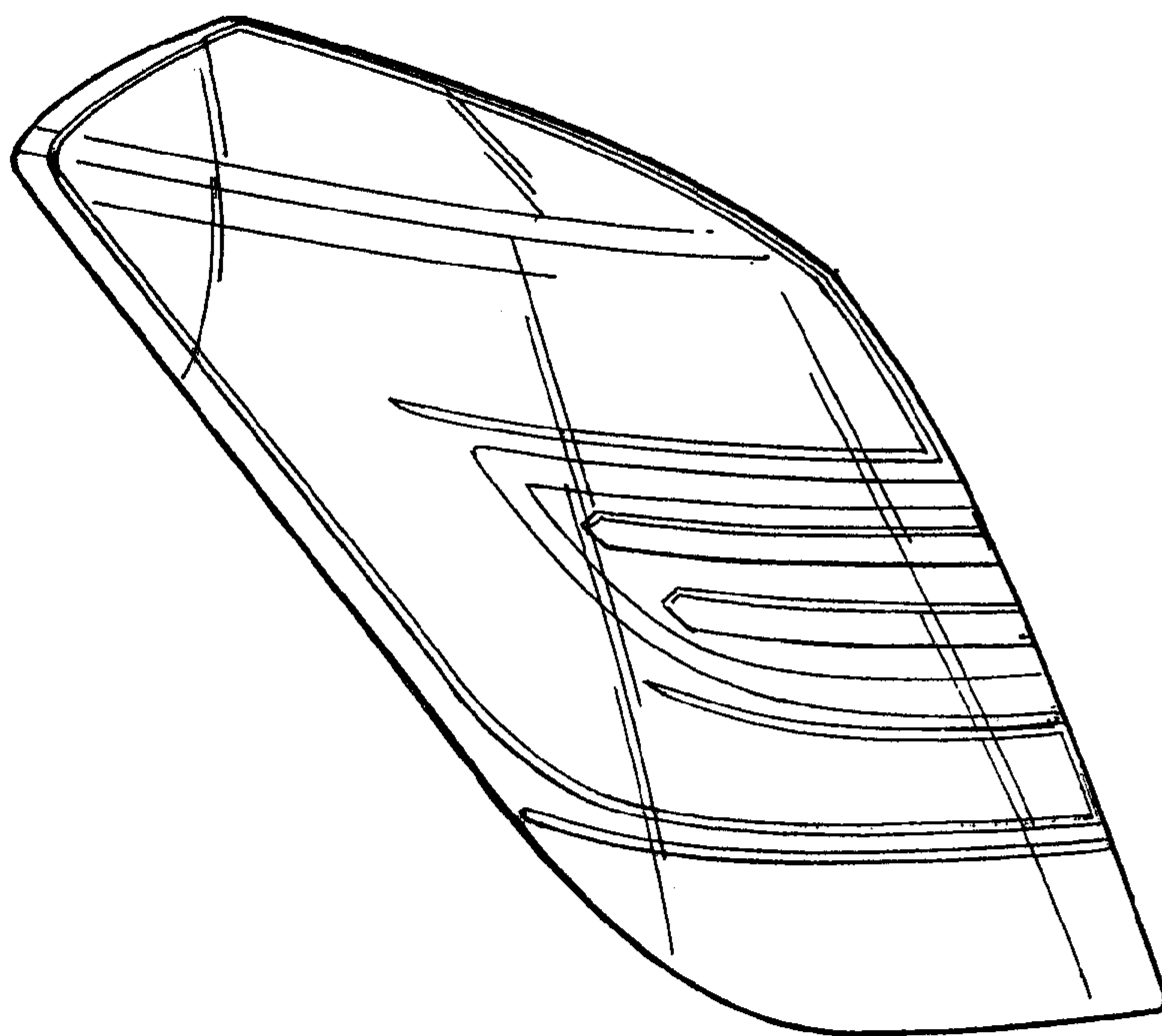


FIG. 8