

US00D549359S

(12) **United States Design Patent**
Warmolts et al.

(10) **Patent No.:** **US D549,359 S**

(45) **Date of Patent:** **** Aug. 21, 2007**

(54) **FIRE STOP**

(75) Inventors: **Jeffrey Warmolts**, Glen Ellyn, IL (US);
Sigismund Paul, Hanover, IL (US)

(73) Assignee: **Building Connections, LLC**, Winfield,
IL (US)

(**) Term: **14 Years**

(21) Appl. No.: **29/238,784**

(22) Filed: **Sep. 21, 2005**

(51) **LOC (8) Cl.** **25-99**

(52) **U.S. Cl.** **D25/199**

(58) **Field of Classification Search** D25/199;
52/219, 220.8, 232, 1, 298, 317; 285/415;
137/72, 75, 527.8, 360; 277/607; 138/106,
138/110; D29/129, 130; D8/352, 354, 356,
D8/382, 394, 395, 396, 499, 107; 248/579,
248/346.01, 49, 325, 56, 57, 230, 231.5;
251/149.2

See application file for complete search history.

(56) **References Cited**

U.S. PATENT DOCUMENTS

1,646,639 A * 10/1927 Crowell 285/123.4

4,488,388 A * 12/1984 Schmidt 52/220.8
D296,465 S * 6/1988 Mendoza D23/214
5,301,475 A * 4/1994 Stefely 52/1
5,816,554 A * 10/1998 McCracken 248/346.01
5,946,871 A * 9/1999 Kassardjian et al. 52/301
6,712,330 B1 * 3/2004 Damiano 248/519
6,863,253 B2 * 3/2005 Valentz et al. 248/519
7,010,889 B1 * 3/2006 Renfro 52/219

* cited by examiner

Primary Examiner—Louis S. Zarfaz

Assistant Examiner—Anna K. Dworzecka

(74) *Attorney, Agent, or Firm*—McDonnell Boehnen
Hulbert & Berghoff LLP

(57) **CLAIM**

The ornamental design for a fire stop, as shown and
described.

DESCRIPTION

FIG. 1: is a perspective view of a fire stop.

FIG. 2: is a front view of a fire stop as shown in FIG. 1.

FIG. 3: is a side view of a fire stop as shown in FIG. 1.

FIG. 4: is a top view of a fire stop as shown in FIG. 1; and,

FIG. 5: is a bottom view of a fire stop as shown in FIG. 1.

1 Claim, 2 Drawing Sheets

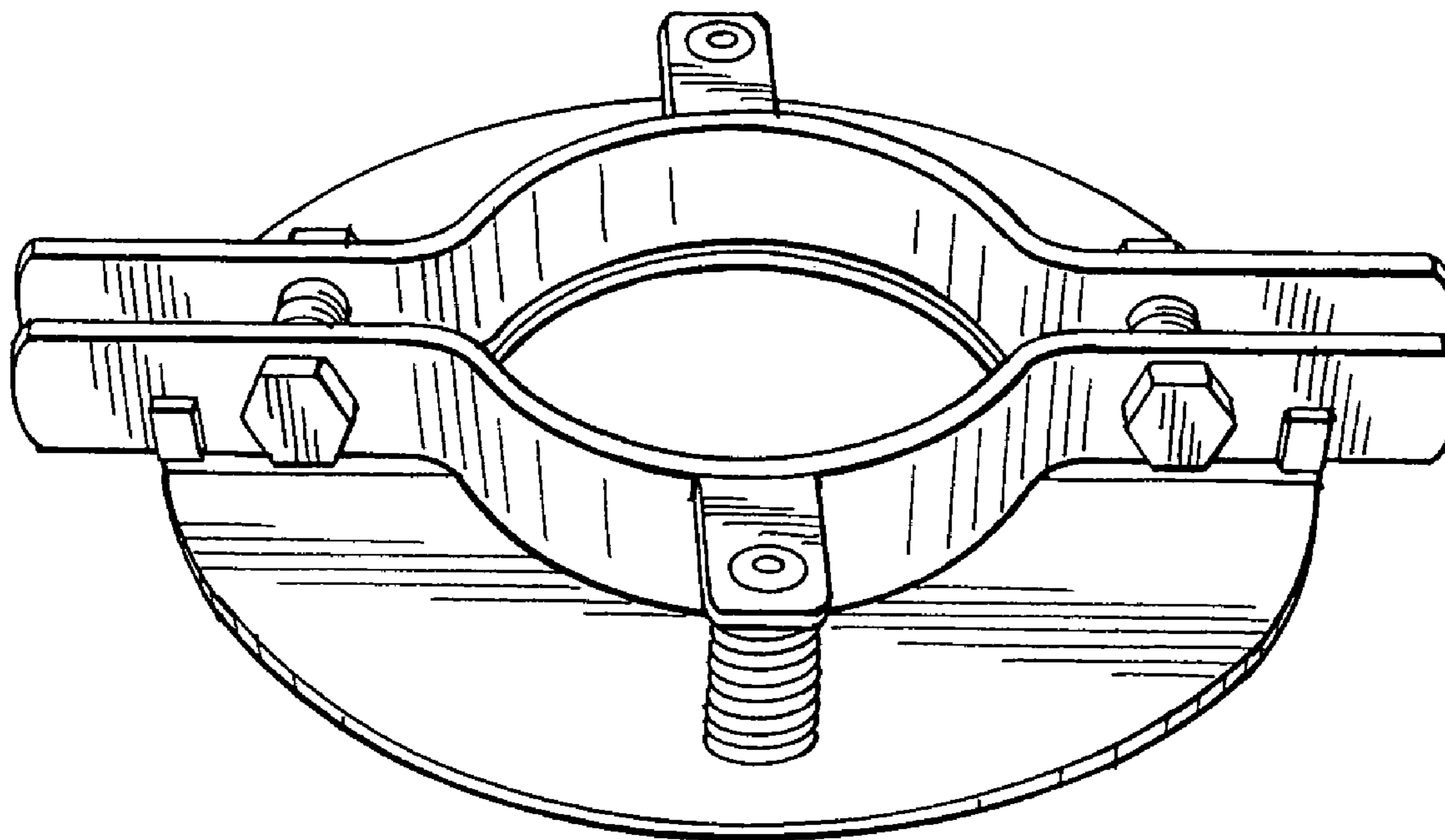


FIG. 1

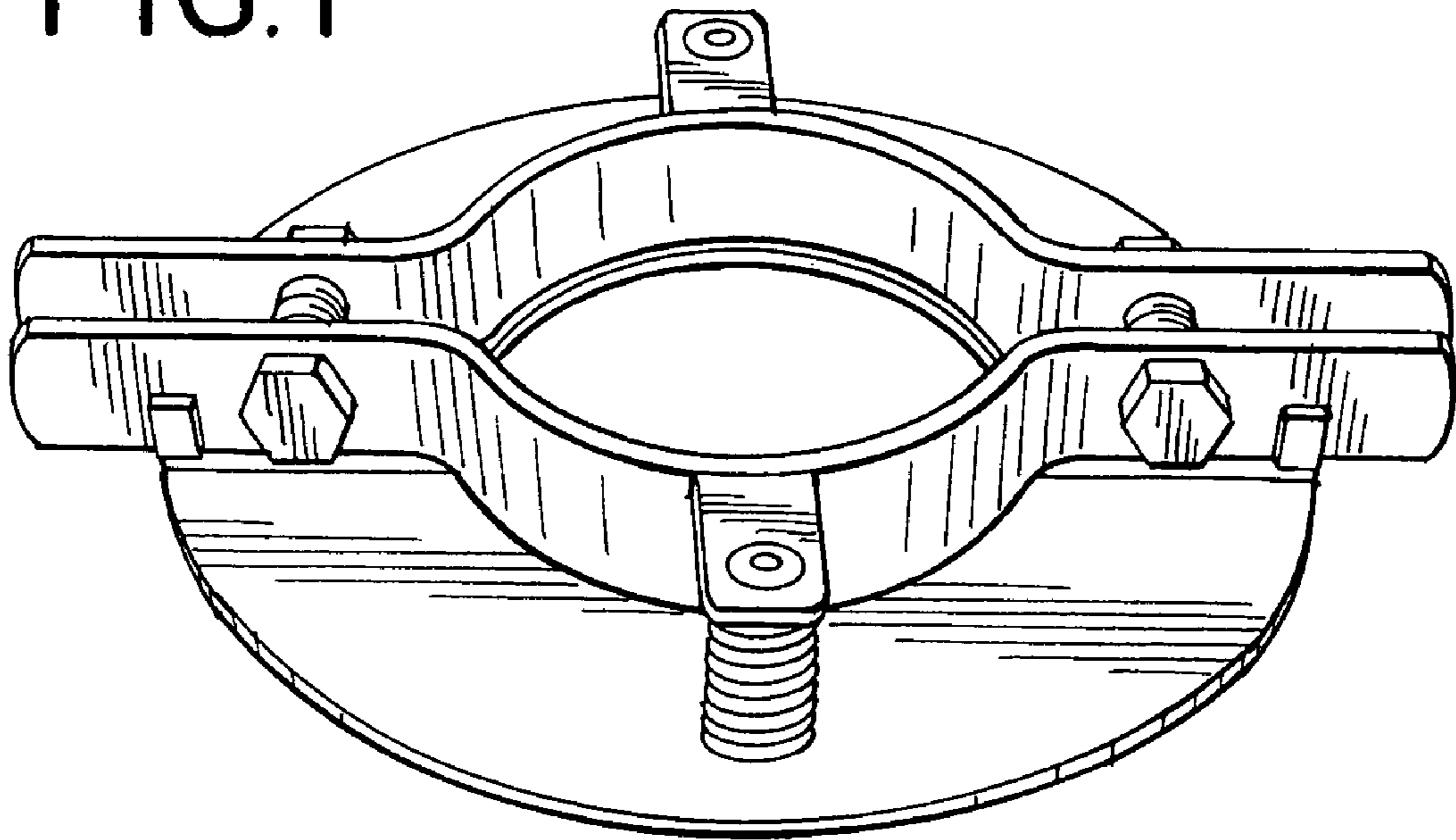


FIG. 2

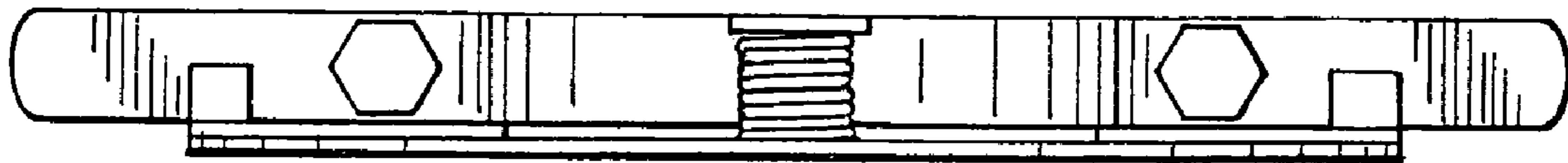


FIG. 3

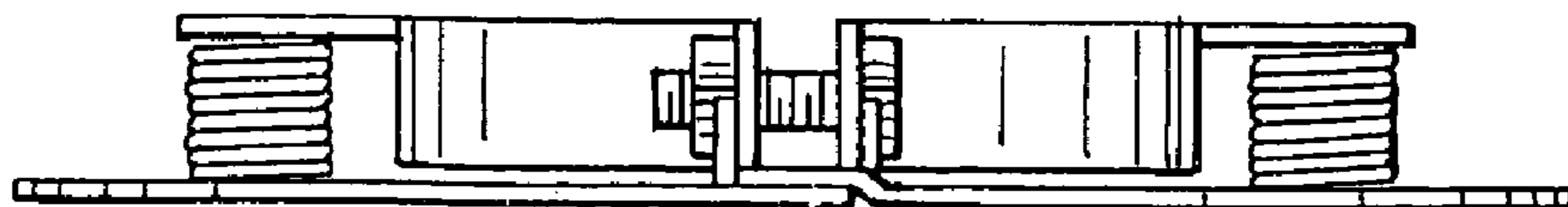


FIG. 4

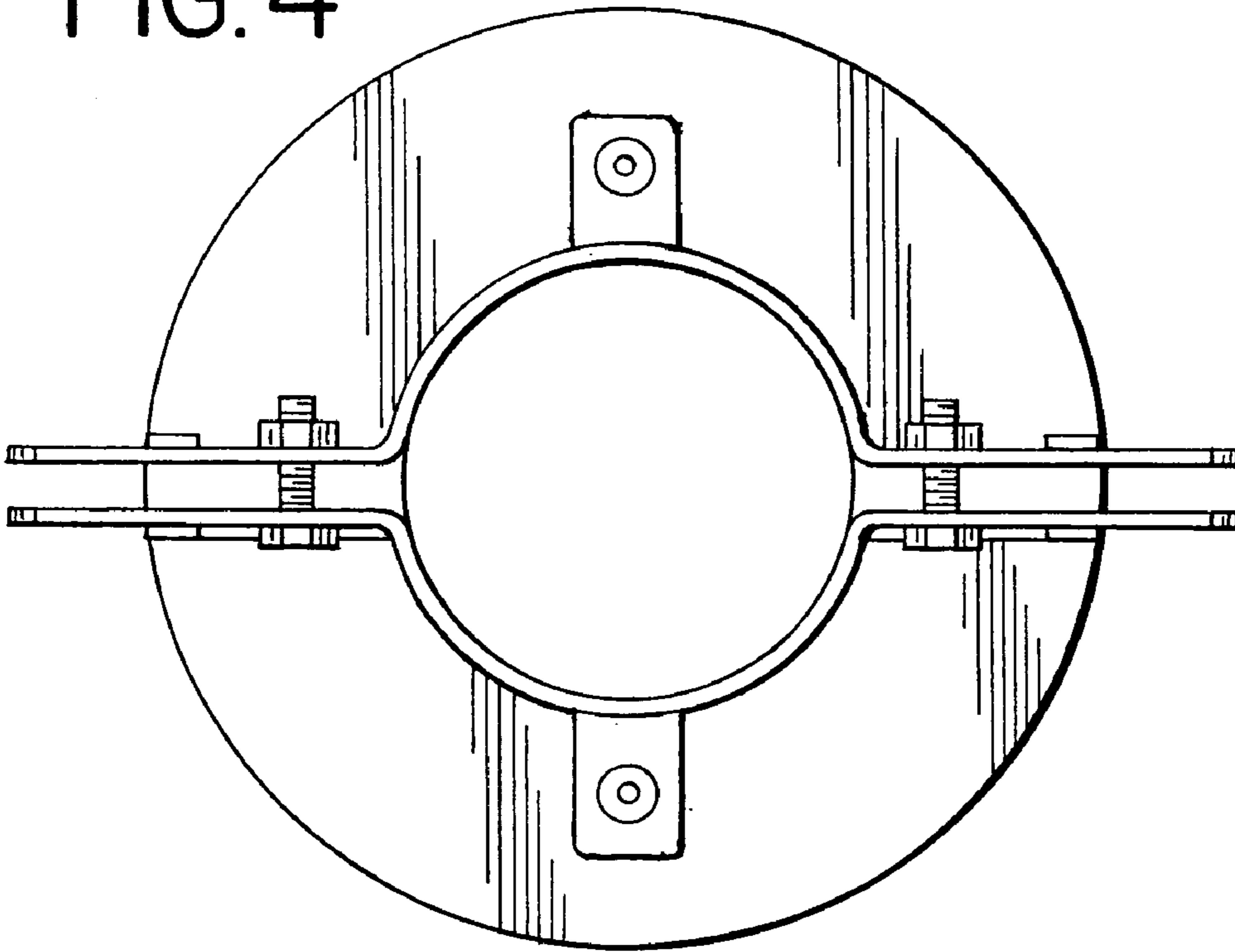


FIG. 5

