

US00D549358S

(12) **United States Design Patent**
Hing

(10) **Patent No.:** **US D549,358 S**

(45) **Date of Patent:** **** Aug. 21, 2007**

(54) **SURFACE LOAD BEARING PANEL**

(76) Inventor: **Ally O. Hing**, P.O. Box A, Superior,
AZ (US) 85273

(**) Term: **14 Years**

(21) Appl. No.: **29/251,382**

(22) Filed: **Jan. 6, 2006**

(51) **LOC (8) Cl.** **25-01**

(52) **U.S. Cl.** **D25/138**

(58) **Field of Classification Search** D25/138,
D25/150, 157, 119, 121; 52/311.2, 314,
52/316, 384, 389, 309.3, 716.1, 741.1
See application file for complete search history.

(56) **References Cited**

U.S. PATENT DOCUMENTS

D222,240 S *	10/1971	Ottinger	D25/150
D241,338 S *	9/1976	Bogin	D25/150
4,141,187 A *	2/1979	Graves	52/173.1
D525,373 S *	7/2006	Reisman	D25/157
D533,284 S *	12/2006	Bledsoe et al.	D25/138

D538,446 S *	3/2007	Murdock	D25/119
2004/0237454 A1 *	12/2004	Nelson	52/716.1
2006/0174566 A1 *	8/2006	Tsukada	52/384

* cited by examiner

Primary Examiner—Catherine R. Oliver

(74) *Attorney, Agent, or Firm*—Frank J. McGue

(57) **CLAIM**

The ornamental design for a surface load bearing panel, as shown and described.

DESCRIPTION

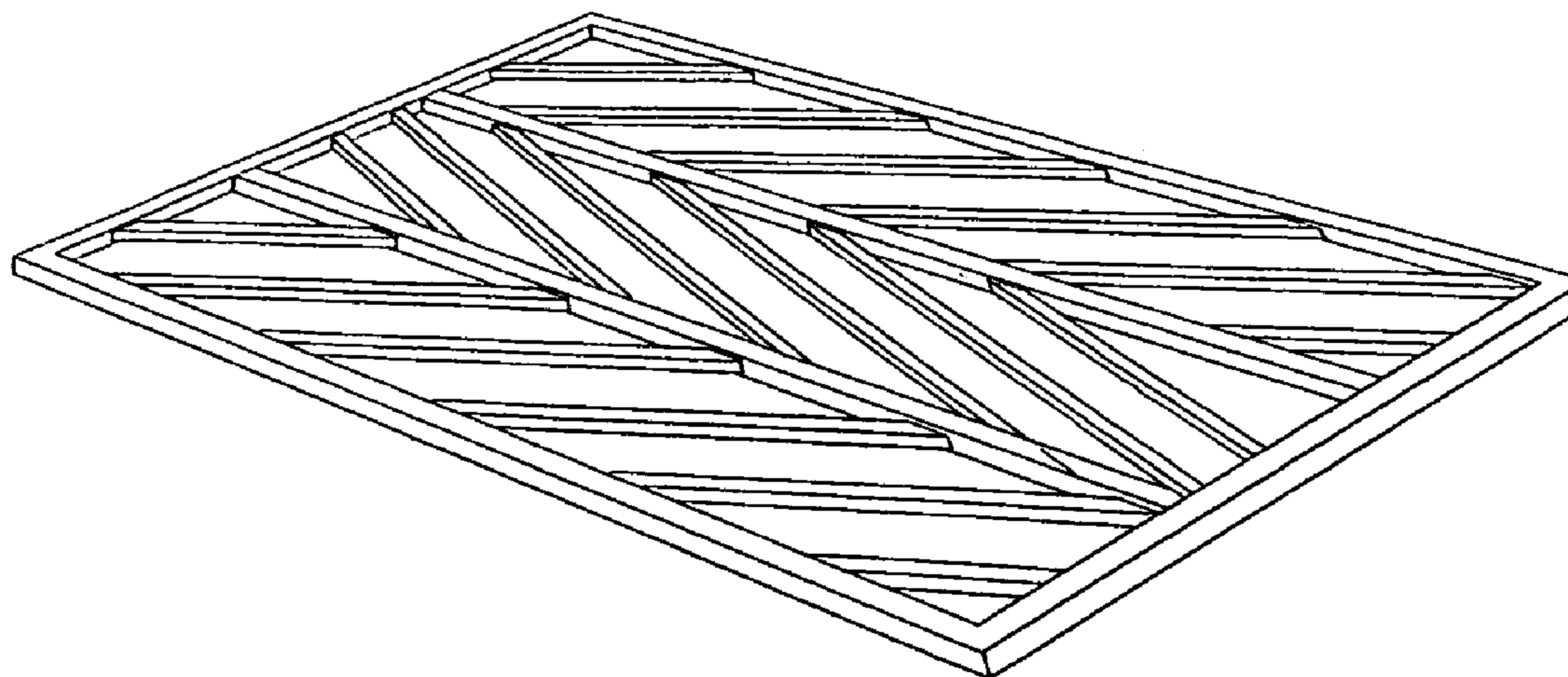
FIG. 1 is a perspective side, top and front view of a surface load bearing panel showing my new design;

FIG. 2 is a top view of FIG. 1, the bottom view being a mirror image thereof;

FIG. 3 is a left side view of FIG. 1, the right side view being a mirror image thereof; and,

FIG. 4 is a front side view of FIG. 1, the rear side view being a mirror image thereof.

1 Claim, 1 Drawing Sheet



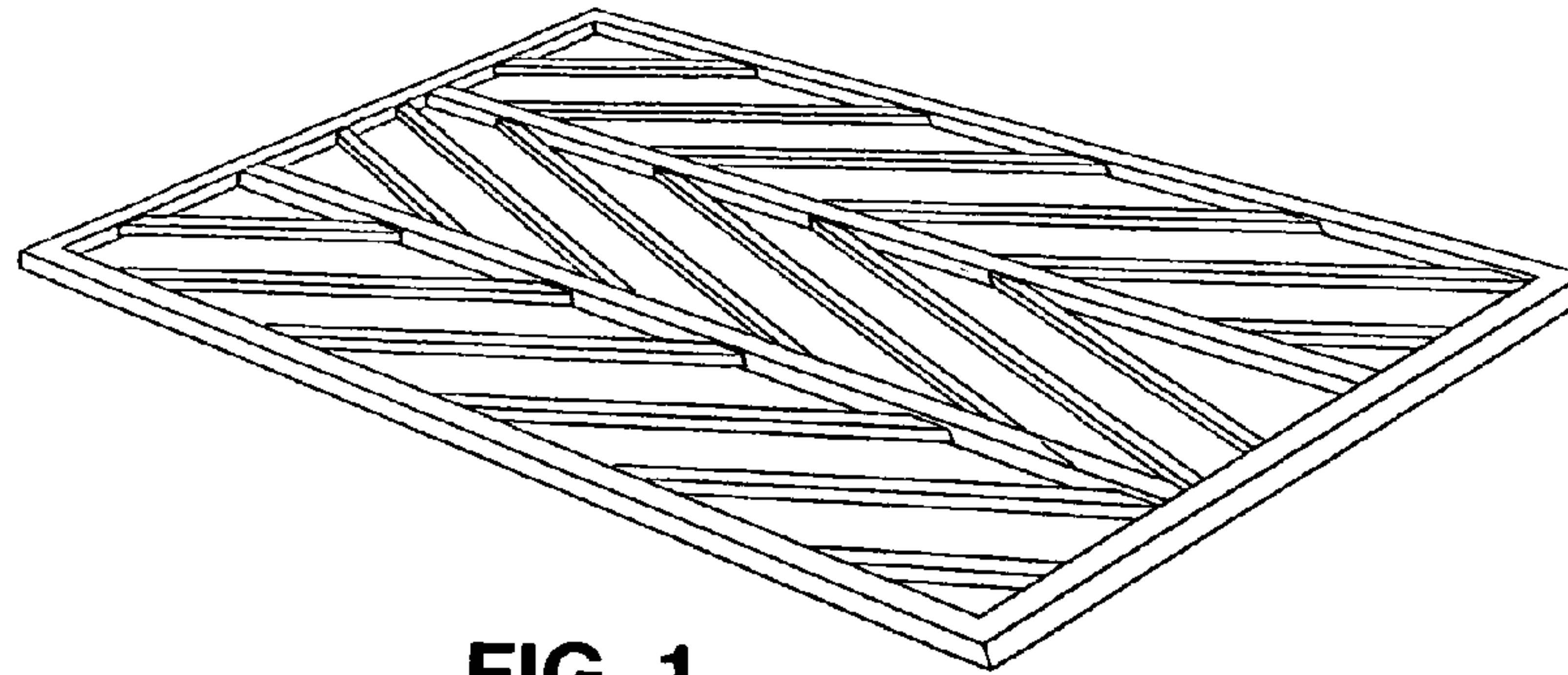


FIG. 1.

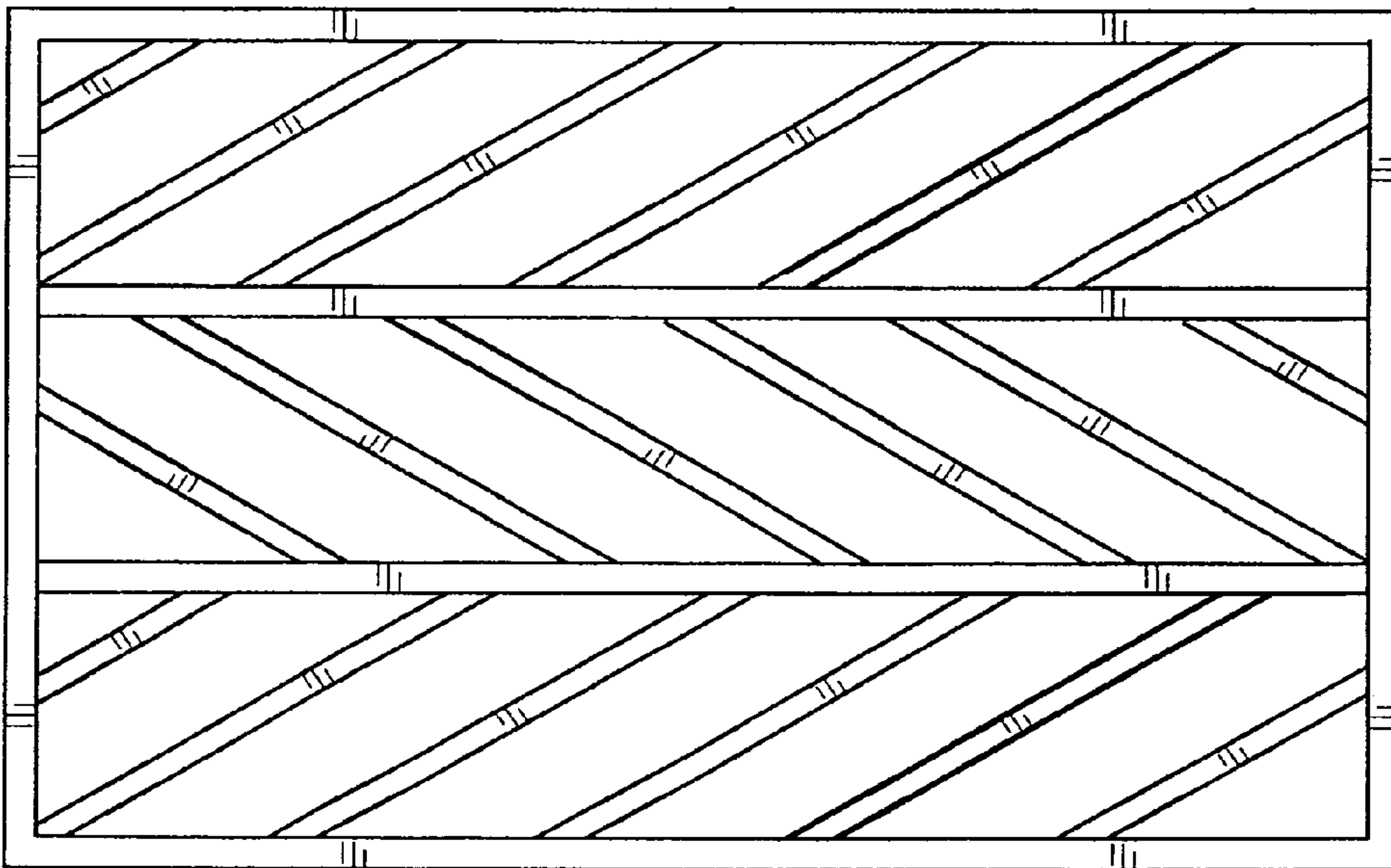


FIG. 2.



FIG. 4.

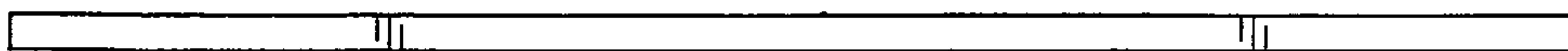


FIG. 3.