



US00D549355S

(12) **United States Design Patent** (10) **Patent No.:** **US D549,355 S**  
**Gray** (45) **Date of Patent:** **\*\* Aug. 21, 2007**

(54) **SOUNDPROOF ENCLOSURE**

(57) **CLAIM**

(76) Inventor: **Sherrill J. Gray**, 628 W. Sequoyah Ave., Vinita, OK (US) 74301

The ornamental design for a soundproof enclosure, as shown and described.

(\*\*) Term: **14 Years**

**DESCRIPTION**

(21) Appl. No.: **29/268,233**

FIG. 1 is a perspective view of a soundproof enclosure illustrated in its closed position, showing my new design;

(22) Filed: **Nov. 1, 2006**

FIG. 2 is a right side elevation view of the soundproof enclosure of FIG. 1, the left side elevation view being a mirror image thereof;

(51) **LOC (8) Cl.** ..... **25-02**

(52) **U.S. Cl.** ..... **D25/58**

(58) **Field of Classification Search** ..... D25/58, D25/1, 16-35; 181/284, 287, 295, 198; 52/144-145  
See application file for complete search history.

FIG. 3 is a top plan view of the soundproof enclosure of FIG. 1;

(56) **References Cited**

**U.S. PATENT DOCUMENTS**

D485,913 S \* 1/2004 Gray ..... D25/58

D511,387 S \* 11/2005 Beach ..... D25/1

FIG. 4 is a bottom plan view of the soundproof enclosure of FIG. 1;

FIG. 5 is a front elevation view of the soundproof enclosure of FIG. 1;

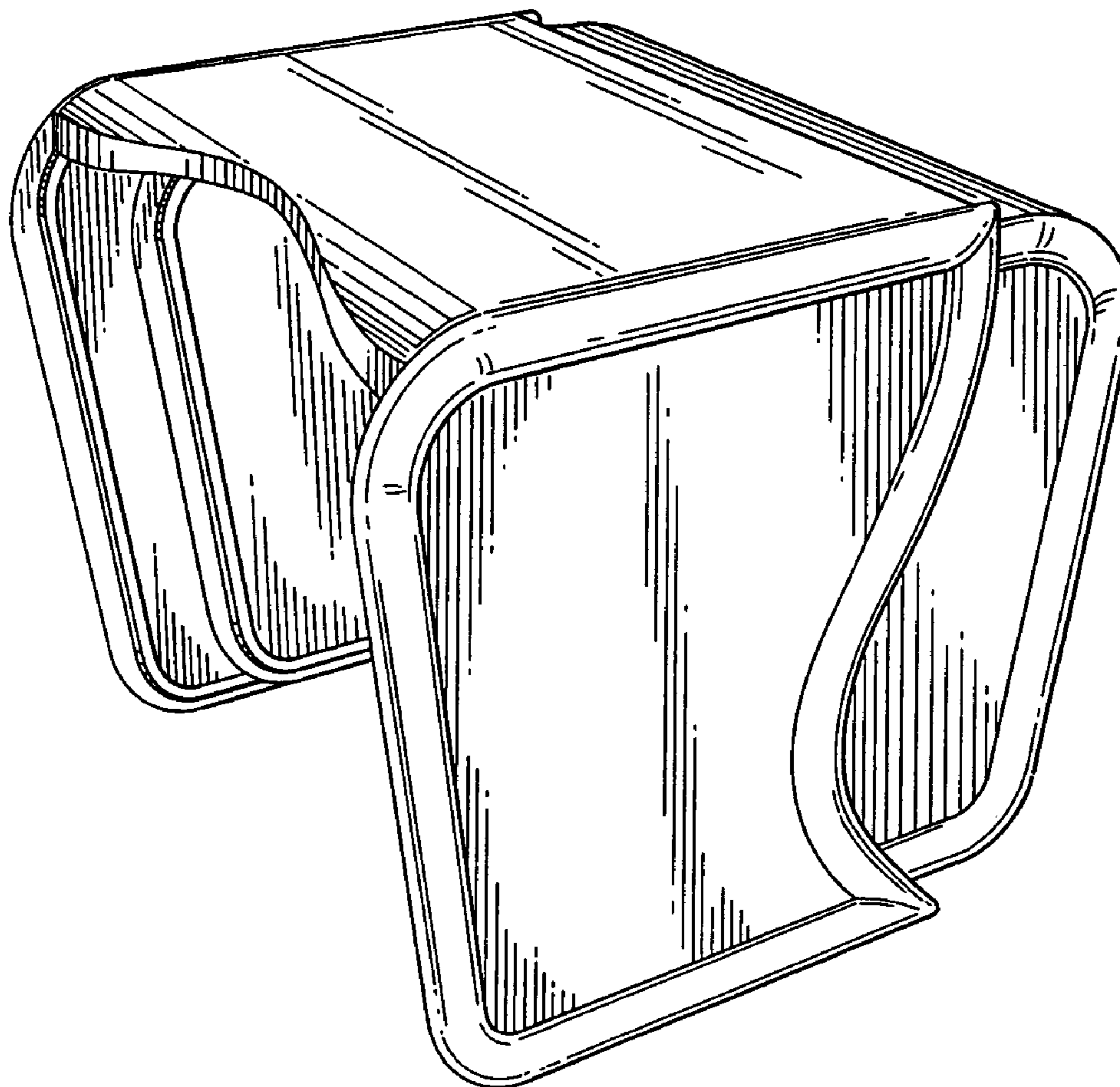
FIG. 6 is a rear elevation view of the soundproof enclosure of FIG. 1; and,

\* cited by examiner

FIG. 7 is a perspective view of the soundproof enclosure of FIG. 1 in its open position.

*Primary Examiner*—Catherine R. Oliver  
(74) *Attorney, Agent, or Firm*—William E. Hein

**1 Claim, 3 Drawing Sheets**



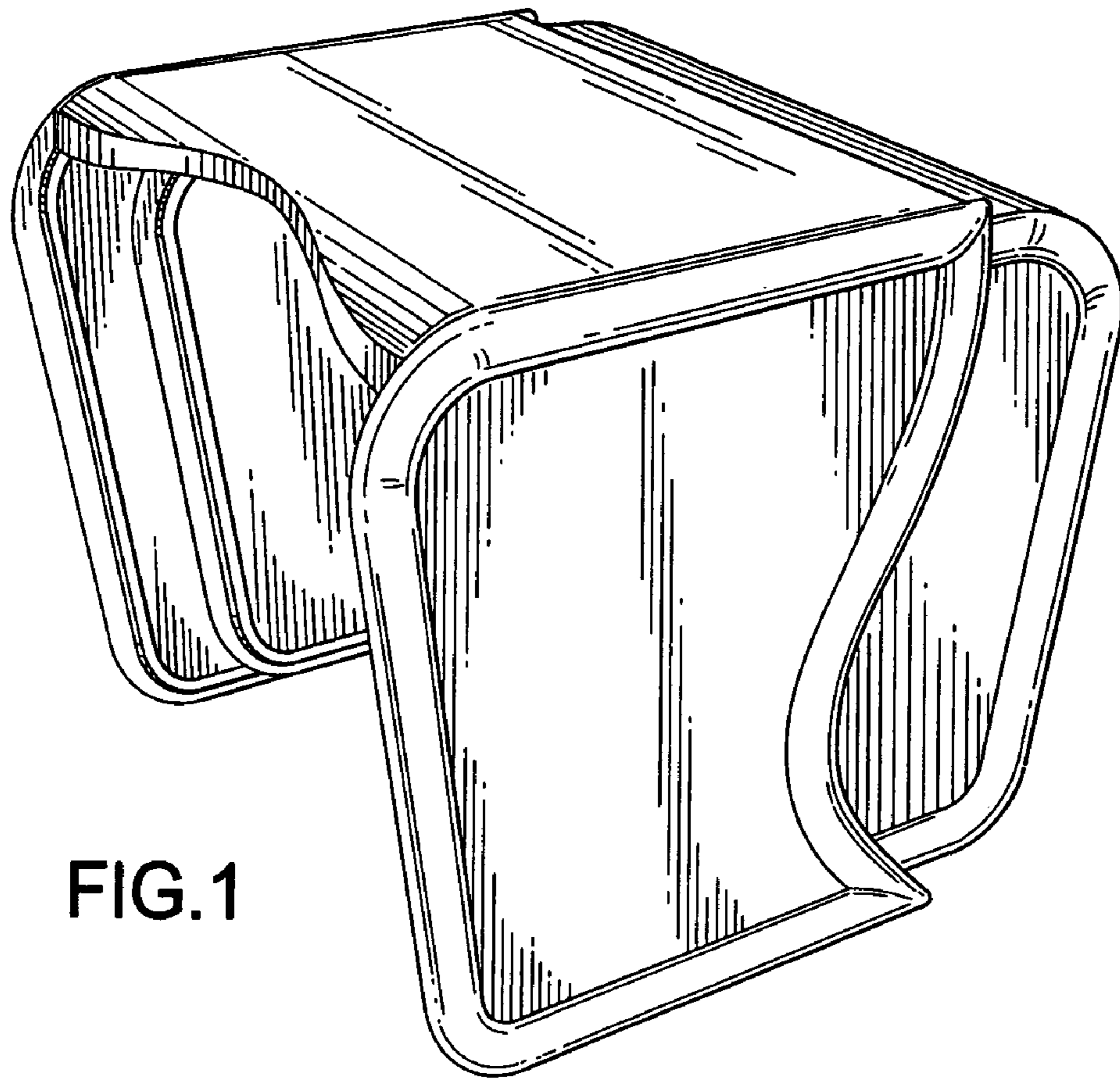


FIG. 1

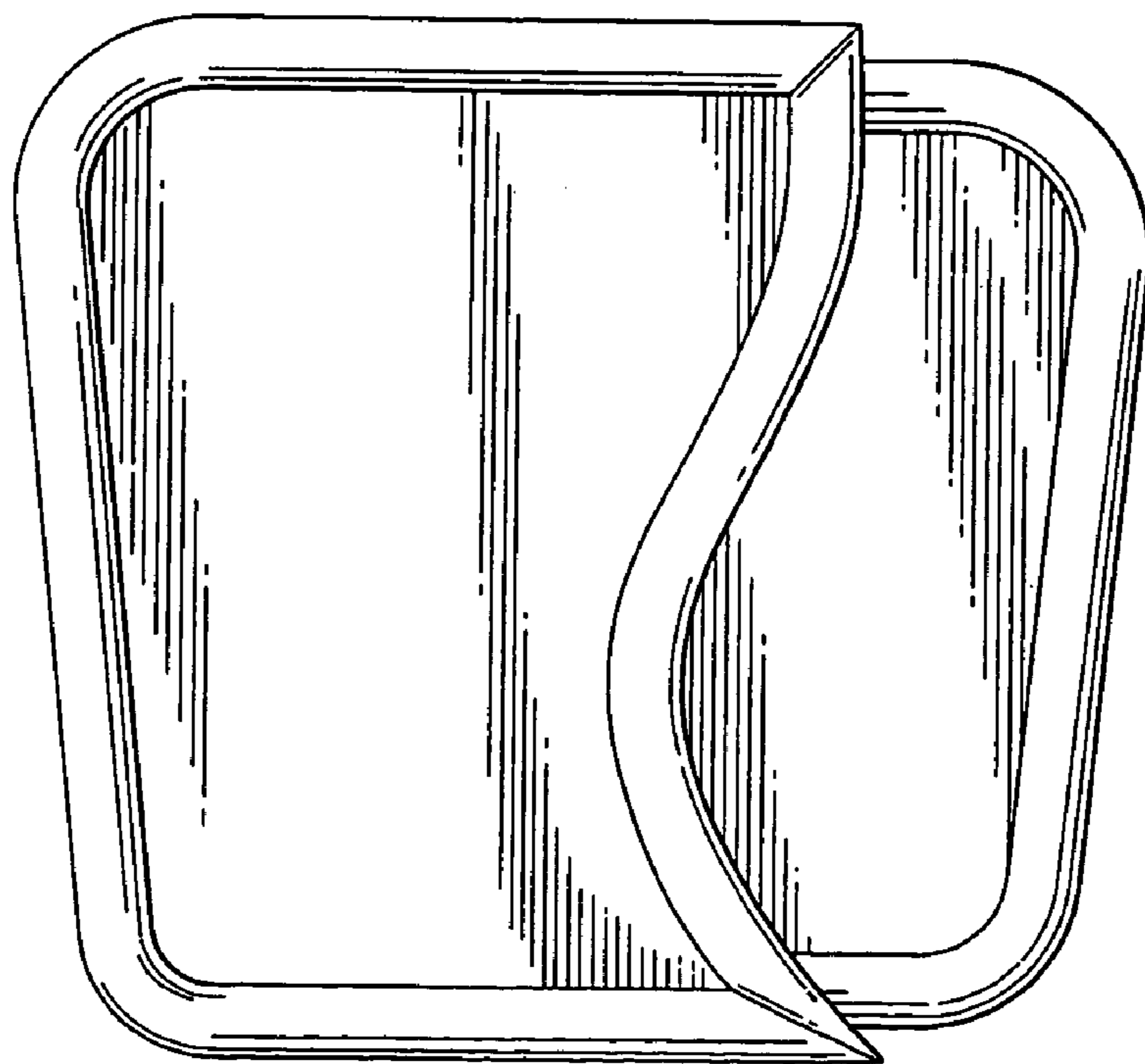


FIG. 2

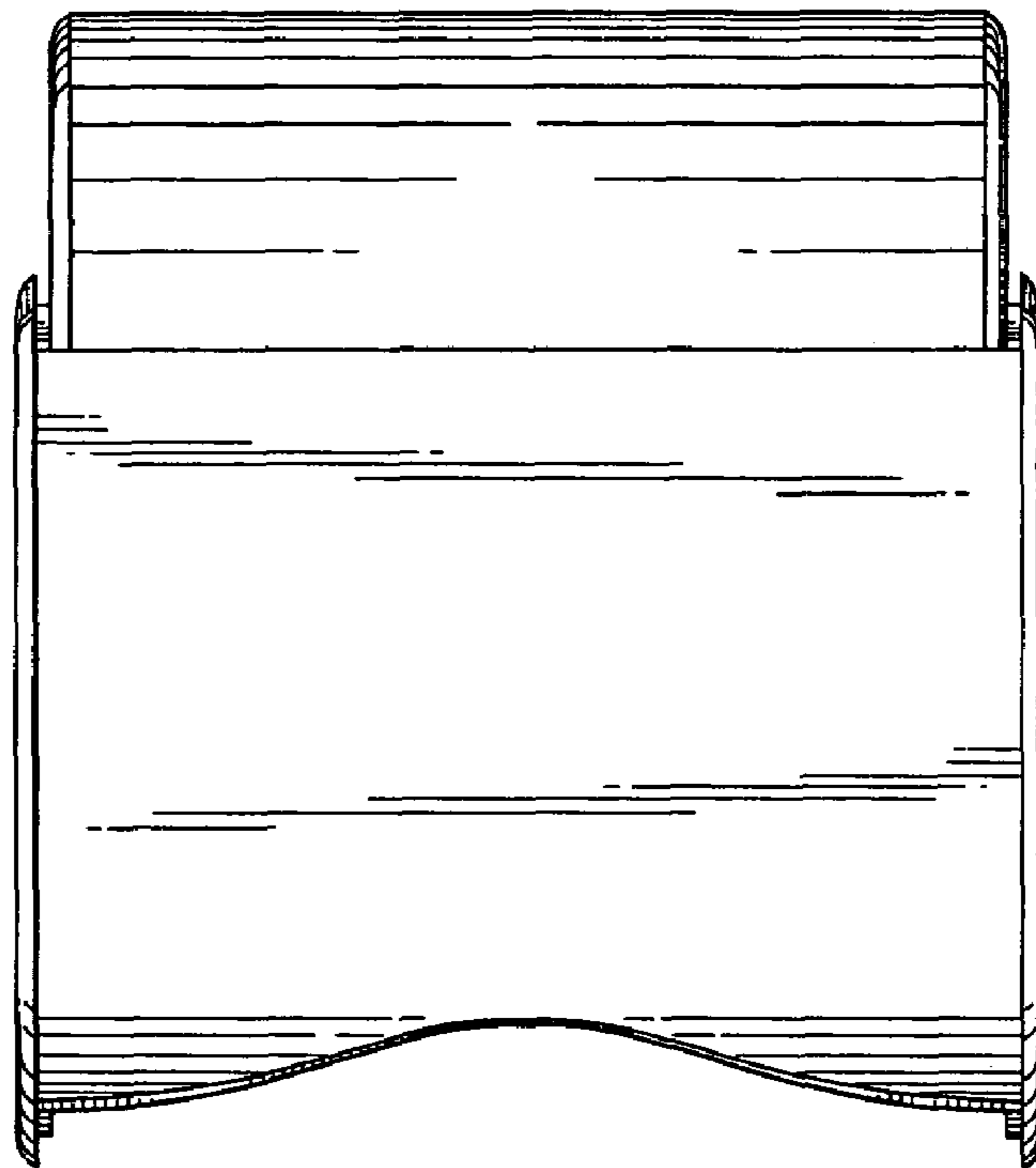


FIG.3

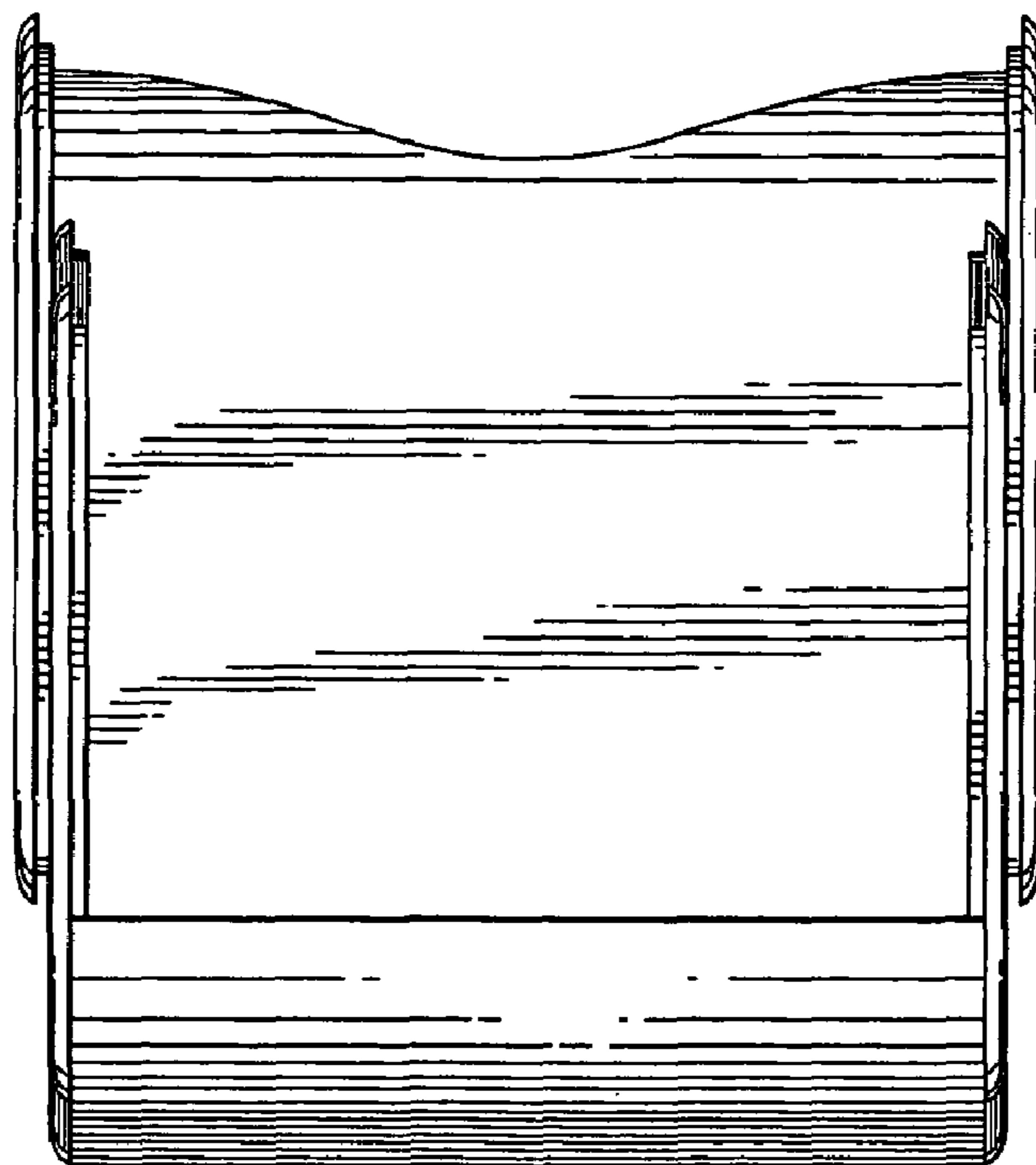


FIG.4

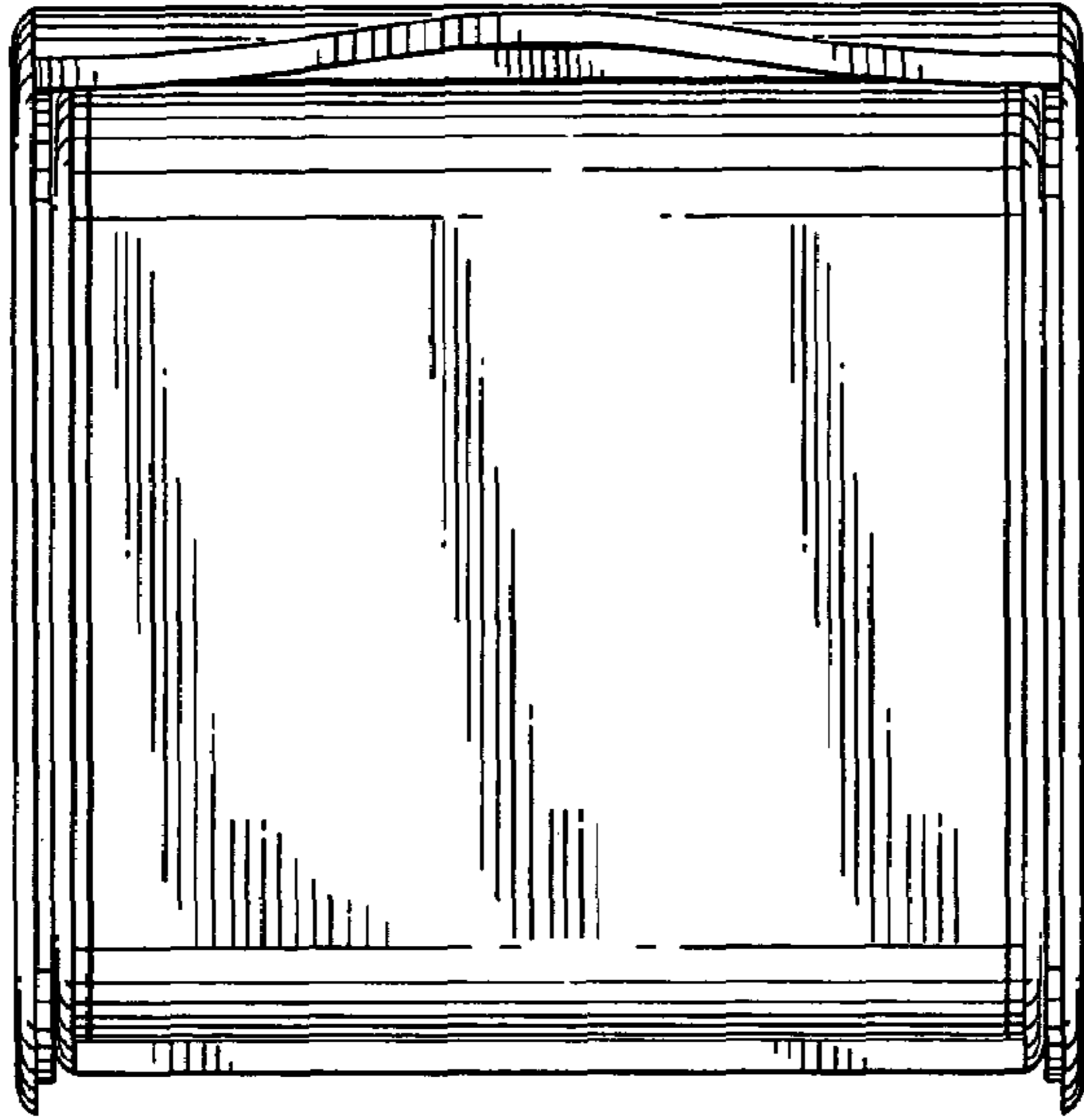


FIG. 5

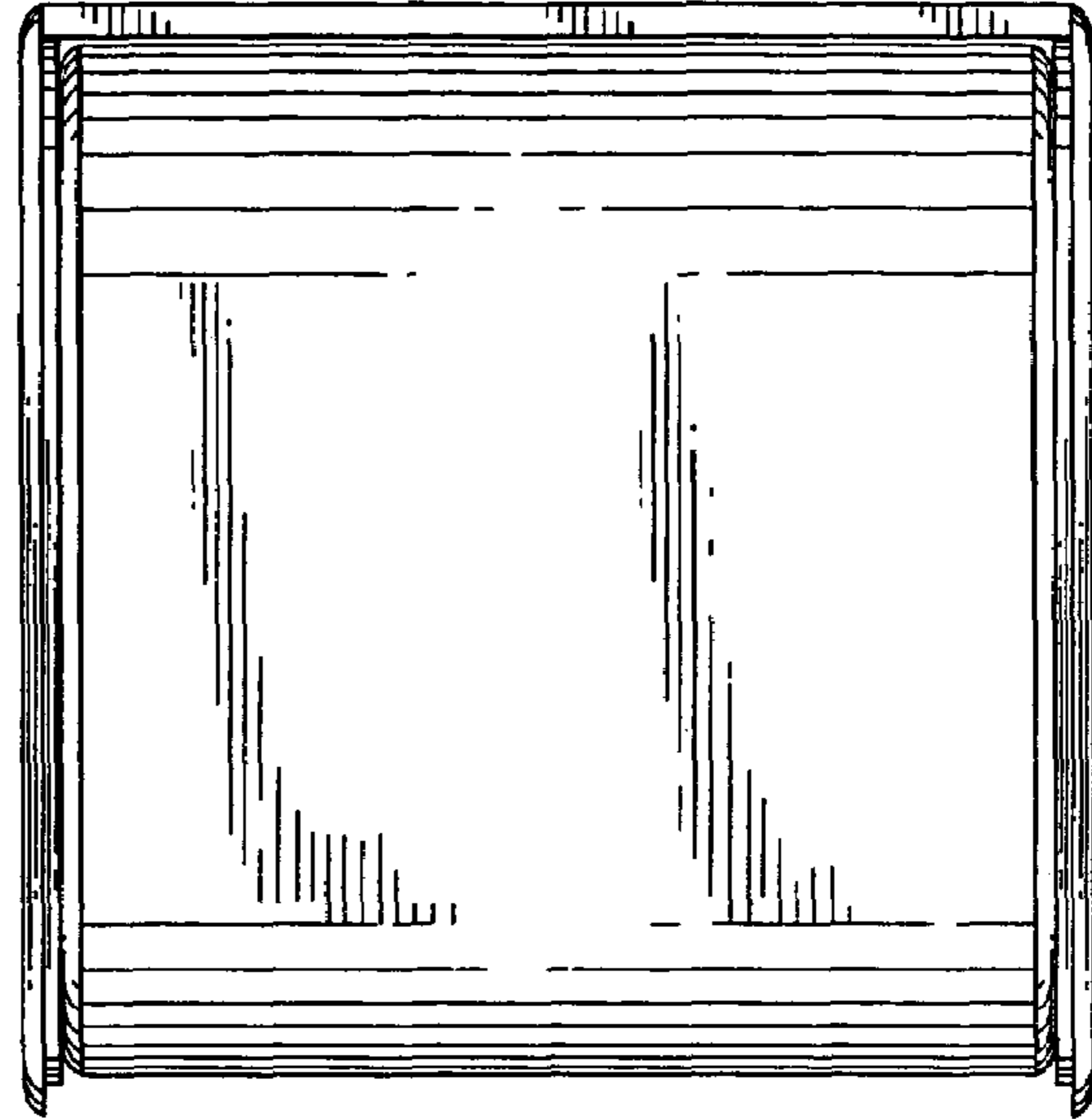


FIG. 6

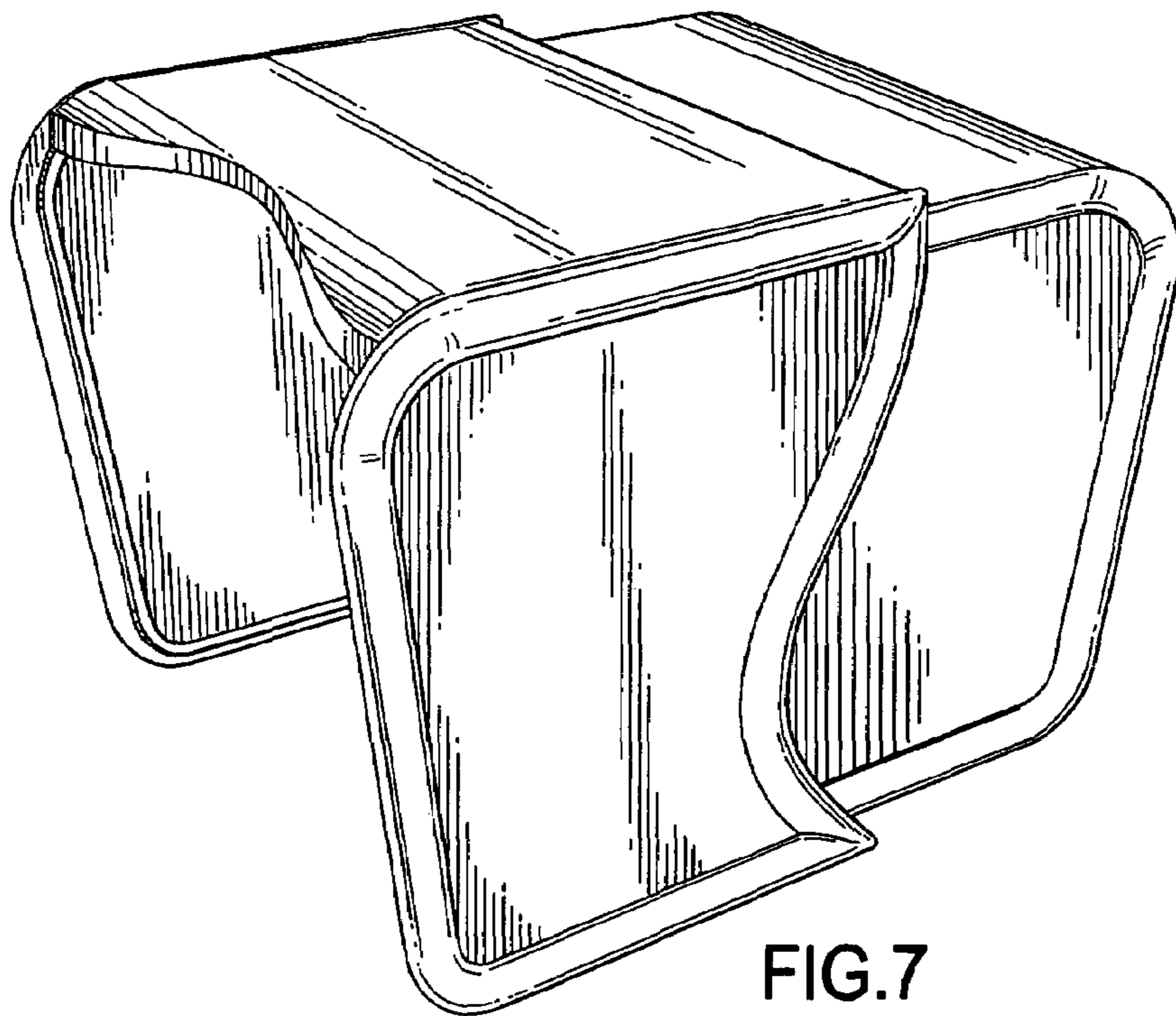


FIG. 7