



US00D549353S

(12) **United States Design Patent**
Lowman

(10) **Patent No.:** **US D549,353 S**

(45) **Date of Patent:** **** Aug. 21, 2007**

(54) **STORM SHUTTER**

(75) Inventor: **Dennis Lowman**, Palm Harbor, FL
(US)

(73) Assignee: **Guardian Industries Corp.**, Auburn
Hills, MI (US)

(**) Term: **14 Years**

(21) Appl. No.: **29/256,957**

(22) Filed: **Mar. 28, 2006**

(51) **LOC (8) Cl.** **25-02**

(52) **U.S. Cl.** **D25/47**

(58) **Field of Classification Search** D25/47,
D25/138, 158; 160/104; 49/50, 57; 52/202,
52/473, 783.11, 783.12, 783.17, 783.19, 784.1
See application file for complete search history.

(56) **References Cited**

U.S. PATENT DOCUMENTS

5,345,716 A	9/1994	Caplan	
D361,843 S *	8/1995	Pangborn D25/47
5,457,921 A	10/1995	Kostrzecha	
5,579,615 A	12/1996	Hoffman	
5,651,221 A	7/1997	Golen	
5,927,028 A *	7/1999	Rossi 52/202

6,079,168 A	6/2000	Shaver	
6,546,681 B1 *	4/2003	Trundle 52/202
6,615,555 B2	9/2003	Madden	
6,868,642 B2	3/2005	Madden	

* cited by examiner

Primary Examiner—Doris Clark

(74) *Attorney, Agent, or Firm*—Nixon & Vanderhye, PC

(57) **CLAIM**

The ornamental design for a portion of a “storm shutter,” as shown and described.

DESCRIPTION

FIG. 1 is a perspective view of a design for a storm shutter in accordance with my new design;

FIG. 2 is a front elevation view thereof;

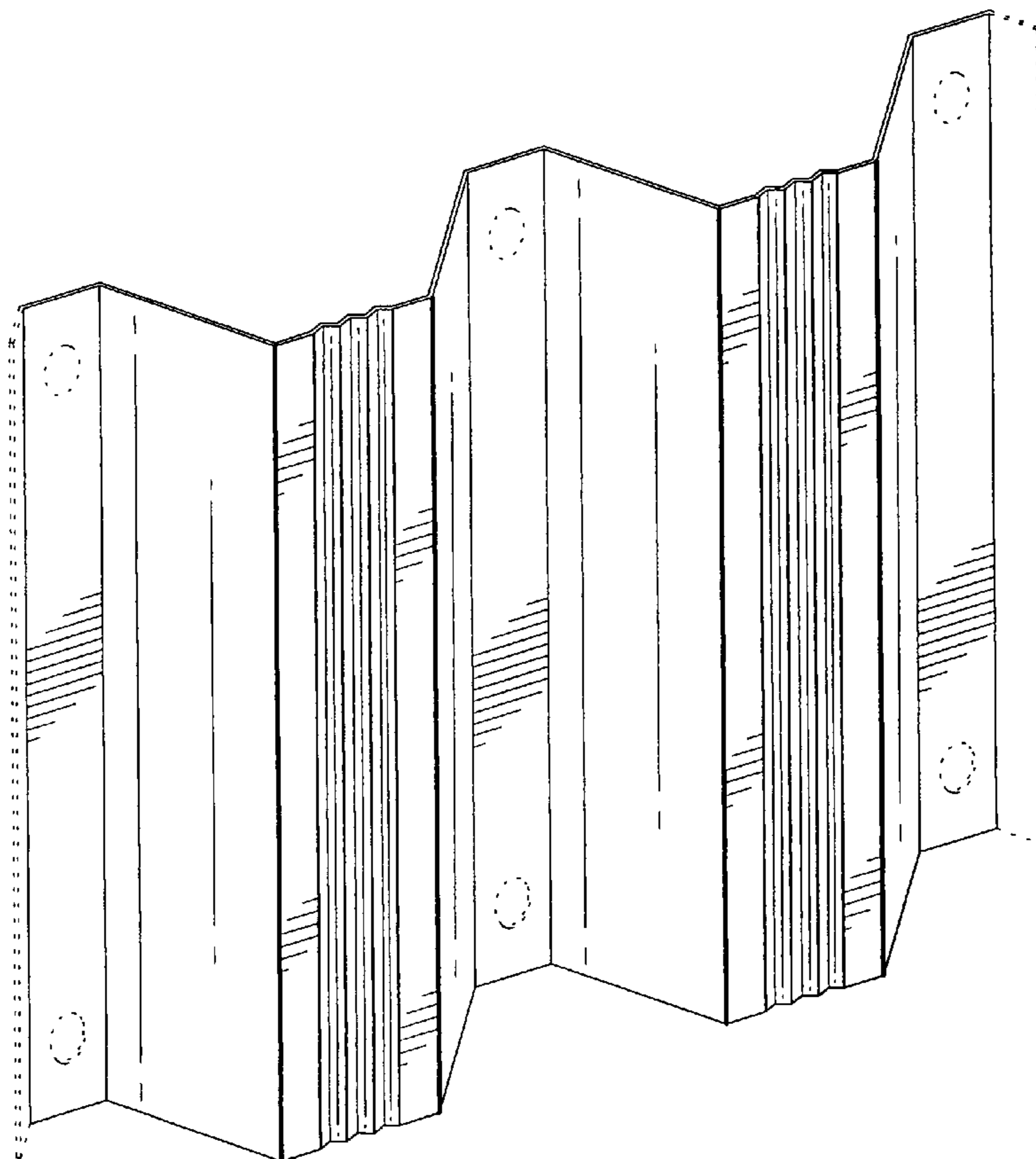
FIG. 3 is a top plan view thereof, the bottom plan view being a mirror image thereof;

FIG. 4 is a right side view thereof, the left side view being a mirror image thereof; and,

FIG. 5 is a rear elevation view thereof.

The broken lines are for illustrative purposes only and form no part of the claimed design.

1 Claim, 4 Drawing Sheets



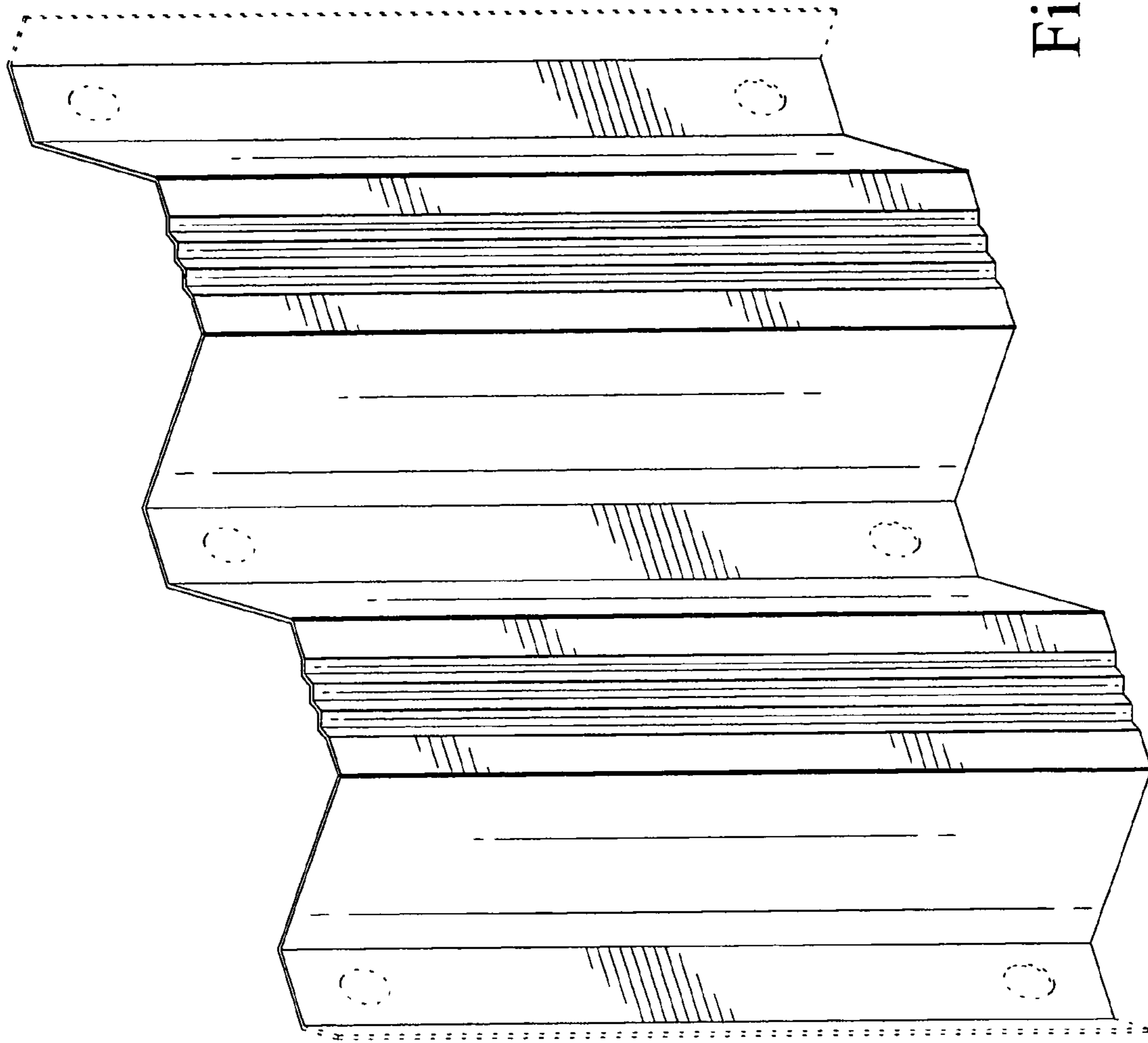


Fig. 1

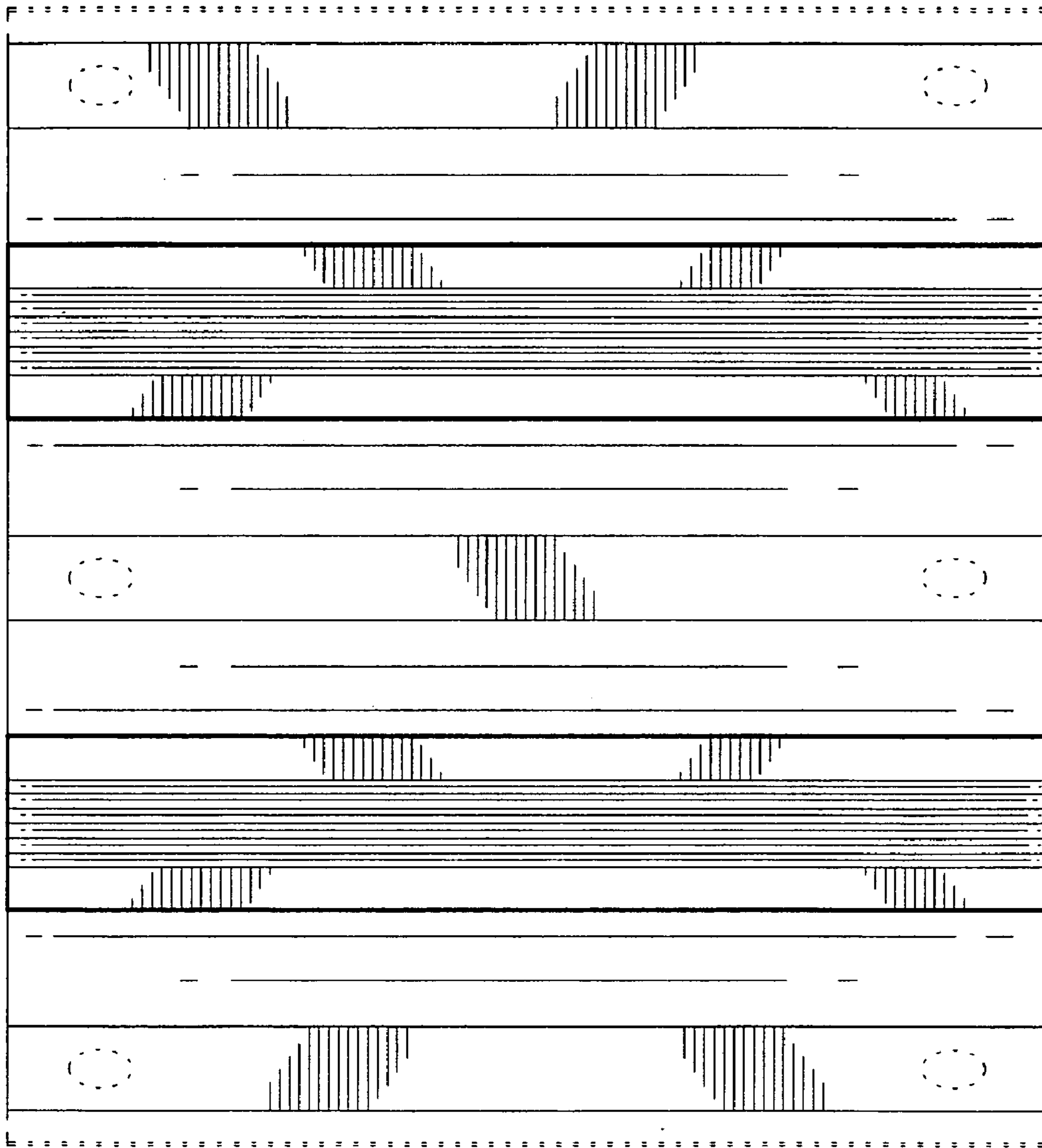


Fig. 2

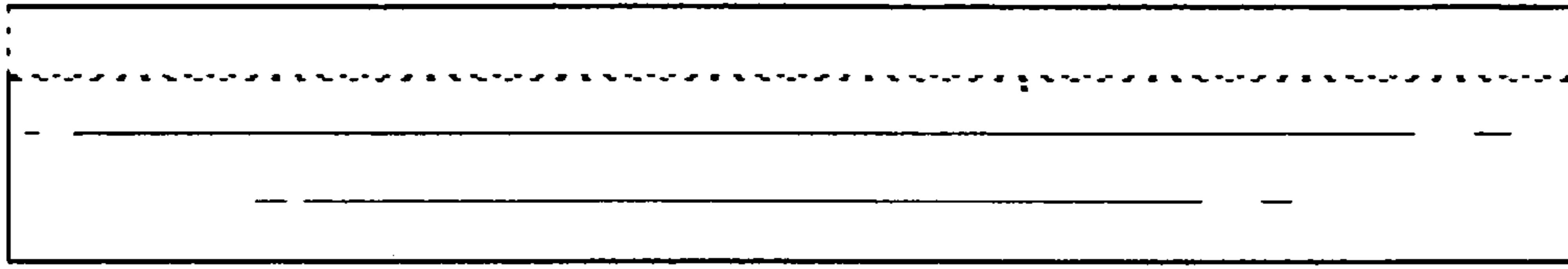


Fig. 4

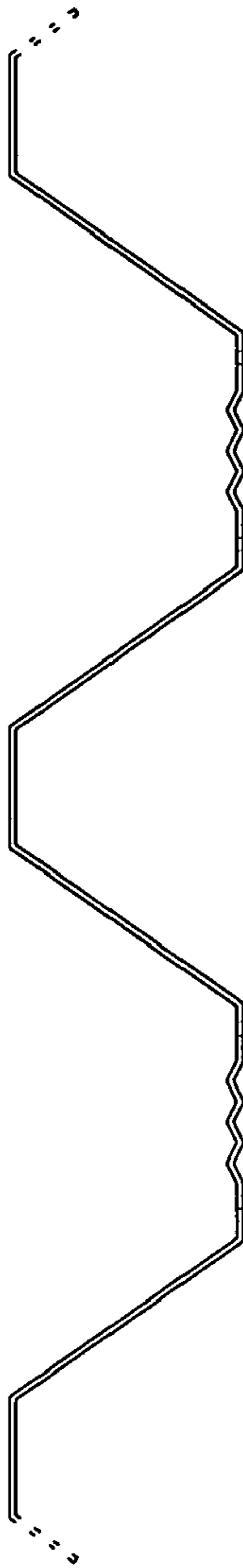


Fig. 3

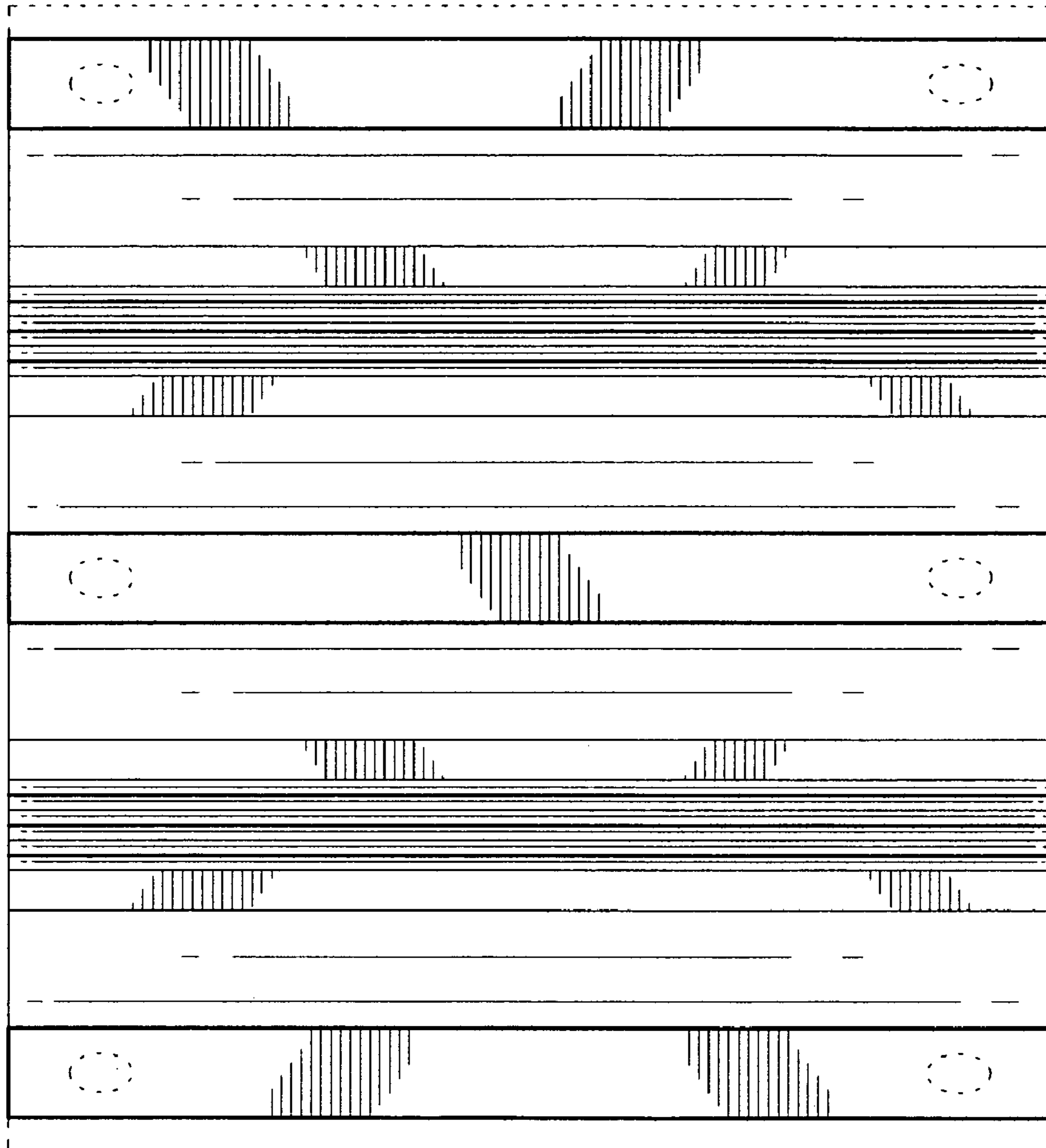


Fig. 5