



US00D549350S

(12) **United States Design Patent** (10) **Patent No.:** **US D549,350 S**  
**Wu** (45) **Date of Patent:** **\*\* Aug. 21, 2007**

(54) **CONTROL DEVICE**

D523,561 S \* 6/2006 Telford ..... D24/215  
2004/0030273 A1\* 2/2004 Tucker ..... 601/70

(75) Inventor: **Wei Wu**, Huzhou (CN)

\* cited by examiner

(73) Assignee: **Zhejiang Lover Health Science and  
Technology Development Co., Ltd.**,  
Zhejiang Province (CN)

*Primary Examiner*—Charles A. Rademaker  
*Assistant Examiner*—Melanie Levy

(\*\*) Term: **14 Years**

(57) **CLAIM**

(21) Appl. No.: **29/276,458**

The ornamental design for a control device, as shown and described.

(22) Filed: **Jan. 26, 2007**

**DESCRIPTION**

(51) **LOC (8) Cl.** ..... **28-03**

(52) **U.S. Cl.** ..... **D24/215**

(58) **Field of Classification Search** ..... D24/211–215,  
D24/200, 143; 601/46, 101, 87, 84, 80, 70,  
601/85, 78, 67, DIG. 14, DIG. 16; 600/38;  
D13/168, 169, 170, 174

FIG. 1 is a front elevational view of a control device showing my new design;

FIG. 2 is a rear elevational view thereof;

FIG. 3 is a right side view thereof;

FIG. 4 is a left side view thereof;

FIG. 5 is a top plan view thereof;

FIG. 6 is a bottom plan view thereof; and,

FIG. 7 is a perspective view thereof.

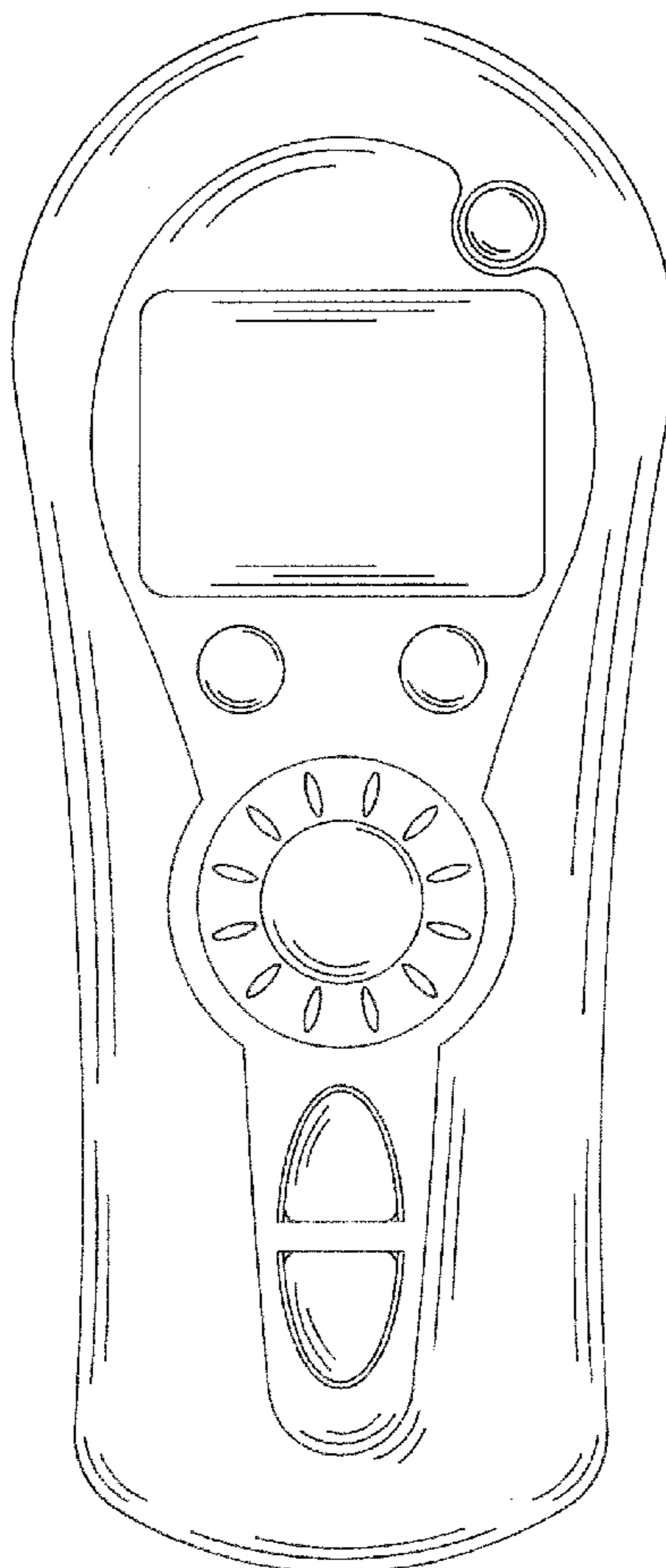
See application file for complete search history.

(56) **References Cited**

**U.S. PATENT DOCUMENTS**

D469,183 S \* 1/2003 Gerth et al. .... D24/200  
D496,333 S \* 9/2004 Nan ..... D13/103

**1 Claim, 6 Drawing Sheets**



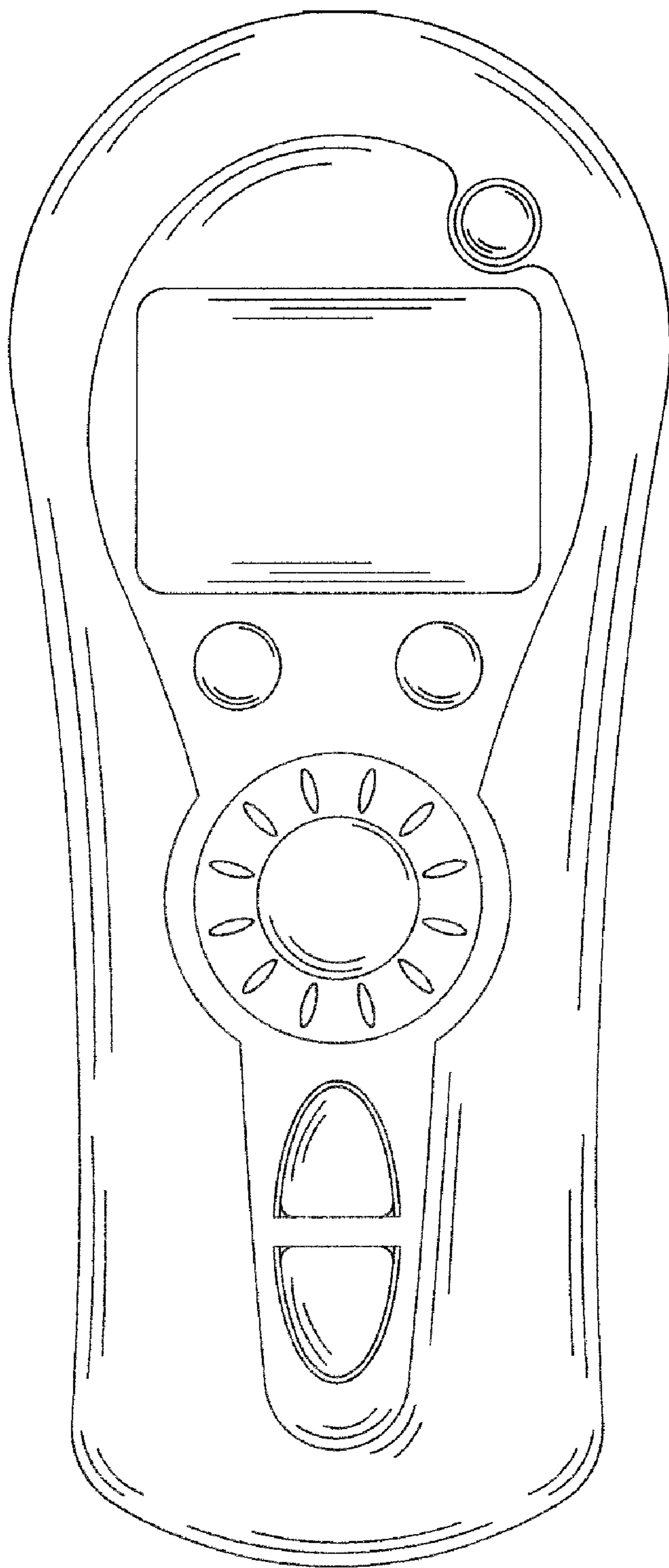


FIG. 1

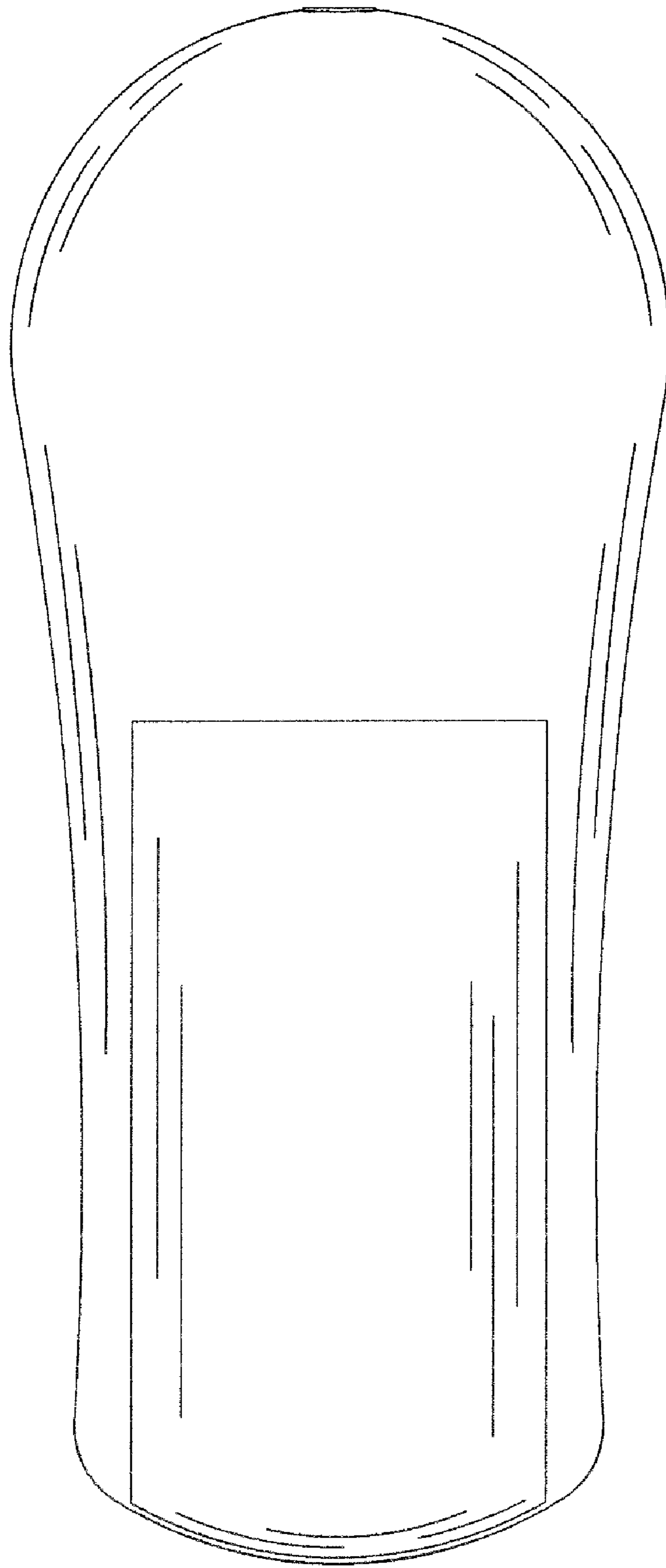


FIG. 2

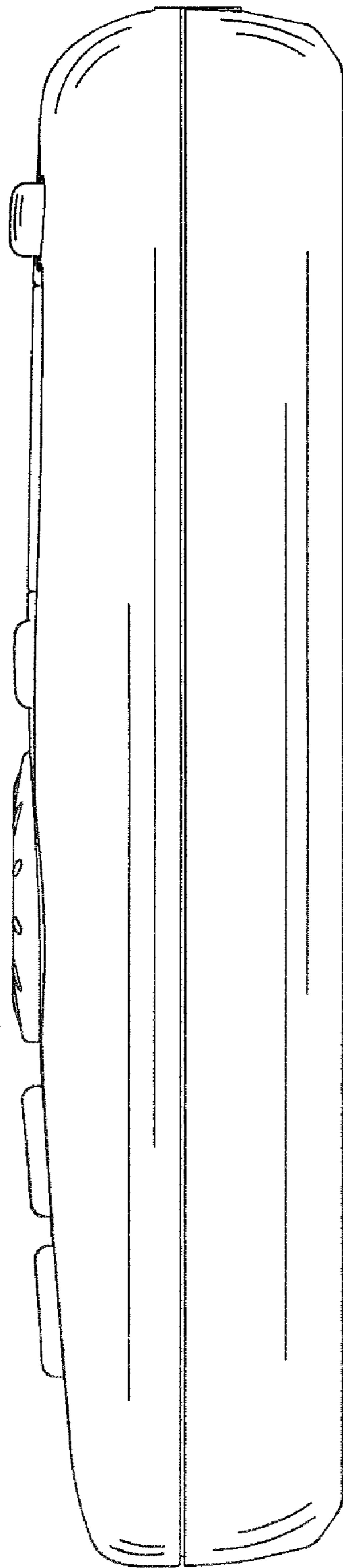


FIG. 3

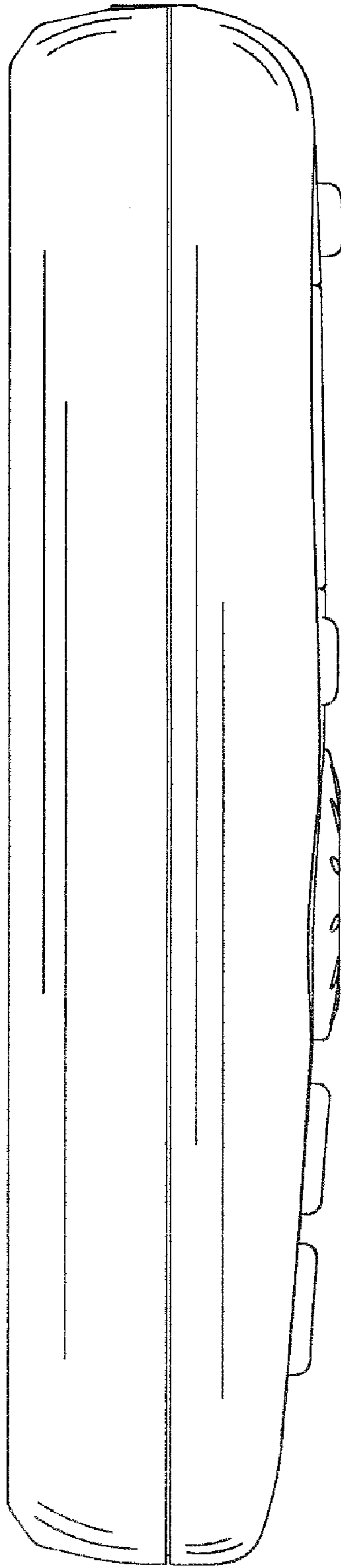


FIG. 4

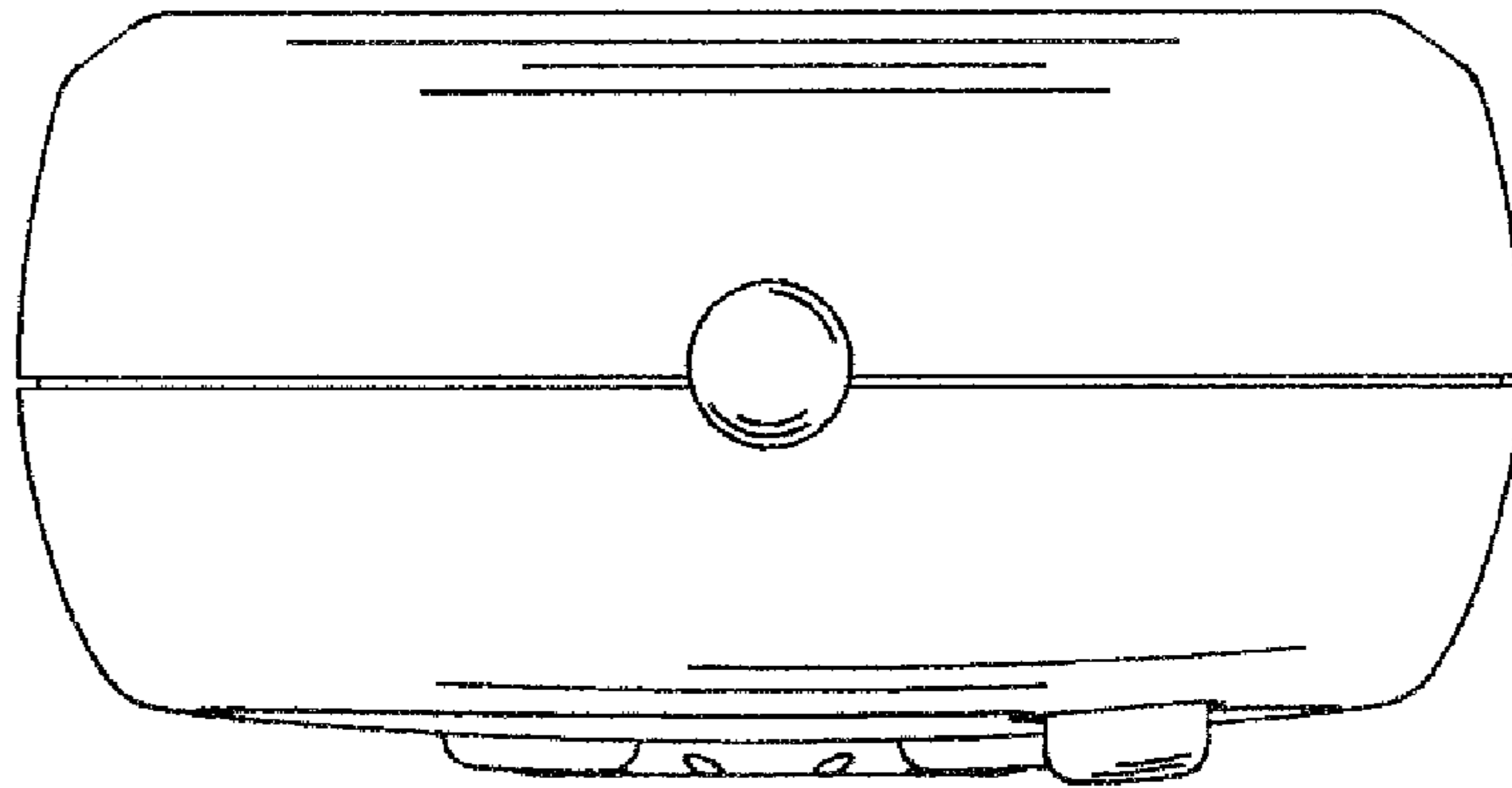


FIG. 5

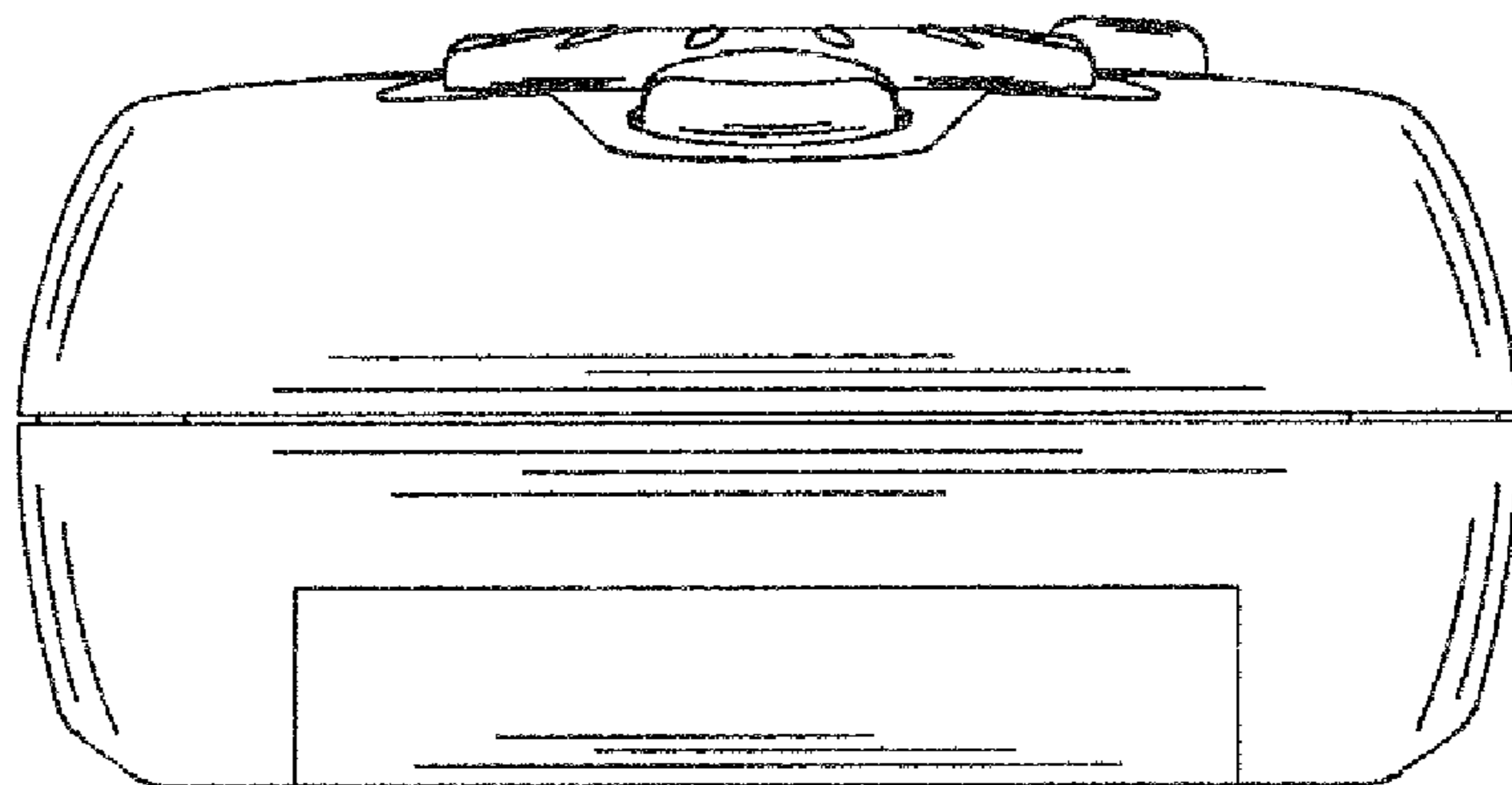


FIG. 6

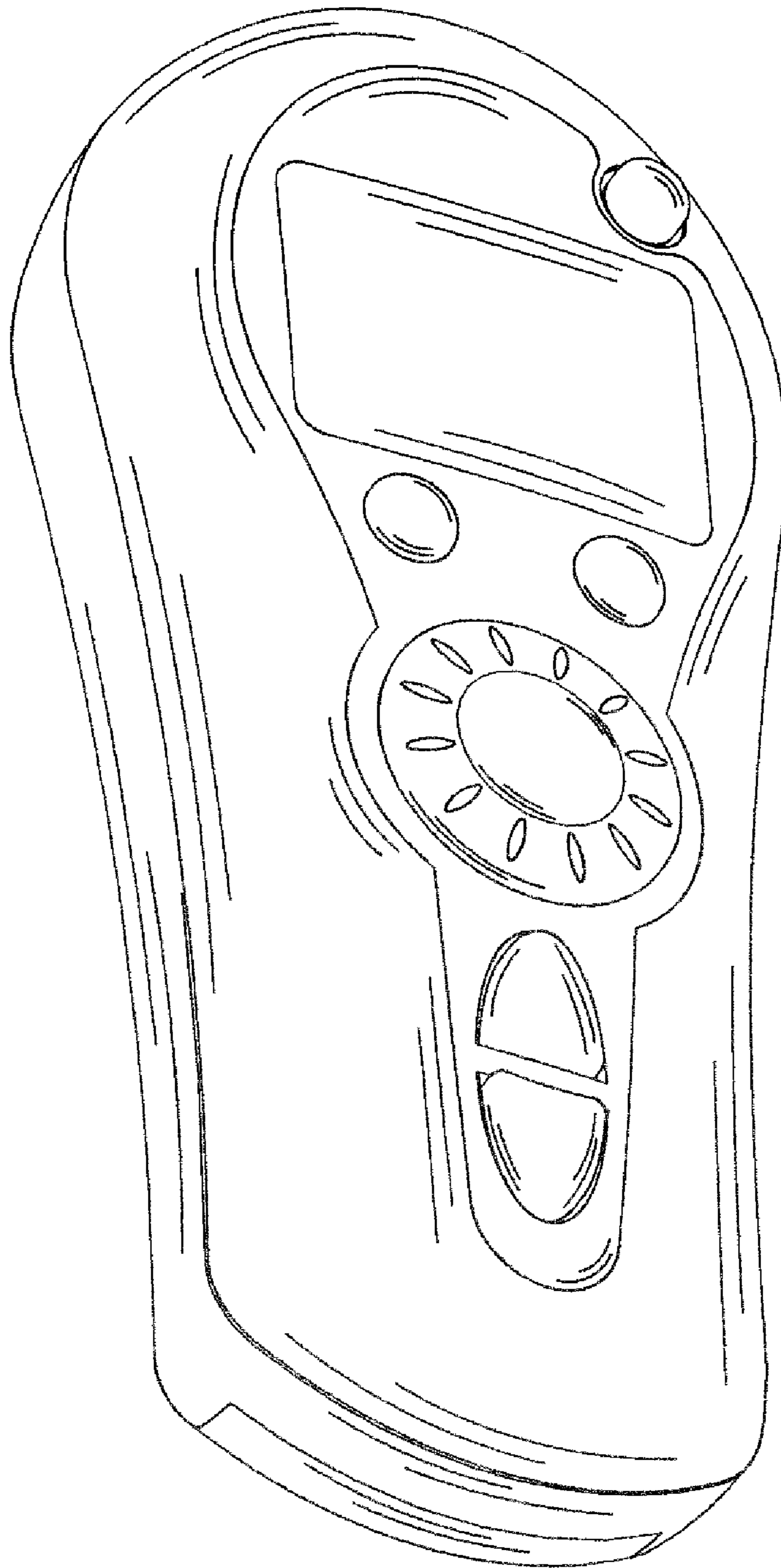


FIG. 7