

US00D549348S

(12) **United States Design Patent**
Przybycien

(10) **Patent No.:** **US D549,348 S**

(45) **Date of Patent:** **** Aug. 21, 2007**

(54) **CAST COVER**

(76) **Inventor:** **Scott M. Przybycien**, 5 Conant St.,
Beverly, MA (US) 01915

(**) **Term:** **14 Years**

(21) **Appl. No.:** **29/231,393**

(22) **Filed:** **Jun. 3, 2005**

(51) **LOC (8) Cl.** **24-01**

(52) **U.S. Cl.** **D24/190**

(58) **Field of Classification Search** D24/190-3;
602/4-6, 20, 27, 61-2, 79; 128/865-6, 878,
128/876; 604/20-21; 24/442; D29/113;
473/62; D6/601

See application file for complete search history.

(56) **References Cited**

U.S. PATENT DOCUMENTS

2,244,871	A *	6/1941	Guinzburg	2/59
3,741,203	A *	6/1973	Liman	602/3
3,747,125	A *	7/1973	Goldman et al.	2/240
3,785,374	A *	1/1974	Lipson	602/3
4,254,765	A *	3/1981	Brown et al.	602/3
4,523,586	A *	6/1985	Couri	602/3
4,562,834	A	1/1986	Bates et al.	
4,646,727	A *	3/1987	Chambers	602/3
4,727,864	A *	3/1988	Wiesenthal et al.	602/3
4,911,151	A *	3/1990	Rankin et al.	602/3
4,966,135	A *	10/1990	Renfrew	602/3
4,986,265	A *	1/1991	Caponi	602/3
5,016,648	A *	5/1991	Brown et al.	128/846
5,063,919	A *	11/1991	Silverberg	602/3
D340,115	S *	10/1993	Carmack	D24/190
5,342,286	A	8/1994	Kelly et al.	
5,363,317	A *	11/1994	Rice et al.	602/3
5,395,302	A *	3/1995	Botha et al.	602/3
5,592,953	A *	1/1997	Delao	128/882

5,643,183	A *	7/1997	Hill	602/3
5,720,712	A *	2/1998	Joy et al.	602/3
D415,282	S	10/1999	Rutledge et al.	
6,126,621	A *	10/2000	Aceves	602/3
6,210,352	B1 *	4/2001	Williams et al.	602/3
6,450,982	B1 *	9/2002	Peterson	602/3
6,916,301	B1 *	7/2005	Clare	602/3

OTHER PUBLICATIONS

www.orthomedicalsupplies.com; Seal Tight Case and Bandage Protector.

www.orthomedicalsupplies.com; XEROSOX.

www.mar-von; Case Cover.

* cited by examiner

Primary Examiner—Louis S. Zarfes

Assistant Examiner—Susan E. Krakower

(74) *Attorney, Agent, or Firm*—Lawrence J. Gibney, Jr.

(57) **CLAIM**

I claim the ornamental design for cast cover, as shown and described.

DESCRIPTION

FIG. 1 is a front view of my new design for a cast cover;

FIG. 2 is a rear view thereof;

FIG. 3 is a left side view thereof;

FIG. 4 is a right side view thereof;

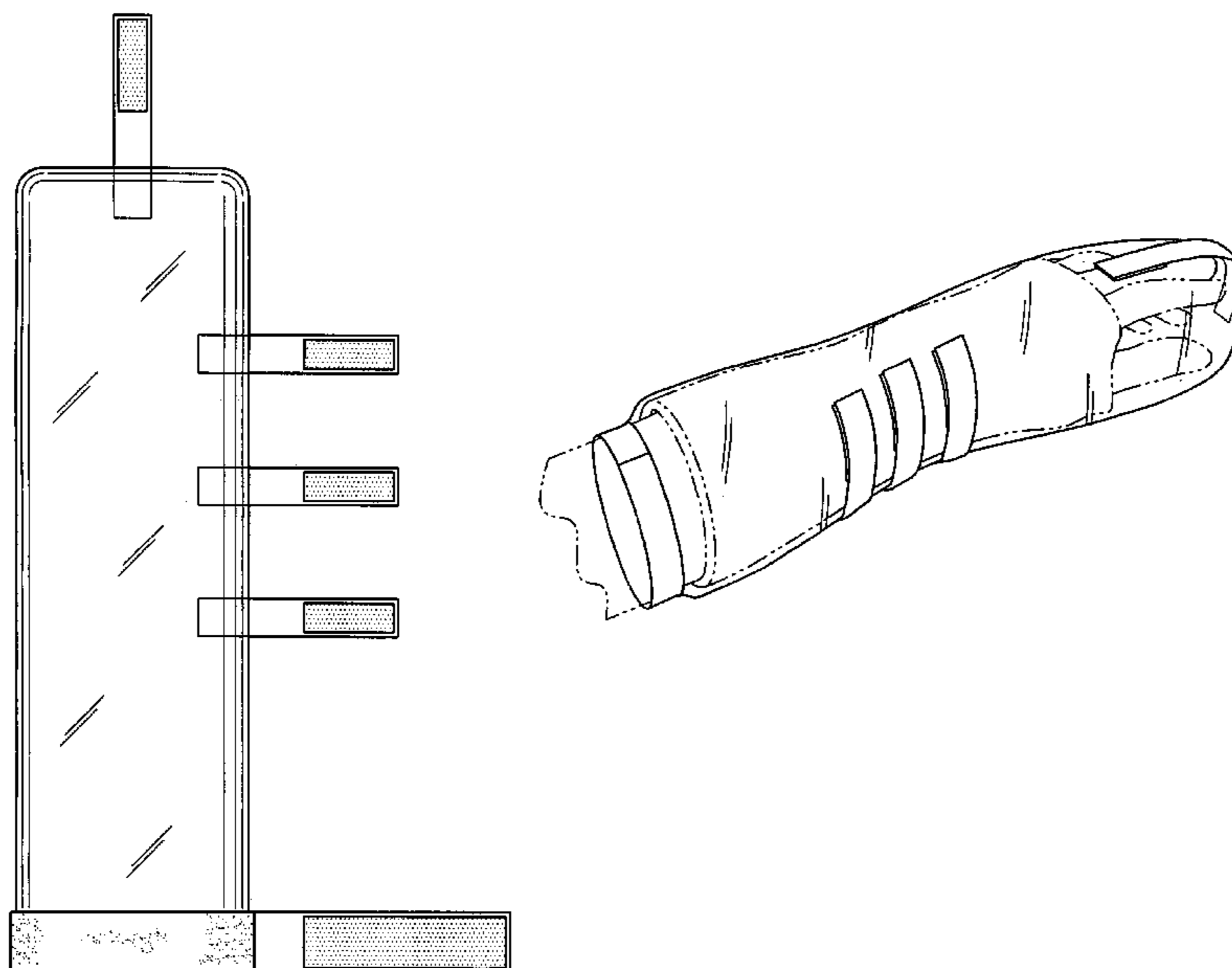
FIG. 5 is a top view thereof;

FIG. 6 is a bottom view thereof; and,

FIG. 7 is an isometric view thereof in use.

The broken line showing of an arm in a cast is included for the purpose of illustrating environmental structure and forms no part of the claimed design.

1 Claim, 5 Drawing Sheets



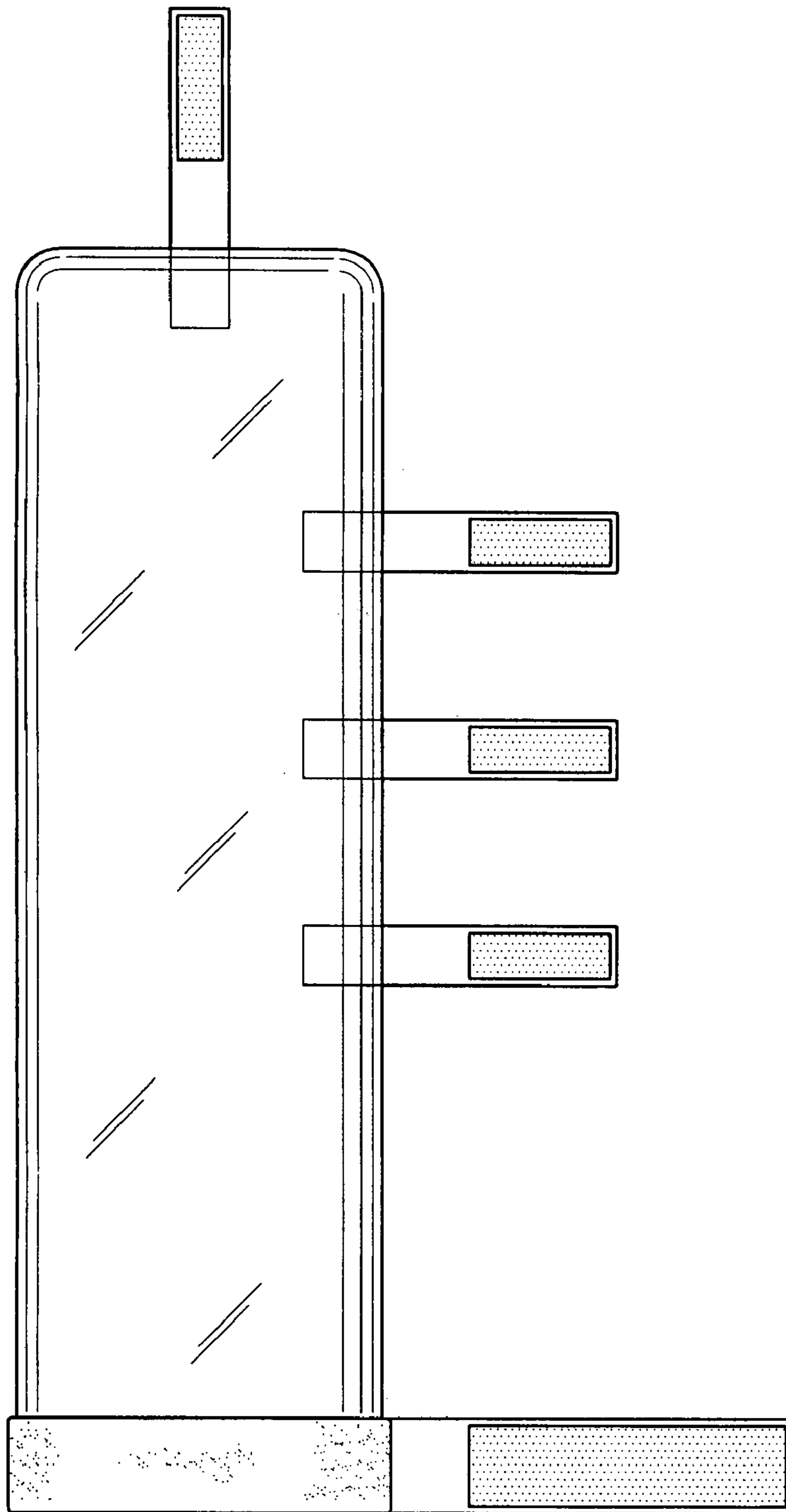


FIG.1

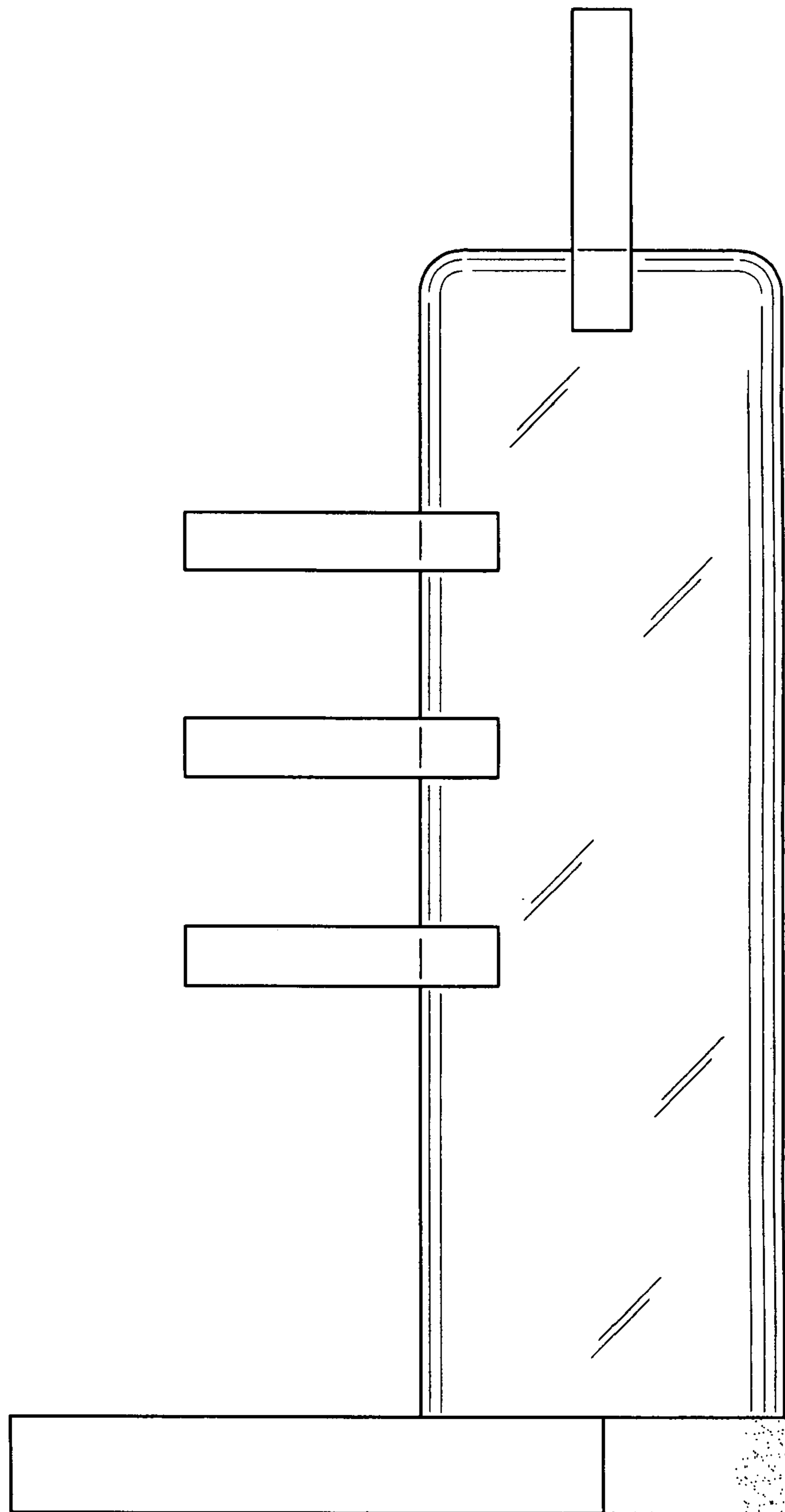


FIG.2

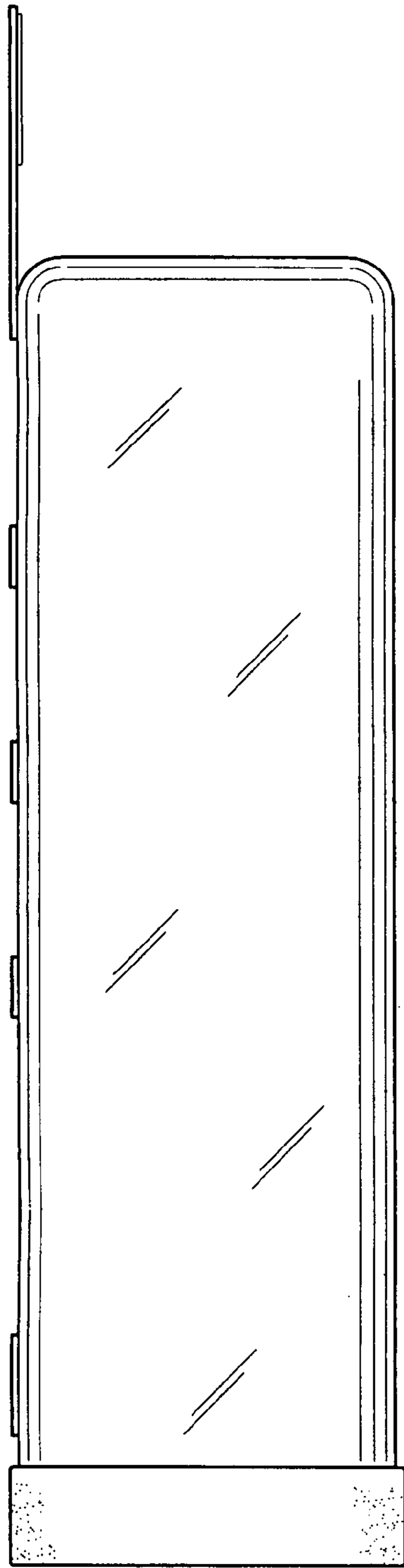


FIG.3

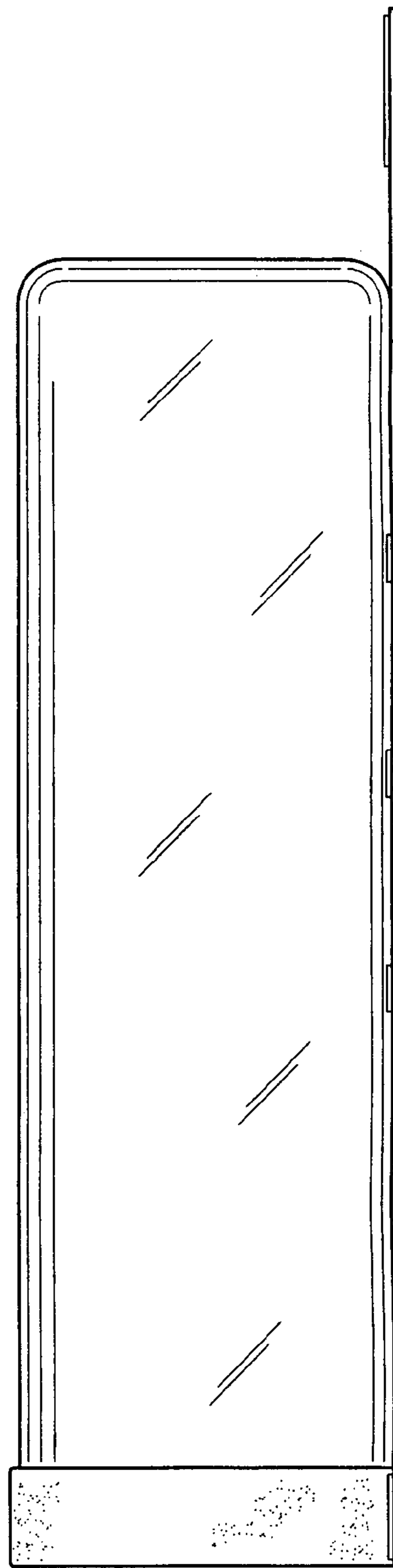


FIG.4

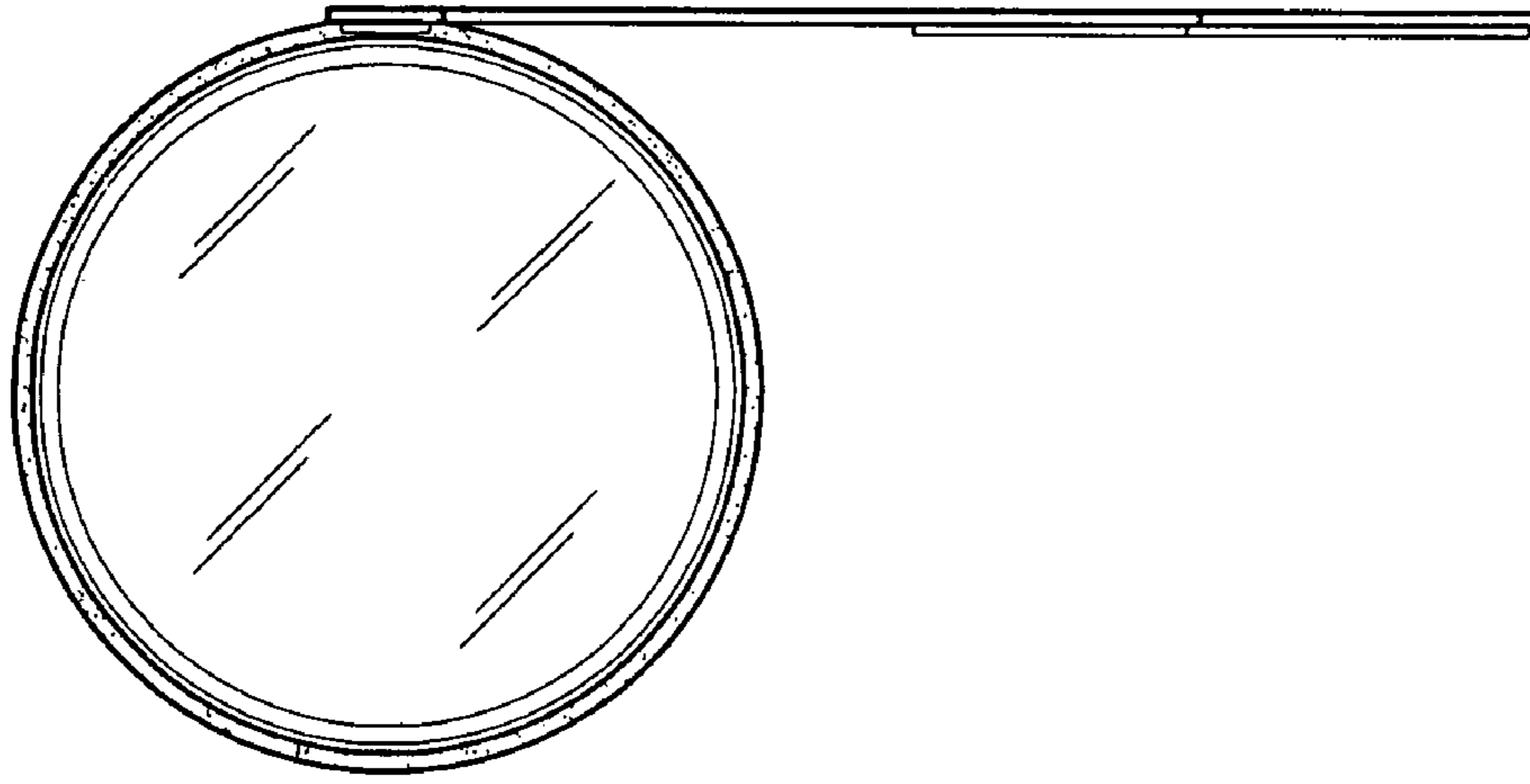


FIG. 5

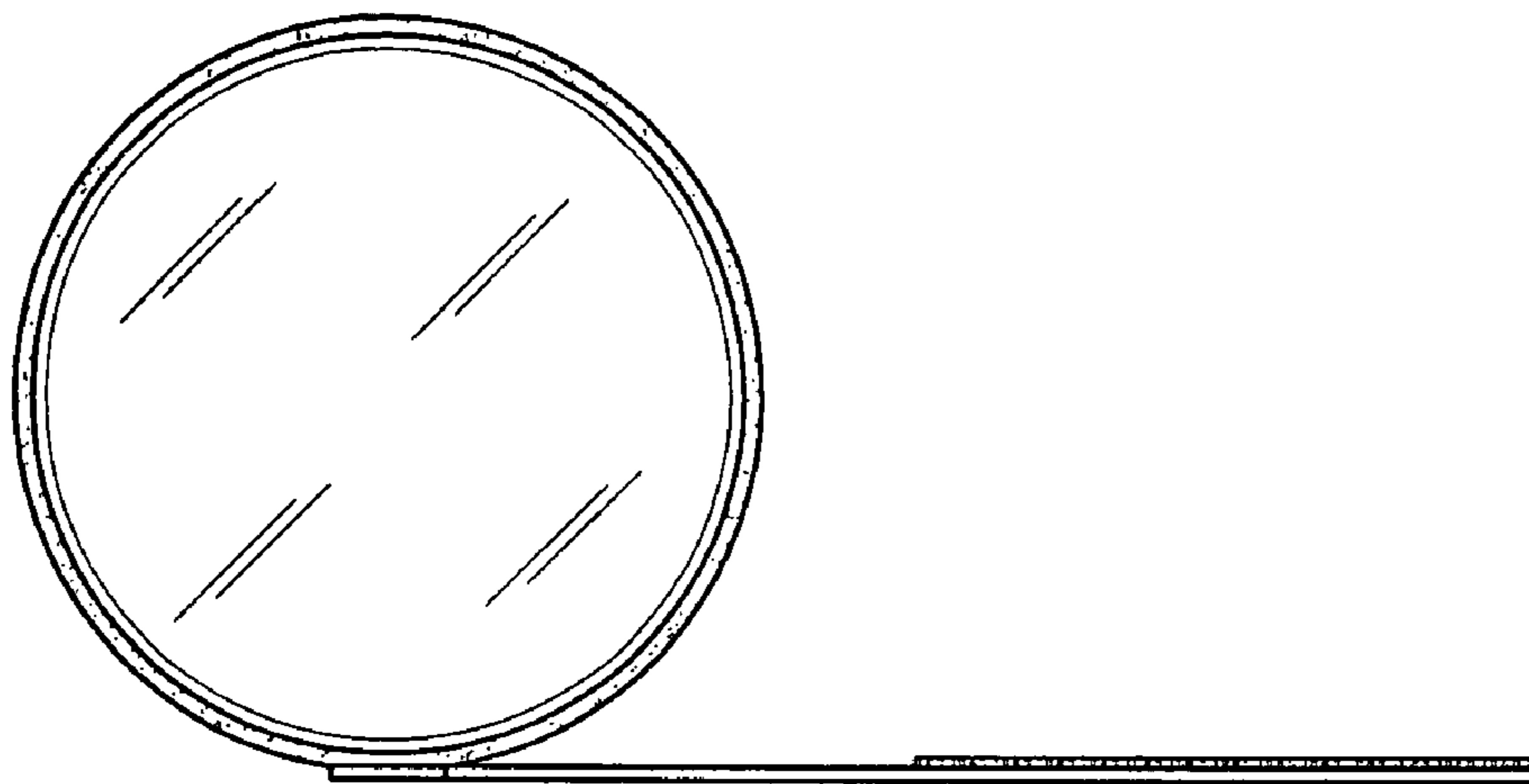


FIG. 6

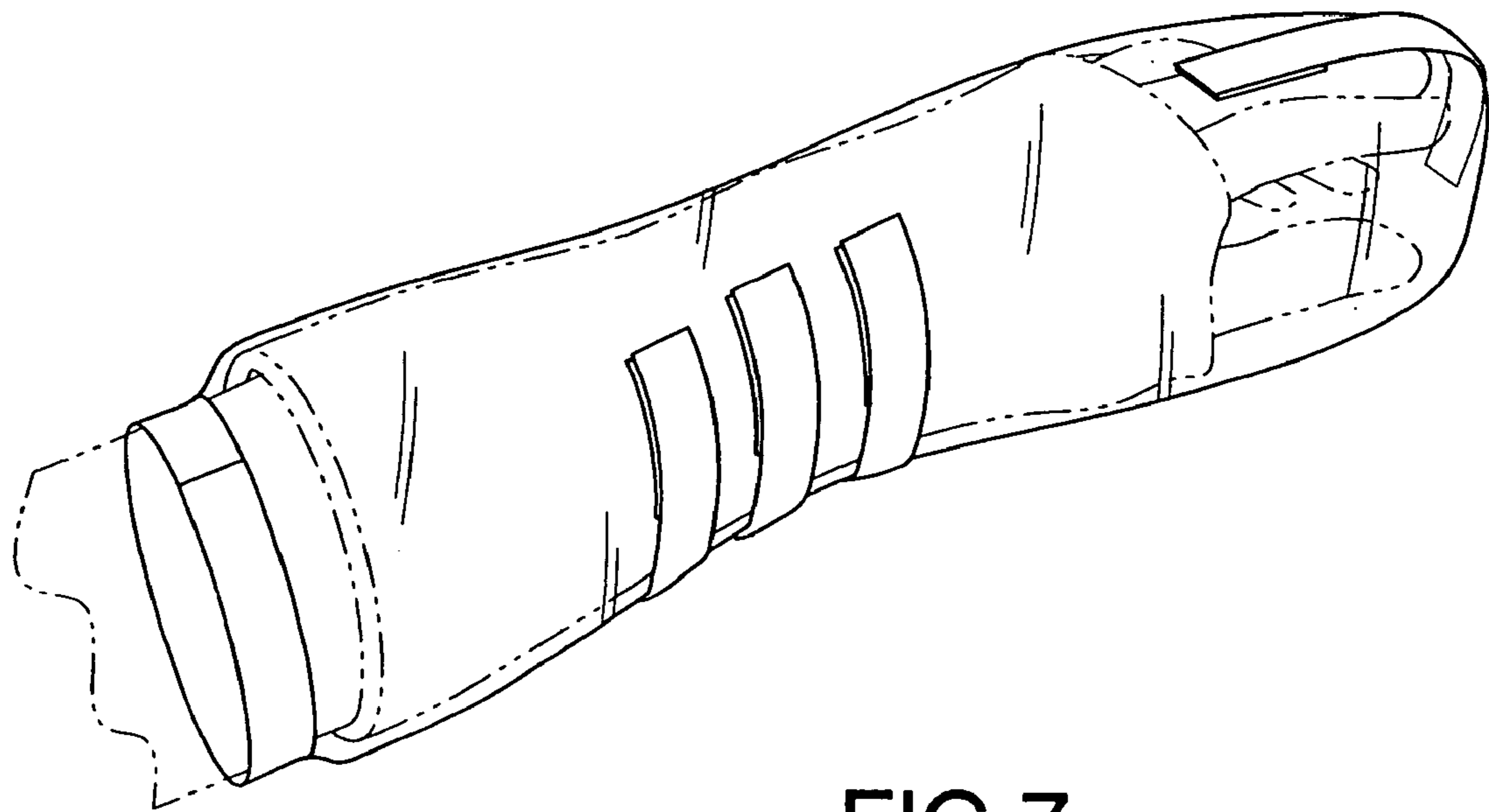


FIG. 7