



US00D549347S

(12) **United States Design Patent**
Jennings-Spring

(10) **Patent No.:** **US D549,347 S**

(45) **Date of Patent:** **** Aug. 21, 2007**

(54) **BODY PART DRESSING**

(57) **CLAIM**

(76) Inventor: **Barbara L. Jennings-Spring**, 10844 N. Dogwood Trail, Jupiter, FL (US) 33478

I claim the ornamental design for a body part dressing, as shown and described.

(**) Term: **14 Years**

DESCRIPTION

(21) Appl. No.: **29/259,837**

FIG. 1 is a perspective view of a body part dressing showing my new design in a first in-use folded position.

(22) Filed: **May 16, 2006**

FIG. 2 is a front plan view of the ornamental design of FIG. 1.

(51) **LOC (8) Cl.** **24-04**

FIG. 3 is a side view of the ornamental design of FIG. 1

(52) **U.S. Cl.** **D24/189**

FIG. 4 is a top plan view of the ornamental design of FIG. 1.

(58) **Field of Classification Search** D24/183-184, D24/188-190; 602/2, 3, 60-62; 128/846, 128/853, 856, 878, DIG. 6, DIG. 26; 604/174-179
See application file for complete search history.

FIG. 5 is a bottom view of the ornamental design of FIG. 1.

FIG. 6 is a top plan view of my ornamental design in an unfolded pre-use position.

(56) **References Cited**

U.S. PATENT DOCUMENTS

FIG. 7 is a front view of the ornamental design of FIG. 6, showing placement of a closure means.

1,615,945	A	2/1927	James	
2,226,546	A	12/1940	Bower	
2,387,642	A	10/1945	Calhoun	
2,401,714	A	6/1946	Weil	
2,564,183	A	8/1951	Wilson	
2,646,796	A	7/1953	Scholl	
2,882,528	A	4/1959	Tassie	
3,263,681	A	8/1966	Nechtow et al.	
3,633,567	A *	1/1972	Sarnoff	600/499
3,710,790	A	1/1973	Lemon	
3,880,159	A	4/1975	Diamond	
3,906,937	A *	9/1975	Aronson	600/493
4,176,664	A	12/1979	Kalish	
4,353,374	A *	10/1982	Rebbe et al.	600/499

FIG. 8 is a front plan view of the ornamental design of FIG. 7 in which the central portion thereof has been opened for use.

FIG. 9 is a perspective view of FIG. 8.

FIG. 10 is a perspective view of a partially closed position about mid way between those of FIGS. 9 and 1.

FIG. 11 is a front plan view of my ornamental design in an optional first pre-use folded position.

FIG. 12 is a front plan view of my ornamental design in an optional second pre-use folded position; and,

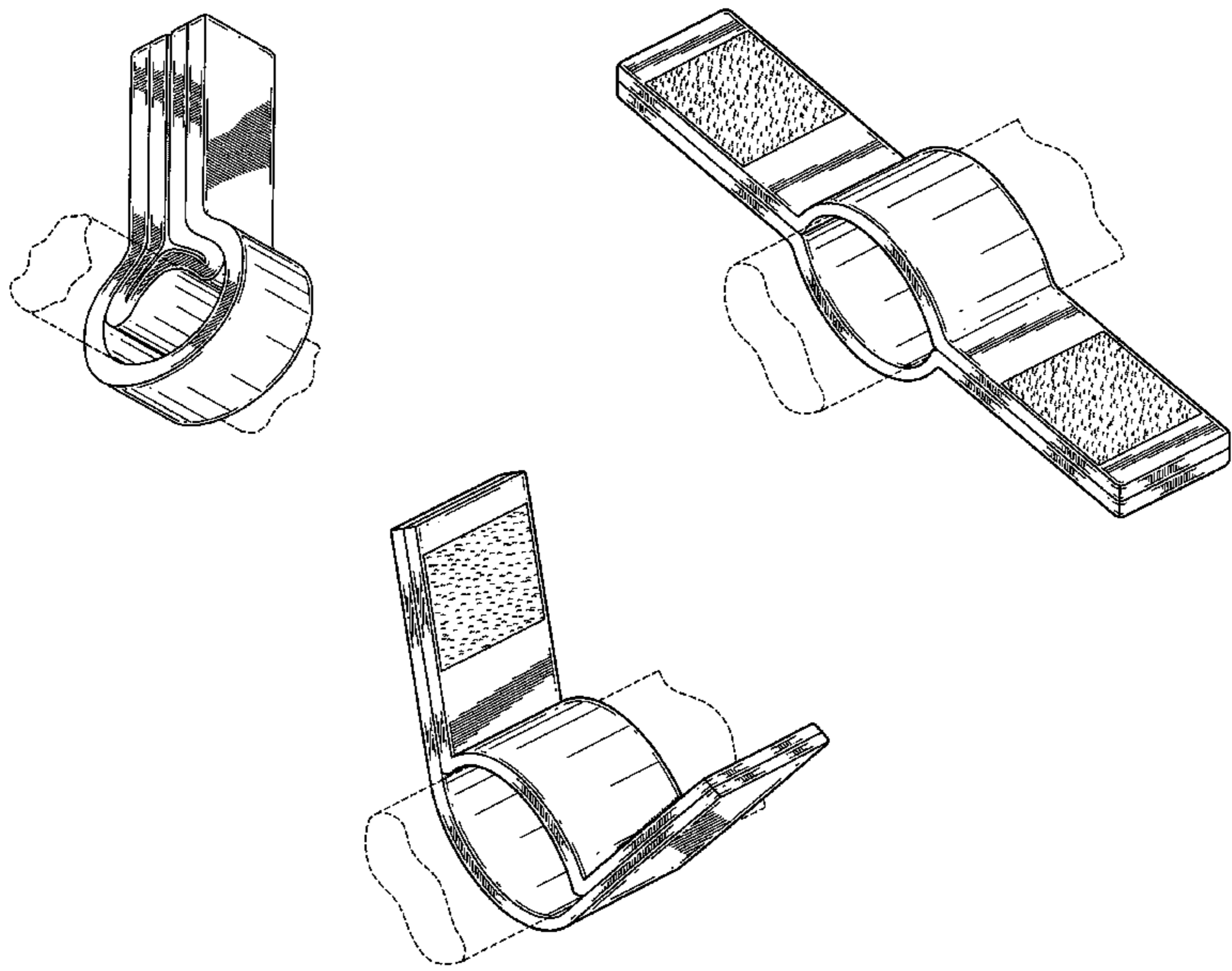
FIG. 13 is a front plan view of my ornamental design in an optional third pre-use folded position.

The broken lines shown of body part dressing is included for the purpose of illustrating environmental structure is used and forms no part of the claimed design.

(Continued)

Primary Examiner—Louis S. Zarfes
Assistant Examiner—Michelle E. Wilson
(74) *Attorney, Agent, or Firm*—Irving M. Fishman

1 Claim, 5 Drawing Sheets



US D549,347 S

Page 2

U.S. PATENT DOCUMENTS					
4,423,722 A	1/1984	Dickman	5,807,299 A	9/1998	McRoberts et al.
4,576,599 A	3/1986	Lipner	5,817,038 A	10/1998	Orange et al.
4,983,163 A	1/1991	Winans	5,860,988 A	1/1999	Rawlings
5,074,315 A	12/1991	McCuiston	5,925,008 A	7/1999	Douglas
5,085,210 A	2/1992	Smith, III	5,935,091 A	8/1999	Friedman
5,158,556 A	10/1992	Starley	5,947,998 A	9/1999	Cartmell et al.
5,163,943 A	11/1992	Mohiuddin et al.	5,960,611 A	11/1999	Ito et al.
5,183,460 A	2/1993	Scherz	5,989,567 A	11/1999	Dolisi
5,209,718 A	5/1993	McDaniel	6,051,249 A	4/2000	Samuelson
5,269,788 A	12/1993	Nelson, III	6,068,607 A	5/2000	Palmer
5,275,592 A	1/1994	Grizzaffi	6,149,600 A *	11/2000	Poorman-Ketchum 600/499
5,439,466 A	8/1995	Kilejian	6,290,653 B1 *	9/2001	Che et al. 600/490
5,513,643 A *	5/1996	Suite 600/499	6,307,118 B1	10/2001	Reich
5,527,293 A	6/1996	Zamierowski	6,309,344 B1	10/2001	Werner
5,592,953 A	1/1997	Delao	6,580,011 B1	6/2003	Jennings-Spring
5,618,302 A	4/1997	Martin	7,001,416 B2 *	2/2006	Augustine et al. 607/104
5,642,525 A	7/1997	Ketola	2001/0001883 A1	5/2001	Wanzenreid
5,649,933 A	7/1997	Singh	2002/0095107 A1	7/2002	Martin
5,741,511 A	4/1998	Lee et al.	2003/0094075 A1	5/2003	Levinson
5,769,808 A	6/1998	Matthijs et al.	2003/0139698 A1	7/2003	Hyson
5,797,401 A	8/1998	Knight	2004/0019308 A1	1/2004	Chow

* cited by examiner

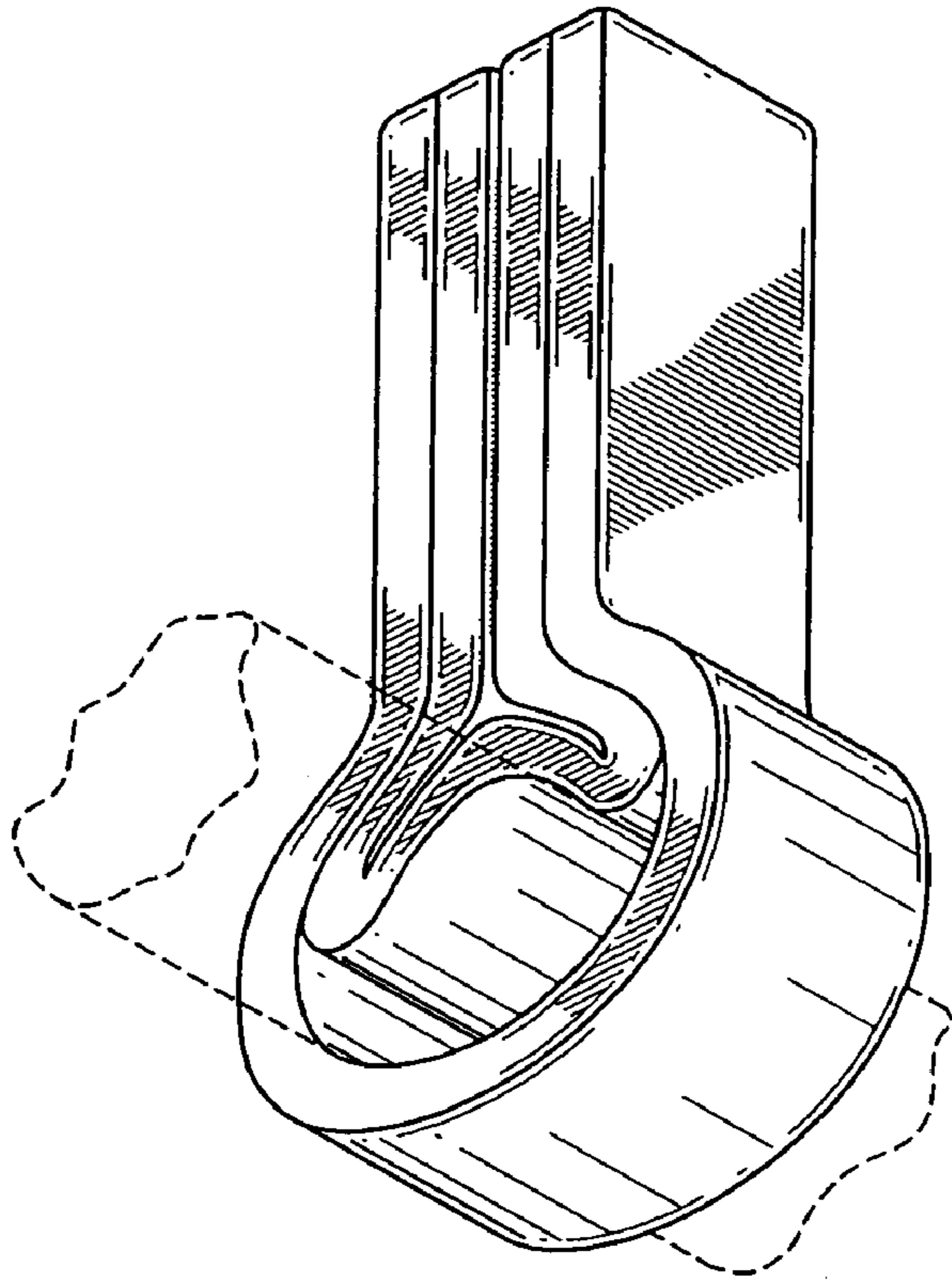


FIG. 1

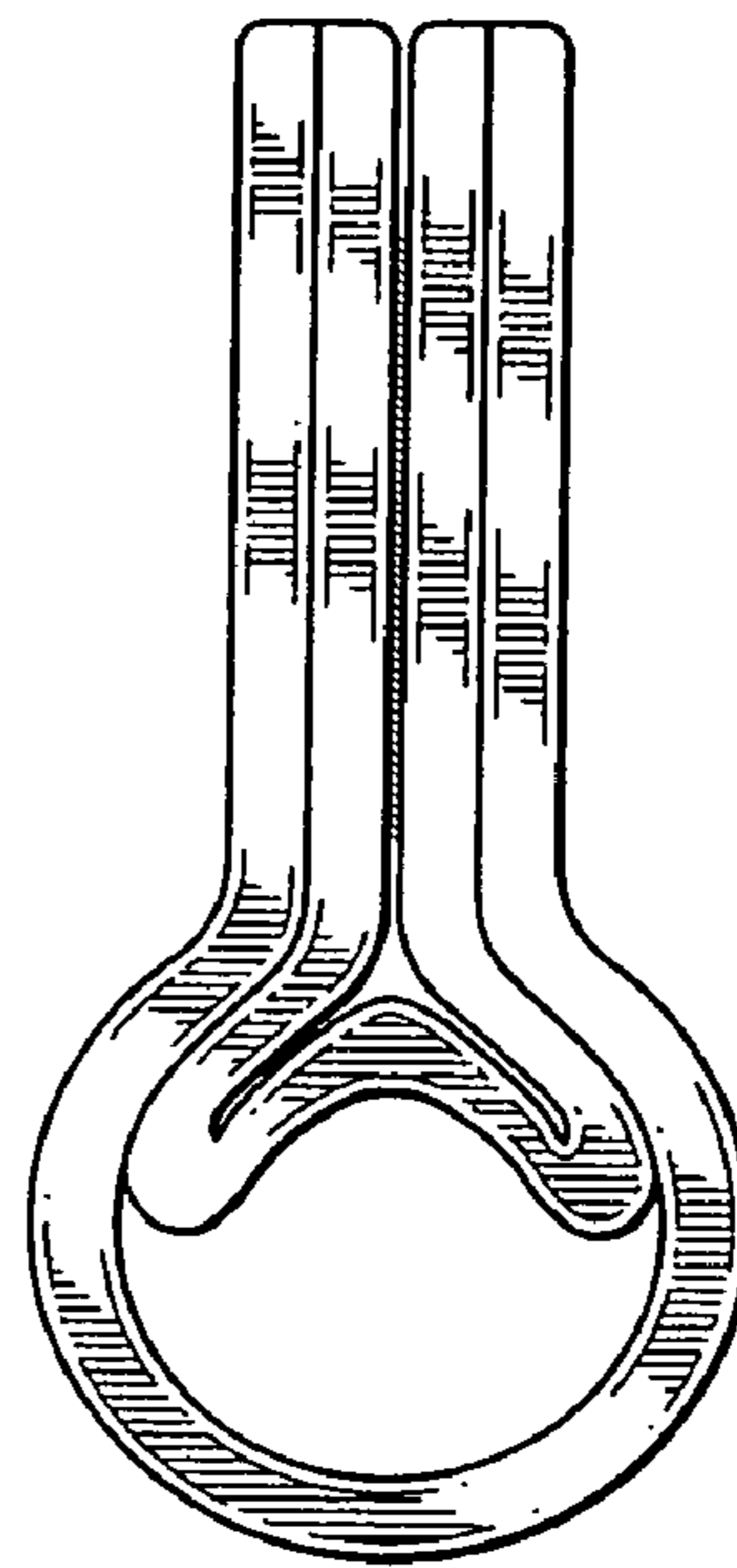


FIG. 2

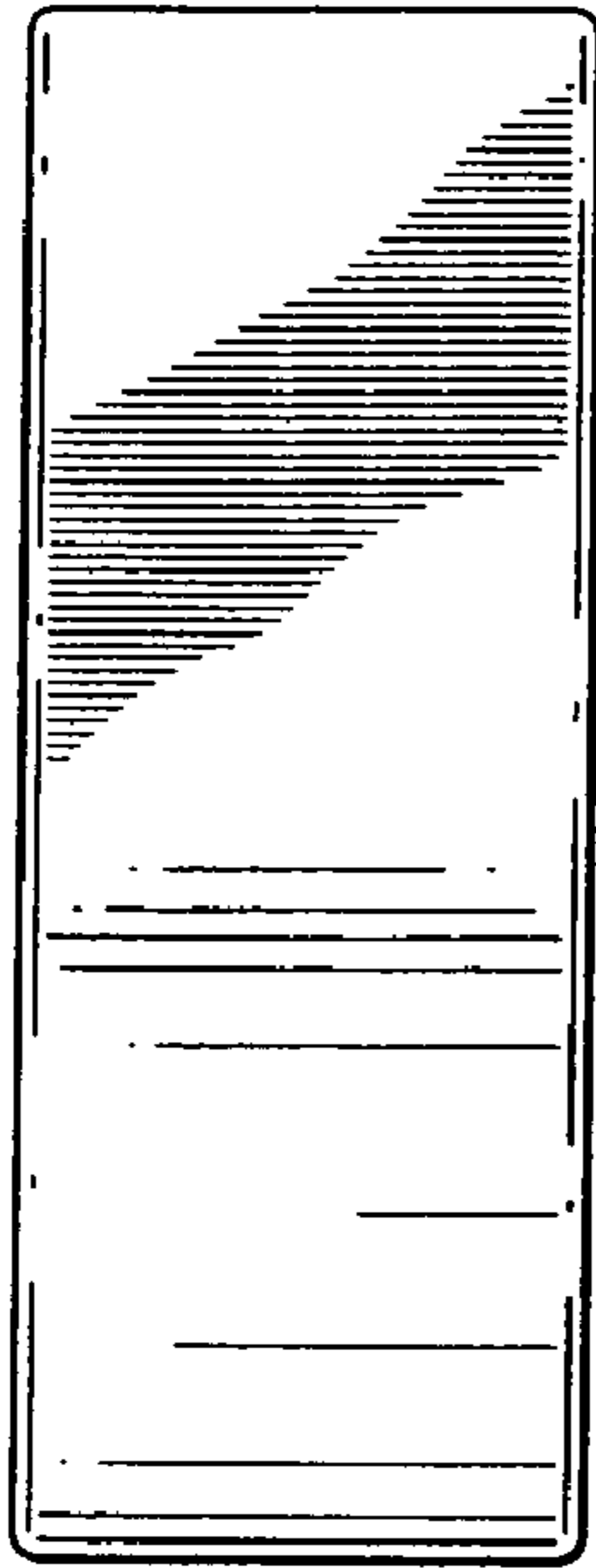


FIG. 3

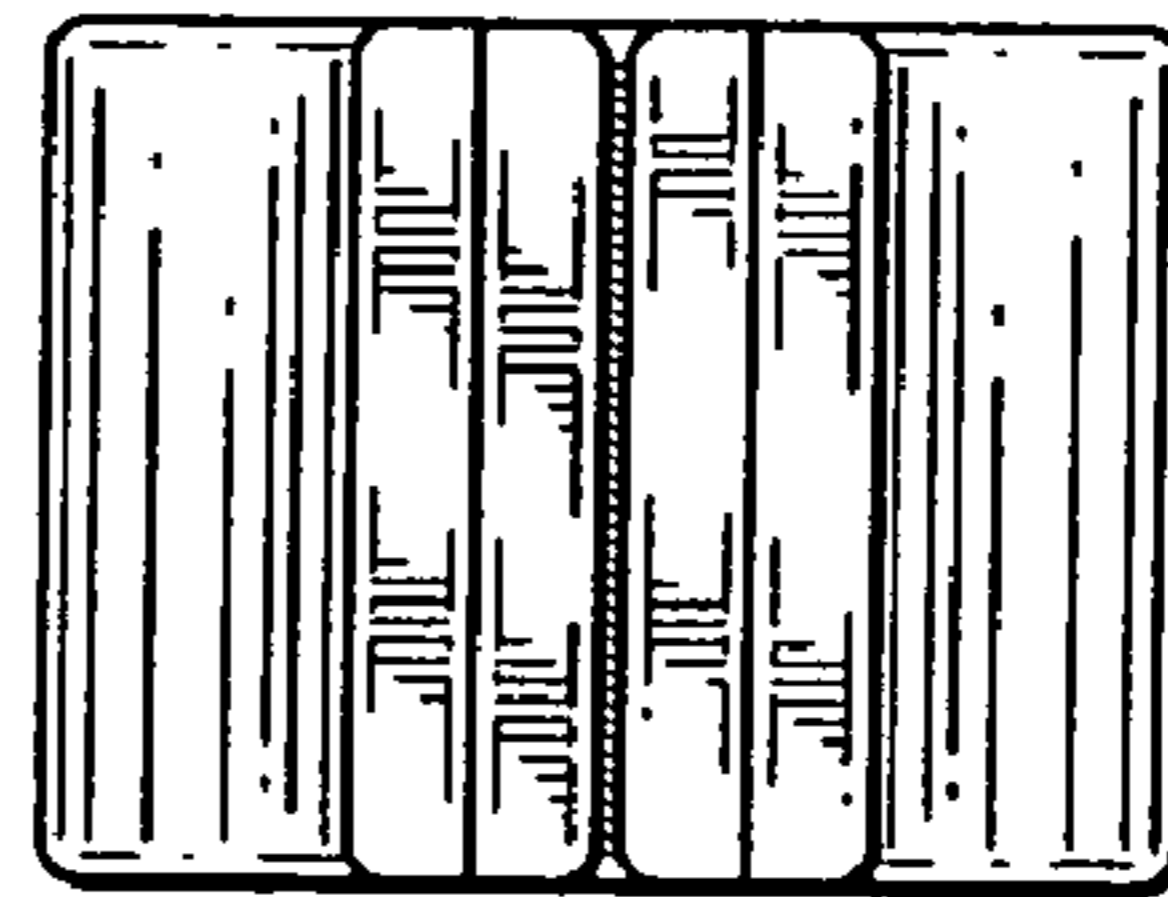


FIG. 4

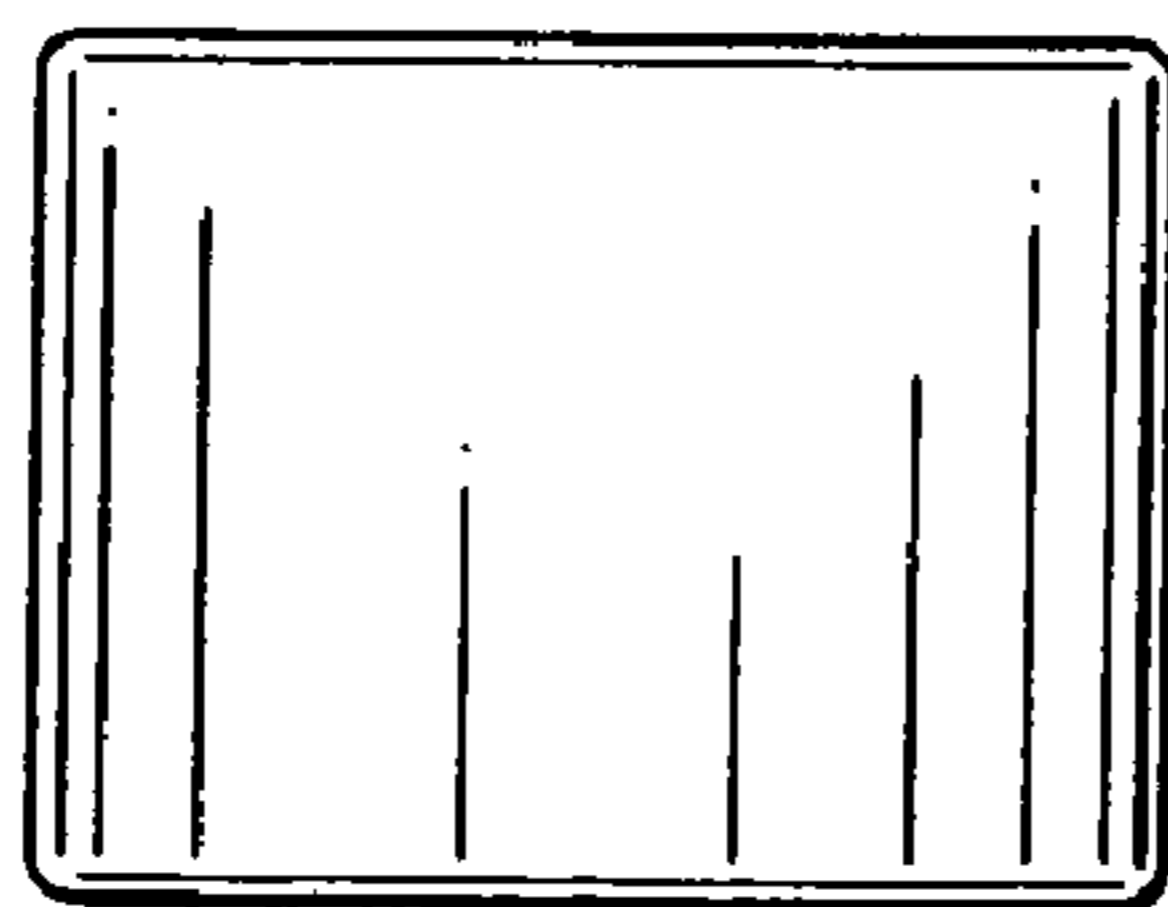


FIG. 5

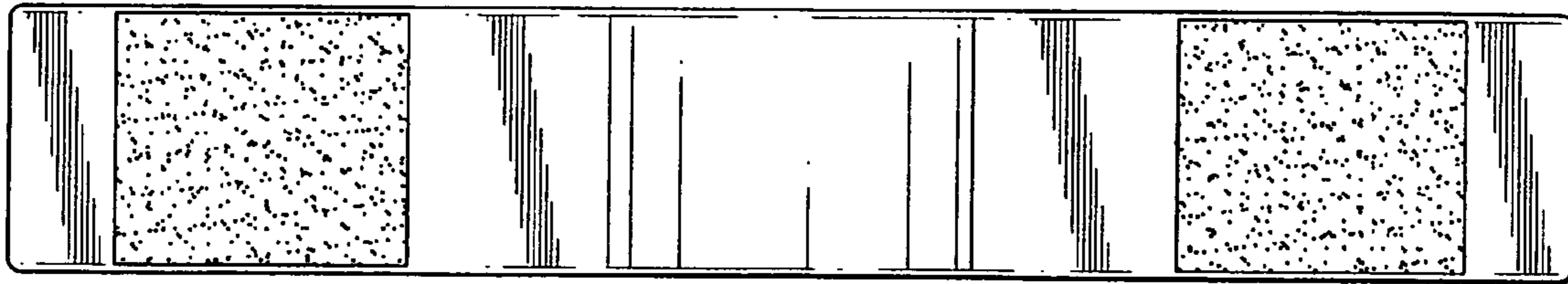


FIG. 6



FIG. 7

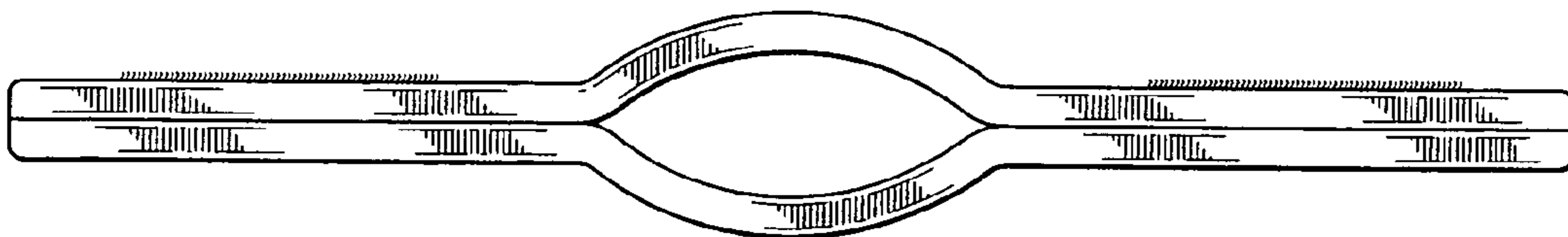


FIG. 8

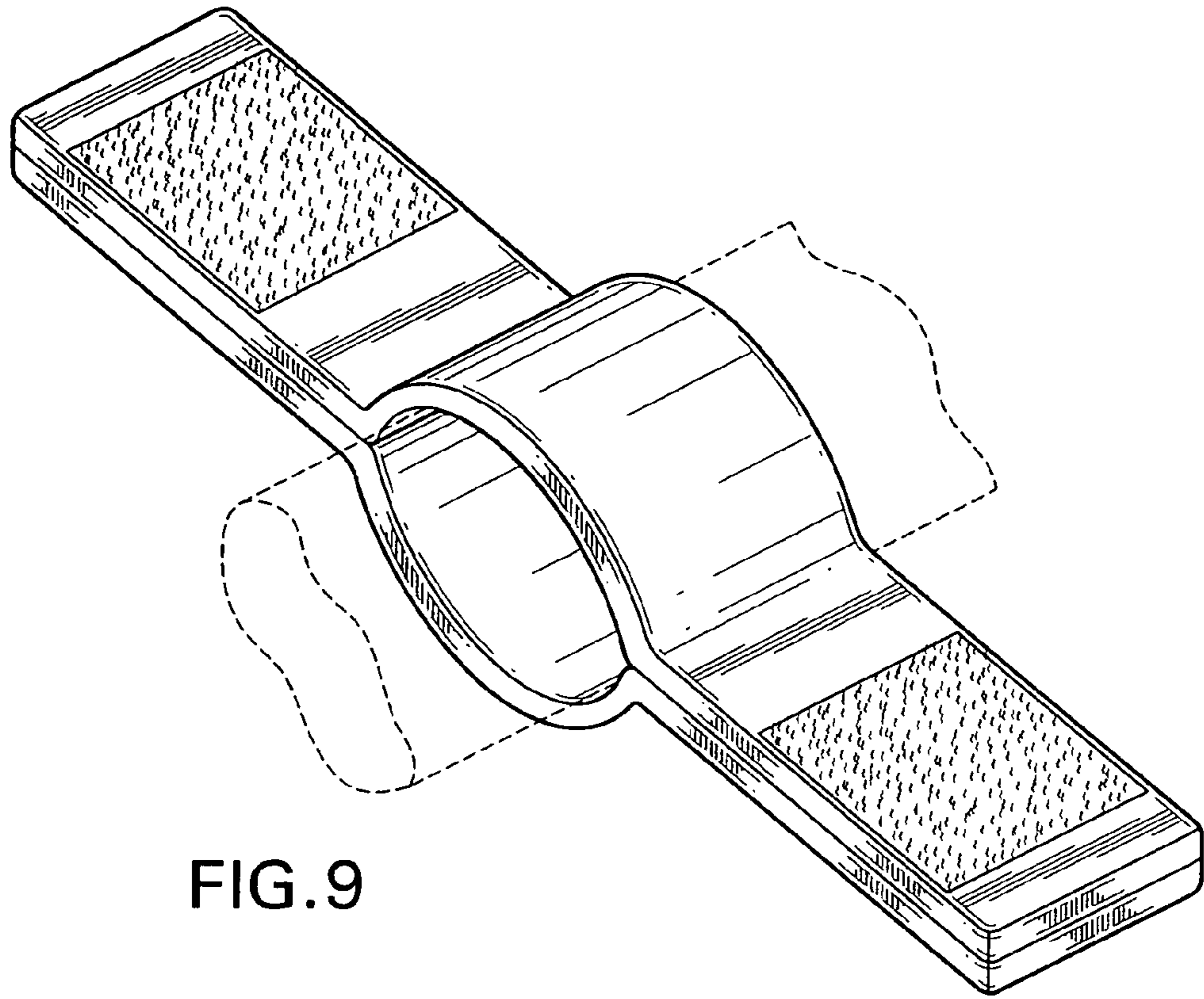


FIG. 9

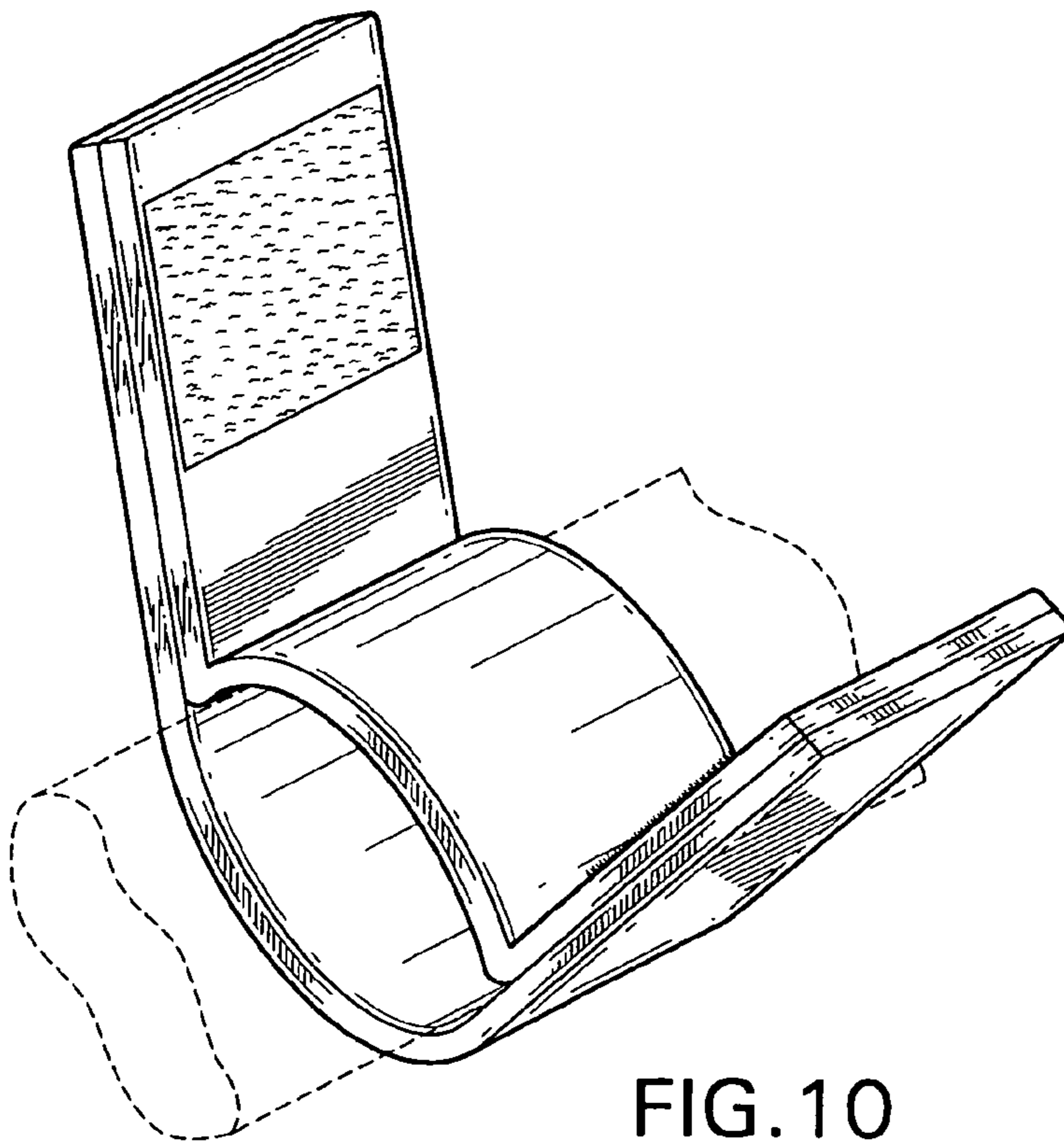


FIG. 10

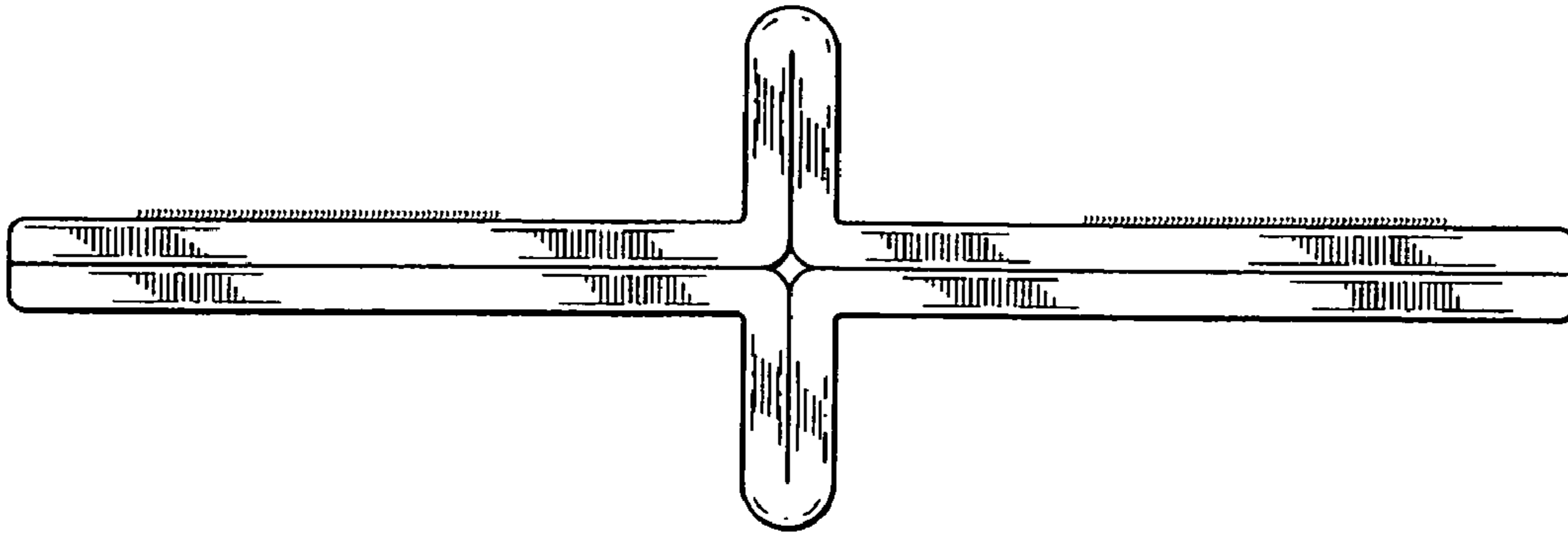


FIG. 11

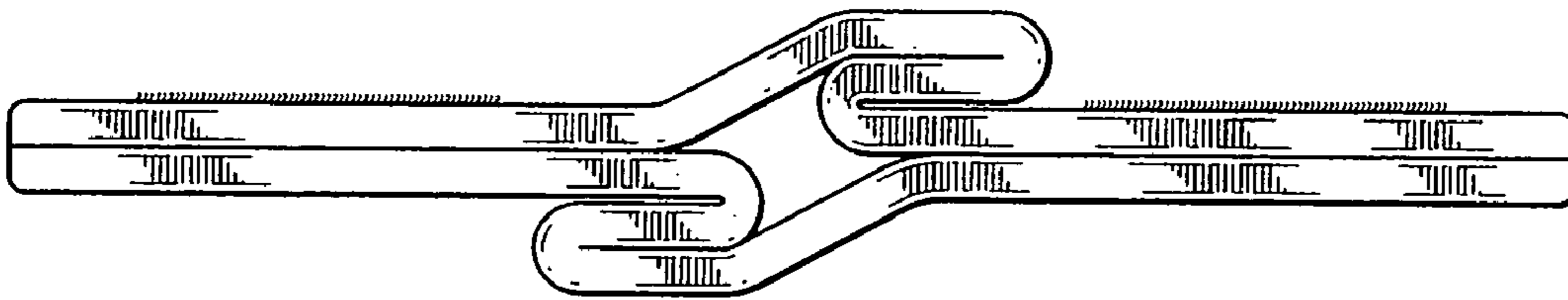


FIG. 12

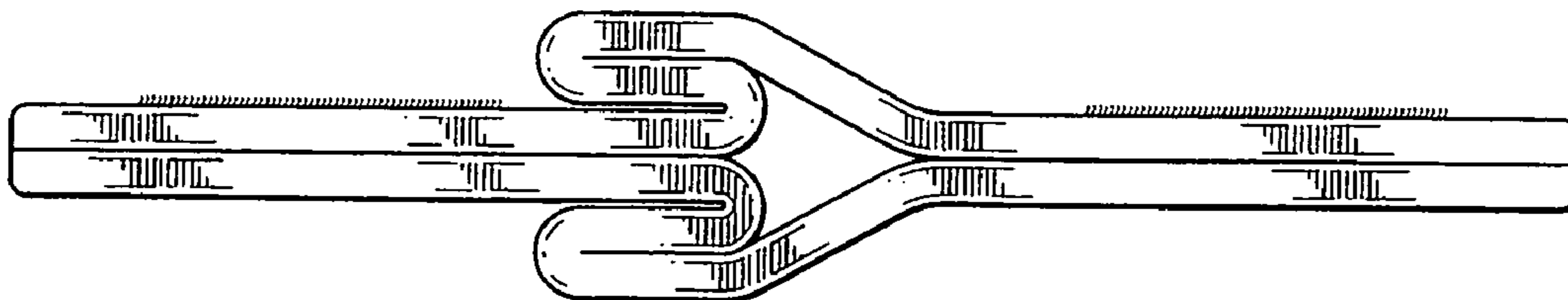


FIG. 13