

US00D549344S

(12) **United States Design Patent**
Eckman

(10) **Patent No.:** **US D549,344 S**

(45) **Date of Patent:** **** Aug. 21, 2007**

(54) **DISKECTOMY TOOL WITH CONVEX HEAD**

(75) Inventor: **Walter W. Eckman**, Tupelo, MS (US)

(73) Assignee: **Concept Matrix, LLC**, Orlando, FL (US)

(**) Term: **14 Years**

(21) Appl. No.: **29/248,329**

(22) Filed: **Aug. 10, 2006**

5,242,017 A	9/1993	Hailey	
5,403,276 A	4/1995	Schechter et al.	
5,445,639 A	8/1995	Kuslich et al.	
5,488,761 A *	2/1996	Leone	29/2.25
D374,081 S *	9/1996	Keller et al.	D24/200
5,620,453 A	4/1997	Nallakrishnan	
5,620,456 A	4/1997	Sauer et al.	
5,645,549 A	7/1997	Boyd et al.	
5,649,941 A *	7/1997	Lary	606/159
5,669,876 A	9/1997	Schechter et al.	
5,685,840 A	11/1997	Schechter et al.	
5,690,634 A *	11/1997	Muller et al.	606/80
5,697,944 A *	12/1997	Lary	606/159

Related U.S. Application Data

(63) Continuation-in-part of application No. 11/135,219, filed on May 23, 2005, which is a continuation-in-part of application No. 10/731,288, filed on Dec. 9, 2003, now Pat. No. 6,939,351, which is a continuation of application No. 10/345,525, filed on Jan. 16, 2003, now Pat. No. 6,726,690.

(51) **LOC (8) Cl.** **24-02**

(52) **U.S. Cl.** **D24/171**

(58) **Field of Classification Search** D24/146,
D24/147, 171; 606/60-62, 63, 69, 73, 80,
606/81, 167, 170

See application file for complete search history.

(56) **References Cited**

U.S. PATENT DOCUMENTS

3,702,611 A	11/1972	Fishbein	
3,967,377 A	7/1976	Wells	
4,349,921 A	9/1982	Kuntz	
4,473,076 A	9/1984	Williams et al.	
4,499,898 A	2/1985	Knepshield et al.	
4,884,569 A	12/1989	Fedorov et al.	
D331,464 S *	12/1992	Rosenberg et al.	D24/147
5,203,865 A	4/1993	Siepsner	
5,209,799 A	5/1993	Vigil	
5,224,945 A	7/1993	Pannek, Jr.	

(Continued)

Primary Examiner—Lou Zarfaz

Assistant Examiner—Anhdao Doan

(74) *Attorney, Agent, or Firm*—Akin Gump Strauss Hauer & Feld LLP

(57) **CLAIM**

The ornamental design for a diskectomy tool with convex head, as shown and described.

DESCRIPTION

FIG. 1 is a perspective view of a diskectomy tool with convex head according to the present invention;

FIG. 2 is a left side elevational view thereof;

FIG. 3 is a right side elevational view thereof;

FIG. 4 is a bottom plan view thereof;

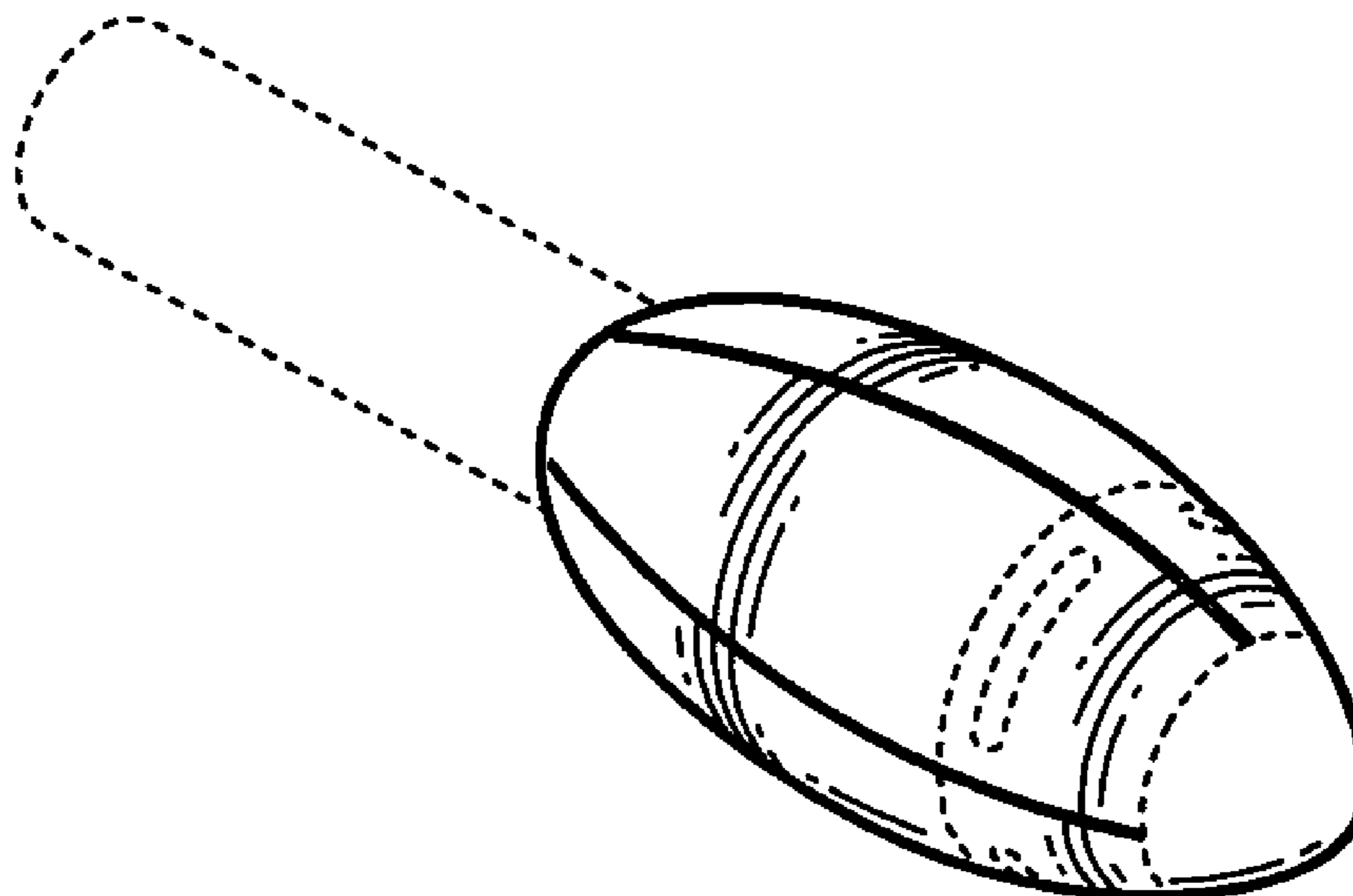
FIG. 5 is a top plan view thereof;

FIG. 6 is a rear elevation view thereof; and,

FIG. 7 is a front elevation view thereof.

The broken lines in the figures are for illustrative purposes only and form no part of the claimed design.

1 Claim, 2 Drawing Sheets



US D549,344 S

Page 2

U.S. PATENT DOCUMENTS

5,797,939	A	8/1998	Yoon	6,332,886	B1 *	12/2001	Green et al.	606/80
5,827,305	A	10/1998	Gordon	6,364,886	B1 *	4/2002	Sklar	606/80
5,833,692	A	11/1998	Cesarini et al.	6,383,188	B2	5/2002	Kuslich et al.	
5,853,054	A	12/1998	McGarian et al.	6,416,526	B1 *	7/2002	Wyzgala et al.	606/170
5,885,292	A	3/1999	Moskovitz et al.	6,436,119	B1 *	8/2002	Erb et al.	606/198
5,908,432	A	6/1999	Pan	6,596,005	B1 *	7/2003	Kanz et al.	606/159
5,928,239	A	7/1999	Mirza	6,783,533	B2	8/2004	Green et al.	
5,935,144	A	8/1999	Estabrook	2002/0138078	A1	9/2002	Chappuis	
6,022,362	A	2/2000	Lee et al.	2006/0264945	A1 *	11/2006	Edidin et al.	606/63
6,171,312	B1	1/2001	Beaty					

* cited by examiner

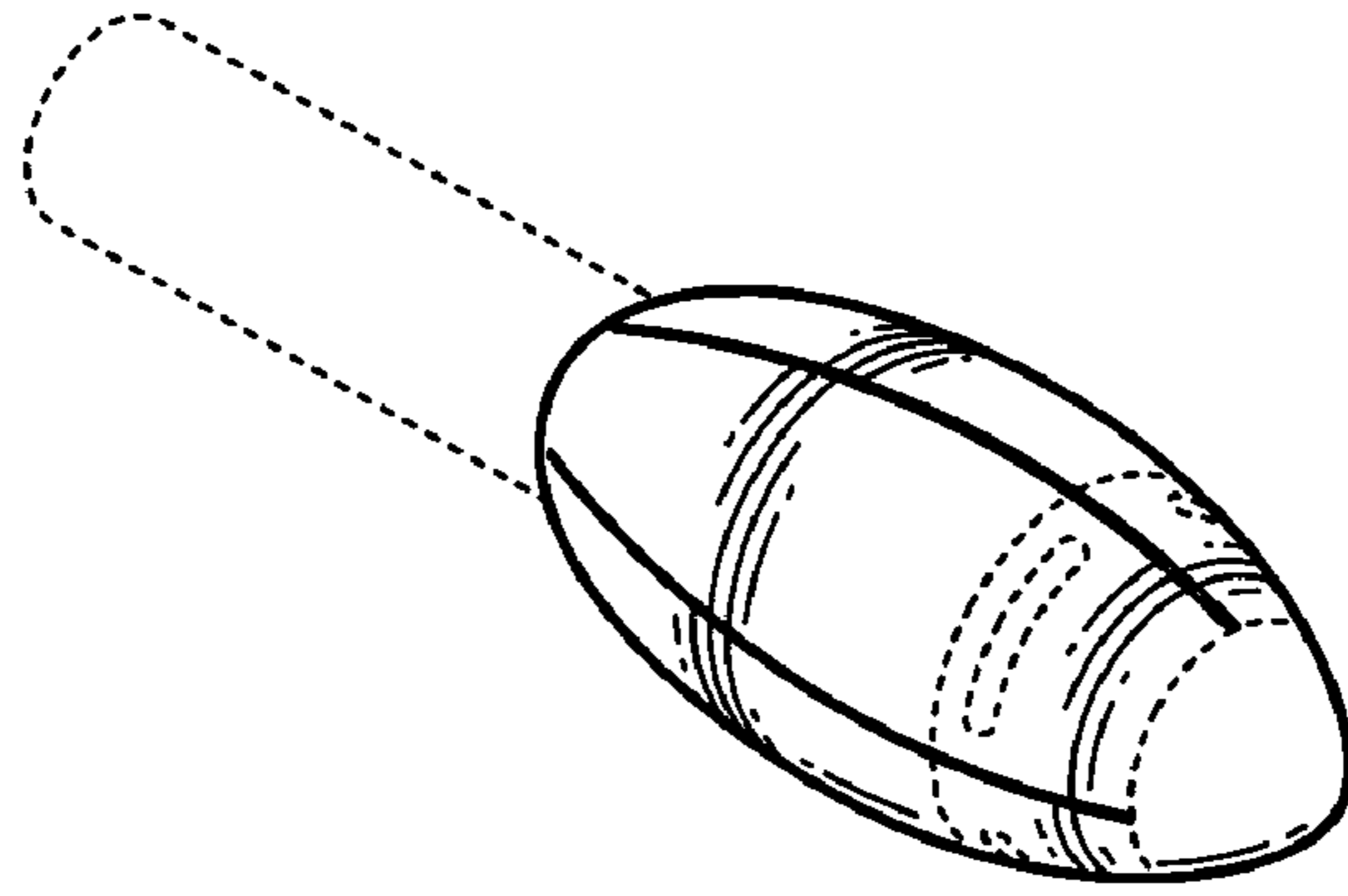


FIG. 1

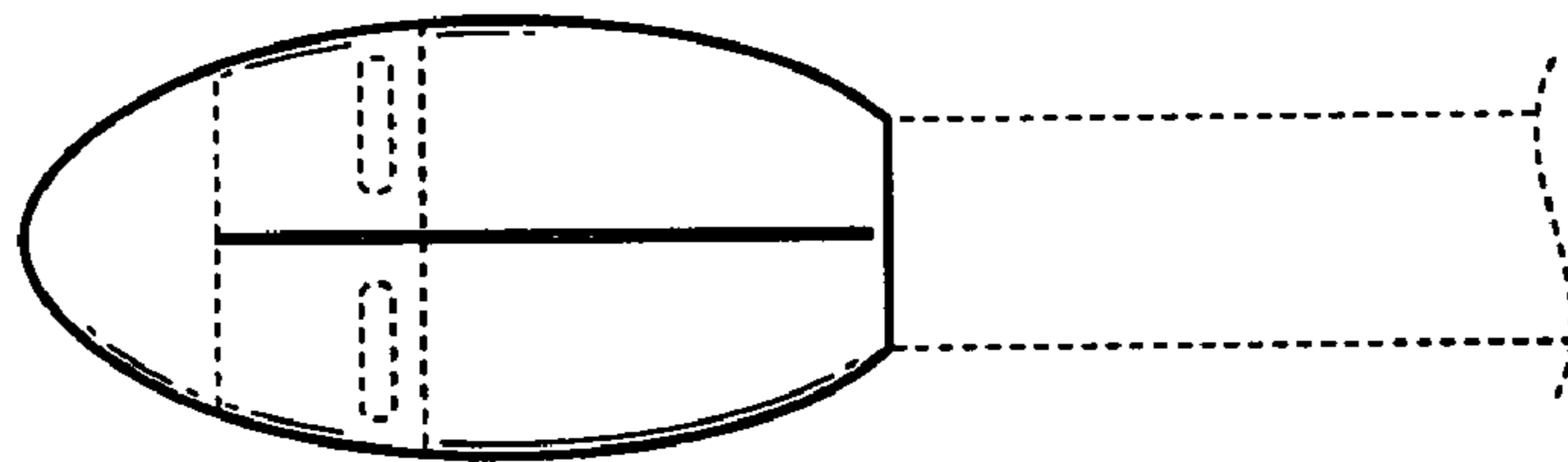


FIG. 2

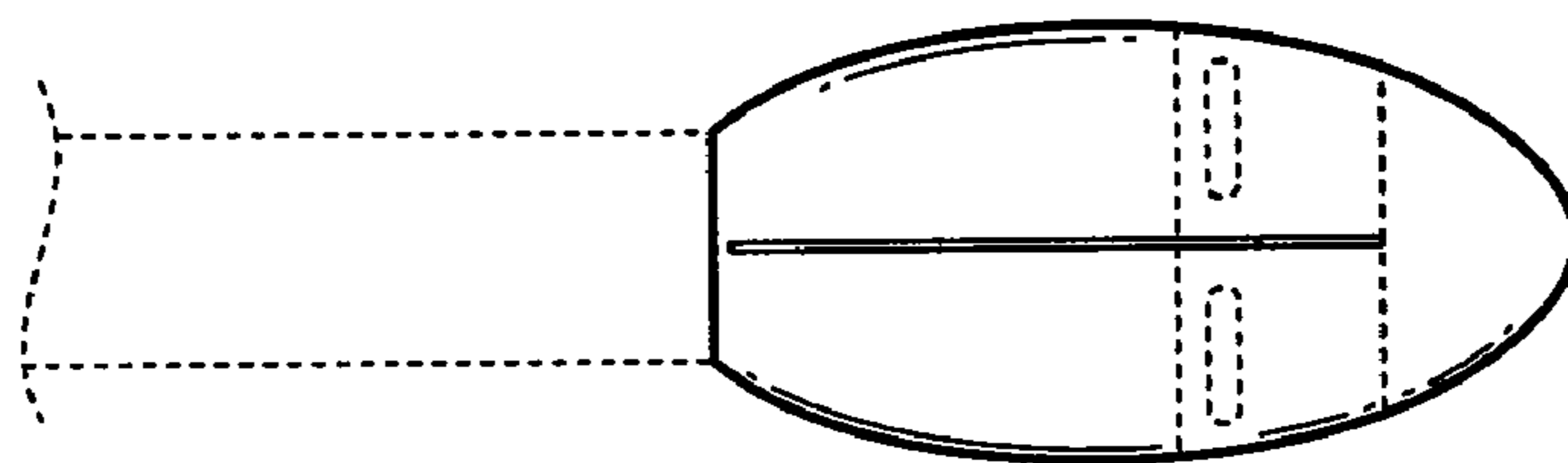


FIG. 3

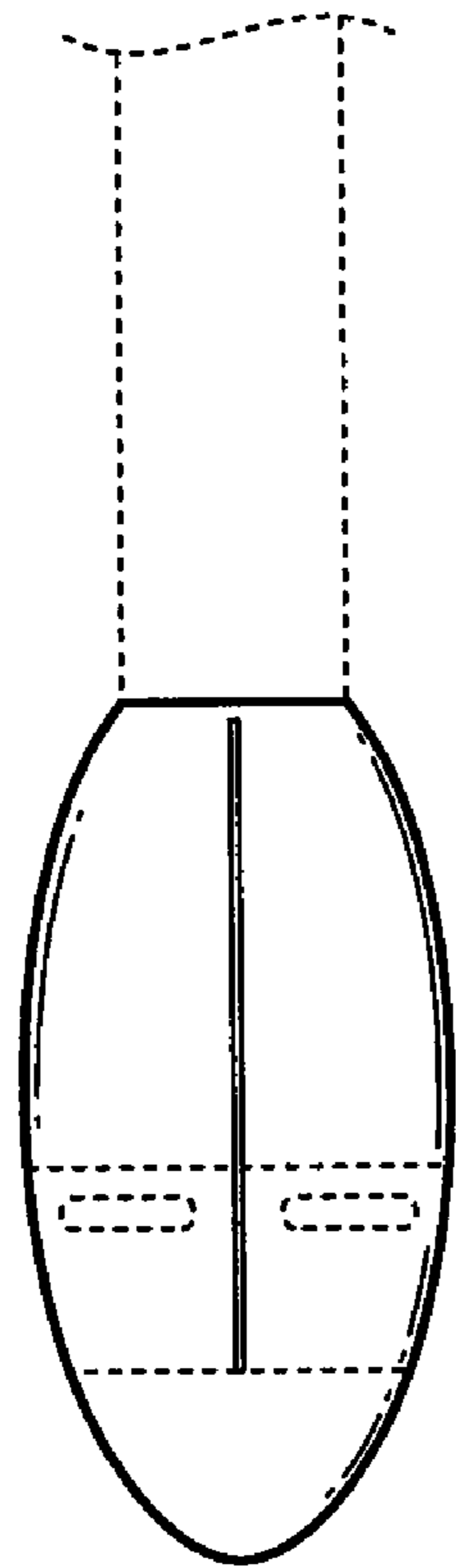


FIG. 4

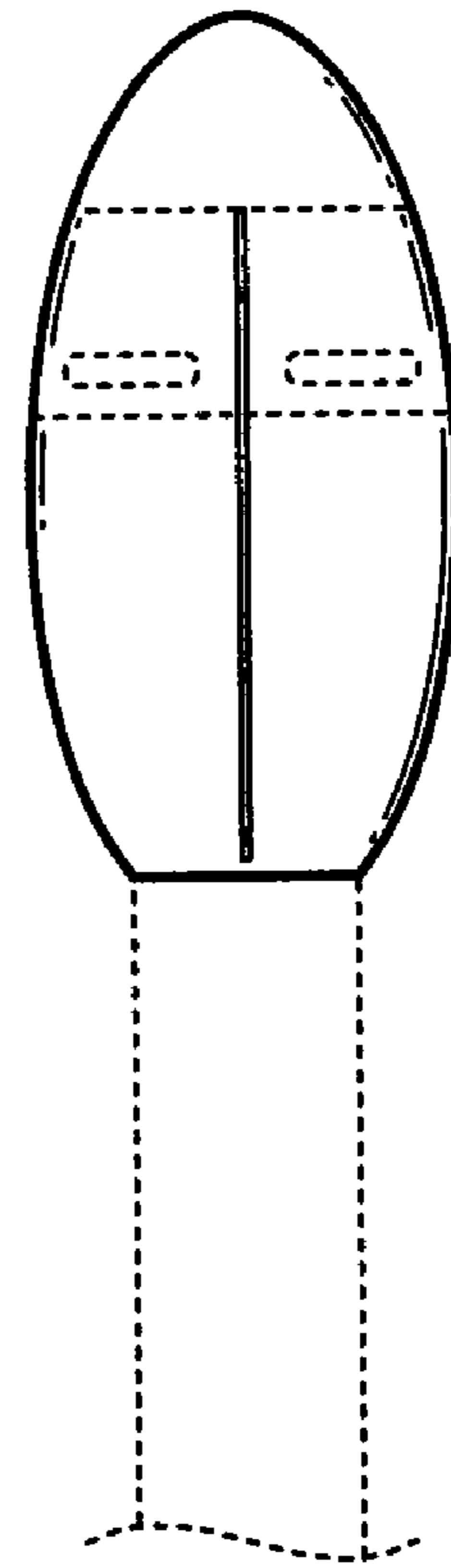


FIG. 5

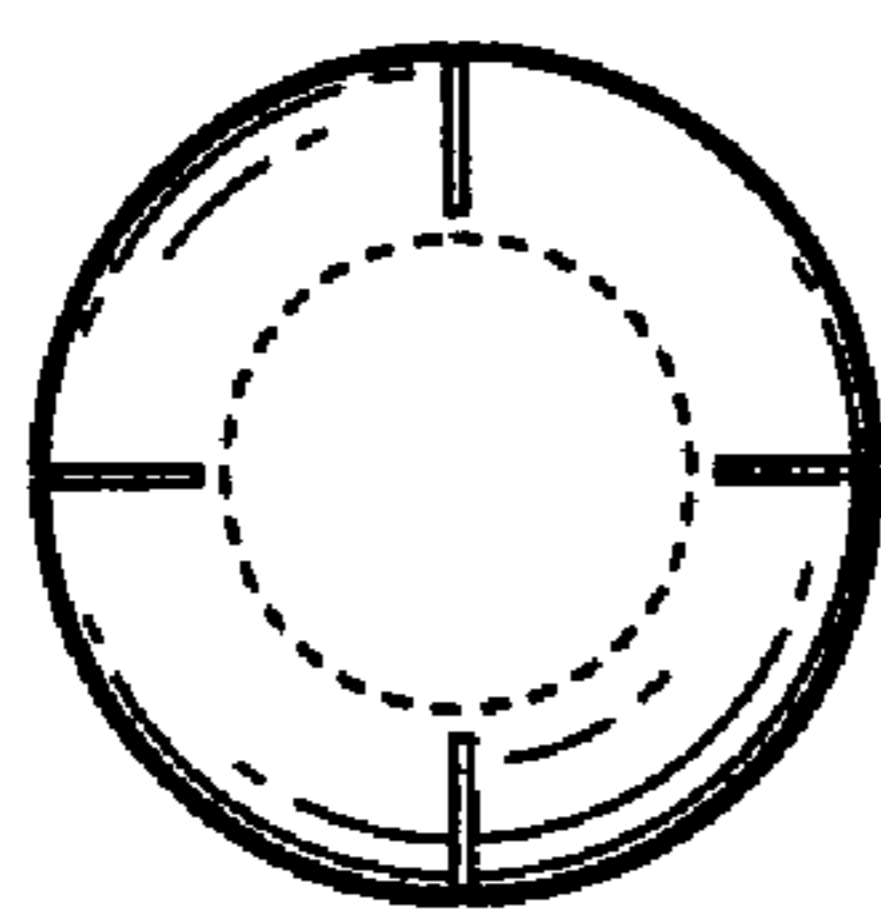


FIG. 6

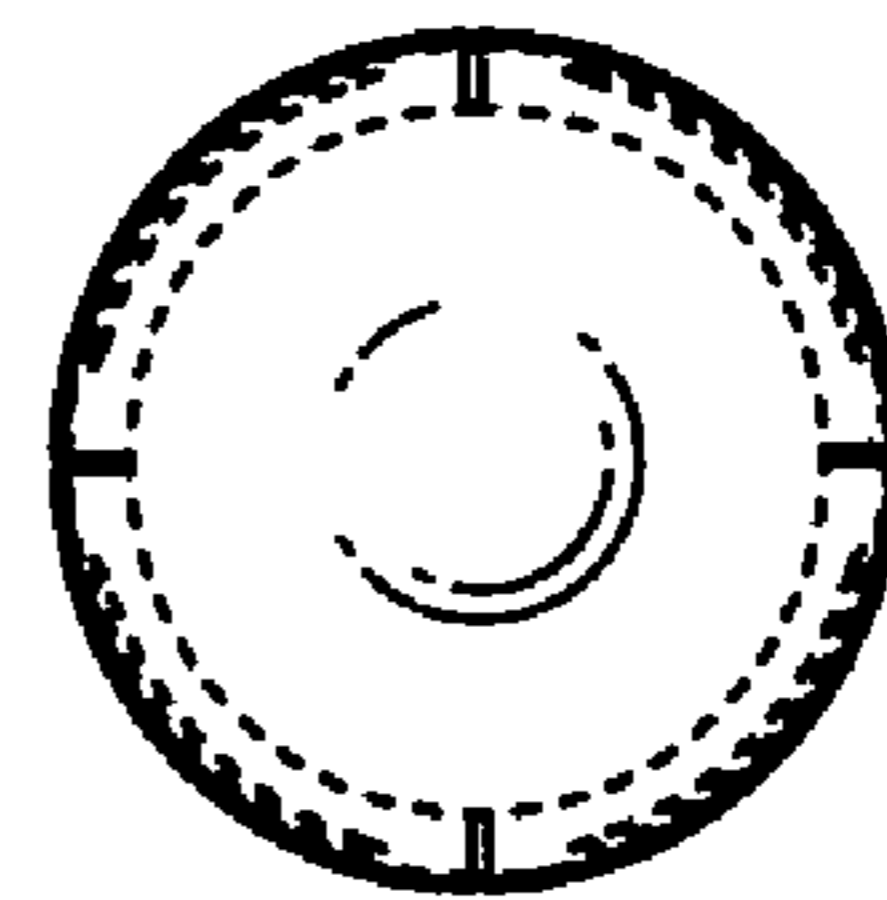


FIG. 7